



US00D786535S

(12) **United States Design Patent**
Grosse

(10) **Patent No.:** **US D786,535 S**

(45) **Date of Patent:** **** May 16, 2017**

(54) **SPORTS GARMENT**

(71) Applicant: **Stefani Grosse**, London (GB)

(72) Inventor: **Stefani Grosse**, London (GB)

(**) Term: **14 Years**

(21) Appl. No.: **29/509,318**

(22) Filed: **Nov. 17, 2014**

(51) **LOC (10) Cl.** **02-02**

(52) **U.S. Cl.**
USPC **D2/738**

(58) **Field of Classification Search**
USPC D2/711-717, 731-738, 742, 748, 857,
D2/728, 860-864

CPC .. A41D 1/08; A41D 1/06; A41B 11/00; A63B
71/12; A63B 71/1216

See application file for complete search history.

(56) **References Cited**

U.S. PATENT DOCUMENTS

3,871,030	A	3/1975	Green	
4,301,549	A *	11/1981	Ingram	A63B 47/001 2/250
D313,692	S *	1/1991	Karn	D2/738
5,182,815	A	2/1993	Young	
5,598,586	A *	2/1997	Munjone	A41D 1/08 2/228
6,363,538	B1 *	4/2002	Davis	A41D 27/202 2/238
6,789,270	B1 *	9/2004	Pedrick	A41D 7/005 2/228
D518,277	S *	4/2006	Collier	D2/738
D525,765	S *	8/2006	Arensdorf	D2/712

D546,029	S *	7/2007	Rindle	D2/738
D597,281	S *	8/2009	Young	D2/738
7,832,022	B1 *	11/2010	Peters	A41D 1/08 2/227
D673,347	S *	1/2013	Sumpton	D2/738
D674,166	S *	1/2013	Wilson	D2/738
2009/0300818	A1	12/2009	Waite et al.	
2010/0180361	A1	7/2010	Marois et al.	

FOREIGN PATENT DOCUMENTS

WO 2008116102 A1 9/2008

* cited by examiner

Primary Examiner — Holly Baynham

Assistant Examiner — Rashida C Walshon

(74) *Attorney, Agent, or Firm* — Perry Hoffman

(57) **CLAIM**

The ornamental design for sports garment, as shown and described.

DESCRIPTION

FIG. 1 is a rear perspective view of a first embodiment of a sports garment;

FIG. 2 is a front view of the first embodiment of the sports garment;

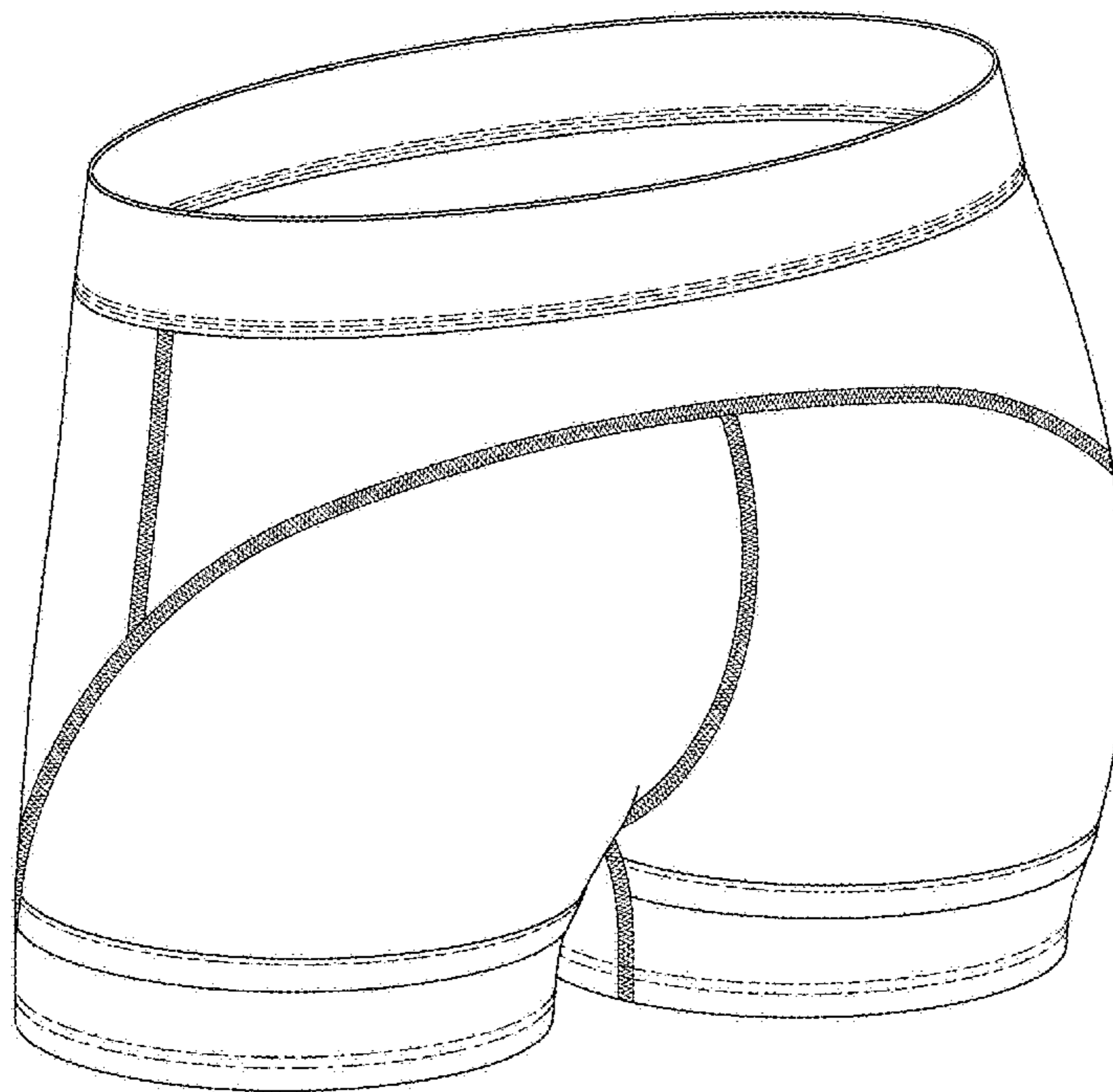
FIG. 3 is a rear view of the first embodiment of the sports garment;

FIG. 4 is a first side view of the first embodiment of the sports garment; and,

FIG. 5 is a second side view of the first embodiment of the sports garment.

The dash dot dash lines in the drawings represent unclaimed stitching and form no part of the claim.

1 Claim, 5 Drawing Sheets



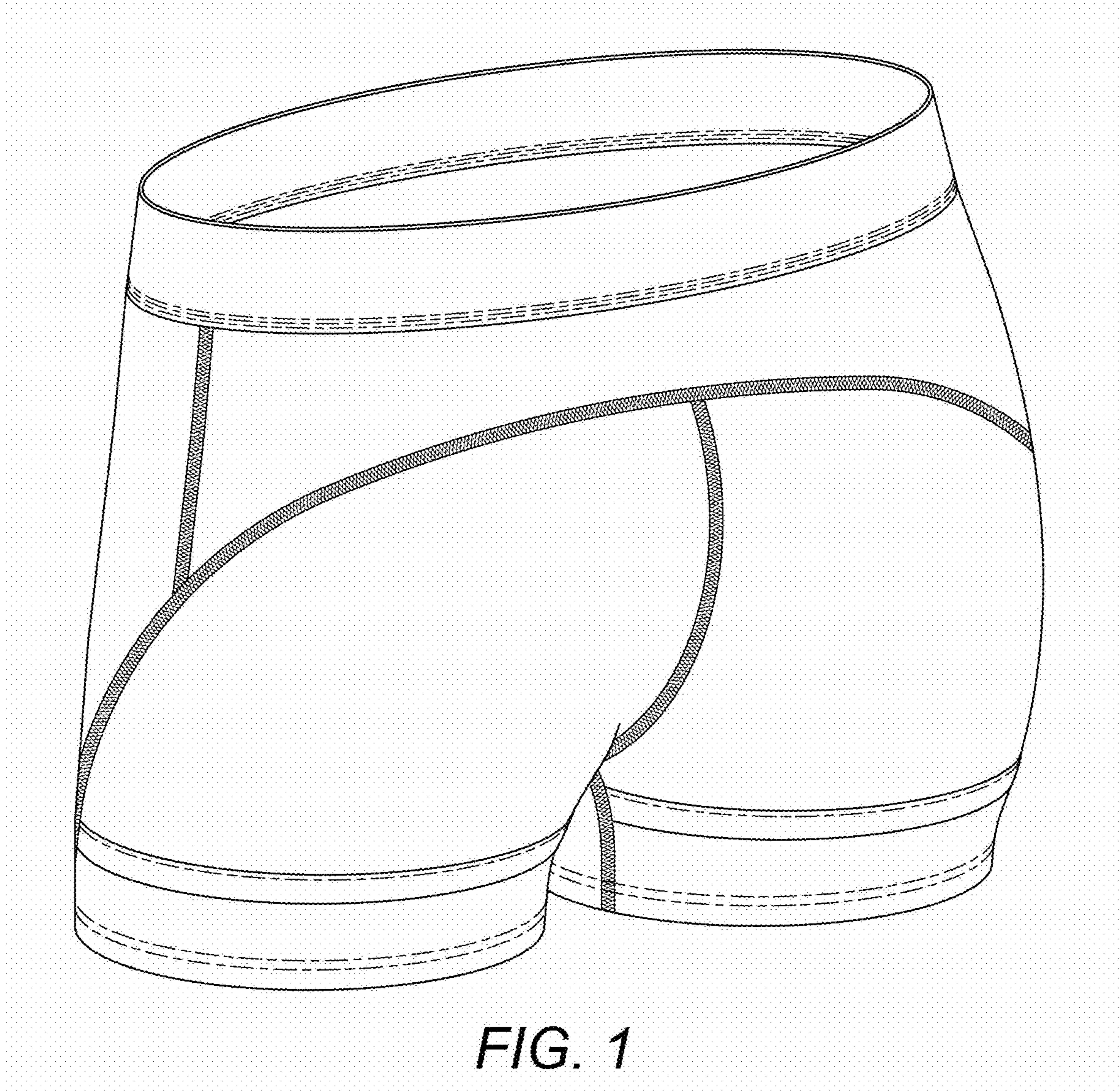


FIG. 1

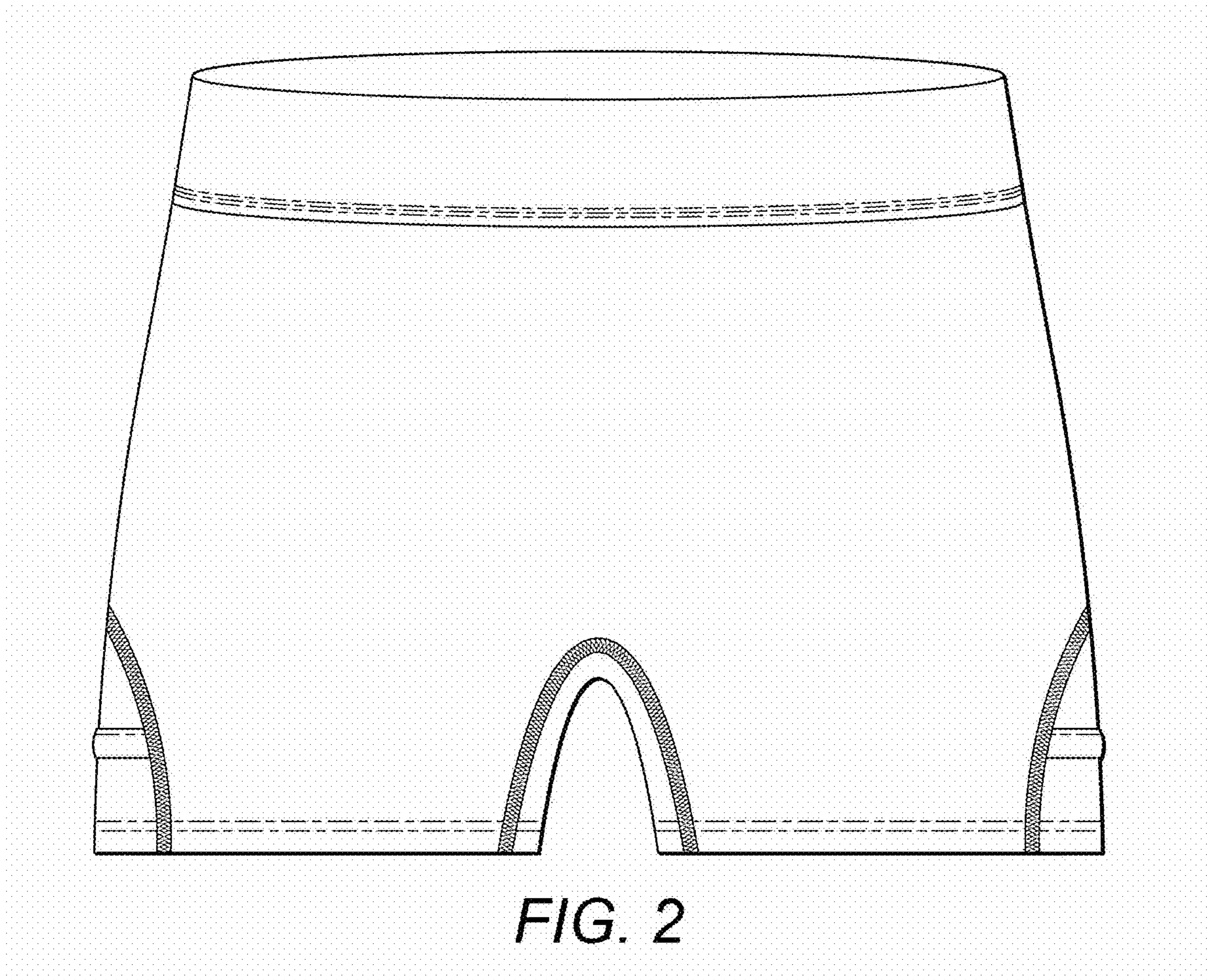
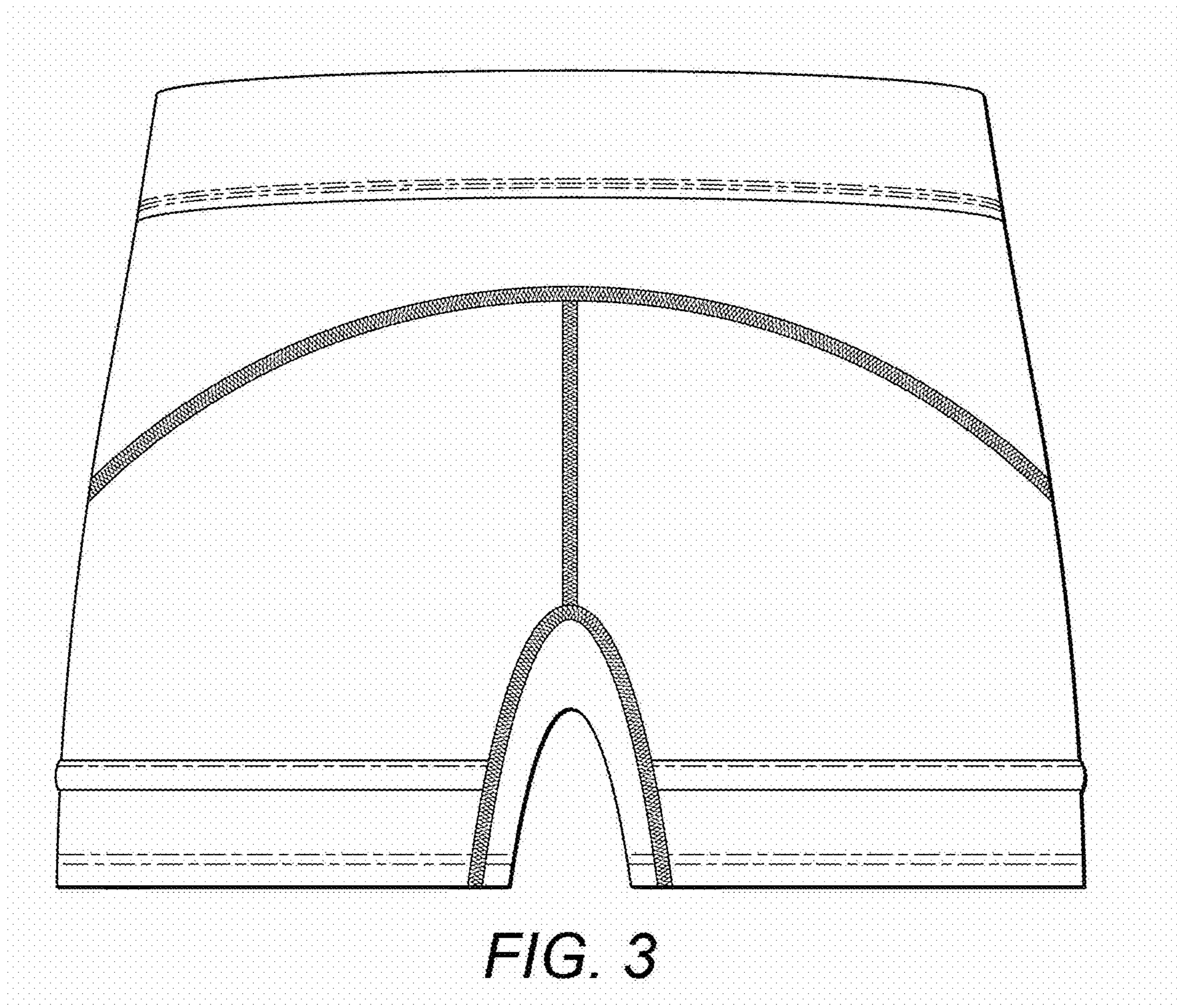


FIG. 2



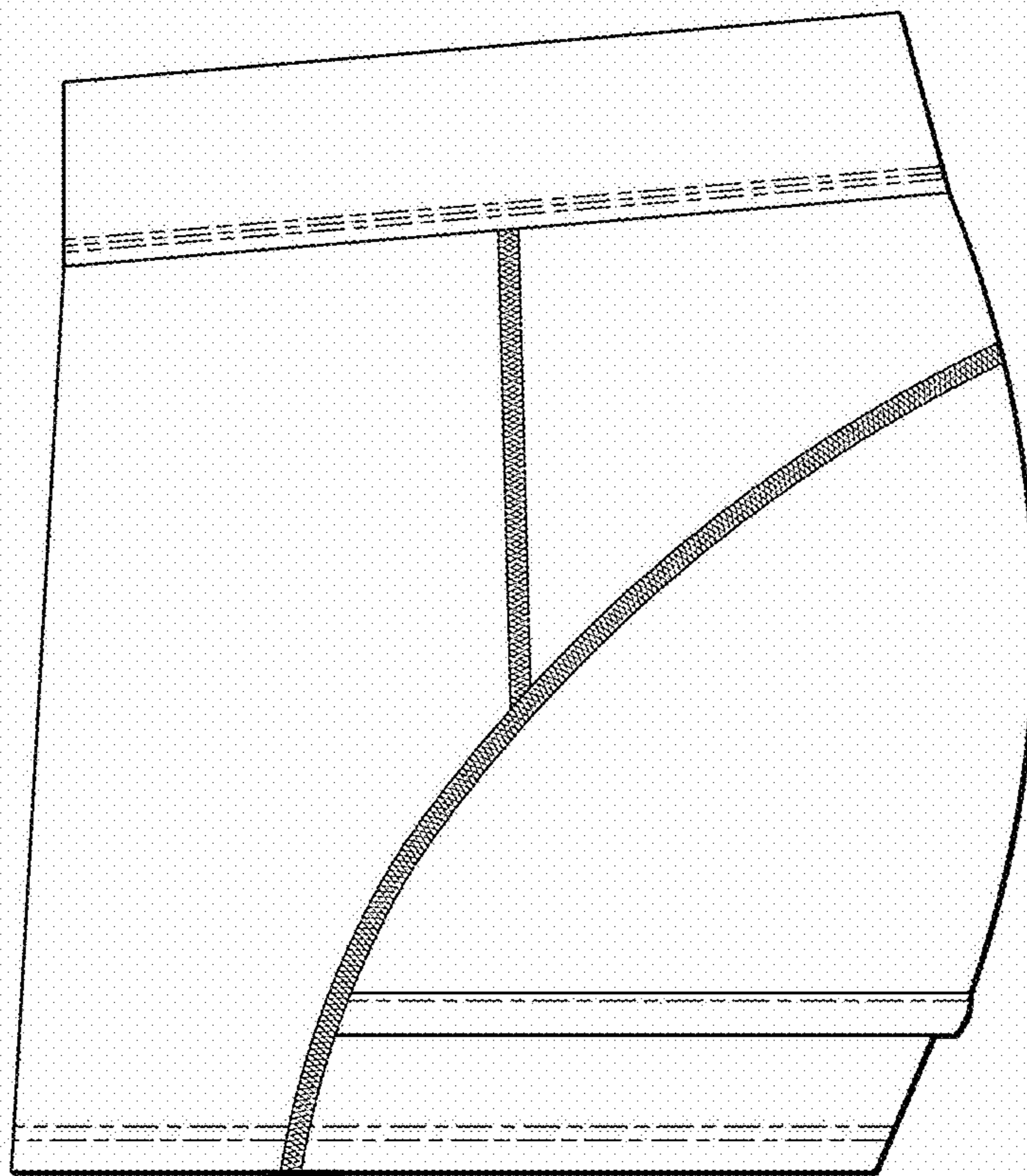


FIG. 4

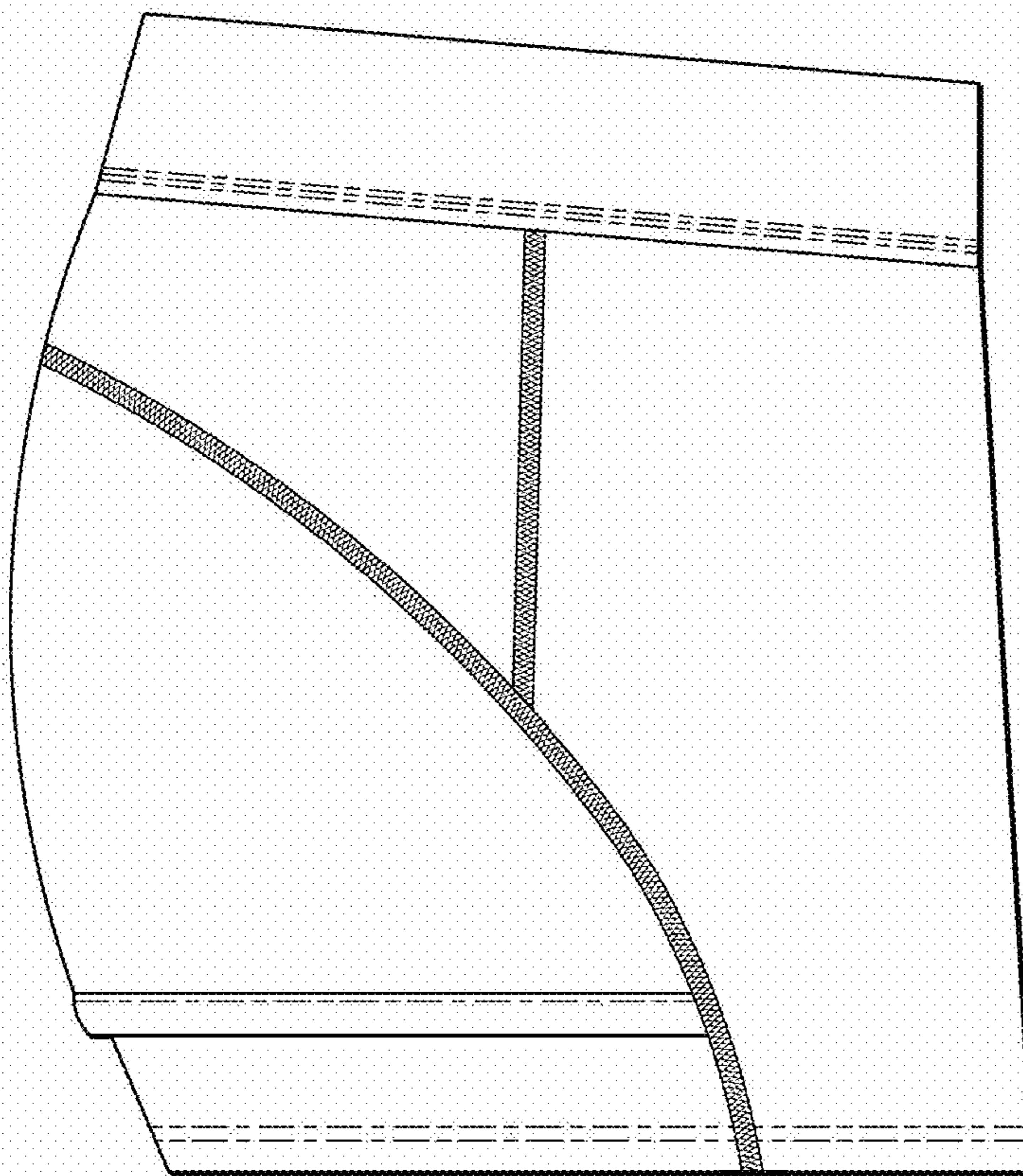


FIG. 5