

US00D786532S

(12) **United States Design Patent** (10) **Patent No.:** **US D786,532 S**  
**Carter et al.** (45) **Date of Patent:** **\*\* May 16, 2017**

(54) **BUNTING BAG**

(71) Applicant: **SKIP HOP, INC.**, New York, NY (US)

(72) Inventors: **Chelsea Carter**, Brooklyn, NY (US);  
**Rany Joo**, Hawthorne, NY (US); **Ellen  
Diamant**, New York, NY (US)

(73) Assignee: **SKIP HOP, INC.**, New York, NY (US)

(\*\*) Term: **15 Years**

(21) Appl. No.: **29/537,521**

(22) Filed: **Aug. 26, 2015**

(51) **LOC (10) Cl.** ..... **02-01**

(52) **U.S. Cl.**  
USPC ..... **D2/719**

(58) **Field of Classification Search**  
USPC ..... D2/719  
CPC ..... A47G 9/08; A41B 13/06  
See application file for complete search history.

(56) **References Cited**

**U.S. PATENT DOCUMENTS**

917,403	A	4/1909	Benger	
2,227,751	A *	1/1941	Idelman	A41B 13/06 2/114
2,621,331	A *	12/1952	Loretto	A41D 7/008 2/75
5,533,216	A	7/1996	Their	
D384,188	S *	9/1997	Imm	D2/718
6,012,184	A	1/2000	Childers	
6,012,189	A *	1/2000	Dudley	A47D 15/00 5/416

(Continued)

**FOREIGN PATENT DOCUMENTS**

DE	10017360	10/2001
EP	0095551	12/1983
GB	2483855	3/2012

**OTHER PUBLICATIONS**

Bundling Up—Best Stroller Footmuffs for 2015, posted at dailybabyfinds.com, earliest date available Jan. 5, 2015, [online], acquired on Nov. 1, 2016. Available from Internet, <URL: http://www.dailybabyfinds.com/2015/01/bundling-up-best-stroller-footmuffs-for.html>.\*

(Continued)

*Primary Examiner* — Cathron Brooks

*Assistant Examiner* — Aula Soroush

(74) *Attorney, Agent, or Firm* — Stephen J. Weyer, Esq.;  
Stites & Harbison, PLLC

(57) **CLAIM**

The ornamental design for a bunting bag, as shown and described.

**DESCRIPTION**

FIG. 1 is a perspective view taken from the front, left side and top side of the bunting bag of the present invention.

FIG. 2 is a front elevation view of the bunting bag of FIG. 1.

FIG. 3 is a rear elevation view of the bunting bag of FIG. 1.

FIG. 4 is a left side elevation view of the bunting bag of FIG. 1.

FIG. 5 is a right side elevation view of the bunting bag of FIG. 1.

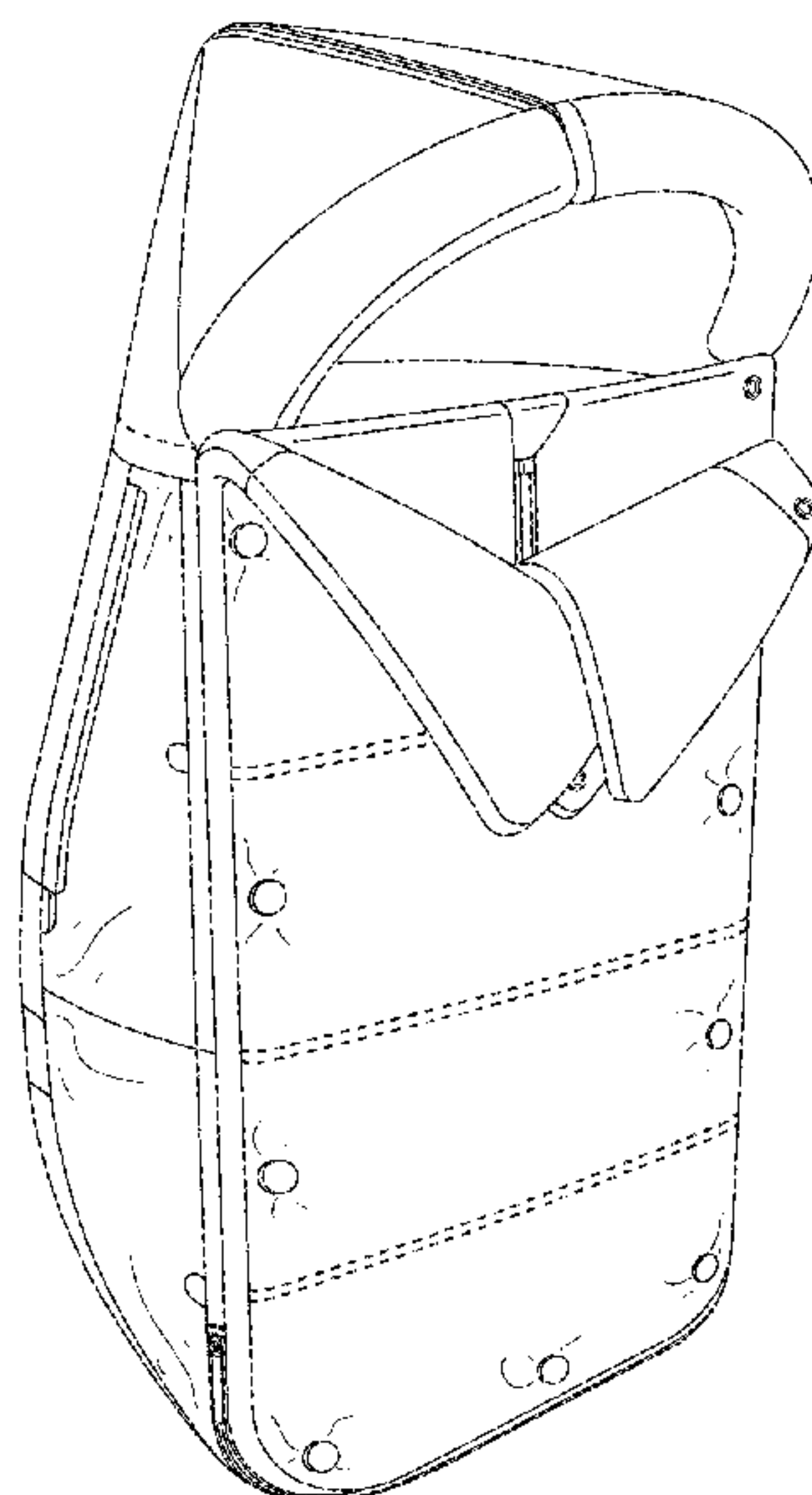
FIG. 6 is a top plan view of the bunting bag of FIG. 1.

FIG. 7 is a bottom plan view of the bunting bag of FIG. 1; and,

FIG. 8 is an exploded view of the bunting bag with its top cover removed, showing the opposite side of the blanket, and showing the remaining portion of the bunting bag.

Broken lines in FIGS. 1, 2, 4, 5 and 8 represent stitching, forming part of the claimed design.

**1 Claim, 7 Drawing Sheets**



(56)

References Cited

U.S. PATENT DOCUMENTS

6,055,686 A \* 5/2000 Knight ..... A47G 9/068  
2/69.5

6,056,355 A 5/2000 Klasser

6,338,173 B1 1/2002 Ramsey

6,394,543 B1 \* 5/2002 Dunne ..... B60N 2/2806  
297/219.12

6,557,192 B2 5/2003 Zheng

7,178,185 B1 \* 2/2007 Nattler ..... A41D 15/04  
2/84

7,431,395 B2 10/2008 Morgan et al.

7,650,655 B2 \* 1/2010 Narboni-Campora . A47G 9/083  
5/413 AM

7,967,378 B2 6/2011 Narboni-Campora

8,650,663 B2 \* 2/2014 Fair ..... A47G 9/068  
2/69.5

9,131,734 B2 \* 9/2015 Daugherty ..... A41B 13/06

9,226,626 B2 \* 1/2016 Sprague ..... A47K 10/02

2003/0079270 A1 \* 5/2003 Bailey ..... A41B 13/06  
2/69.5

2004/0217633 A1 \* 11/2004 Kassai ..... A47D 15/006  
297/219.12

2005/0200174 A1 9/2005 Morgan

2005/0246814 A1 \* 11/2005 Cooper ..... A47D 13/08  
2/111

2007/0061968 A1 \* 3/2007 Fader ..... A47G 9/083  
5/494

2008/0229499 A1 \* 9/2008 Narboni-Campora . A47G 9/068  
5/413 R

2008/0256705 A1 10/2008 Maguire

2009/0044337 A1 2/2009 McKee

2010/0242172 A1 \* 9/2010 Lijesen ..... A47G 9/0246  
5/413 R

2012/0284897 A1 11/2012 Fair et al.

OTHER PUBLICATIONS

Wallaboo—Footmuffs, posted at wallaboo.com, earliest date available Nov. 2, 2012, [online], acquired on Nov. 1, 2016. Available from Internet, <URL: <http://www.wallaboo.com/footmuffs.html>>.\*

7 A.M. Infant Le Sac Igloo Footmuff—Black—Small, posted at diapers.com, earliest date available Nov. 25, 2008, [online], acquired on Nov. 1, 2016. Available from Internet, <URL: <https://www.diapers.com/p/7-a-m-infant-le-sac-igloo-footmuff-black-7847>>.\*

“7 A.M. Infant Baby Shield, Small” <http://www.albeebabv.com/7-arn-infant-baby-shield-small-neon-lime.html> (Date of Access—Jul. 28, 2015).

“Four Seasons Footmuff” <http://shop.valcobaby.com/p/four-seasons-footmuff> (Date of Access—Jul. 28, 2015).

“Hippychick Newborn Footmuff” <http://www.amazon.co.uk/Hippychick-HCNEWFOOT001-Newborn-Footmuff-Black/dp/B00LE99Z52> (Date of Access—Jul. 28, 2015).

“Trends for Kids Fleece Foot Muff for Joggers and Twinners” <http://www.amazon.com/Trends-Kids-Fleece-Joggers-Twinners/dp/B00200HPWU> (Date of Access—Jul. 28, 2015).

“All Seasons Footmuff” <http://www.valcobaby.com/products/strollers/model/all-seasons-footmuff.html> (Date of Access—Nov. 24, 2014).

\* cited by examiner

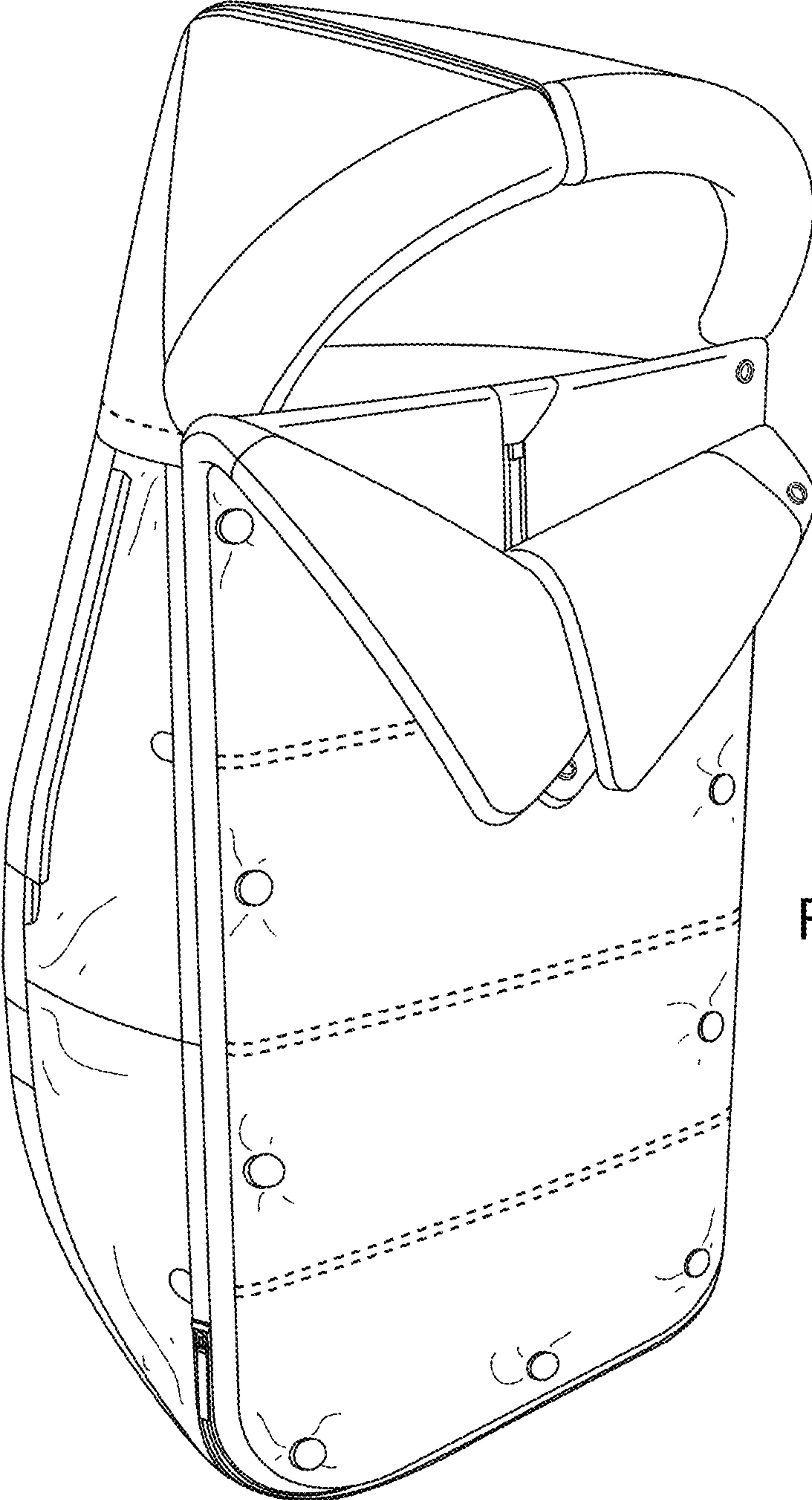


FIG. 1

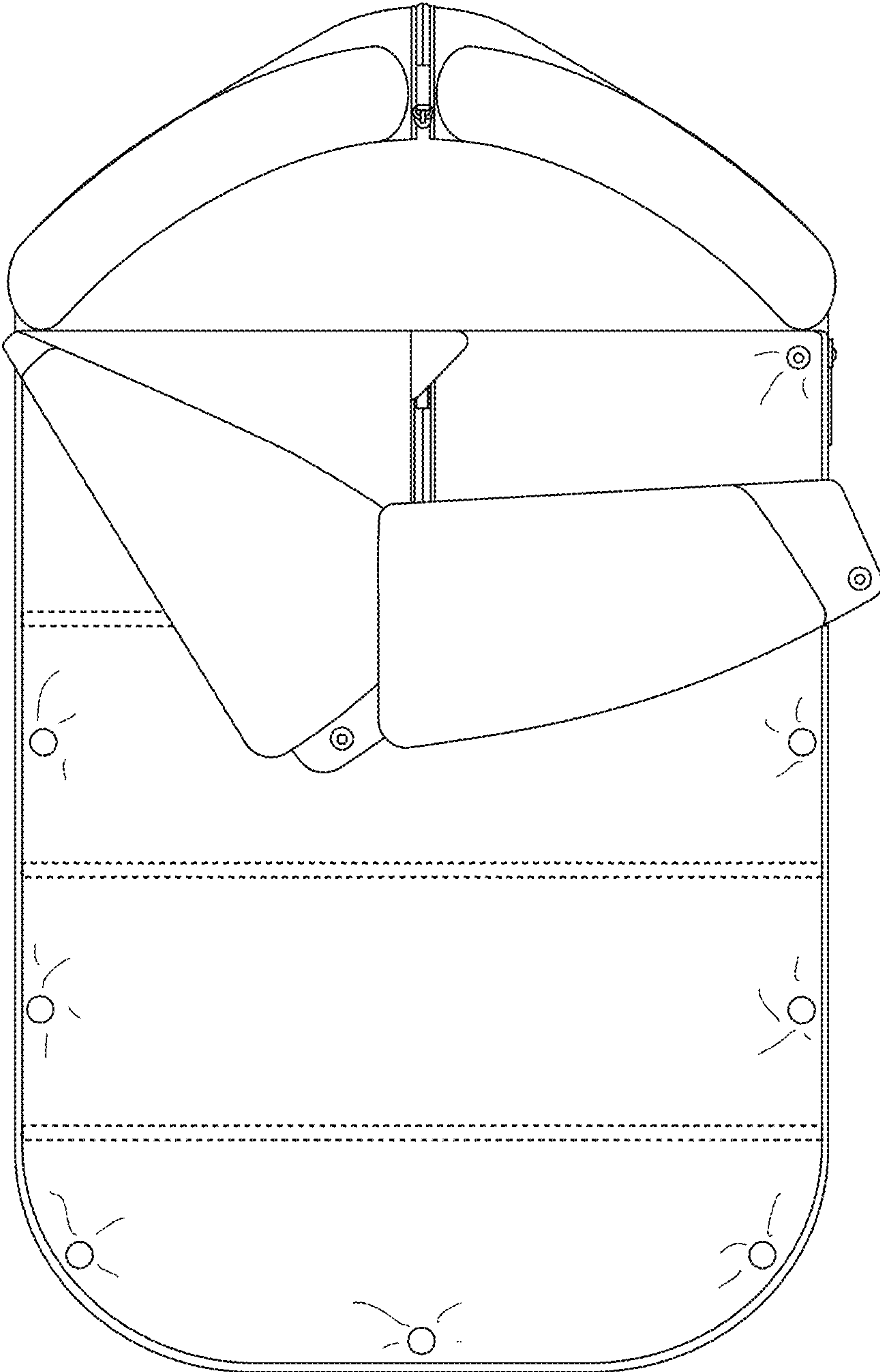


FIG. 2



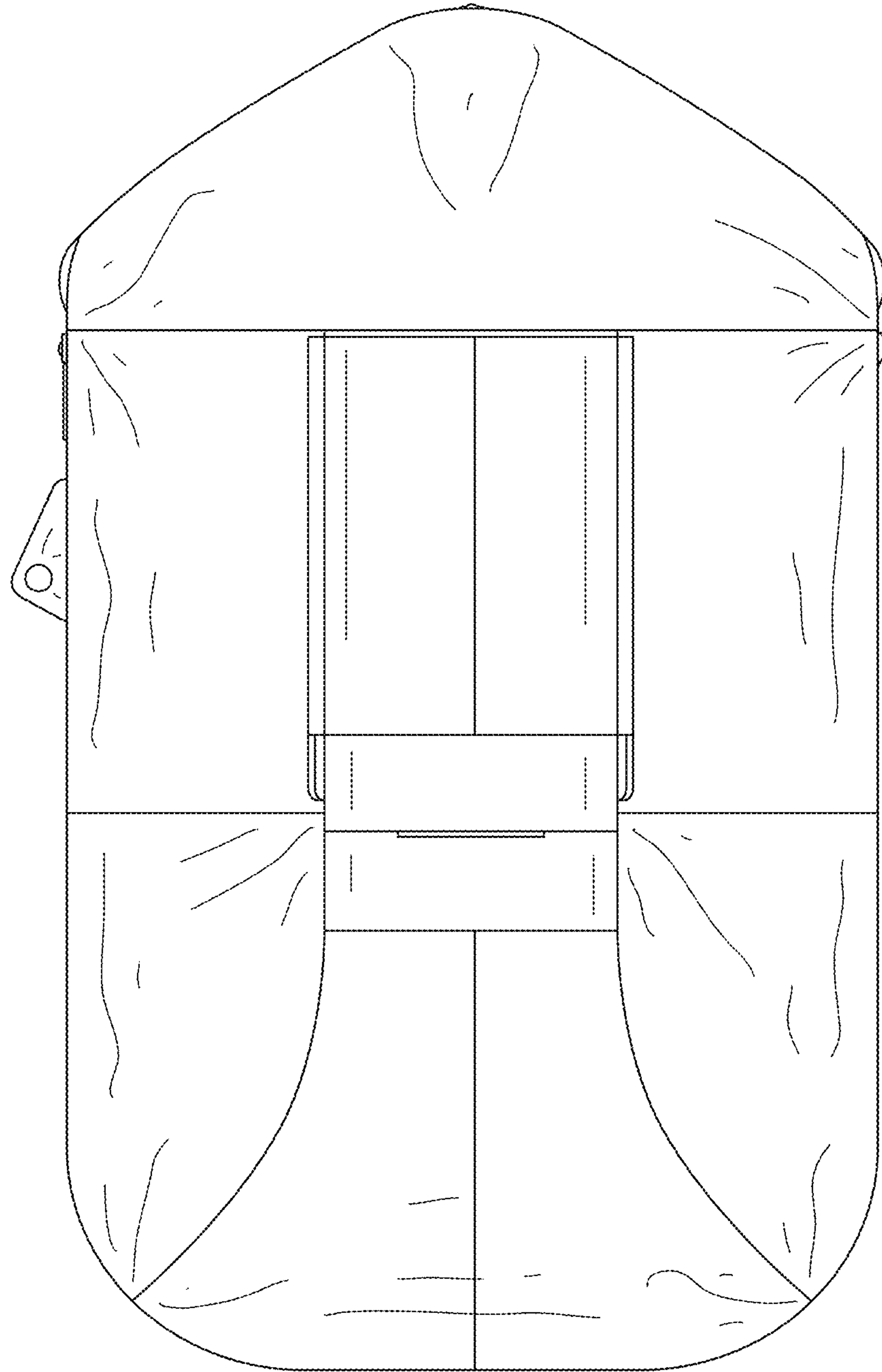


FIG. 3

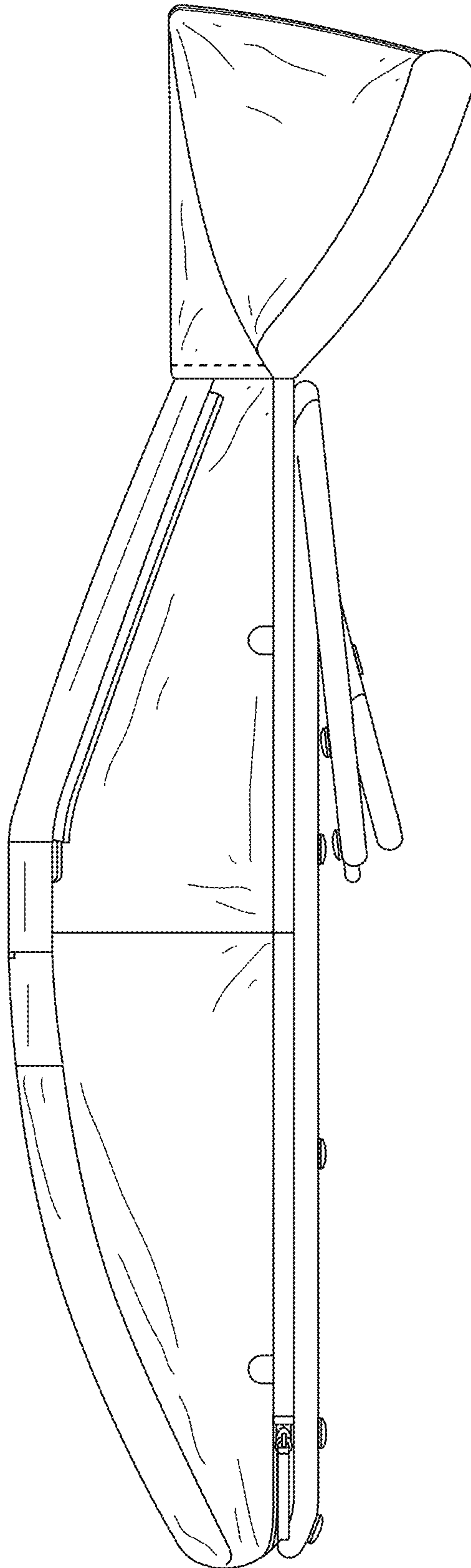


FIG. 4

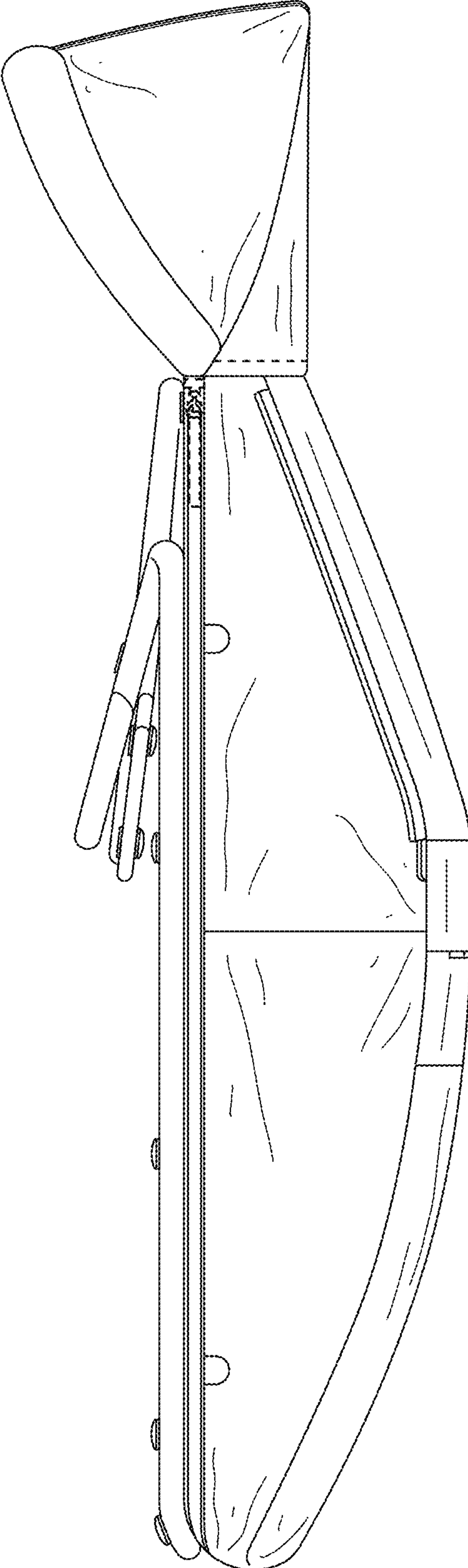


FIG. 5

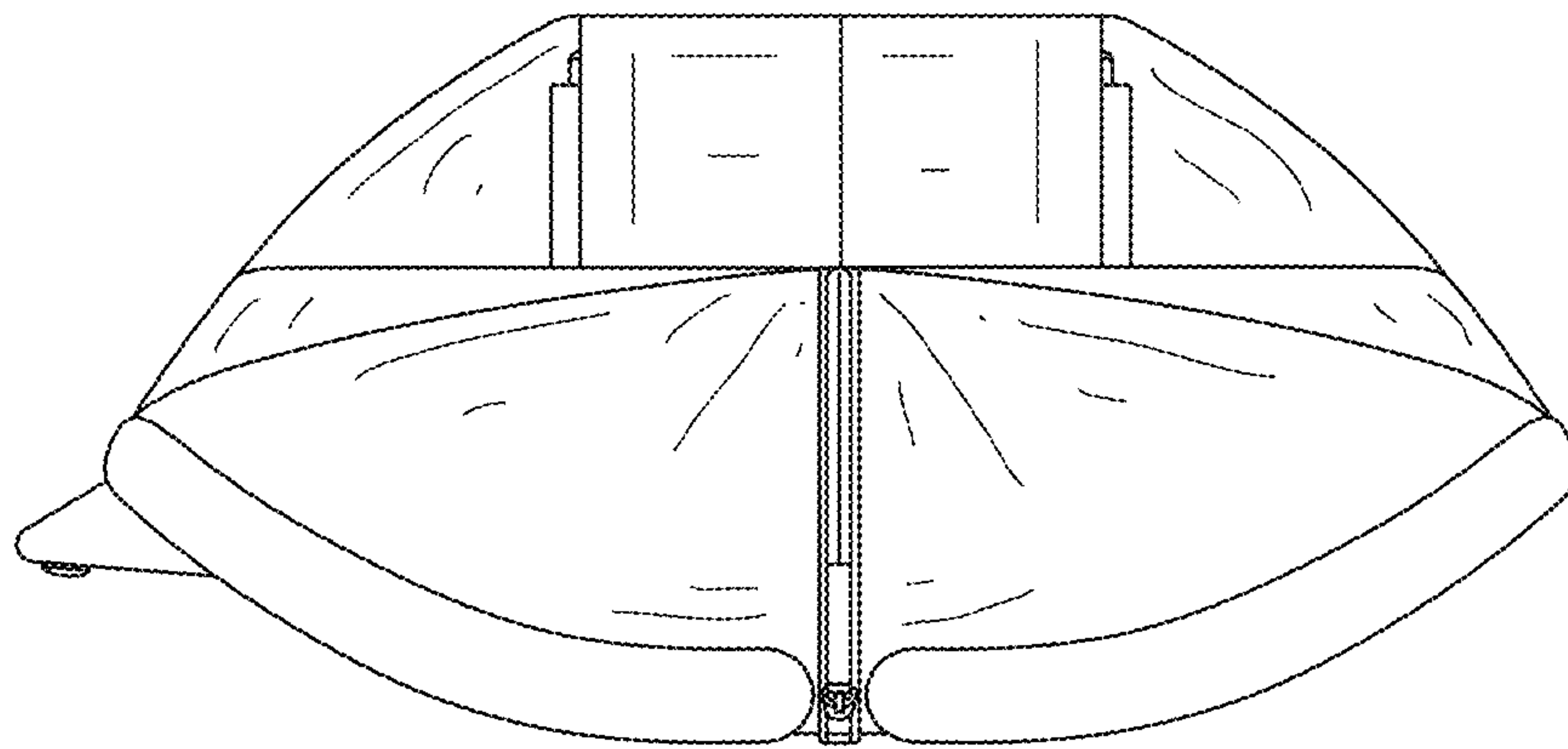


FIG. 6

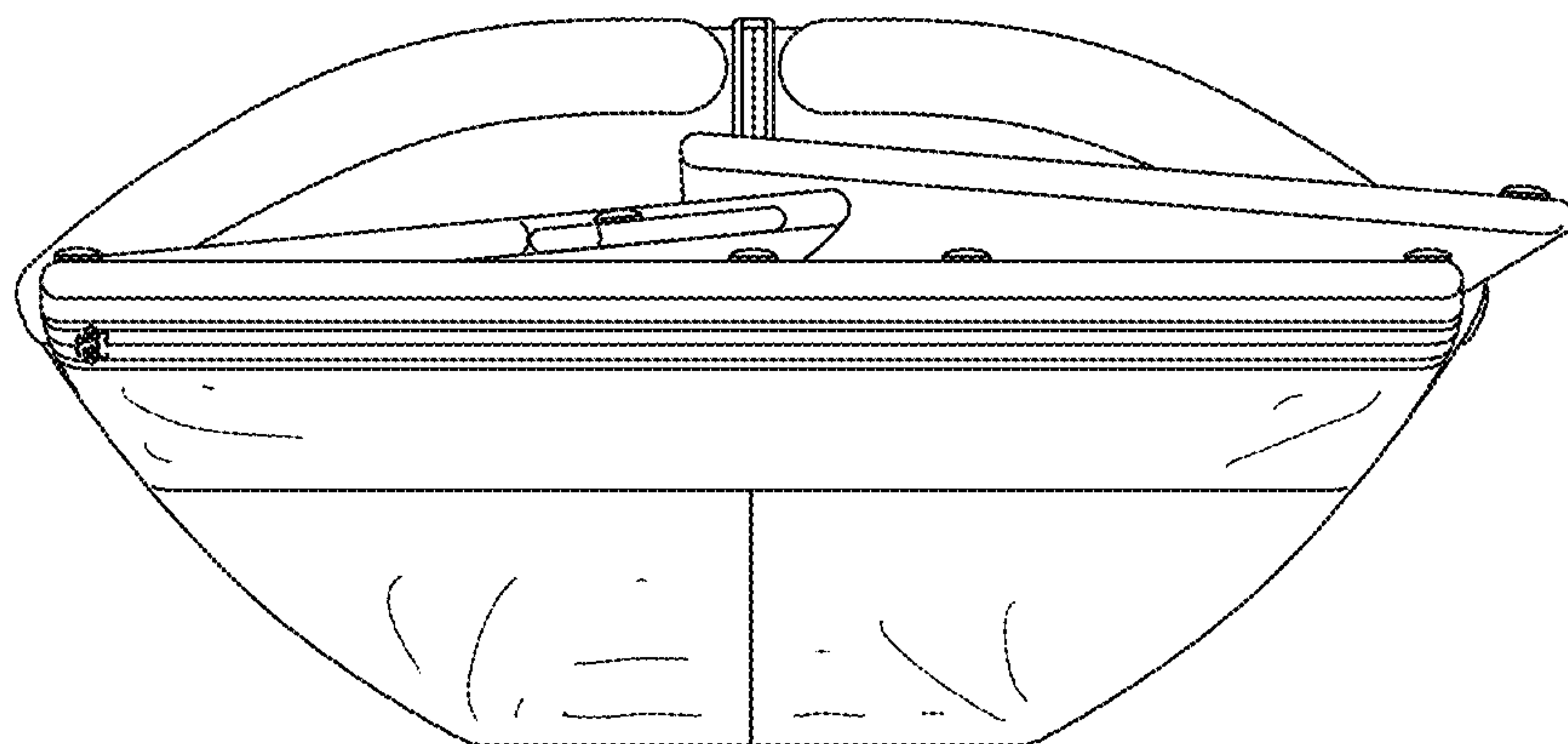


FIG. 7



FIG. 8

