



US00D786523S

(12) **United States Design Patent**  
**Mitchell et al.**

(10) **Patent No.:** **US D786,523 S**

(45) **Date of Patent:** **\*\* May 9, 2017**

(54) **GOLF TROLLEY**  
(71) Applicant: **Procaddie Golf Limited**, Tyne & Wear (GB)  
(72) Inventors: **Celyn Mitchell**, Tyne & Wear (GB); **Andrew Smith**, Tyne & Wear (GB)

(73) Assignee: **Procaddie Golf Limited** (GB)

(\*\*) Term: **15 Years**

(21) Appl. No.: **29/548,053**

(22) Filed: **Dec. 10, 2015**

(30) **Foreign Application Priority Data**

Jun. 10, 2015 (EM) ..... 002716316-0001  
Jun. 10, 2015 (EM) ..... 002716316-0002

(51) **LOC (10) Cl.** ..... **12-13**

(52) **U.S. Cl.**  
USPC ..... **D34/15**

(58) **Field of Classification Search**  
USPC ..... D34/12-27; 280/30, 5.32, 651, 47.35, 280/79.11, 79.3, 646, 652, 38, 40, 654, 280/62, 659, 639, 642  
CPC . B62B 2202/404; B62B 3/02; B62B 2205/24; B62B 2205/00  
See application file for complete search history.

(56) **References Cited**

**U.S. PATENT DOCUMENTS**

4,784,401 A \* 11/1988 Raguette ..... B62B 1/045 280/38  
D300,577 S \* 4/1989 Pope ..... D34/15

5,180,087 A \* 1/1993 Lee ..... B62B 1/045 224/274  
7,048,283 B2 \* 5/2006 Wu ..... B62B 3/12 280/38  
D709,663 S \* 7/2014 Welker ..... D34/15  
D767,845 S \* 9/2016 Kimberley ..... D34/15

\* cited by examiner

*Primary Examiner* — Cynthia Ramirez

(74) *Attorney, Agent, or Firm* — The Belles Group, P.C.

(57) **CLAIM**

We claim the ornamental design for a golf trolley, as shown and described.

**DESCRIPTION**

FIG. 1 is a front perspective view of a golf trolley in accordance with the present design;  
FIG. 2 is a front view thereof;  
FIG. 3 is a rear view thereof;  
FIG. 4 is a right-side view thereof;  
FIG. 5 is a left-side view thereof;  
FIG. 6 is a top view thereof;  
FIG. 7 is a bottom view thereof;  
FIG. 8 is a front perspective view of the golf trolley of FIG. 1 in a folded state;  
FIG. 9 is a rear view thereof;  
FIG. 10 is a front view thereof;  
FIG. 11 is a right-side view thereof;  
FIG. 12 is a left-side view thereof;  
FIG. 13 is a top view thereof; and,  
FIG. 14 is a bottom view thereof.

**1 Claim, 12 Drawing Sheets**

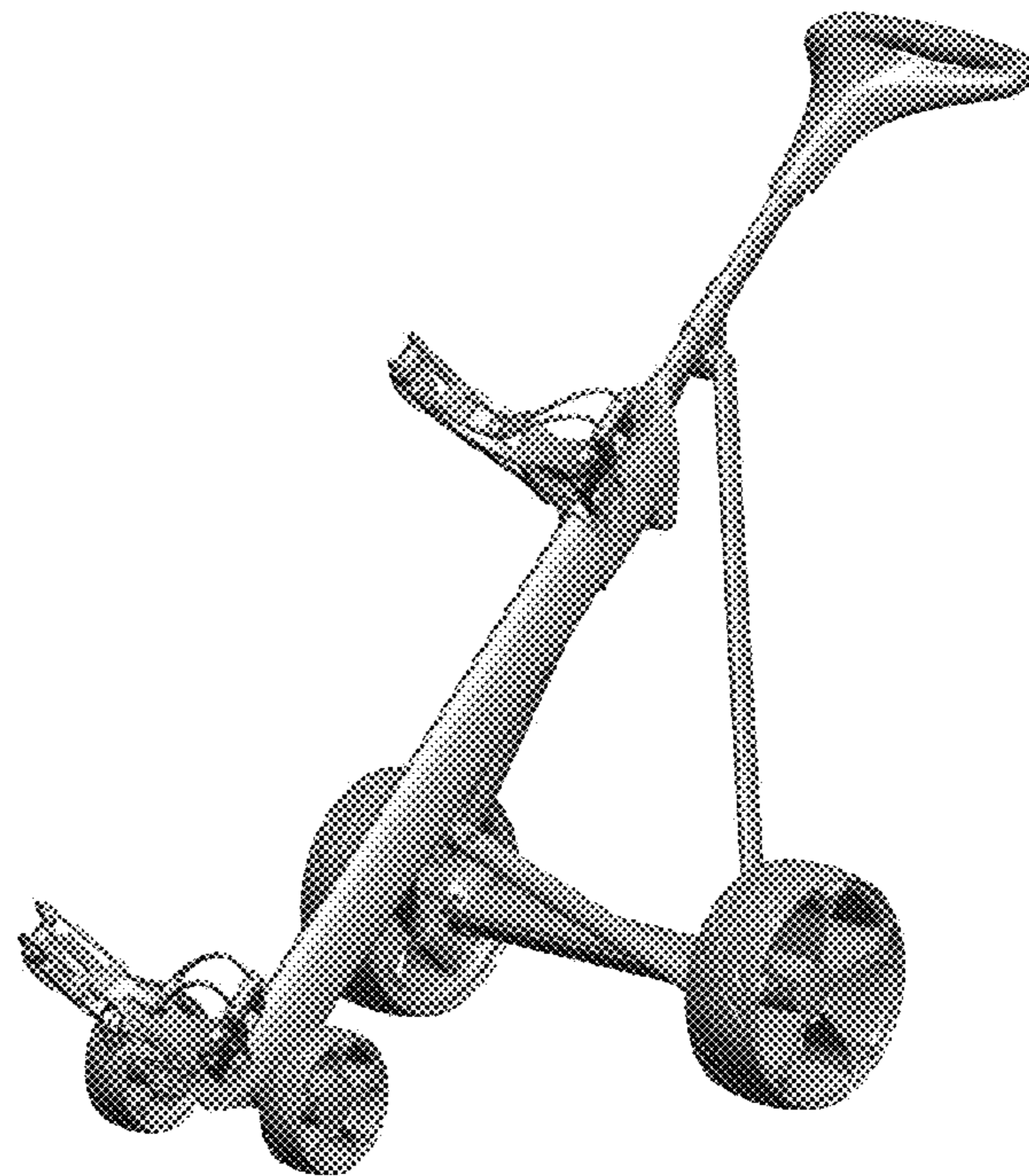




FIG. 1

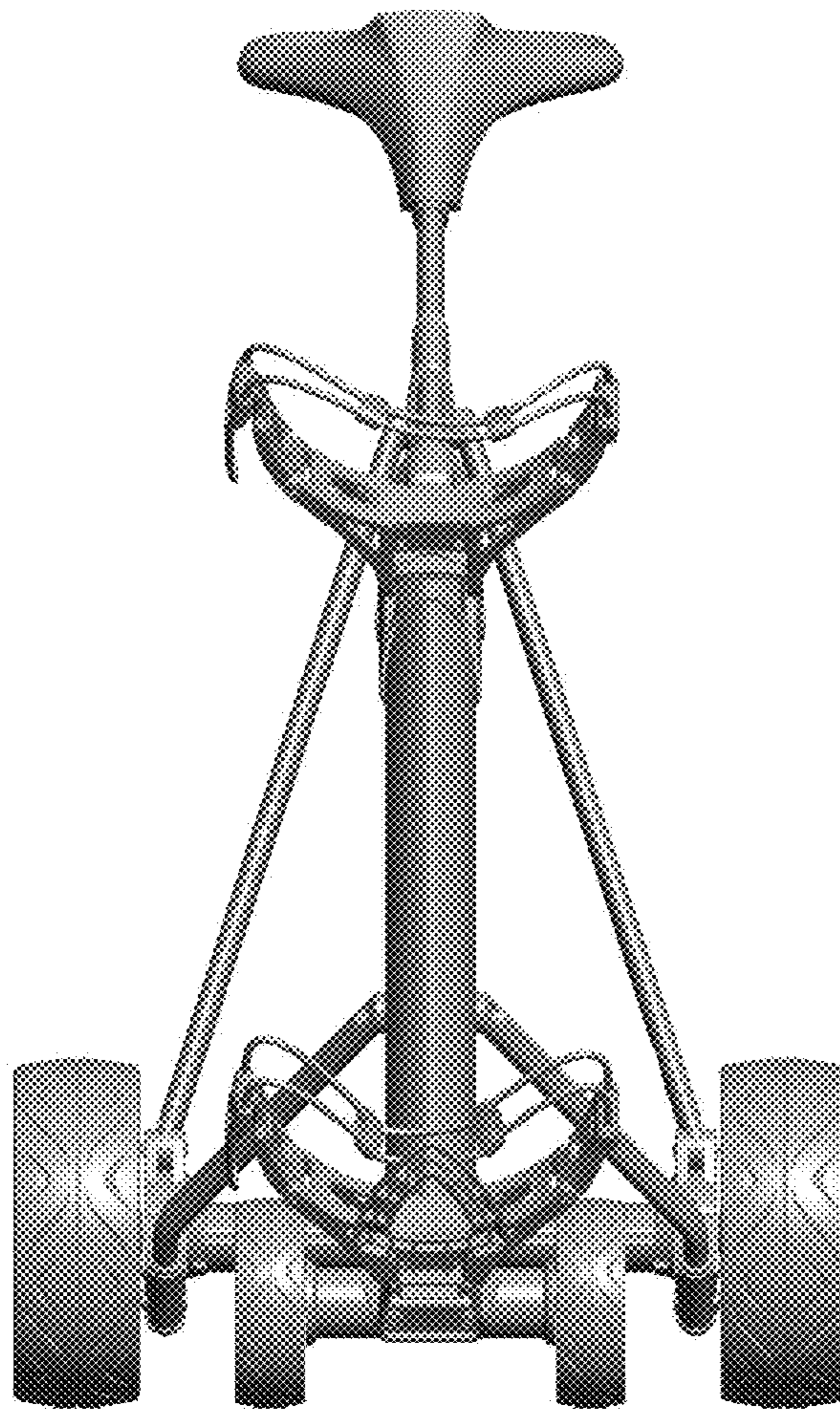


FIG. 2

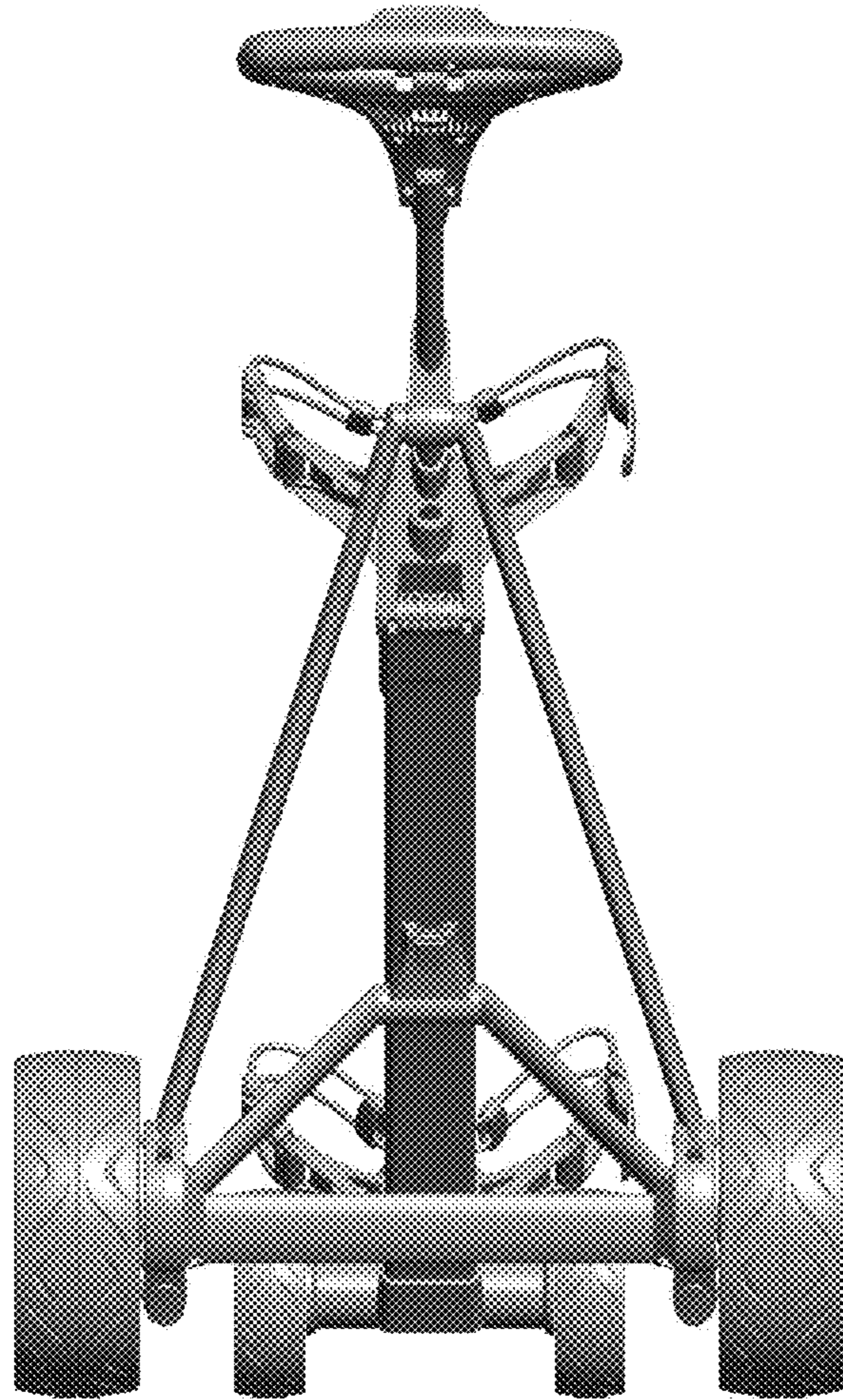


FIG. 3



FIG. 4



FIG. 5

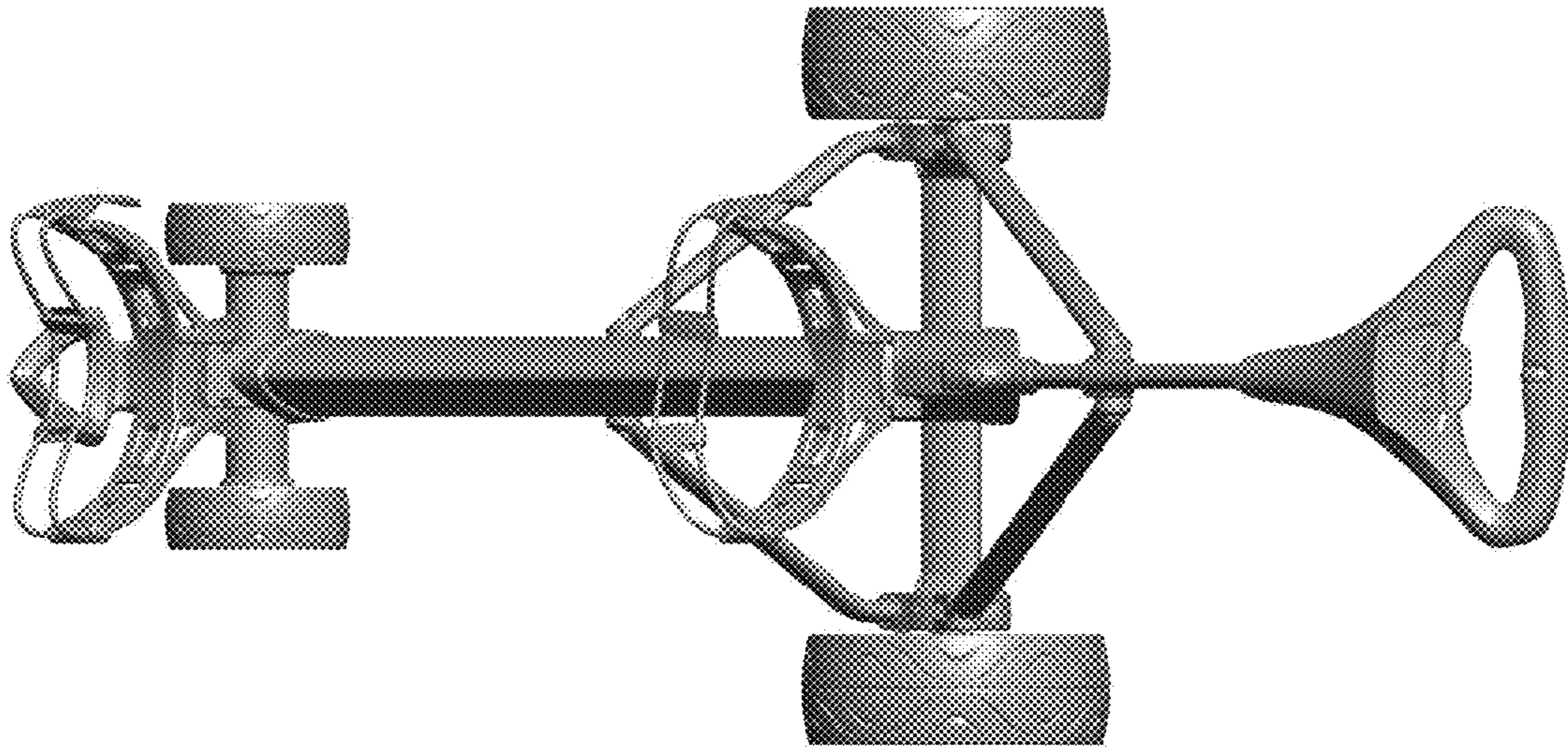


FIG. 6

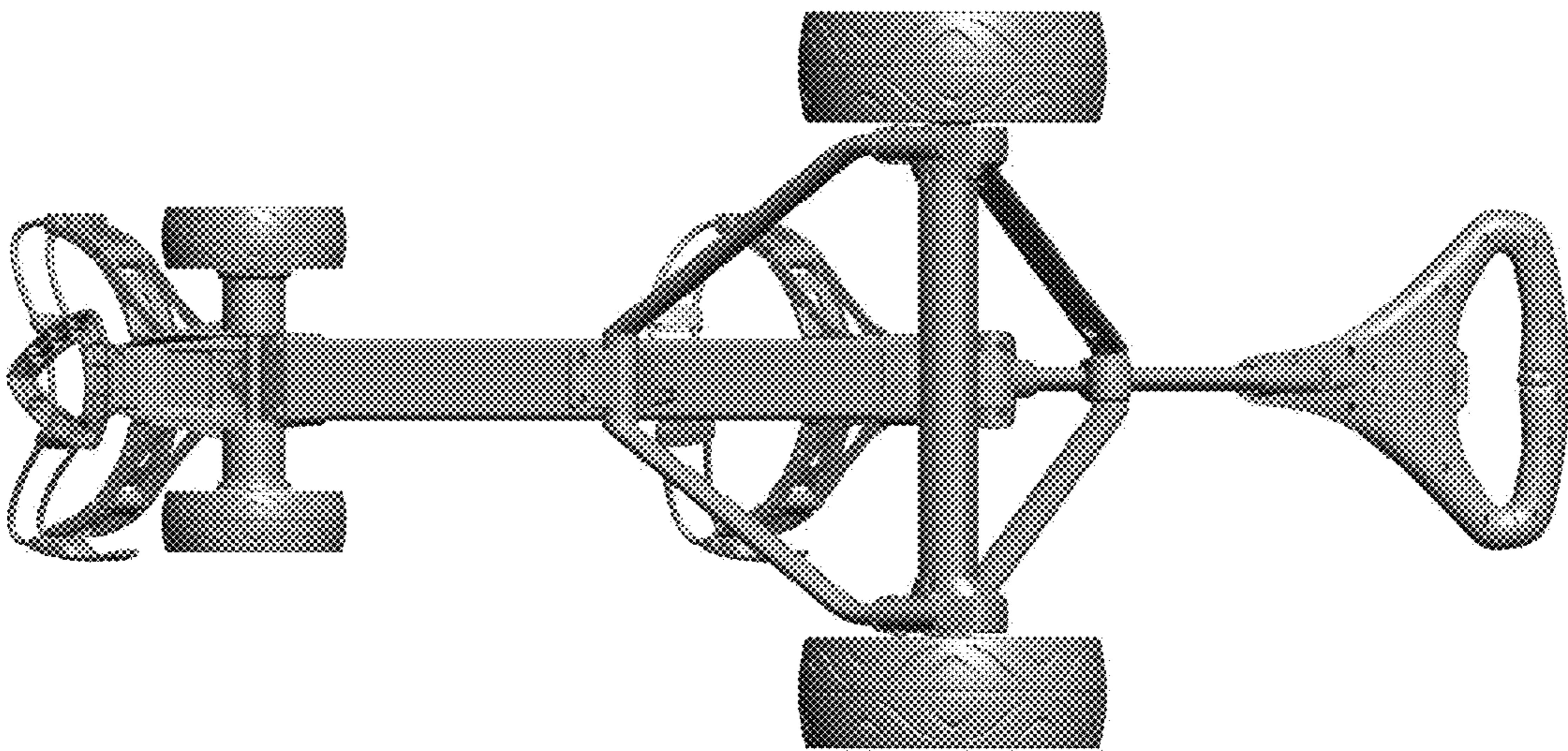


FIG. 7



FIG. 8



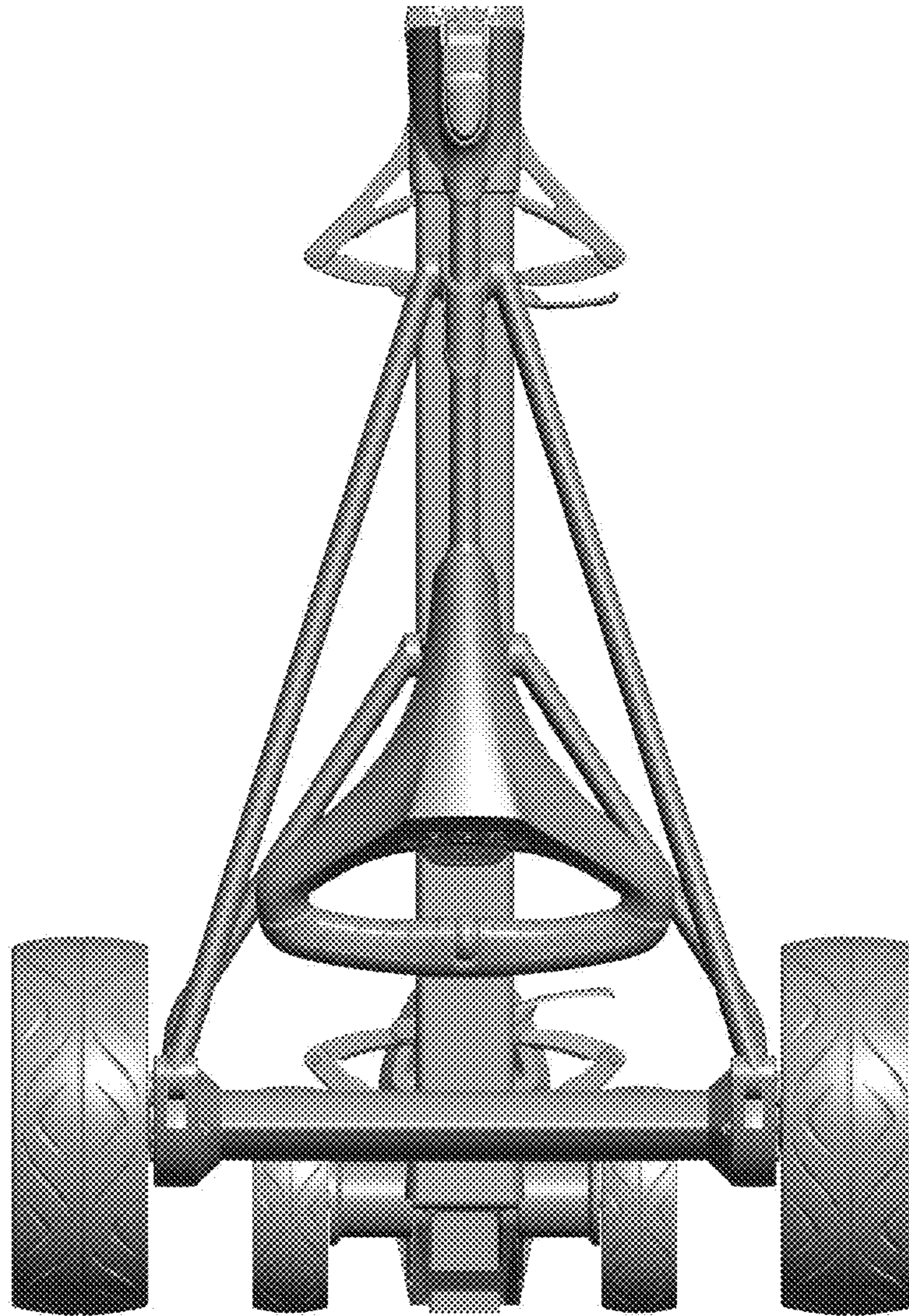


FIG. 9

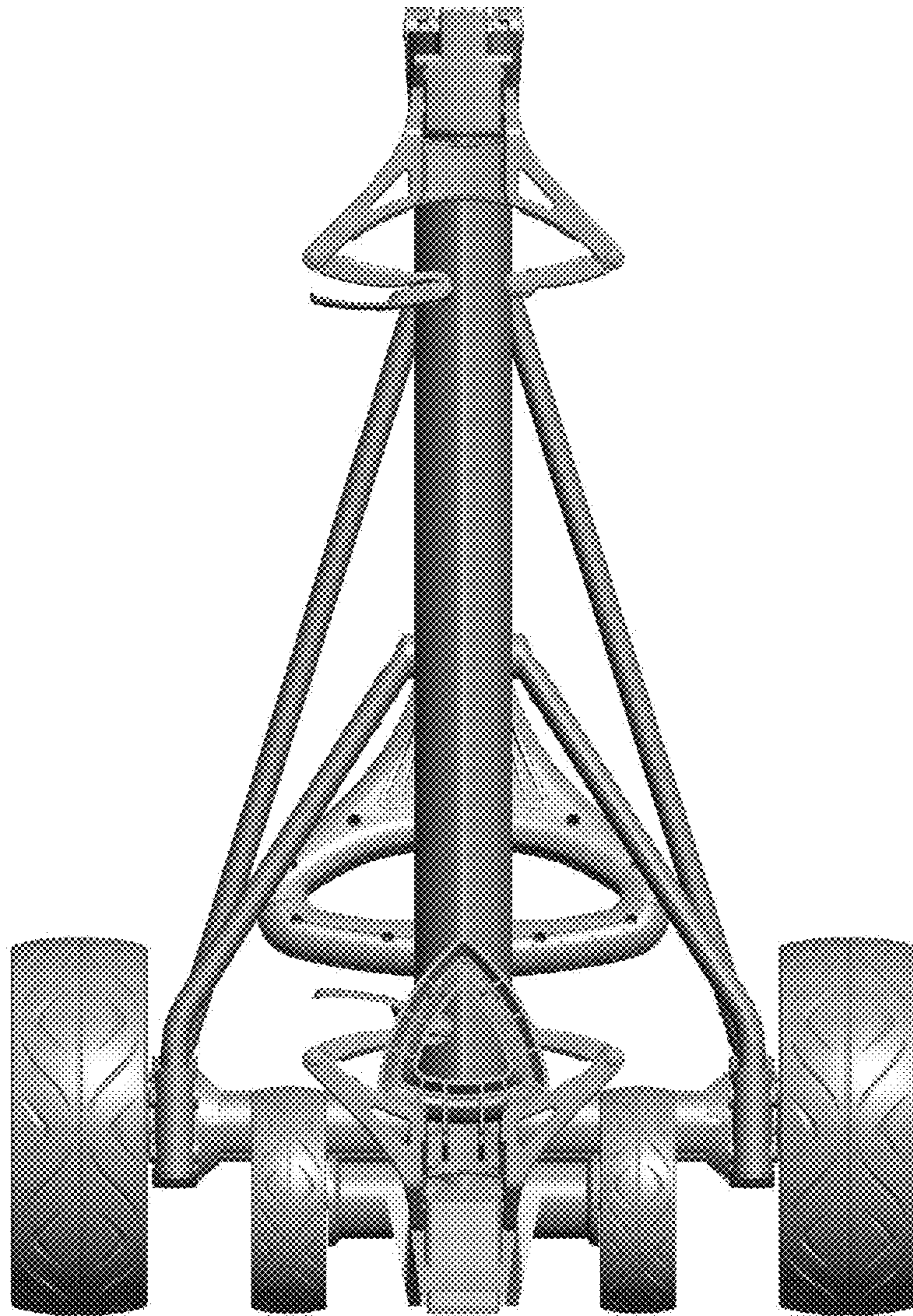


FIG. 10

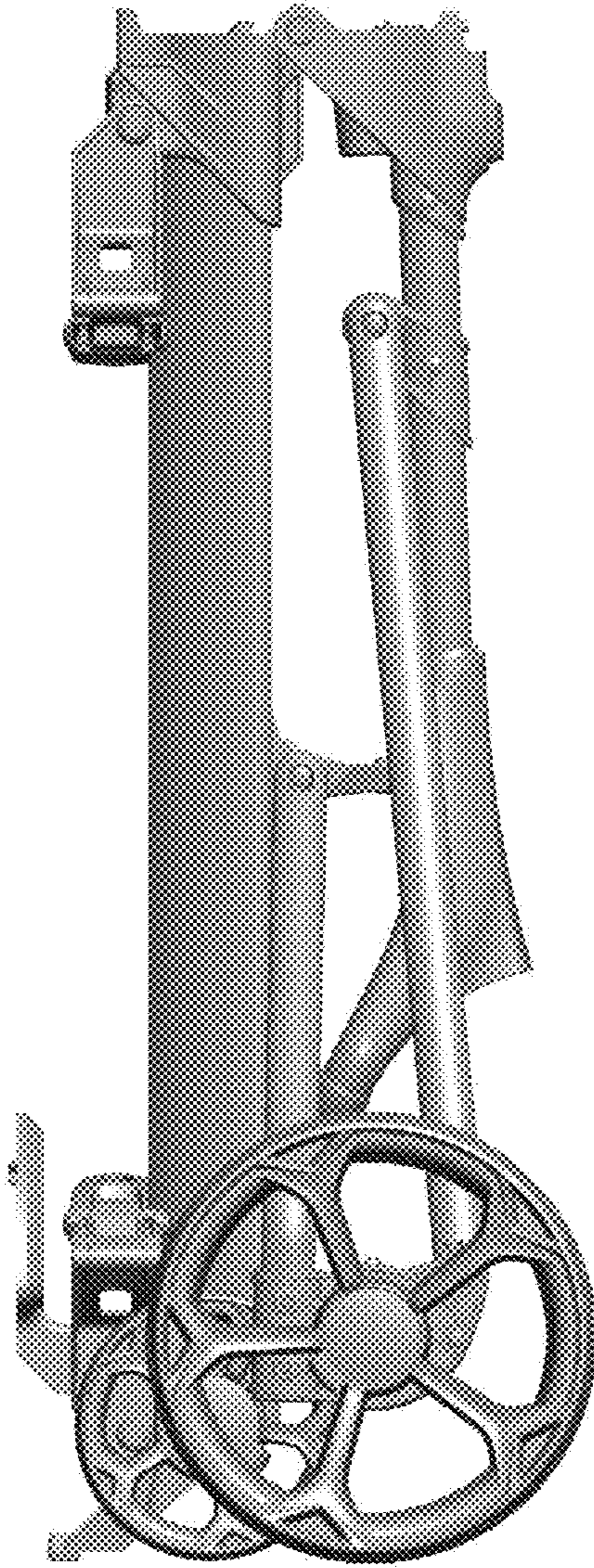


FIG. 11

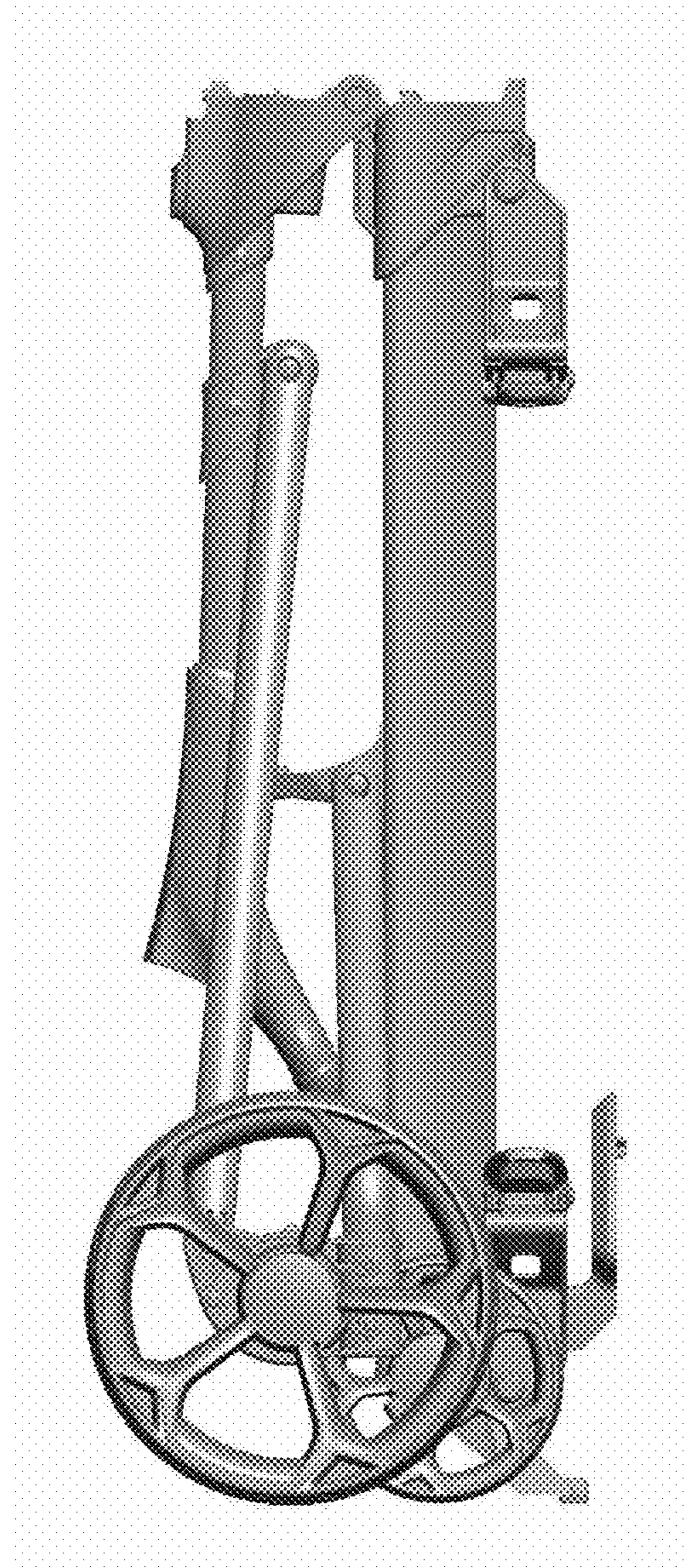


FIG. 12

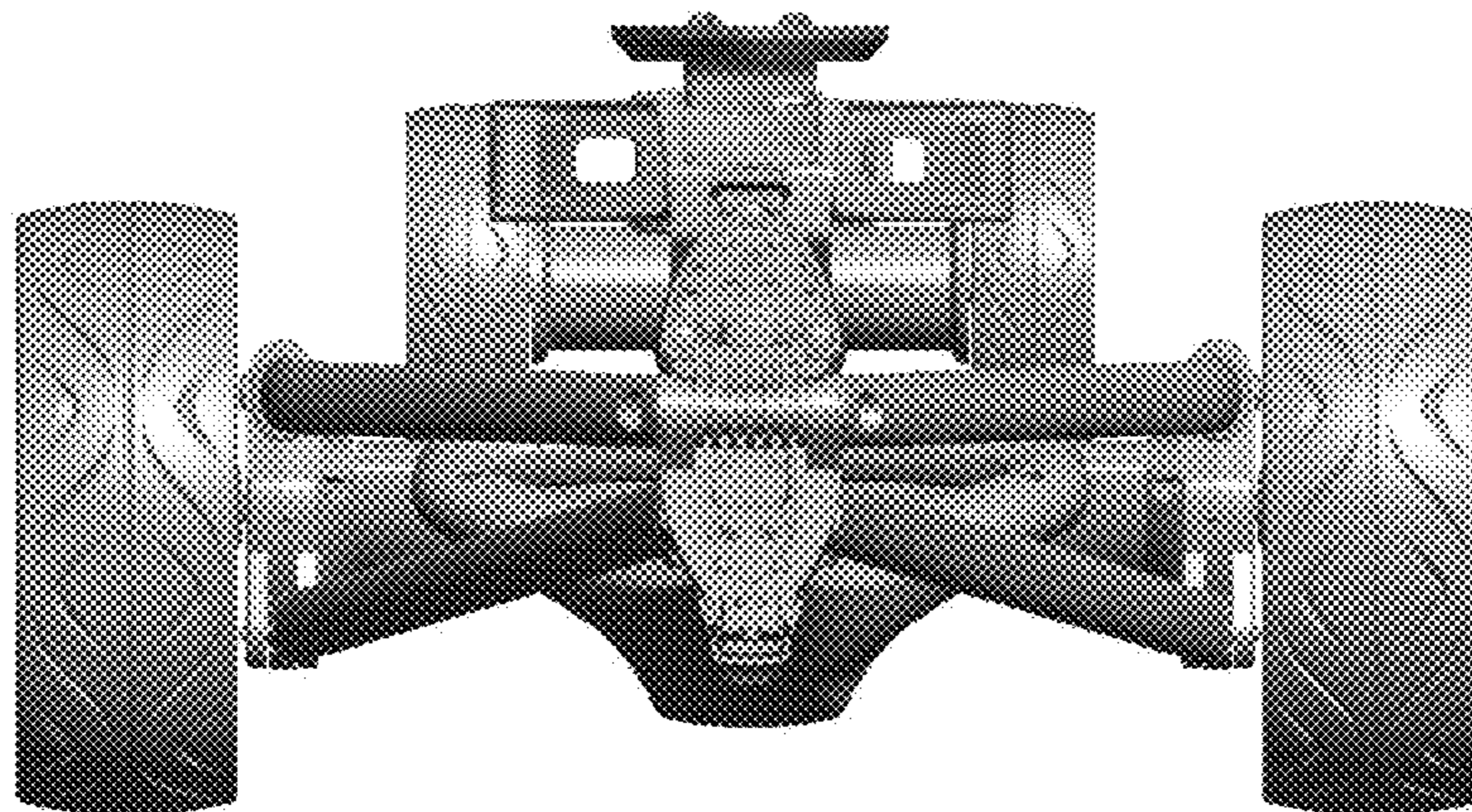


FIG. 13

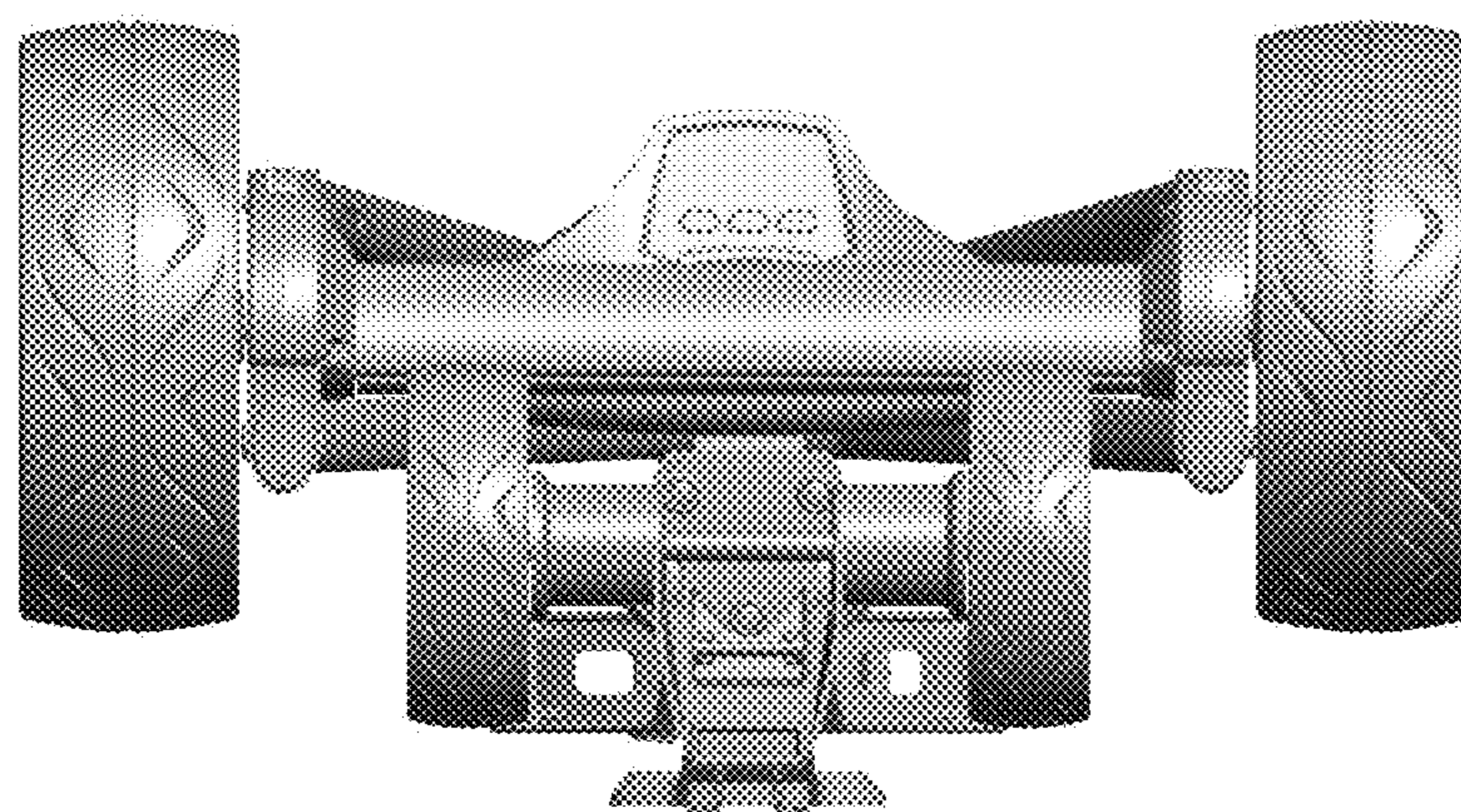


FIG. 14