



US00D786521S

(12) **United States Design Patent**
Curien

(10) **Patent No.:** **US D786,521 S**

(45) **Date of Patent:** **** May 9, 2017**

(54) **STEAMER FOR CLOTHING**

(71) Applicant: **ECODROP**, Housseras (FR)

(72) Inventor: **Gerard Curien**, Housseras (FR)

(73) Assignee: **ECODROP**, Housseras (FR)

(**) Term: **15 Years**

(21) Appl. No.: **29/549,168**

(22) Filed: **Dec. 18, 2015**

(30) **Foreign Application Priority Data**

Jun. 18, 2015 (EM) 002721258

(51) **LOC (10) Cl.** **07-05**

(52) **U.S. Cl.**
USPC **D32/70**

(58) **Field of Classification Search**
USPC D32/70, 71, 73, 72, 69, 68, 35; D8/71,
D8/373, 349, 396, 30; D15/144, 144.2;
D28/73; 219/231, 242, 229; 165/80.1;
126/414
CPC D06F 75/34; D06F 75/08; D06F 75/38;
D06F 75/00; F22B 27/14; B08B 3/006
See application file for complete search history.

(56) **References Cited**

U.S. PATENT DOCUMENTS

D389,628 S * 1/1998 Naft D32/72
D465,309 S * 11/2002 Foersterling D32/35
D509,936 S * 9/2005 Barquin Santillan D32/70
D511,232 S * 11/2005 Barquin Santillan D32/35
D531,774 S * 11/2006 Grossi D32/70

D541,500 S * 4/2007 Leung D32/35
D594,165 S * 6/2009 Mizoguchi D32/70
D595,021 S * 6/2009 Edwards D32/68
D599,070 S * 8/2009 Hosoda D32/68
D624,265 S * 9/2010 Edwards D32/68
D653,415 S * 1/2012 Zegdon D32/70
D663,087 S * 7/2012 Grossi D32/70
D704,913 S * 5/2014 Choi D32/70
D707,007 S * 6/2014 Smith D32/70
D714,007 S * 9/2014 La Rovere D32/70
D733,381 S * 6/2015 Shalvi D32/70
D739,630 S * 9/2015 Luang D32/70
D762,935 S * 8/2016 Dadon D32/70

* cited by examiner

Primary Examiner — Austin Murphy

(74) *Attorney, Agent, or Firm* — Andrew W. Chu; Craft Chu PLLC

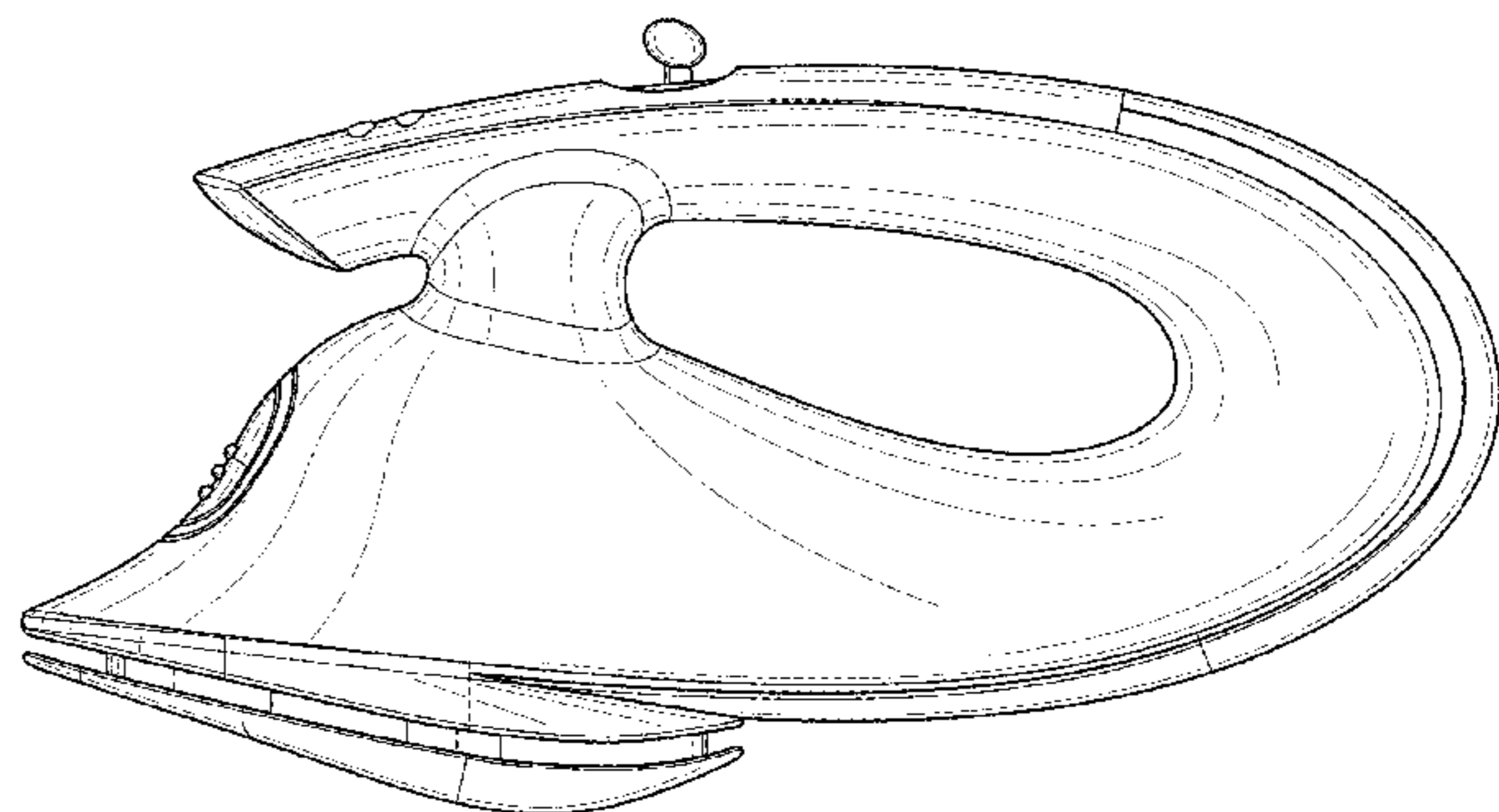
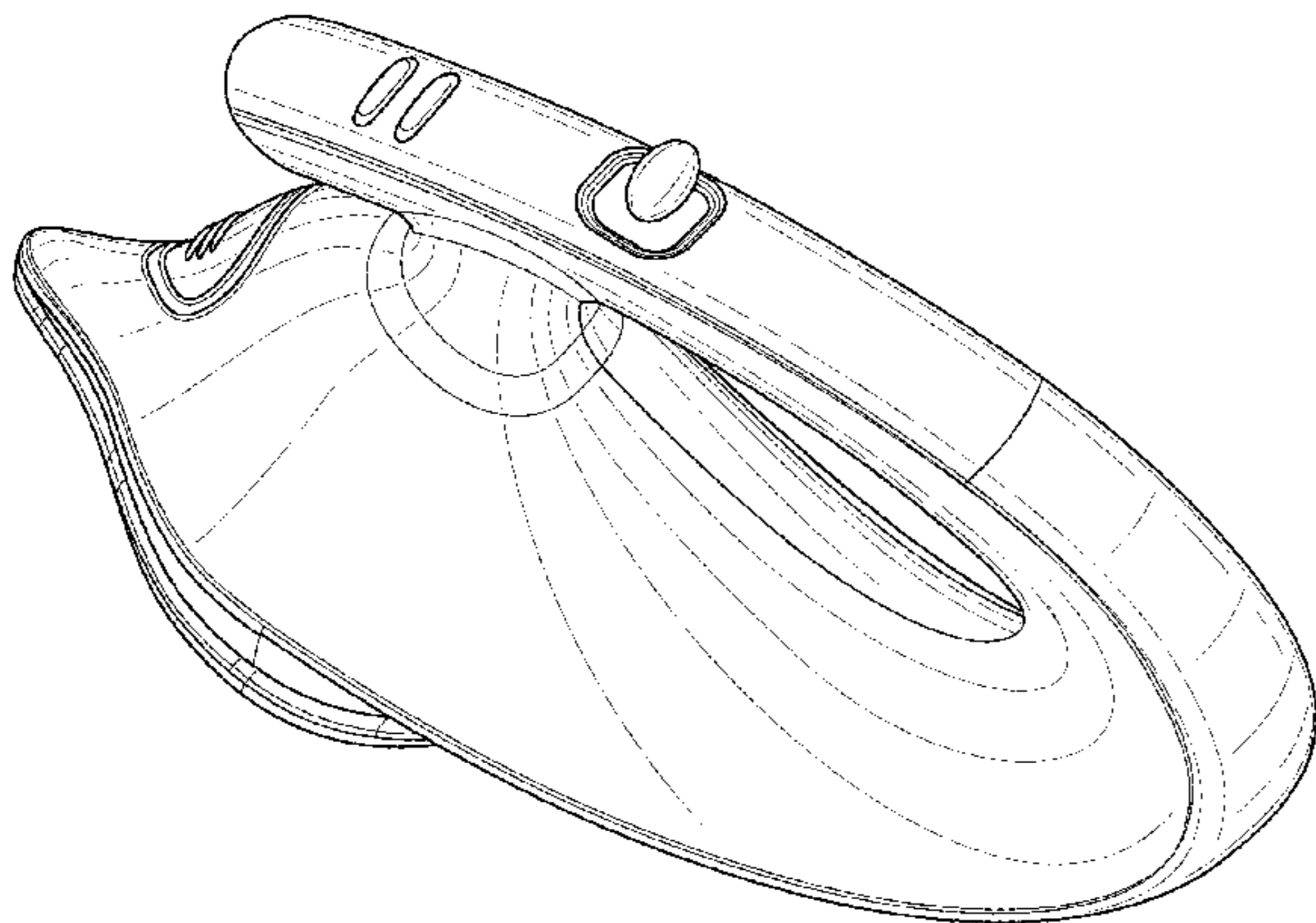
(57) **CLAIM**

The ornamental design for a steamer for clothing, as shown and described.

DESCRIPTION

FIG. 1 is an upper perspective view of the steamer for clothing showing my design.
FIG. 2 is a side elevation view thereof;
FIG. 3 is an opposite side elevation view thereof;
FIG. 4 is a front elevation view thereof;
FIG. 5 is a back elevation view thereof;
FIG. 6 is a top plan view thereof;
FIG. 7 is a bottom plan view thereof; and,
FIG. 8 is a bottom perspective view thereof.
The steamer for clothing is a hand-held appliance for applying steam to an article of clothing.

1 Claim, 4 Drawing Sheets



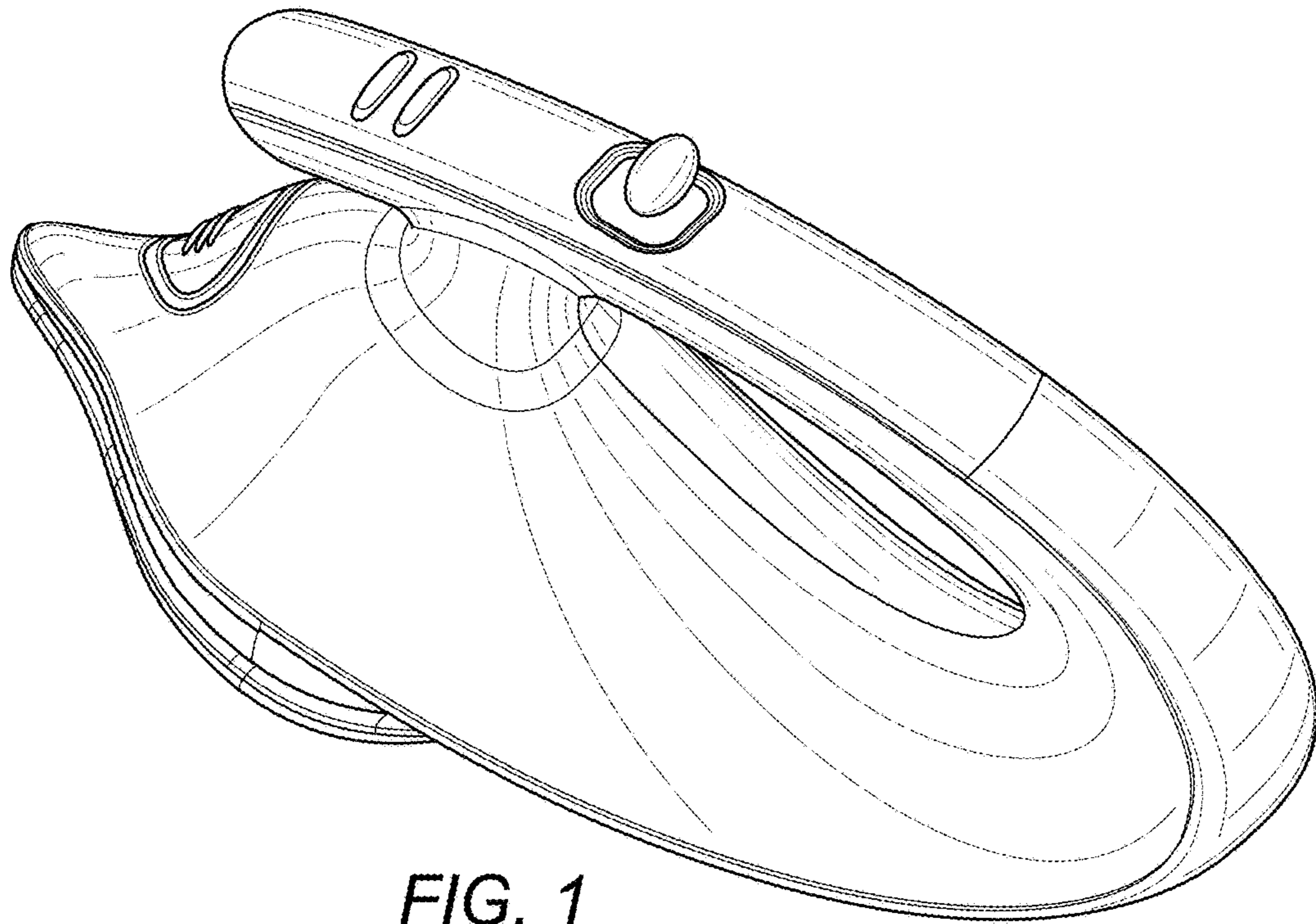


FIG. 1

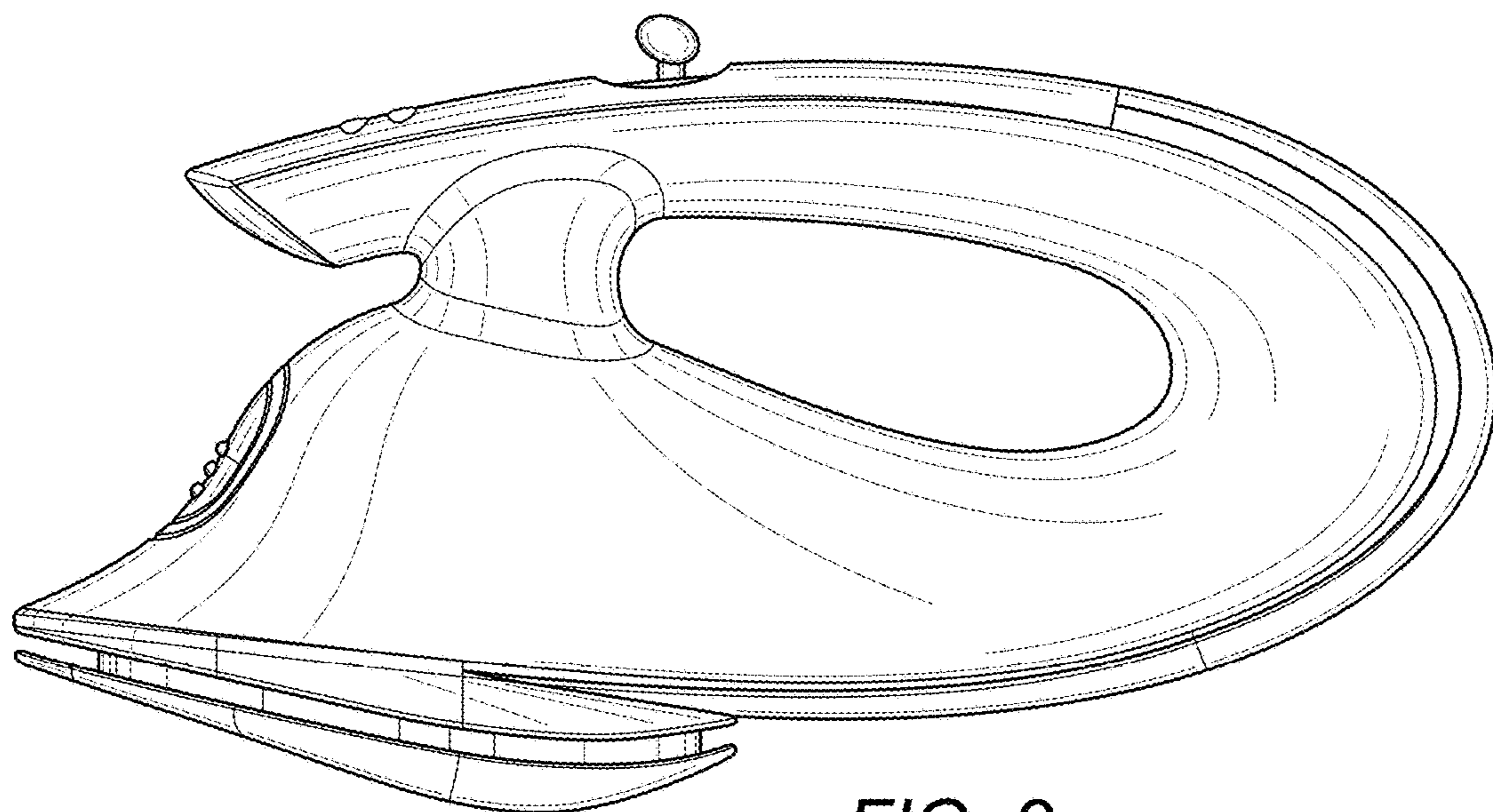


FIG. 2

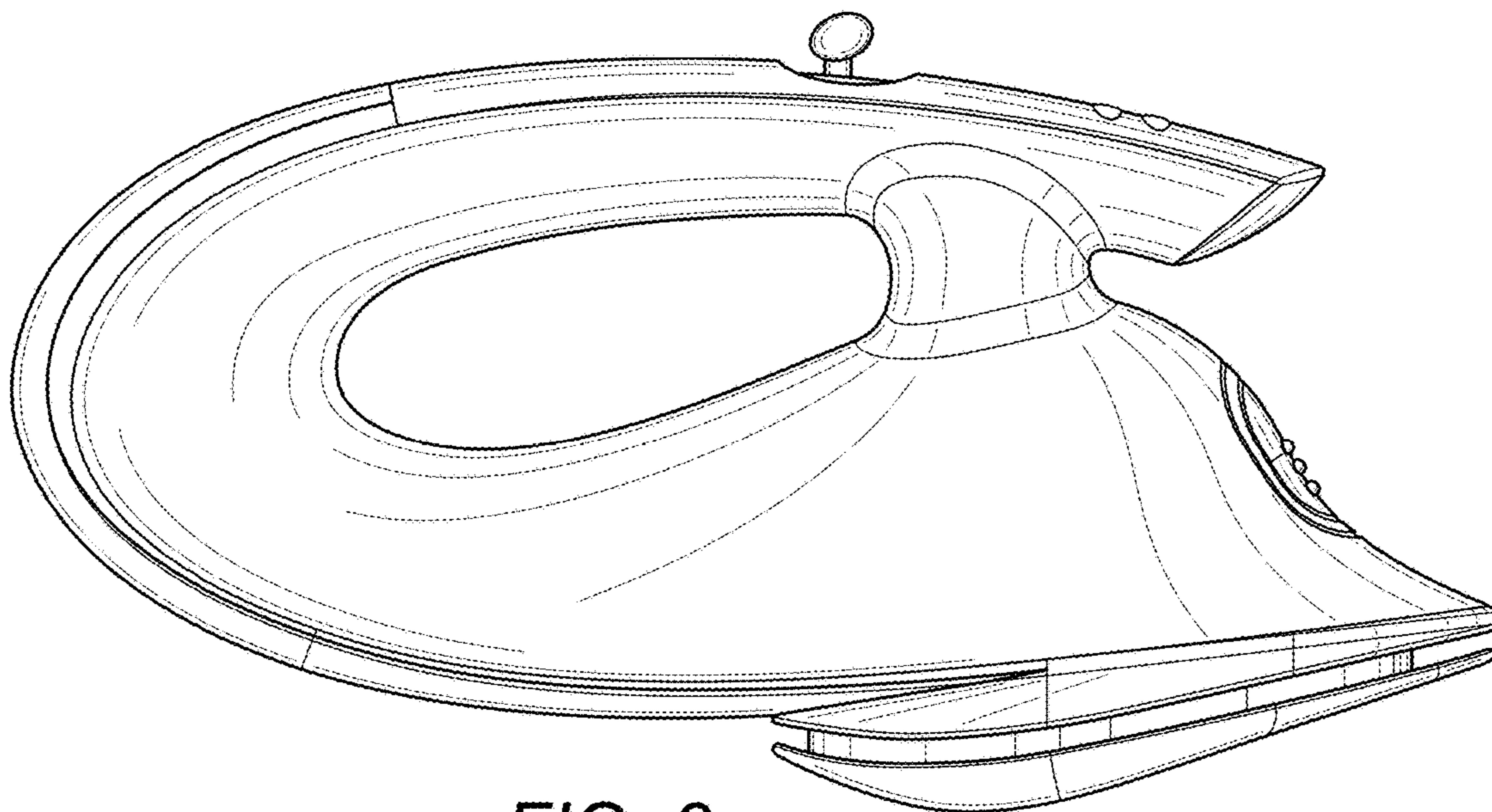


FIG. 3

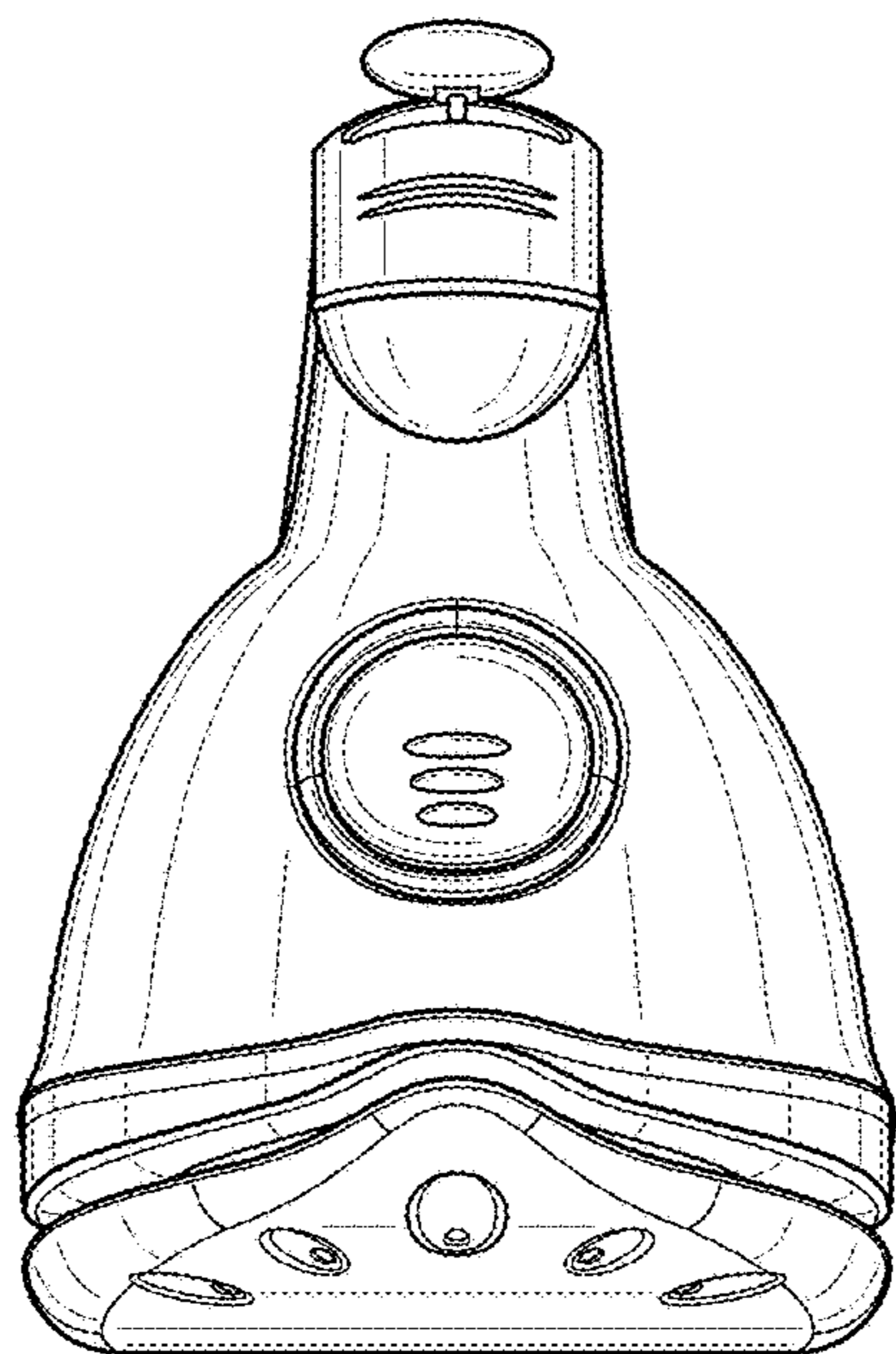


FIG. 4

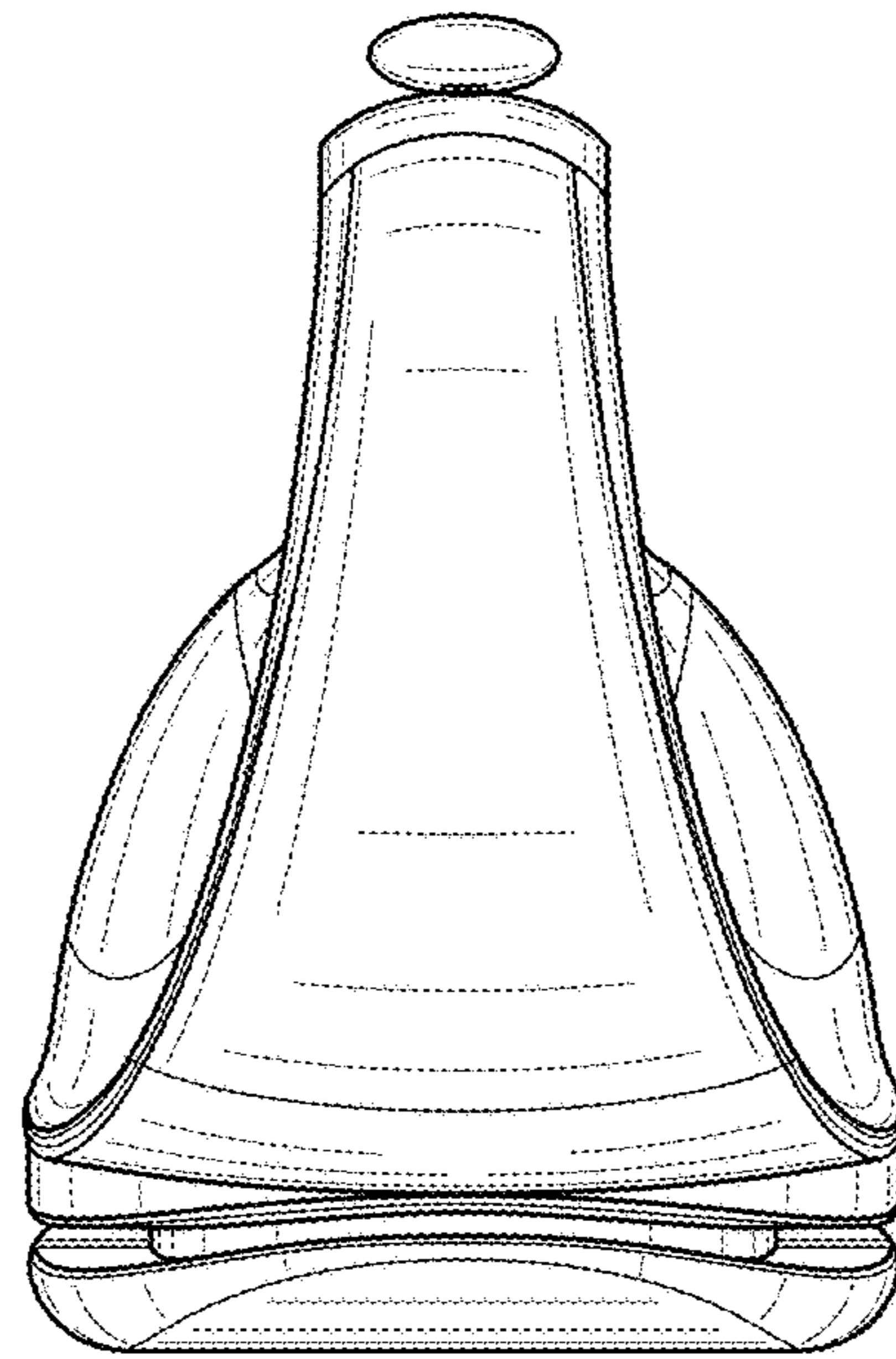


FIG. 5

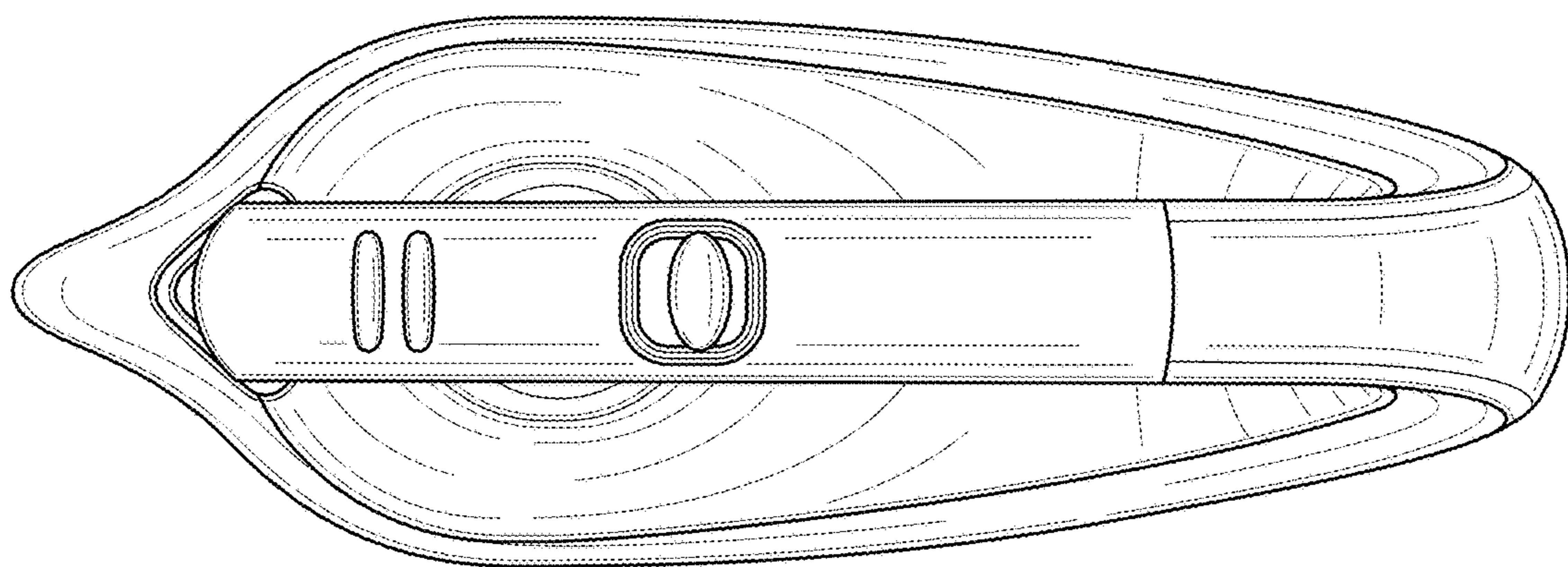


FIG. 6

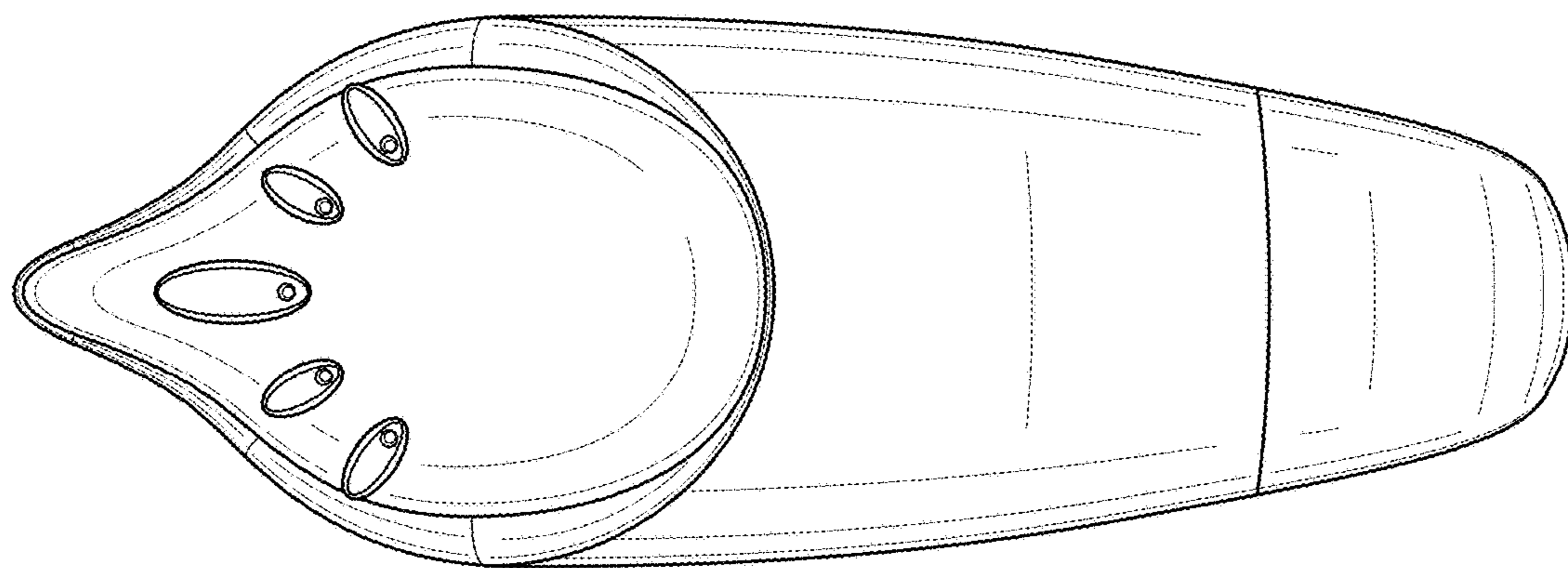


FIG. 7

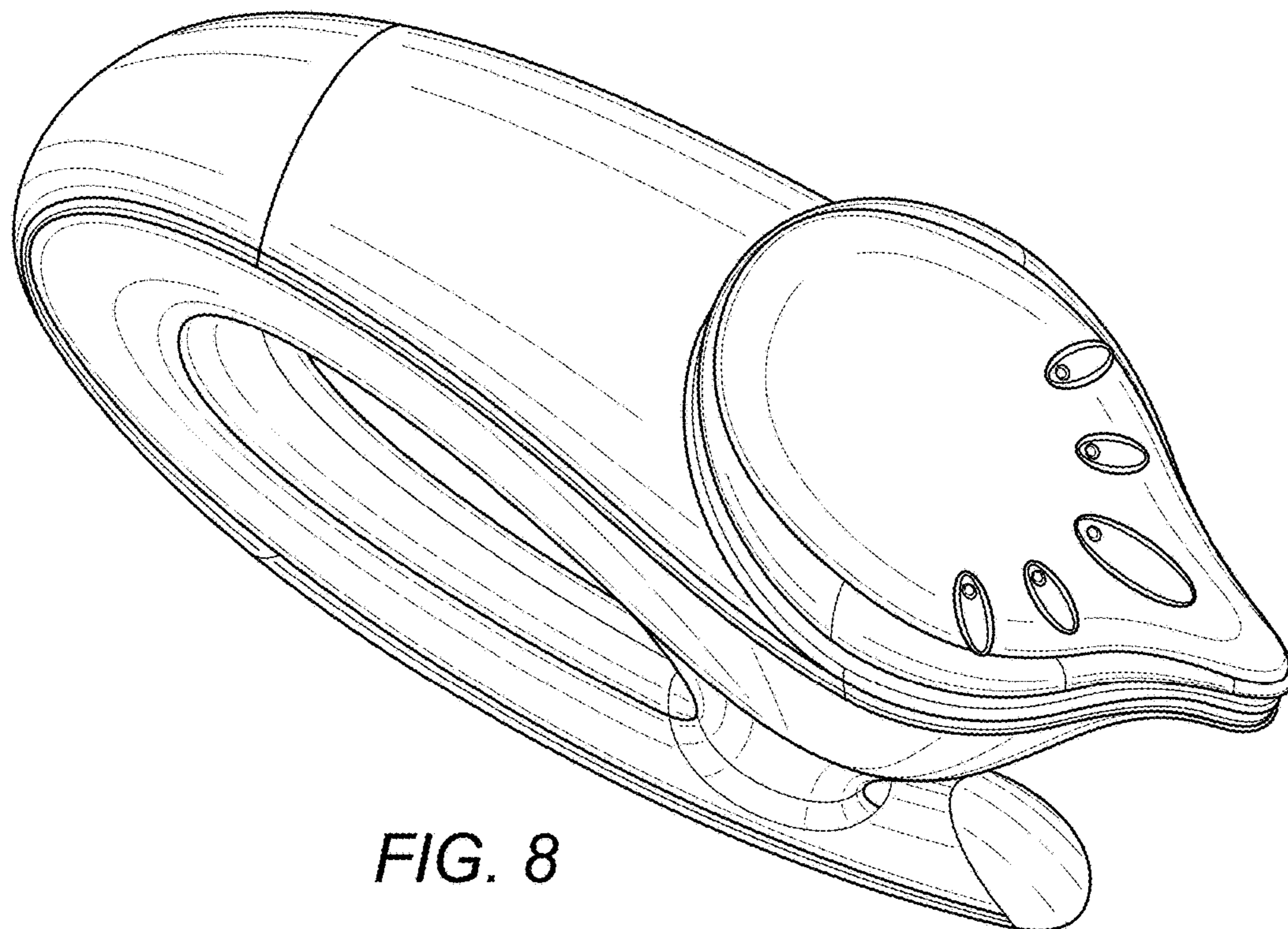


FIG. 8