



US00D786520S

(12) **United States Design Patent** (10) **Patent No.:** **US D786,520 S**
Thoma (45) **Date of Patent:** **** May 9, 2017**

(54) **BROOM**
(71) Applicant: **EBNAT AG**, Ebnat-Kappel (CH)
(72) Inventor: **Pius Thoma**, Gommiswald (CH)
(73) Assignee: **Ebnat AG**, Ebnat-Kappel (CH)

(**) Term: **15 Years**
(21) Appl. No.: **29/532,087**
(22) Filed: **Jul. 1, 2015**

(30) **Foreign Application Priority Data**

Jan. 7, 2015 (WO) 864120001
(51) **LOC (10) Cl.** **04-01**
(52) **U.S. Cl.**
USPC **D32/50**
(58) **Field of Classification Search**
USPC D4/100, 130-135, 199; D32/50-53
CPC ... A46B 3/00; A46B 9/02; A47L 13/10; A47L
13/12
See application file for complete search history.

(56) **References Cited**

U.S. PATENT DOCUMENTS

1,490,078 A * 4/1924 Neff A46B 3/00
15/194
1,678,545 A * 7/1928 Withycombe A46B 3/00
300/21
D99,109 S * 3/1936 Bickel D4/132
D99,111 S * 3/1936 Bickel D4/132
D103,819 S * 3/1937 Guild 15/160
2,177,149 A * 10/1939 Otto A46B 5/00
15/111
2,290,178 A * 7/1942 Hayford A46B 5/0095
15/111
D143,537 S * 1/1946 Le Febvre D4/132
D270,971 S * 10/1983 Stevens D4/132
D277,524 S * 2/1985 Kubick D32/50

D289,338 S * 4/1987 Sartori D32/50
D299,289 S * 1/1989 Machacek D32/50
D307,517 S * 5/1990 Mallory D32/41
5,072,479 A * 12/1991 Van Niekerk A46B 3/005
15/111

(Continued)

FOREIGN PATENT DOCUMENTS

CH 131449 4/2005
CN 302208226 * 12/2012
CN 302998232 * 11/2014
WO DM/061980 12/2002
WO WO D081450-001 * 8/2013

OTHER PUBLICATIONS

Ace® Push Broom—Push Brooms—Ace Hardware, review date
May 23, 2007, <http://www.acehardware.com/product/index.jsp?productId=1273373&cp=4379807.2626187>, [site visited Jul. 26,
2016 9:27:45 PM].*

(Continued)

Primary Examiner — John Windmuller
Assistant Examiner — John R Yeh
(74) *Attorney, Agent, or Firm* — Oblon, McClelland,
Maier & Neustadt, L.L.P.

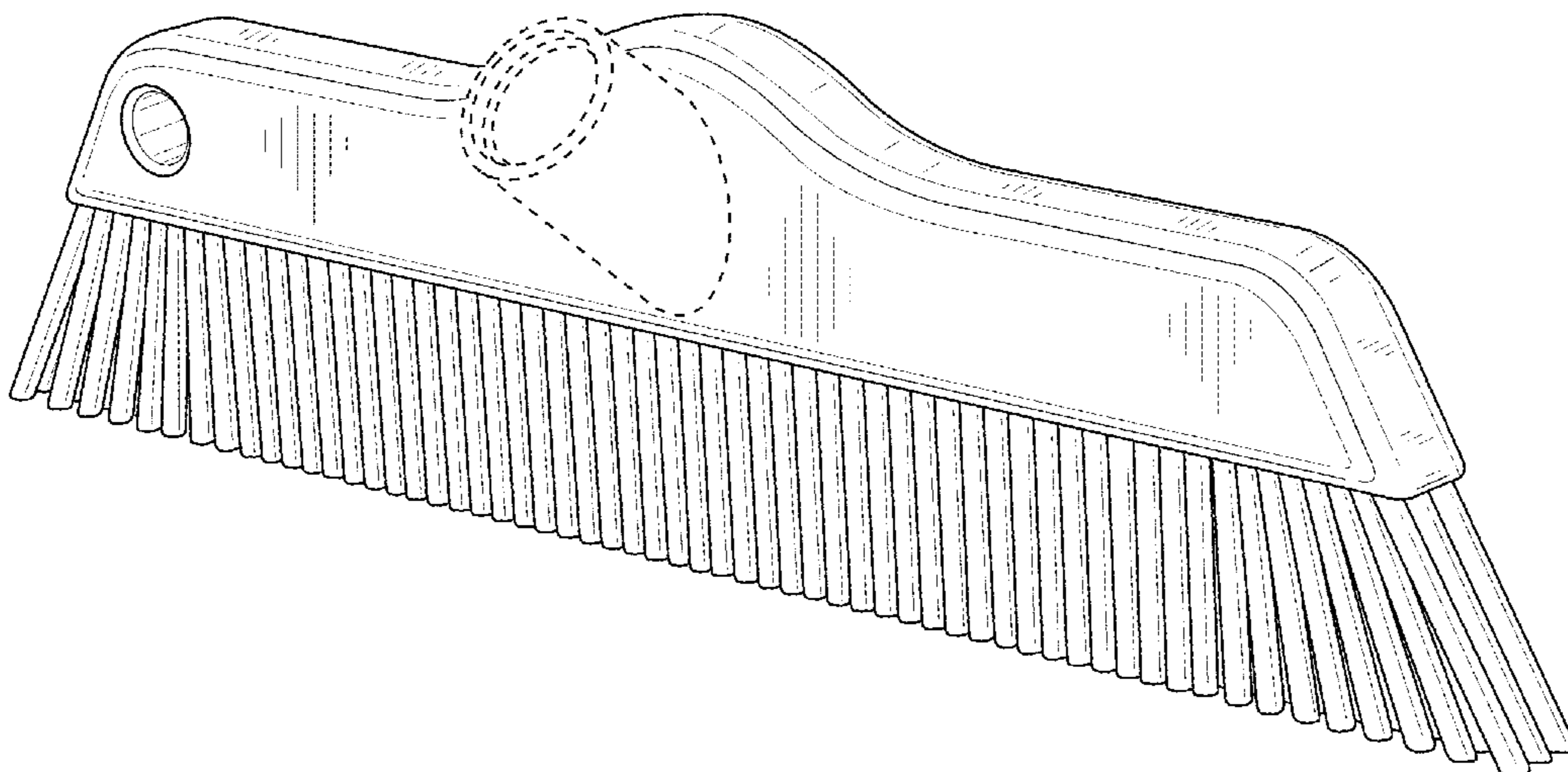
(57) **CLAIM**

The ornamental design for a broom, as shown and described.

DESCRIPTION

FIG. 1 is a front, top, and right side perspective view of a broom;
FIG. 2 is a rear elevational view thereof;
FIG. 3 is a top plan view thereof; and,
FIG. 4 is a left side elevational view thereof, the right side elevational view being a mirror image of the left side elevational view shown.
The broken lines in the drawings illustrate environmental subject matter and form no part of the claimed design.

1 Claim, 4 Drawing Sheets



(56)

References Cited

U.S. PATENT DOCUMENTS

D375,632 S * 11/1996 Uranga D32/50
5,678,899 A * 10/1997 Lewis, Jr. A46D 9/00
300/21
D417,325 S * 11/1999 Tintelnot D32/50
6,108,854 A * 8/2000 Dingert A46B 9/02
15/159.1
D627,978 S * 11/2010 Libman D4/199
D630,022 S * 1/2011 Giacolo D4/199
D663,532 S * 7/2012 Pottes D4/199
D663,533 S * 7/2012 Pottes D4/199
9,221,432 B2 * 12/2015 Blouin A46B 3/08
2010/0212096 A1 * 8/2010 Libman A46B 7/04
15/145

OTHER PUBLICATIONS

Amazon.com: Black & Decker 261086 Indoor/Outdoor Push Broom, review date Oct. 21, 2013, https://www.amazon.com/...p=1789&creative=390957&creativeASIN=B00ATZV9VU&linkCode=as2&linkId=3WLYDNAH5Z4LGX4V&redirect=true&ref_=as_li_tl&tag=whsanoinliisf-20, [site visited Jul. 26, 2016 9:32:49 PM].*

Topchem Website—www.topchem.de; VIKAN® Lobby Broom; 5 pages.

ManuFactum Website—www.manufactum.ch; wooden broom; 1 page.

* cited by examiner

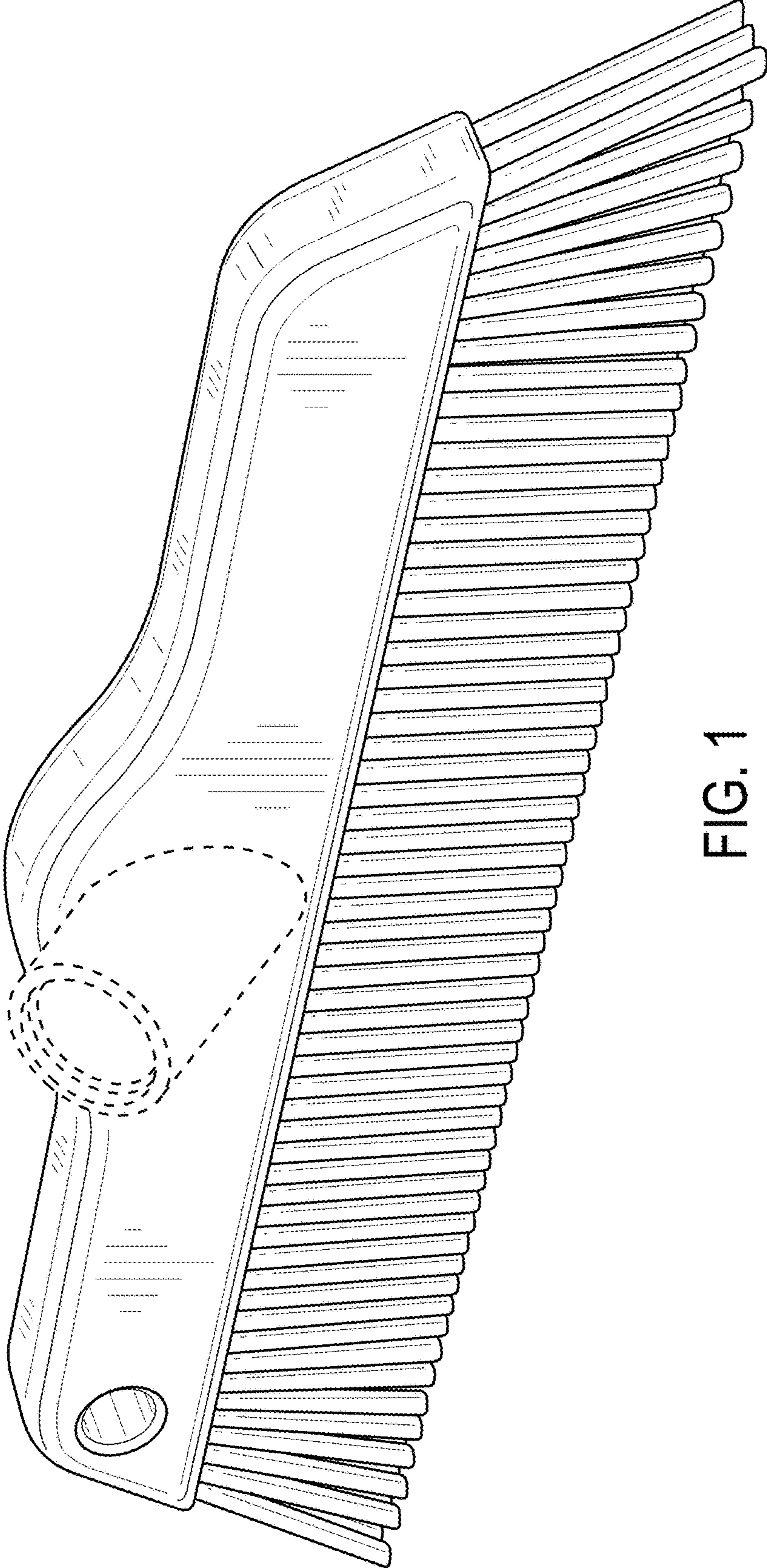


FIG. 1

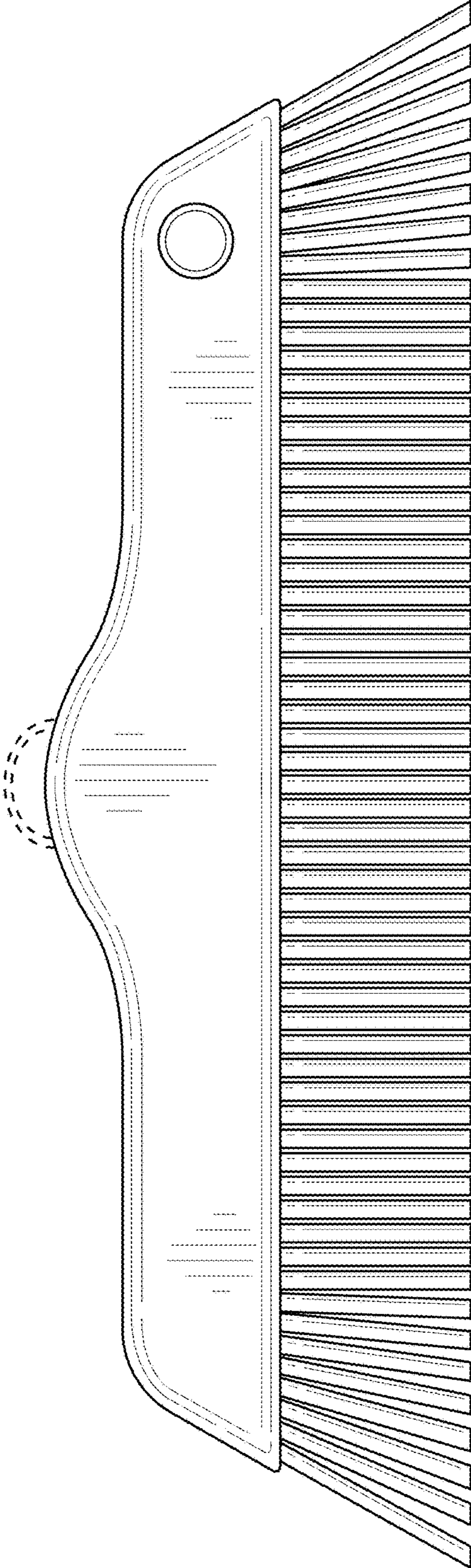


FIG. 2

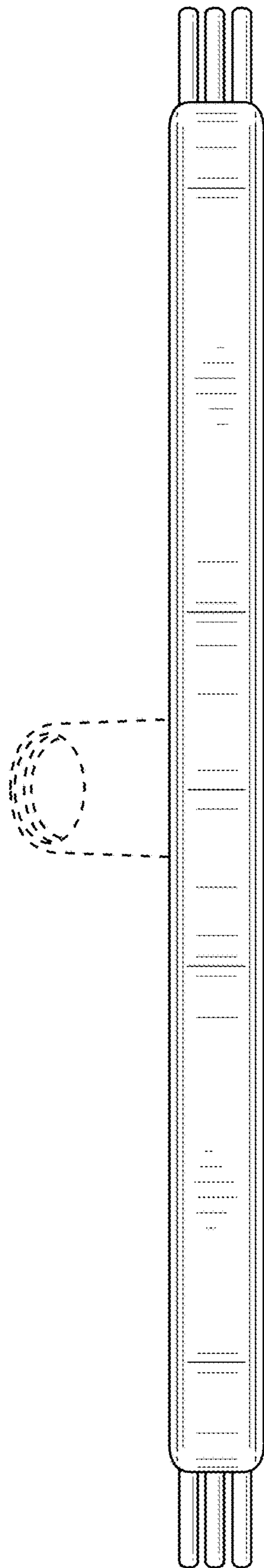


FIG. 3

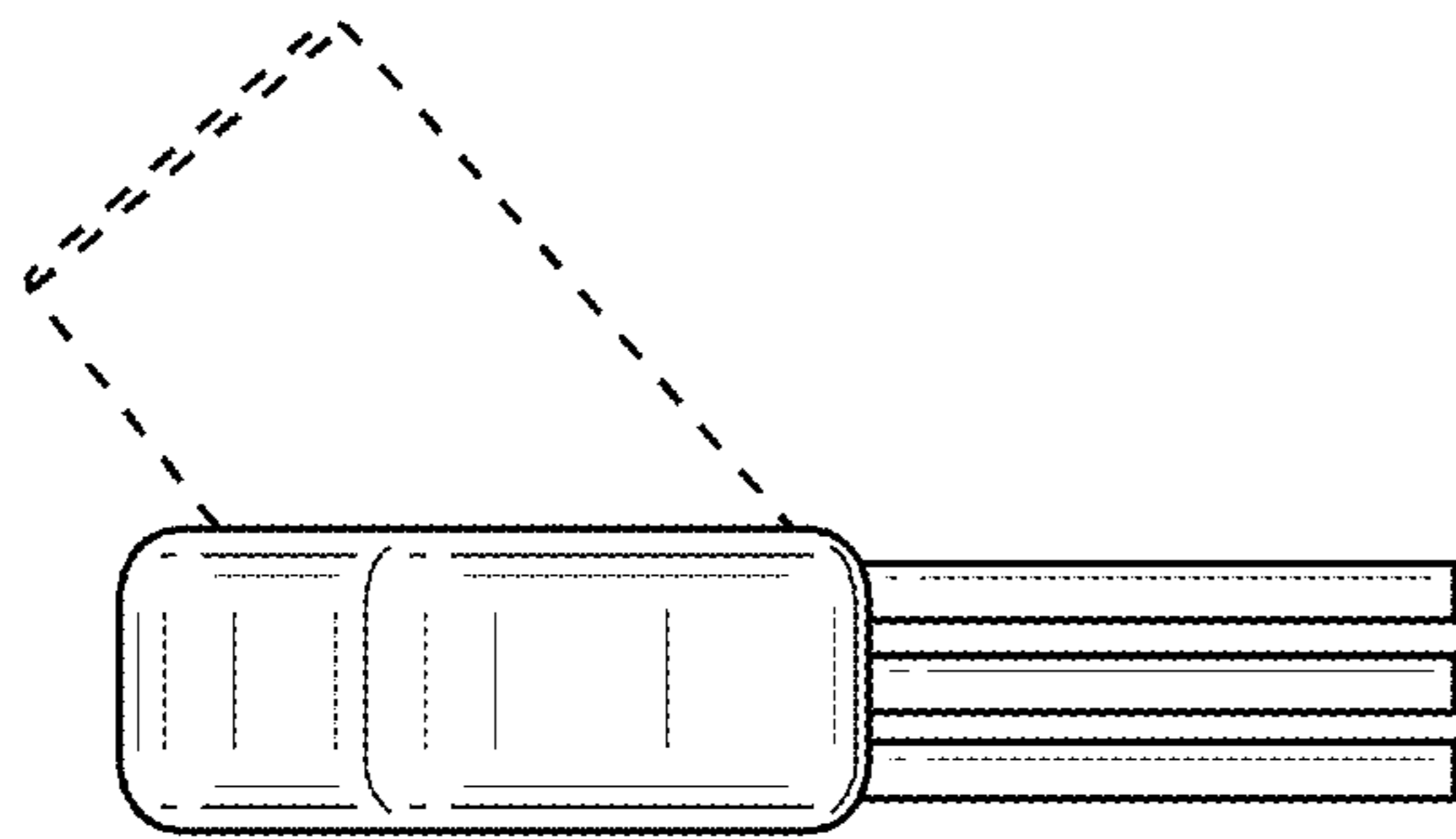


FIG. 4