



US00D786518S

(12) **United States Design Patent** (10) **Patent No.:** **US D786,518 S**
Szekely et al. (45) **Date of Patent:** **** May 9, 2017**

(54) **RAKE FOR TOYS**
(71) Applicants: **Michael Szekely**, Oklahoma City, OK (US); **Charles Schmitz**, Oklahoma City, OK (US); **Spencer Stone**, Oklahoma City, OK (US); **Kelsey Baldwin**, Oklahoma City, OK (US)
(72) Inventors: **Michael Szekely**, Oklahoma City, OK (US); **Charles Schmitz**, Oklahoma City, OK (US); **Spencer Stone**, Oklahoma City, OK (US); **Kelsey Baldwin**, Oklahoma City, OK (US)

D385,465 S * 10/1997 Willis D8/13
D504,597 S * 5/2005 Barajas D8/13
D517,876 S * 3/2006 DeWinter D8/13
D589,768 S * 4/2009 Henderson D8/13
D614,818 S * 4/2010 Moore D30/158
D698,619 S * 2/2014 Schnabel D8/11
D711,204 S * 8/2014 Masalin D8/13
D717,139 S * 11/2014 Romero D8/13
D719,420 S * 12/2014 Masalin D8/13
D739,105 S * 9/2015 Cyrus D32/35
D769,681 S * 10/2016 Stein D8/13
D769,682 S * 10/2016 Stein D8/13
D769,683 S * 10/2016 Stein D8/13
2007/0234700 A1 * 10/2007 Reyniers A01D 7/00
56/400.01

(**) Term: **14 Years**

* cited by examiner

(21) Appl. No.: **29/502,912**

Primary Examiner — Michael A. Pratt

(22) Filed: **Sep. 21, 2014**

Assistant Examiner — Michelle E Wilson

(51) **LOC (10) Cl.** **08-99**

(74) *Attorney, Agent, or Firm* — Brent Capehart

(52) **U.S. Cl.**
USPC **D32/35**

(57) **CLAIM**

(58) **Field of Classification Search**
USPC D32/35, 40, 50; D8/1, 7, 9, 10, 11, 13;
D21/120, 121, 252, 59; D7/50, 101, 102
CPC B08B 1/00; B08B 9/00; B25G 1/04; B25G
3/04
See application file for complete search history.

The ornamental design for a rake for toys, as shown and described.

DESCRIPTION

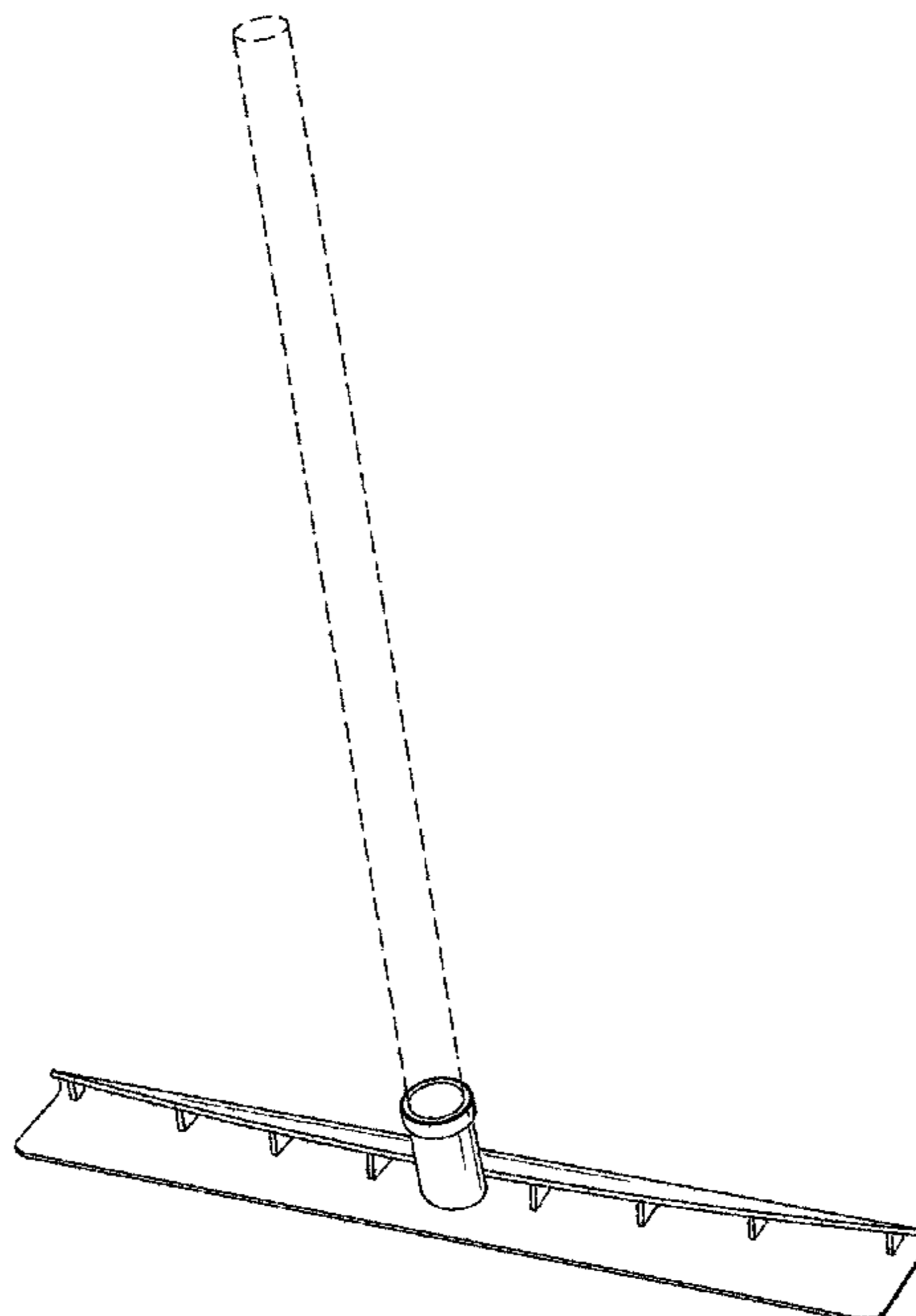
(56) **References Cited**

FIG. 1 is a perspective view of rake for toys showing our new design. The broken lines showing a handle attached thereto of the claimed design form no part of the claimed design;
FIG. 2 is a left side view thereof, with the right side view being a mirror view thereof;
FIG. 3 is a top view thereof;
FIG. 4 is a back view thereof;
FIG. 5 is a bottom view thereof; and,
FIG. 6 is a front view thereof.

U.S. PATENT DOCUMENTS

D272,456 S * 1/1984 Clanton D21/532
D282,859 S * 3/1986 Burhop D21/532
D342,293 S * 12/1993 Kino D21/532
D344,991 S * 3/1994 Kino D21/532
D356,349 S * 3/1995 Kino D21/532
D375,332 S * 11/1996 Kino D21/532

1 Claim, 4 Drawing Sheets



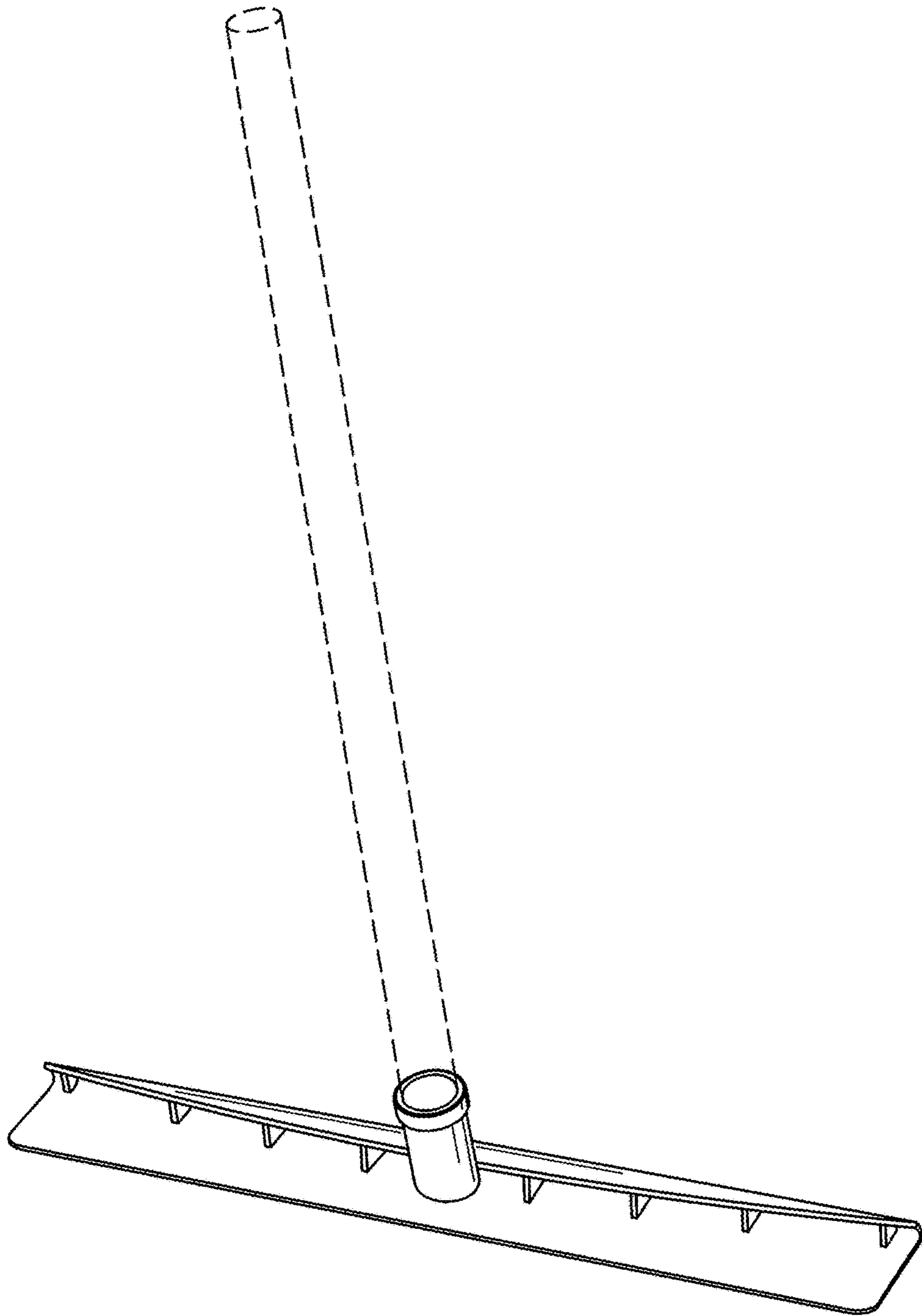


FIG. 1

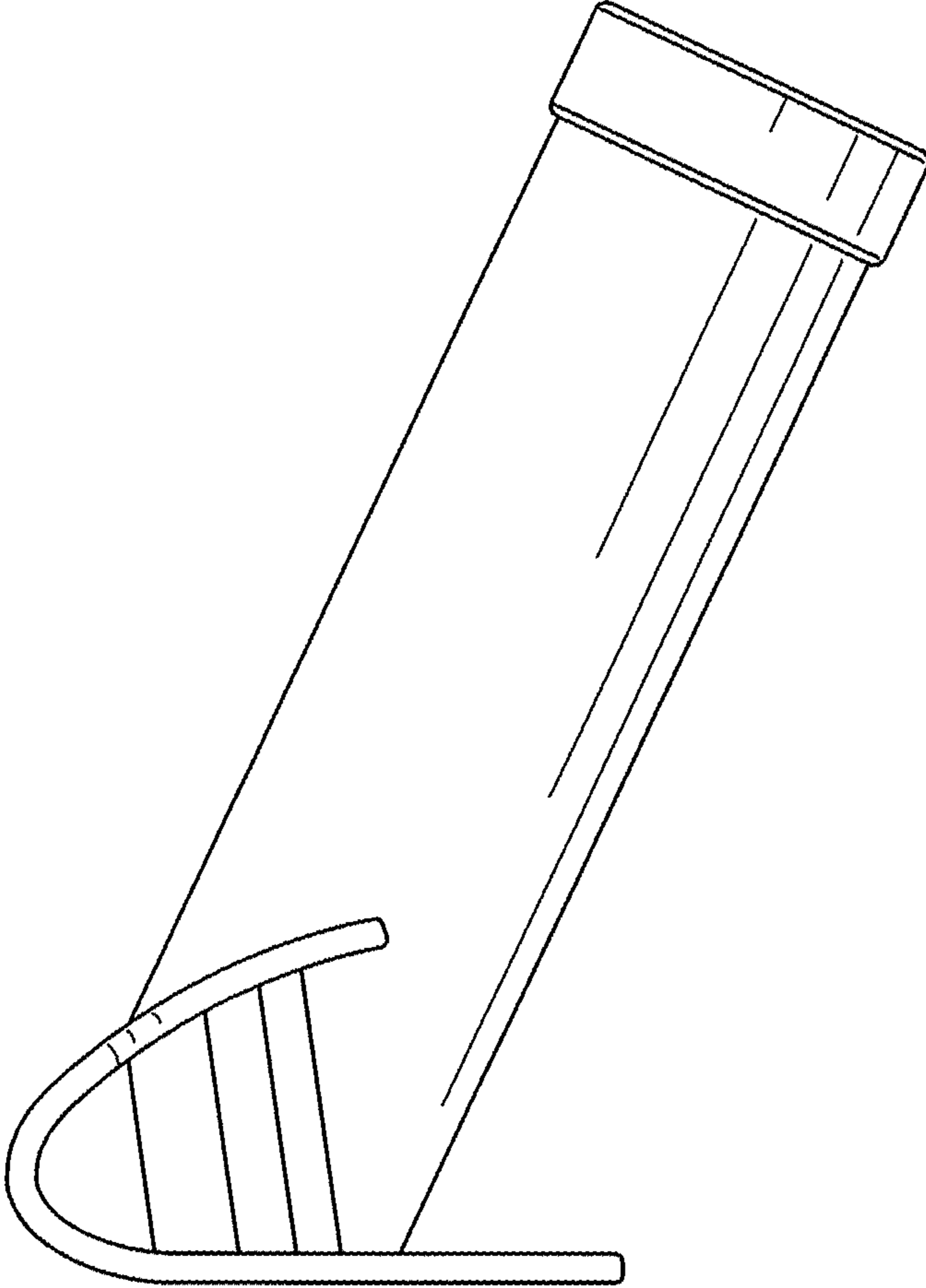


FIG. 2

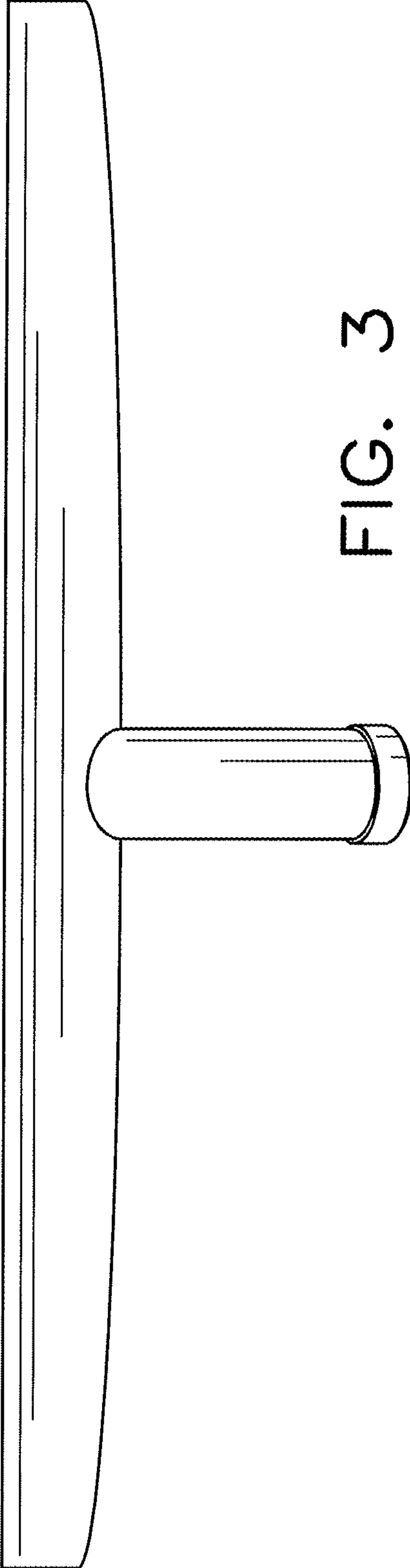


FIG. 3

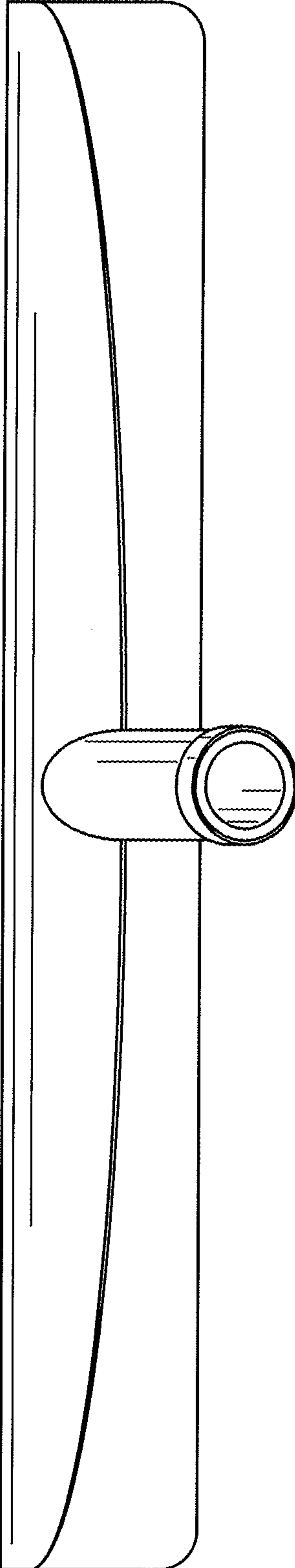


FIG. 4

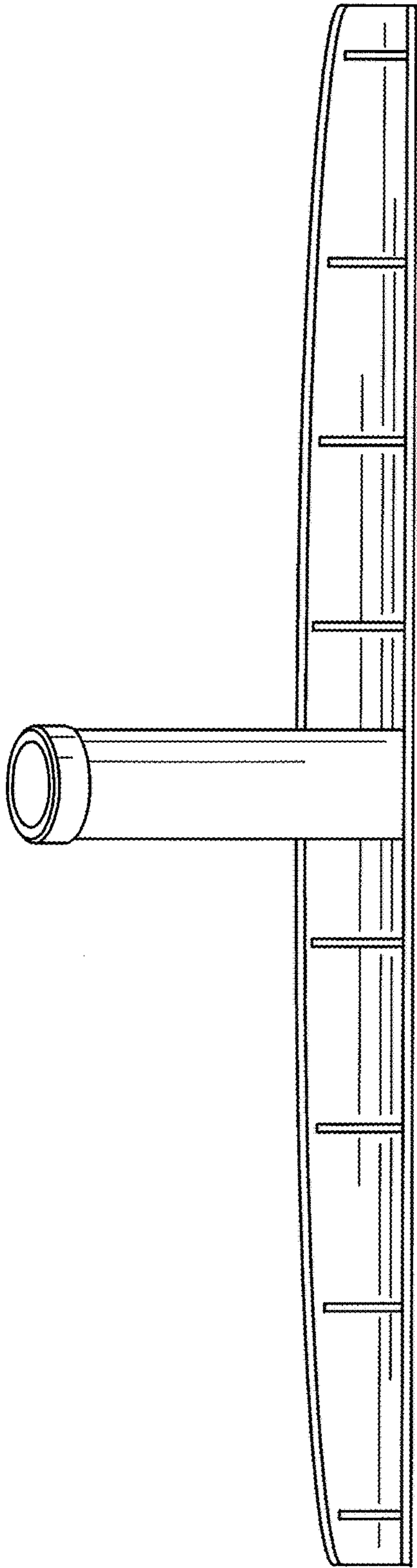


FIG. 5

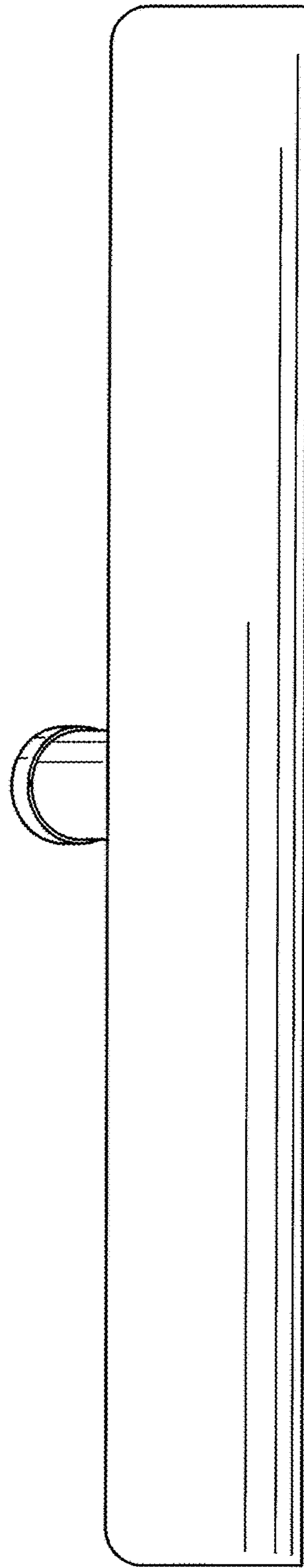


FIG. 6