



US00D786517S

(12) **United States Design Patent** (10) **Patent No.:** **US D786,517 S**  
**Cao et al.** (45) **Date of Patent:** **\*\* May 9, 2017**

(54) **CLEANER**  
(71) Applicants: **JIANGSU MIDEA CLEANING APPLIANCES CO., LTD**, Suzhou (CN); **MIDEA GROUP CO., LTD**, Foshan (CN)  
(72) Inventors: **Pei Cao**, Suzhou (CN); **Yang Gu**, Suzhou (CN)  
(73) Assignees: **JIANGSU MIDEA CLEANING APPLIANCES CO., LTD**, Suzhou, Jiangsu (CN); **MIDEA GROUP CO., LTD**, Foshan, Guangdong (CN)

D506,042 S \* 6/2005 Griffin ..... D32/21  
D534,696 S \* 1/2007 Choi ..... D32/21  
D567,458 S \* 4/2008 Jiang ..... D32/15  
D596,359 S \* 7/2009 Hollis ..... D32/21  
D618,870 S \* 6/2010 Williams ..... D32/24  
D646,030 S \* 9/2011 Carr ..... D32/21  
D724,801 S \* 3/2015 Yoon ..... D32/21  
D730,599 S \* 5/2015 Uim ..... D32/18  
D737,006 S \* 8/2015 Heck ..... D32/21  
D744,178 S \* 11/2015 Choi ..... D32/21  
D749,282 S \* 2/2016 Kim ..... D32/18  
D749,283 S \* 2/2016 Kim ..... D32/18  
D749,285 S \* 2/2016 Kim ..... D32/31  
D752,831 S \* 3/2016 Kim ..... D32/18  
D760,969 S \* 7/2016 Kim ..... D32/18

\* cited by examiner

(\*\*) Term: **15 Years**

(21) Appl. No.: **29/543,686**

(22) Filed: **Oct. 27, 2015**

(51) **LOC (10) Cl.** ..... **15-05**

(52) **U.S. Cl.**  
USPC ..... **D32/17**

(58) **Field of Classification Search**  
USPC ..... D32/1, 21, 31, 18  
CPC ..... A47L 5/28; A47L 9/1633; A47L 2201/04;  
A47L 2201/00

See application file for complete search history.

(56) **References Cited**

**U.S. PATENT DOCUMENTS**

D343,934 S \* 2/1994 Meelen ..... D32/21  
D381,779 S \* 7/1997 Pritchett ..... D32/22  
D405,570 S \* 2/1999 Broecking ..... D32/32  
D418,643 S \* 1/2000 Hoshino ..... D32/21  
D454,994 S \* 3/2002 Harada ..... D32/21  
D462,488 S \* 9/2002 Santiago ..... D32/18  
6,553,612 B1 \* 4/2003 Dyson ..... A47L 5/28  
15/319

*Primary Examiner* — Michael A. Pratt  
*Assistant Examiner* — Michelle E Wilson  
(74) *Attorney, Agent, or Firm* — Hamre, Schumann, Mueller & Larson, P.C.

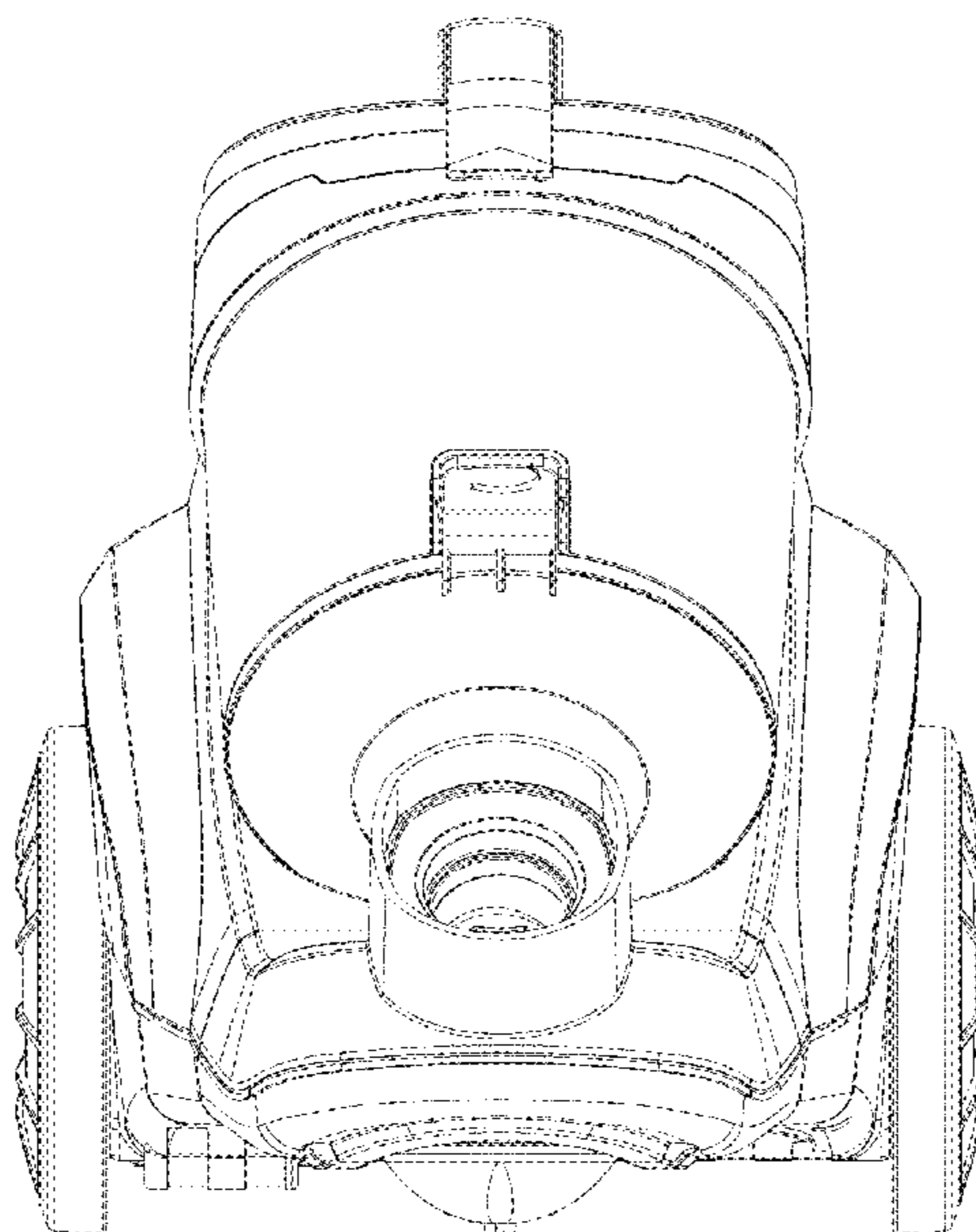
(57) **CLAIM**

The ornamental design for a “cleaner,” as shown and described.

**DESCRIPTION**

FIG. 1 is a front view of the cleaner;  
FIG. 2 is a rear view of the cleaner;  
FIG. 3 is a left side view of the cleaner;  
FIG. 4 is a right side view of the cleaner;  
FIG. 5 is a top view of the cleaner;  
FIG. 6 is a bottom view of the cleaner;  
FIG. 7 is one perspective view of the cleaner; and,  
FIG. 8 is another perspective view of the cleaner.  
The broken lines showing in the figures are for illustrative purposes only and form no part of the claimed design.

**1 Claim, 8 Drawing Sheets**



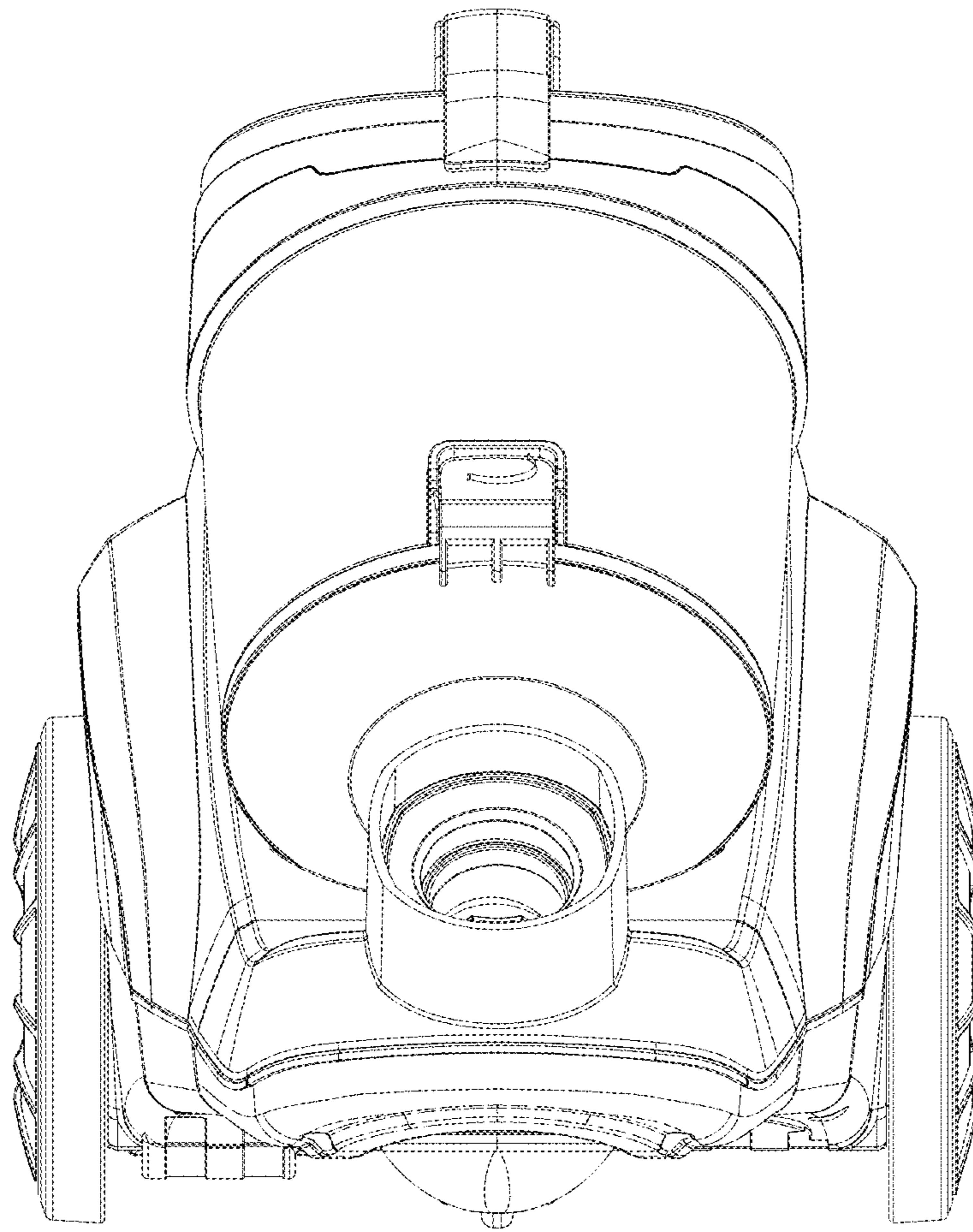


FIG. 1

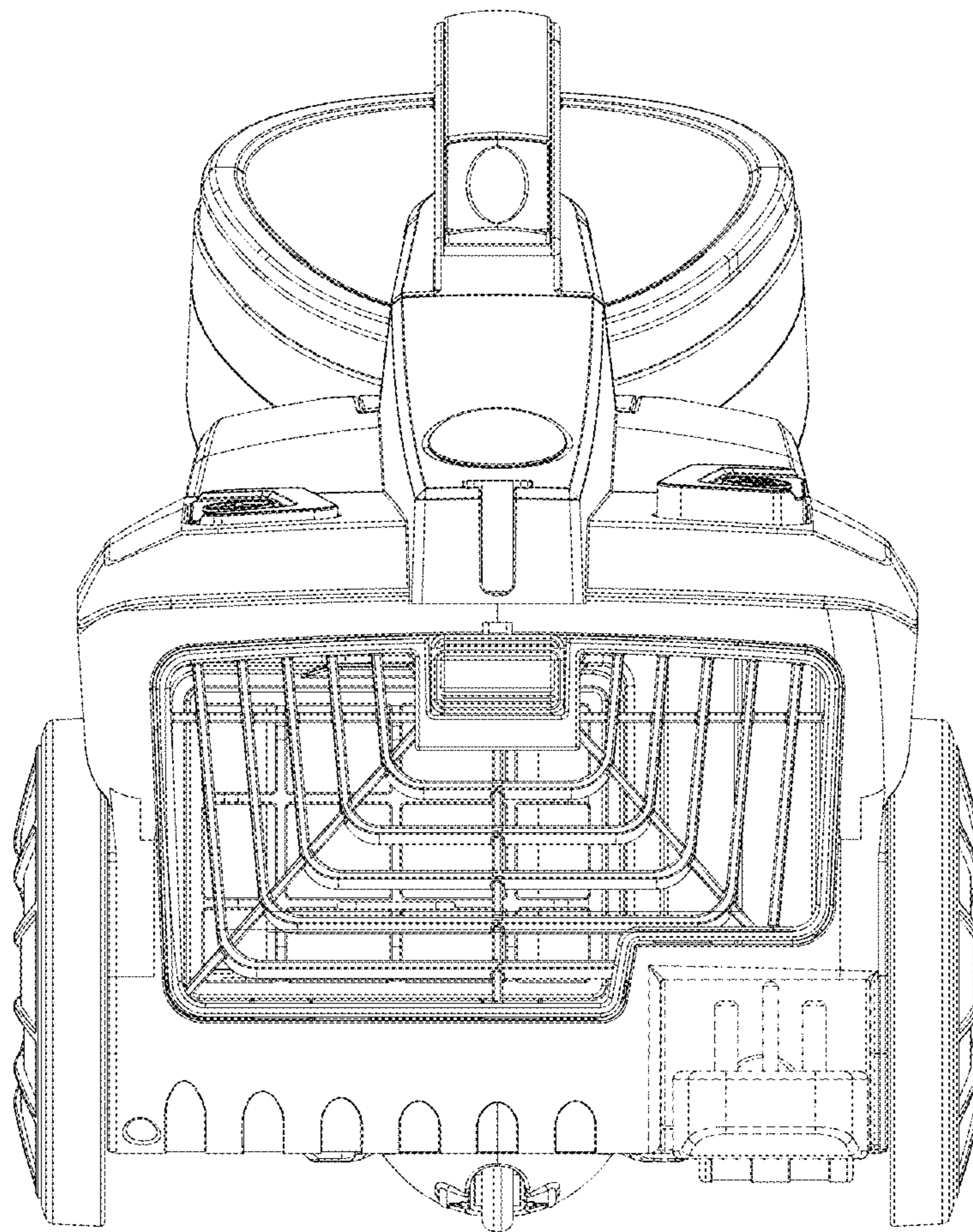


FIG. 2

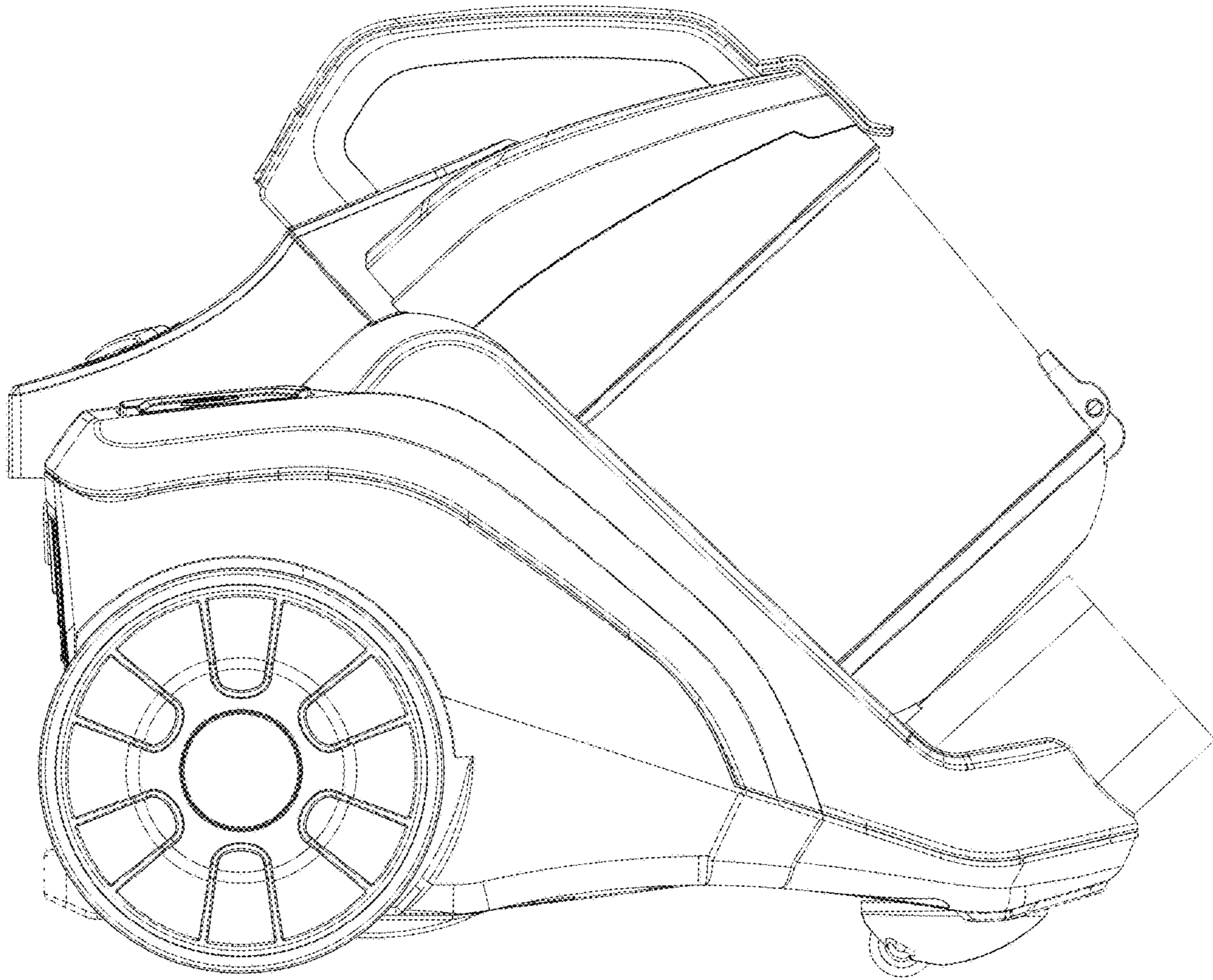


FIG. 3

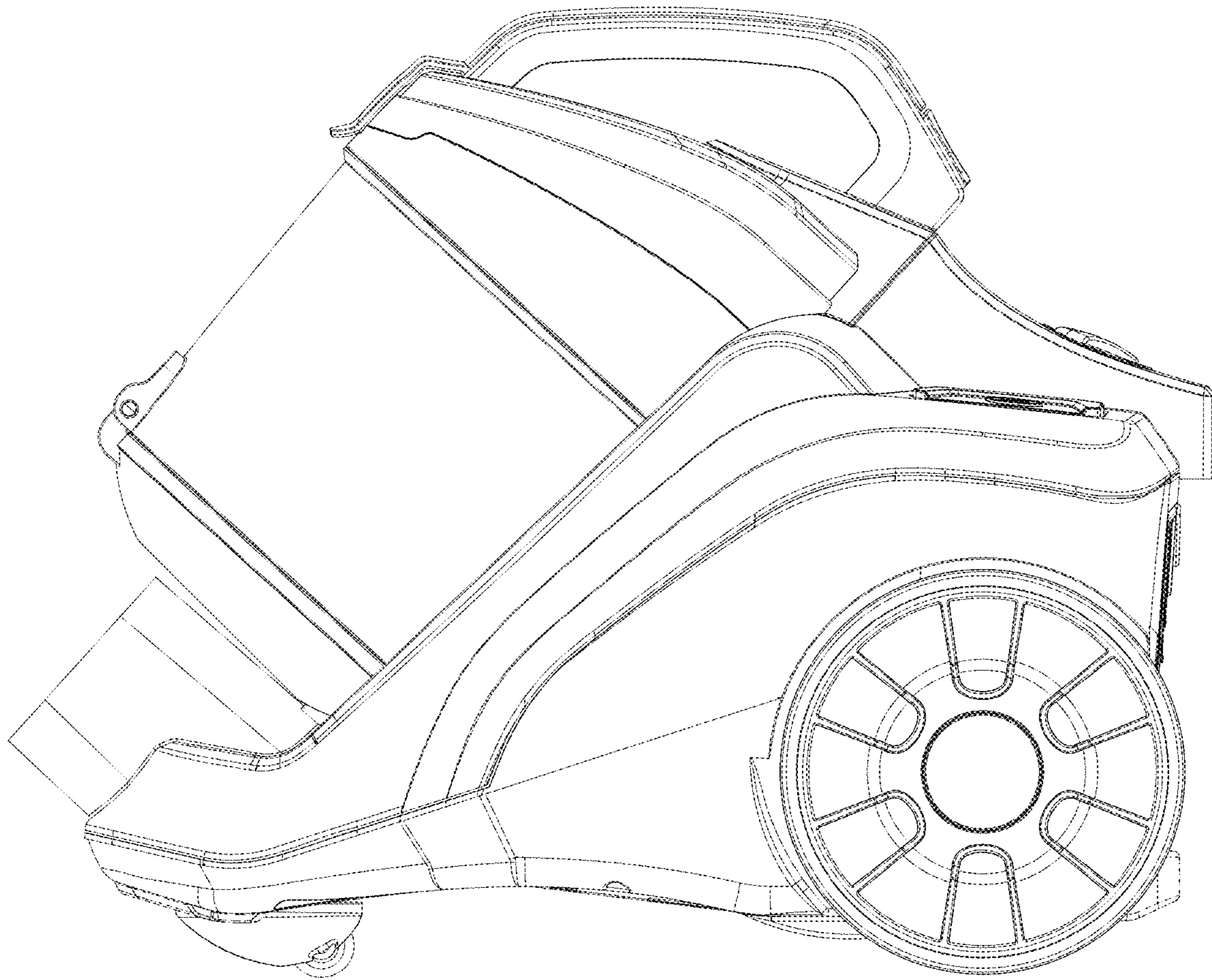


FIG. 4

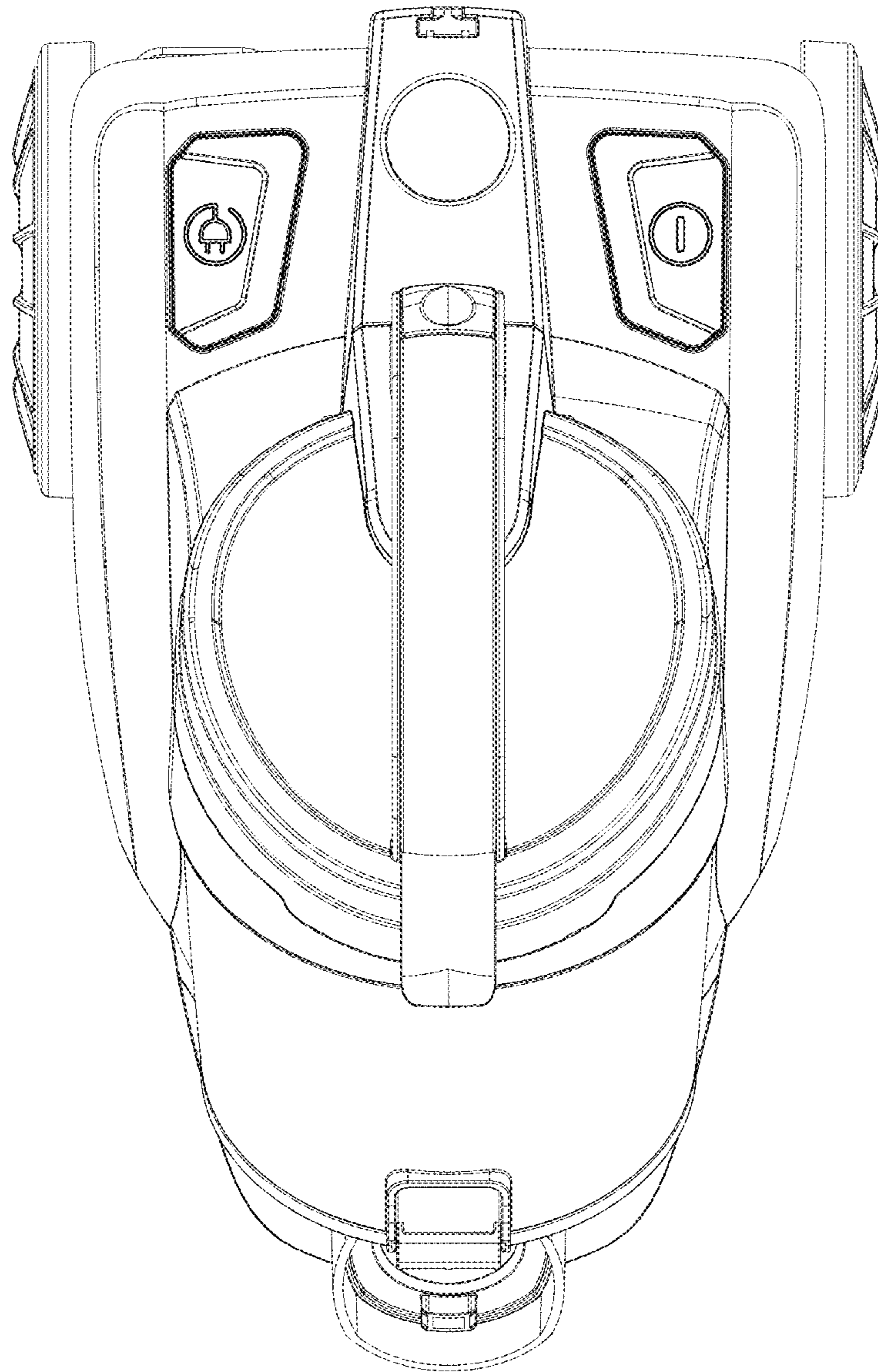


FIG. 5

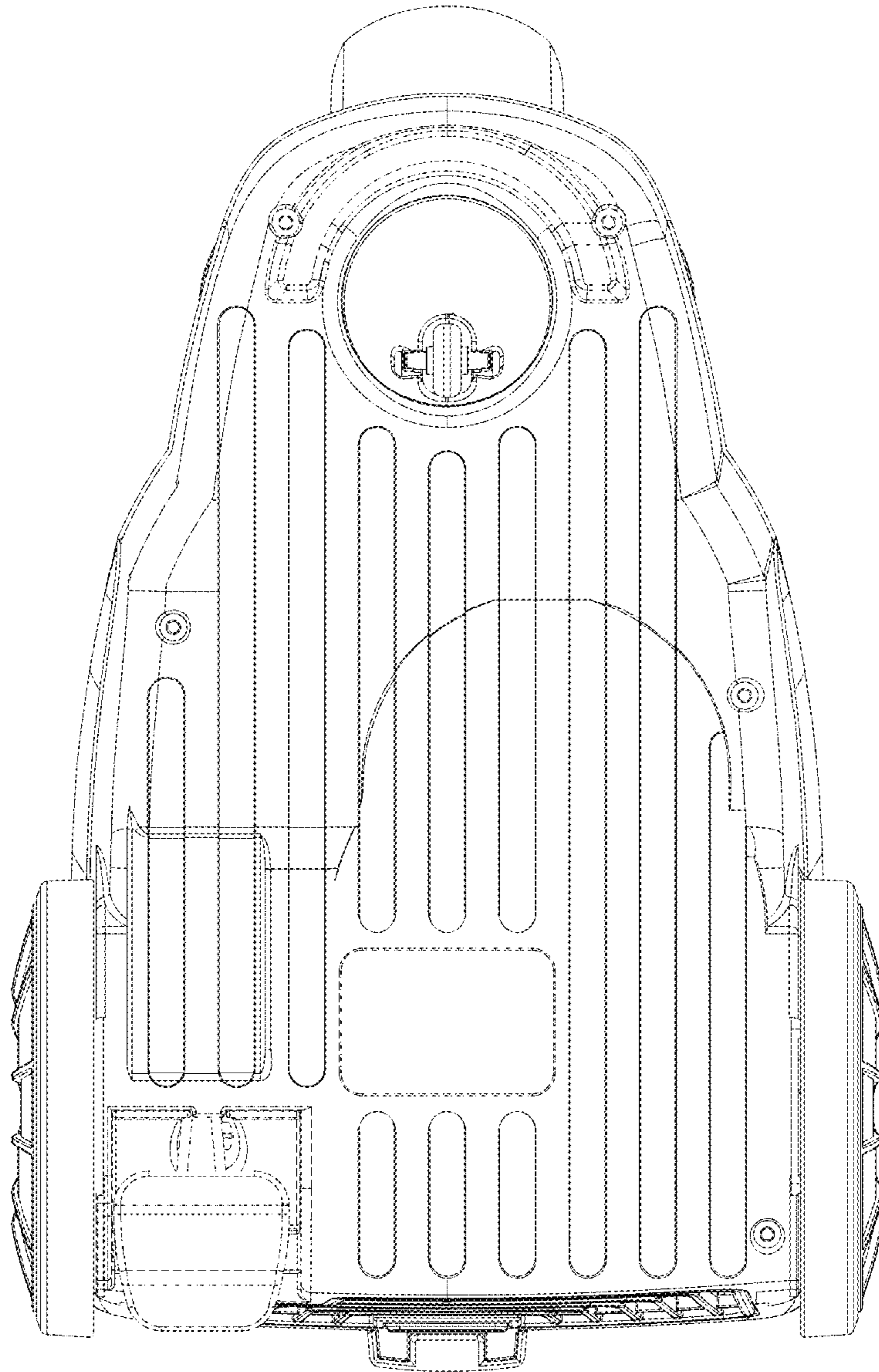


FIG. 6

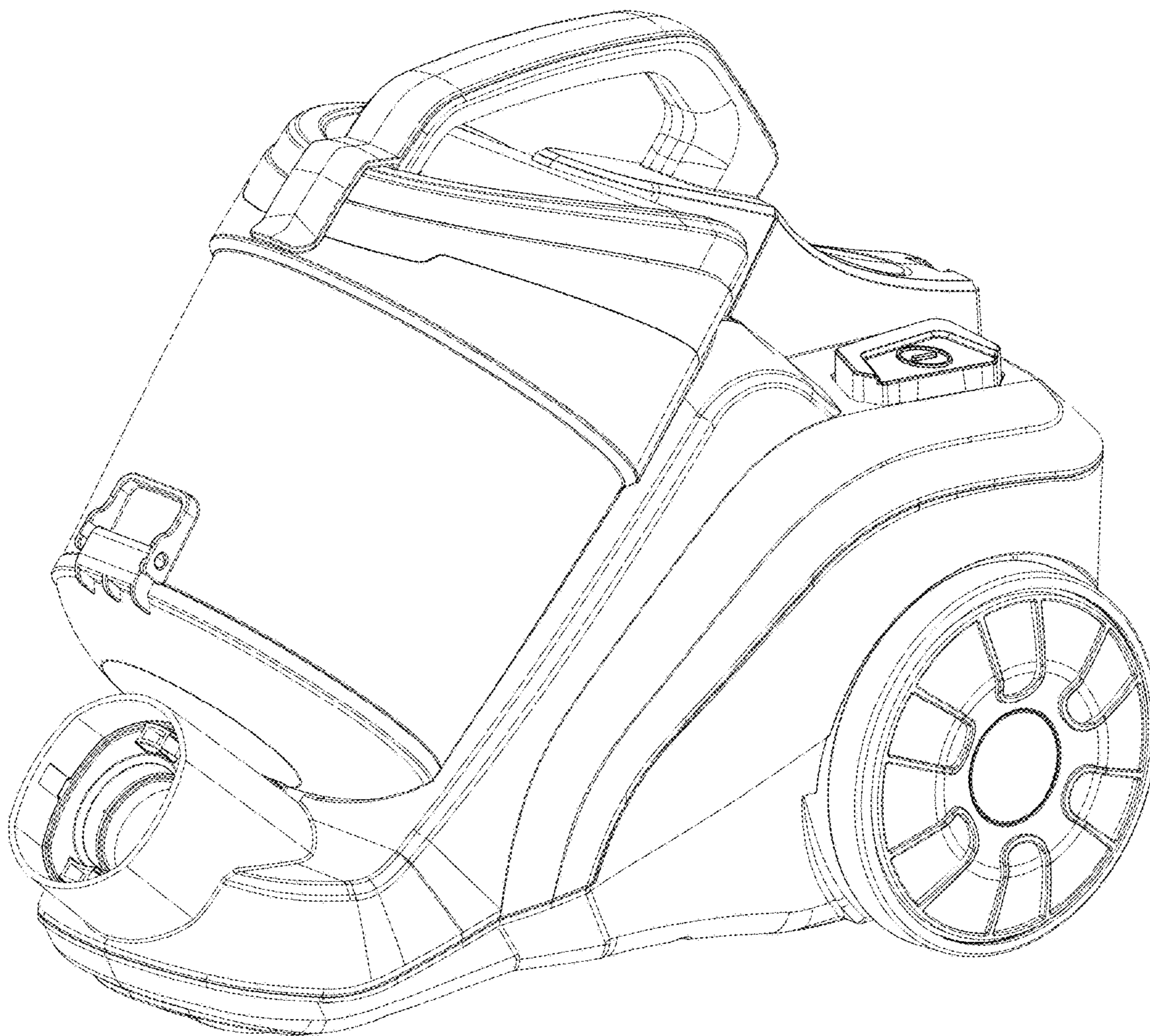


FIG. 7



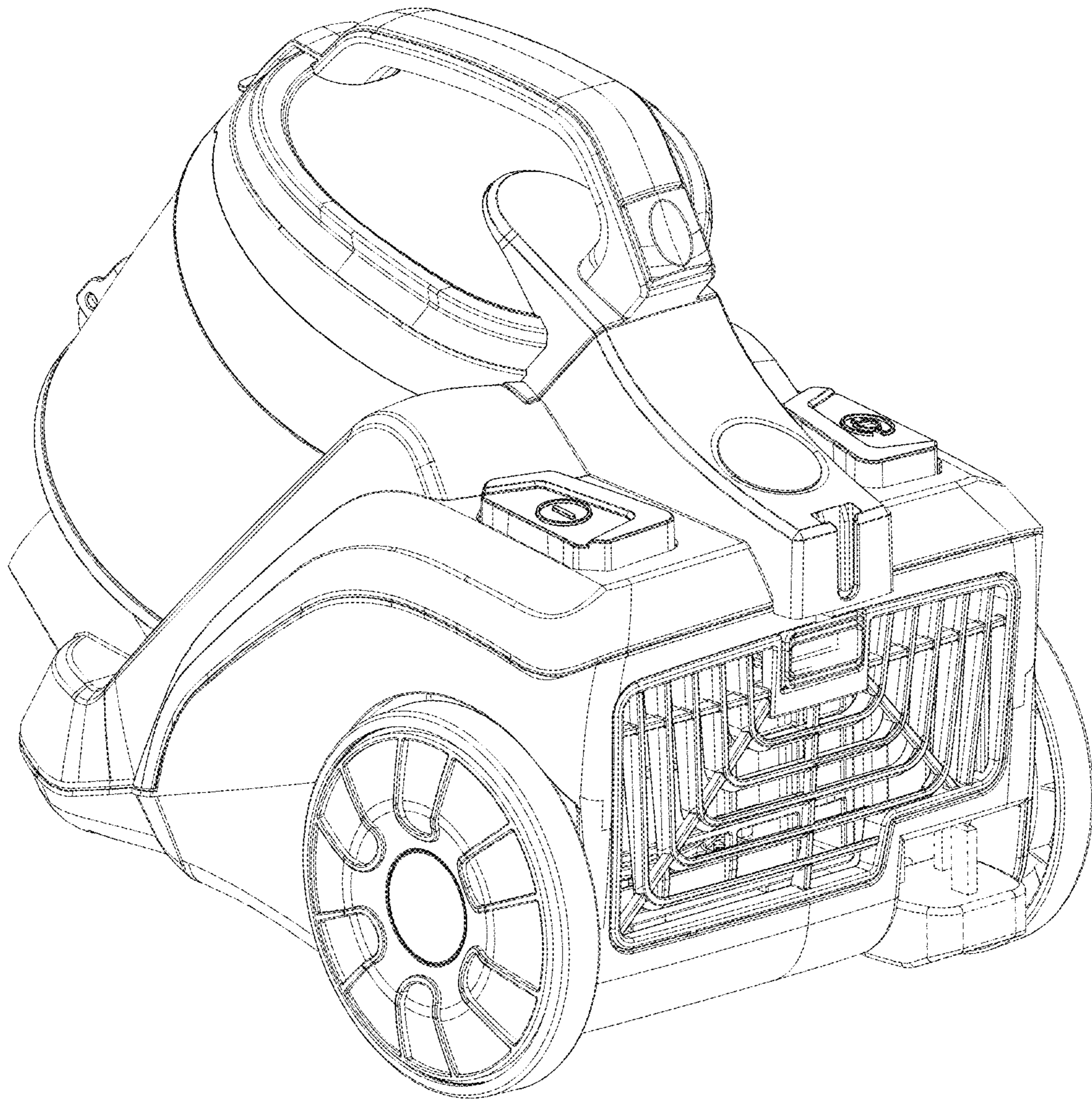


FIG. 8