



US00D786516S

(12) **United States Design Patent** (10) **Patent No.:** **US D786,516 S**
Pindzola et al. (45) **Date of Patent:** **** May 9, 2017**

- (54) **DRYER APPLIANCE** 5,640,783 A * 6/1997 Schumaier A61L 2/07
34/219
- (71) Applicant: **Daniel R. Schumaier**, Elizabethton, TN 5,766,315 A 6/1998 Moredock
(US) 5,852,879 A * 12/1998 Schumaier A61L 2/07
34/218
- (72) Inventors: **Kathryn A. Pindzola**, Johnson City, D406,416 S * 3/1999 Chan D32/1
TN (US); **Daniel R. Schumaier**, D414,304 S * 9/1999 Schumaier D32/1
Johnson City, TN (US) 6,186,179 B1 2/2001 Hill
6,399,920 B1 * 6/2002 Guinn F26B 9/003
219/386
- (73) Assignee: **Daniel R. Schumaier**, Johnson City, D467,394 S * 12/2002 Schumaier D32/1
TN (US) 7,017,276 B2 3/2006 Greenspan et al.
7,129,436 B1 10/2006 Corne
7,340,995 B2 3/2008 Chiang et al.
- (**) Term: **15 Years** (Continued)

(21) Appl. No.: **29/540,905**

FOREIGN PATENT DOCUMENTS

(22) Filed: **Sep. 29, 2015**

CN 202068817 U 12/2011
WO 2012114128 A2 8/2012

(51) **LOC (10) Cl.** **15-05**

(52) **U.S. Cl.**
USPC **D32/1**

(58) **Field of Classification Search**
USPC D32/1-2, 5, 30; D24/174
CPC F26B 9/003; F26B 21/001; F26B 21/003;
F26B 25/001; F26B 25/063; F26B 25/16
See application file for complete search history.

Primary Examiner — Michael A. Pratt
Assistant Examiner — Michelle E Wilson
(74) *Attorney, Agent, or Firm* — Luedeka Neely Group
PC

(57) **CLAIM**

The ornamental design for a dryer appliance, as shown and described.

(56) **References Cited**

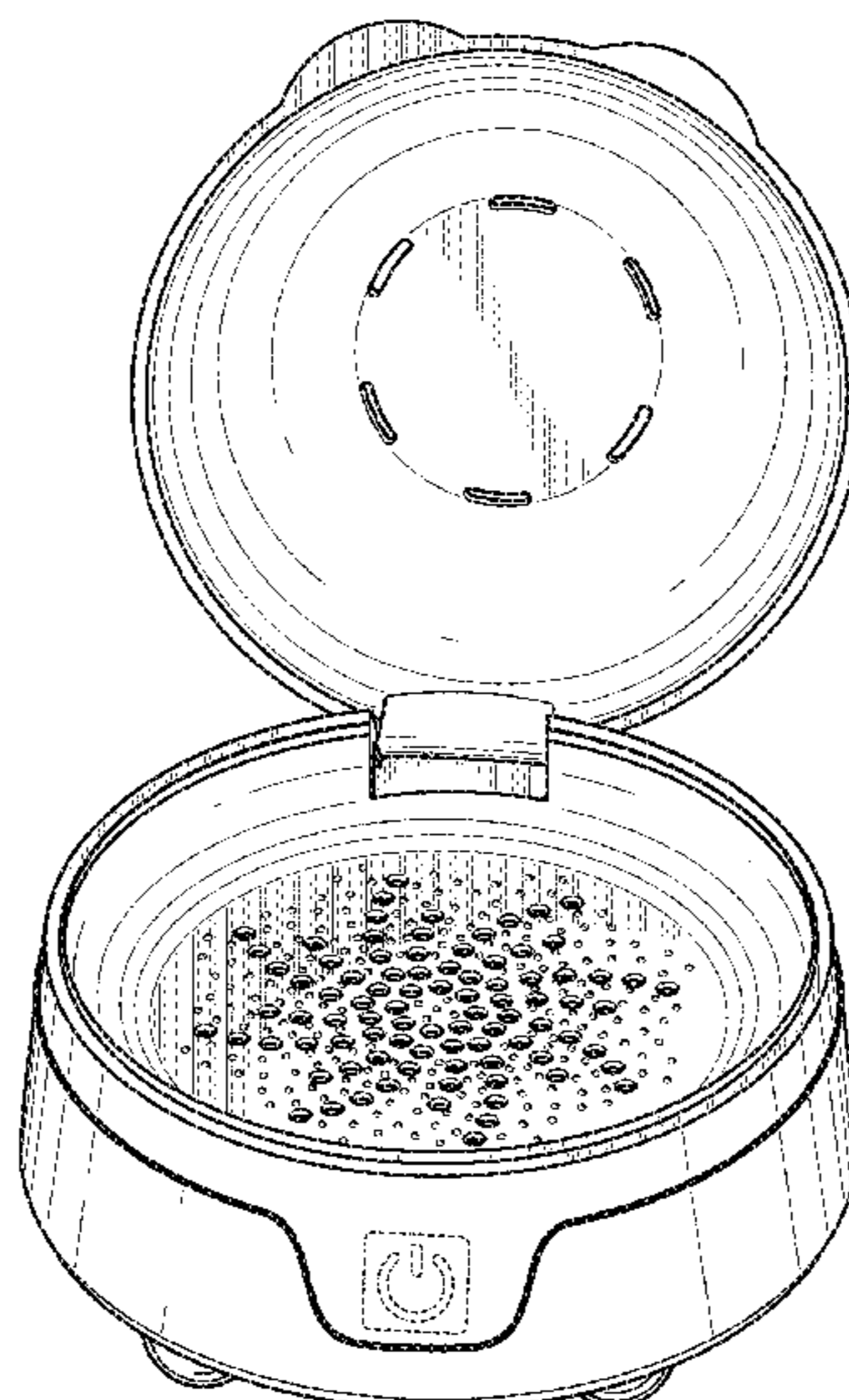
DESCRIPTION

U.S. PATENT DOCUMENTS

- 1,739,082 A 12/1929 Simmons et al.
- 3,469,698 A 9/1969 Blendermann
- 3,501,846 A 3/1970 Melega et al.
- 3,885,931 A 5/1975 Schaller
- D257,489 S * 11/1980 Thomas D24/218
- 4,684,835 A 8/1987 Kline, Jr. et al.
- 4,779,355 A 10/1988 Petros
- D303,442 S * 9/1989 Harrison D32/1
- D317,409 S * 6/1991 Chiarella D3/294
- D324,952 S * 3/1992 Berland D3/203.1
- 5,103,646 A 4/1992 Fini
- 5,322,646 A 6/1994 Wright et al.
- 5,365,630 A * 11/1994 Beckrich G02C 13/008
15/104.92

FIG. 1 is a top perspective view of the dryer appliance showing my new design;
FIG. 2 is a front elevation view thereof;
FIG. 3 is a rear elevation view thereof;
FIG. 4 is a right side elevation view thereof;
FIG. 5 is a left side elevation view thereof;
FIG. 6 is a top plan view thereof; and,
FIG. 7 is a bottom perspective view thereof.
The broken lines shown in the figures are included for the purpose of illustrating environment and form no part of the claimed design.

1 Claim, 7 Drawing Sheets



(56)

References Cited

U.S. PATENT DOCUMENTS

7,585,210	B2	9/2009	Yurcak	
7,597,617	B2	10/2009	Solberg et al.	
7,762,006	B2	7/2010	Kasso	
7,814,678	B2	10/2010	Romanek	
D643,163	S *	8/2011	Kessler	D32/1
8,112,900	B2	2/2012	Romanek	
2004/0244215	A1 *	12/2004	Greenspan	F26B 21/083 34/80
2010/0011613	A1	1/2010	Husung	
2013/0220385	A1	8/2013	Gil	

* cited by examiner

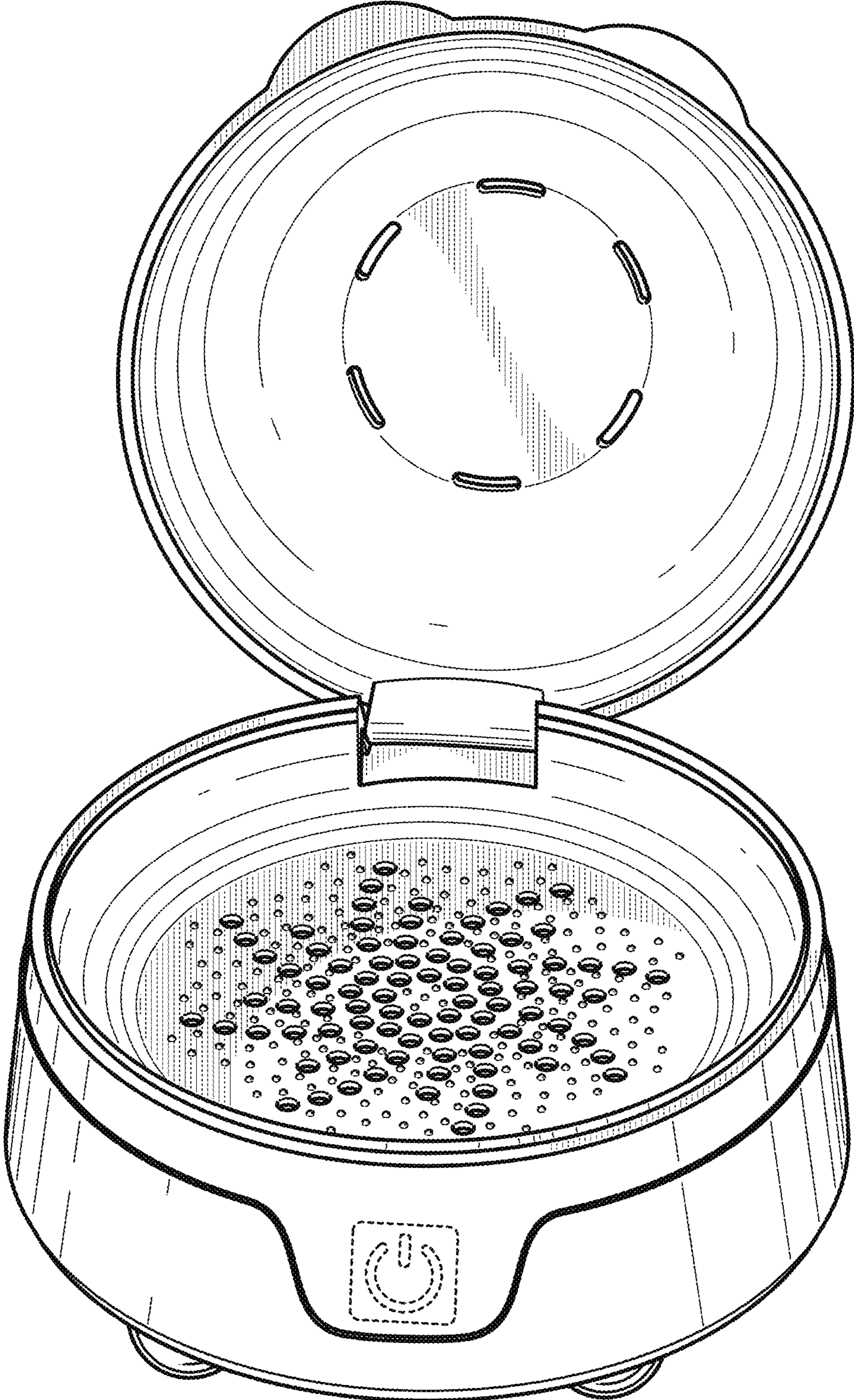


FIG. 1

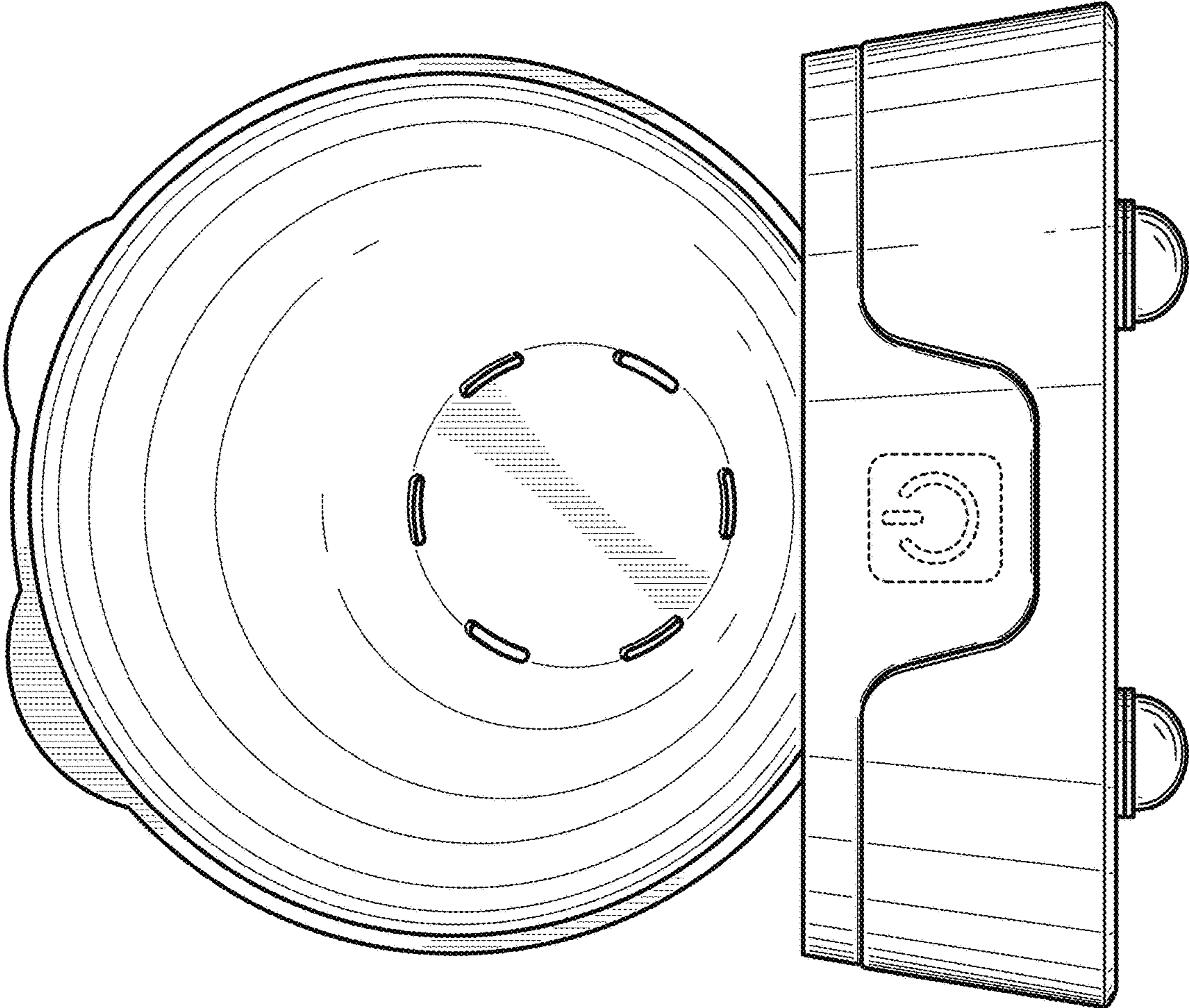


FIG. 2

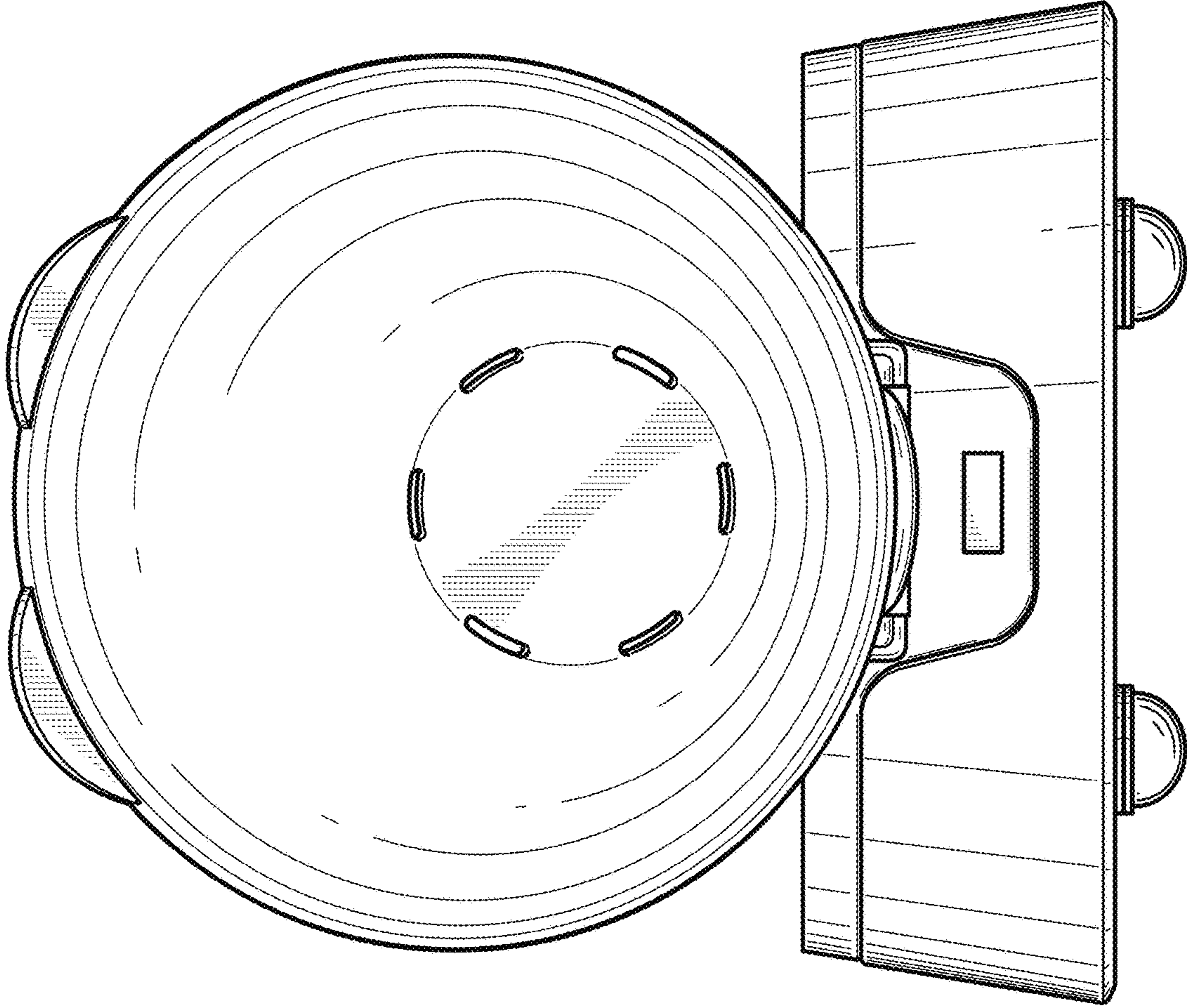


FIG. 3

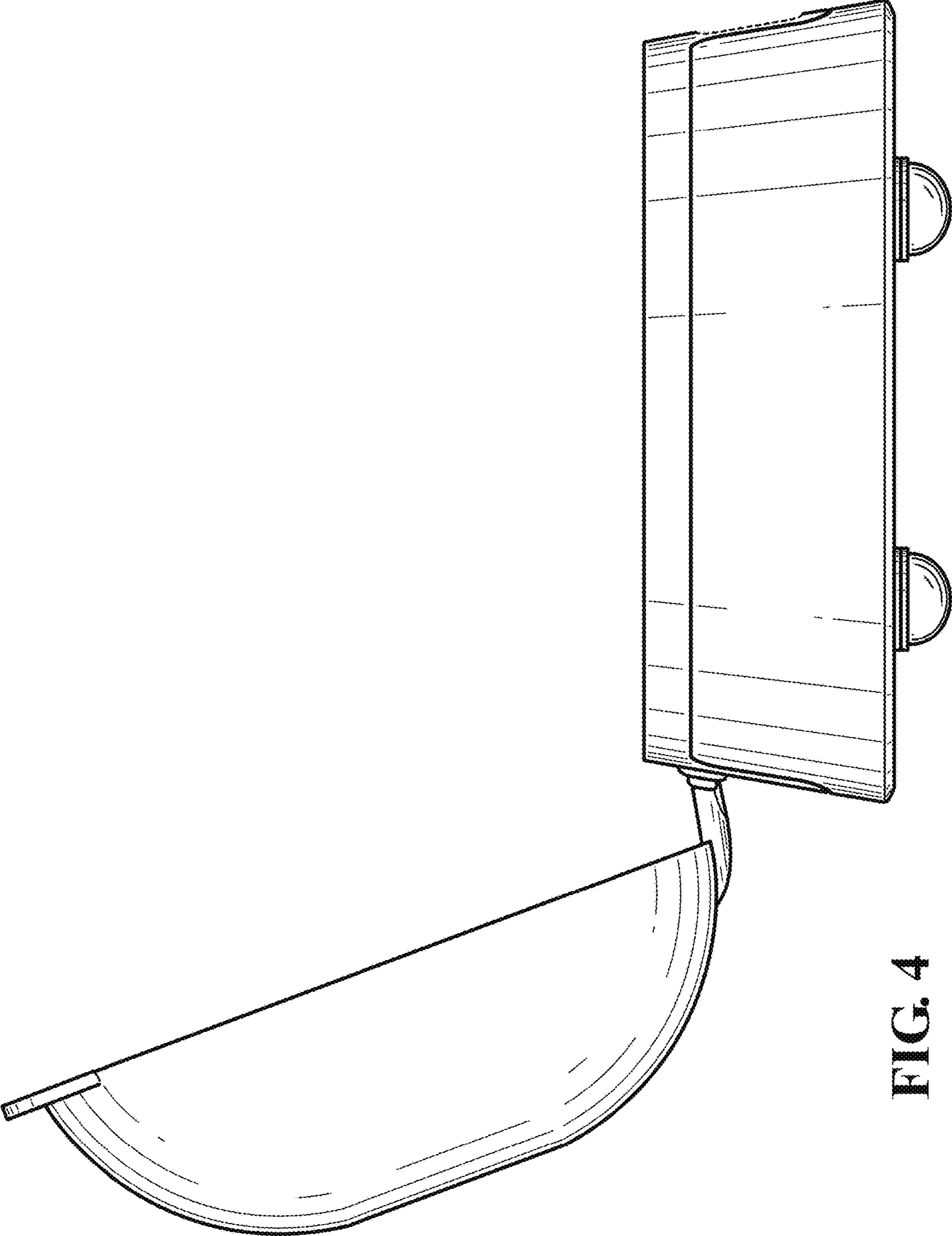


FIG. 4

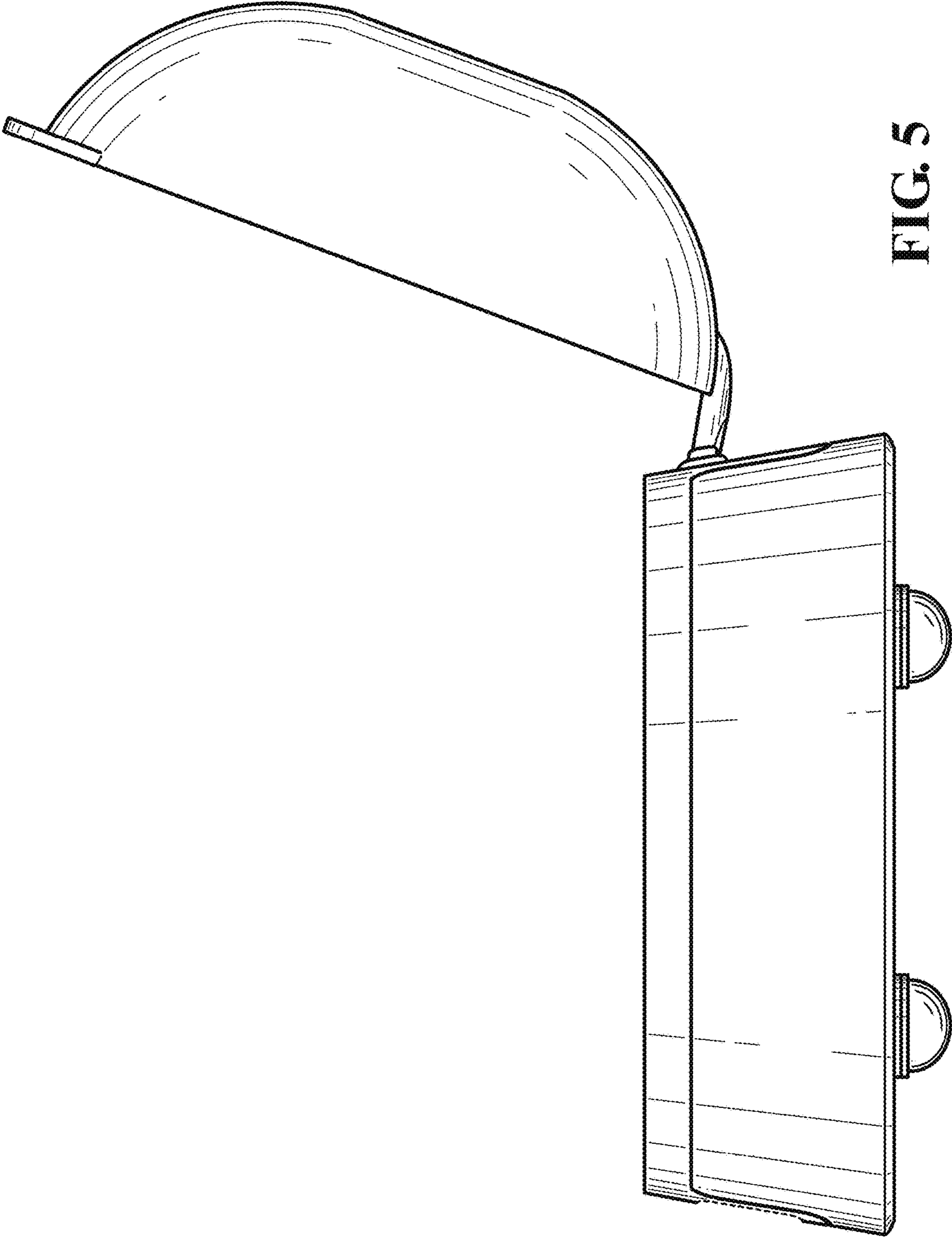


FIG. 5

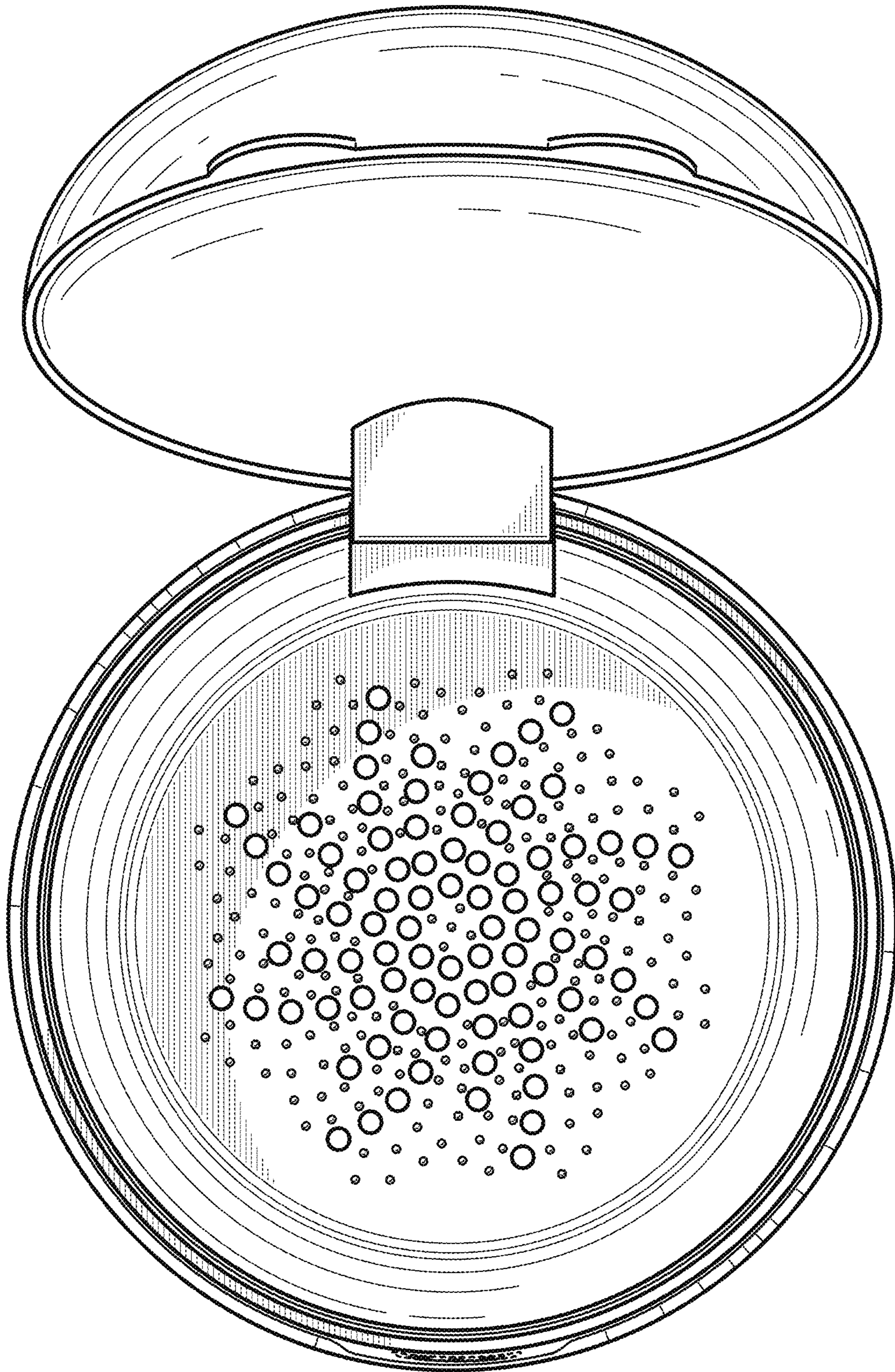


FIG. 6

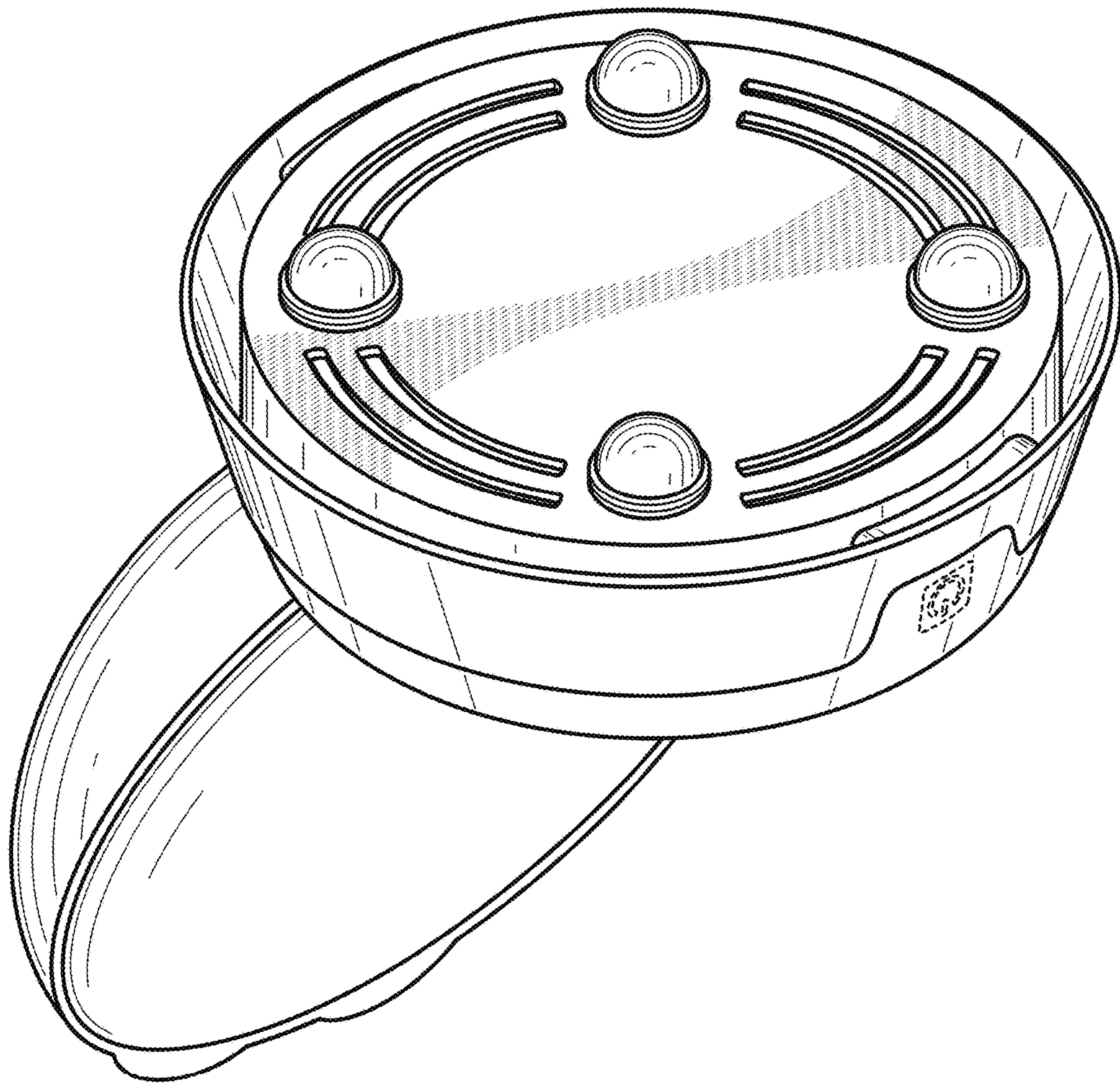


FIG. 7