



US00D786513S

(12) **United States Design Patent**
Tome

(10) **Patent No.:** **US D786,513 S**

(45) **Date of Patent:** **** May 9, 2017**

(54) **LARGE PET TOY BALL**

(71) Applicant: **Jeffrey Alan Tome**, New York, NY
(US)

(72) Inventor: **Jeffrey Alan Tome**, New York, NY
(US)

(**) Term: **15 Years**

(21) Appl. No.: **29/535,994**

(22) Filed: **Aug. 12, 2015**

(51) **LOC (10) Cl.** **30-99**

(52) **U.S. Cl.**
USPC **D30/160; D30/121**

(58) **Field of Classification Search**
USPC D30/121, 158, 160; D21/460-464,
D21/478-479, 707, 713; D24/194, 211
CPC .. A01K 15/024; A01K 15/025; A01K 15/026;
A01K 15/027; A63B 69/00; A63B 69/34;
A63B 69/004; A63H 3/06
See application file for complete search history.

(56) **References Cited**

U.S. PATENT DOCUMENTS

D340,489 S * 10/1993 Evangelista D21/713
D511,029 S * 10/2005 Willinger D21/713

D665,135 S * 8/2012 Gick D30/160
D680,698 S * 4/2013 McWilliams D30/121
D706,875 S * 6/2014 Saber D21/707

* cited by examiner

Primary Examiner — Cathy Anne MacCormac

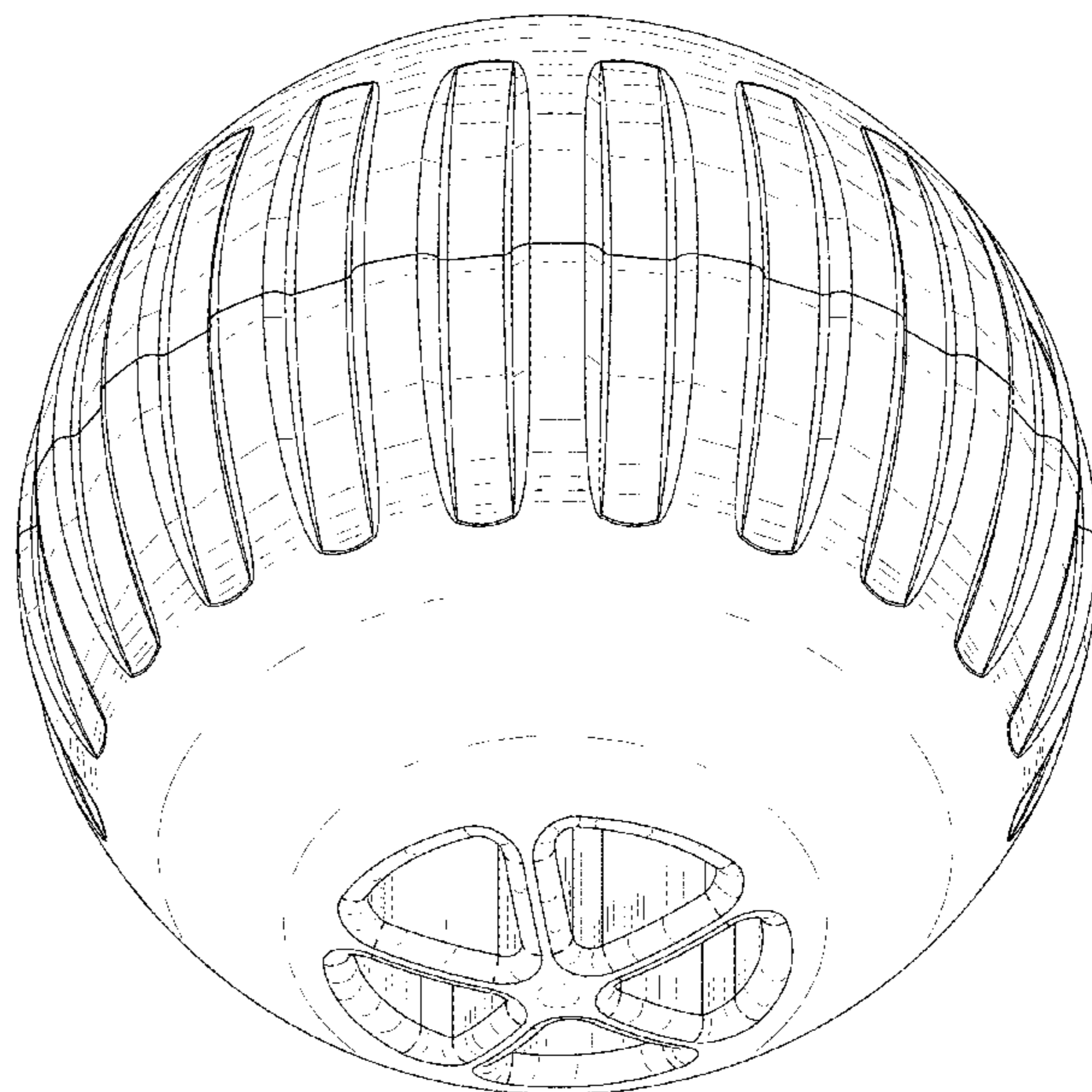
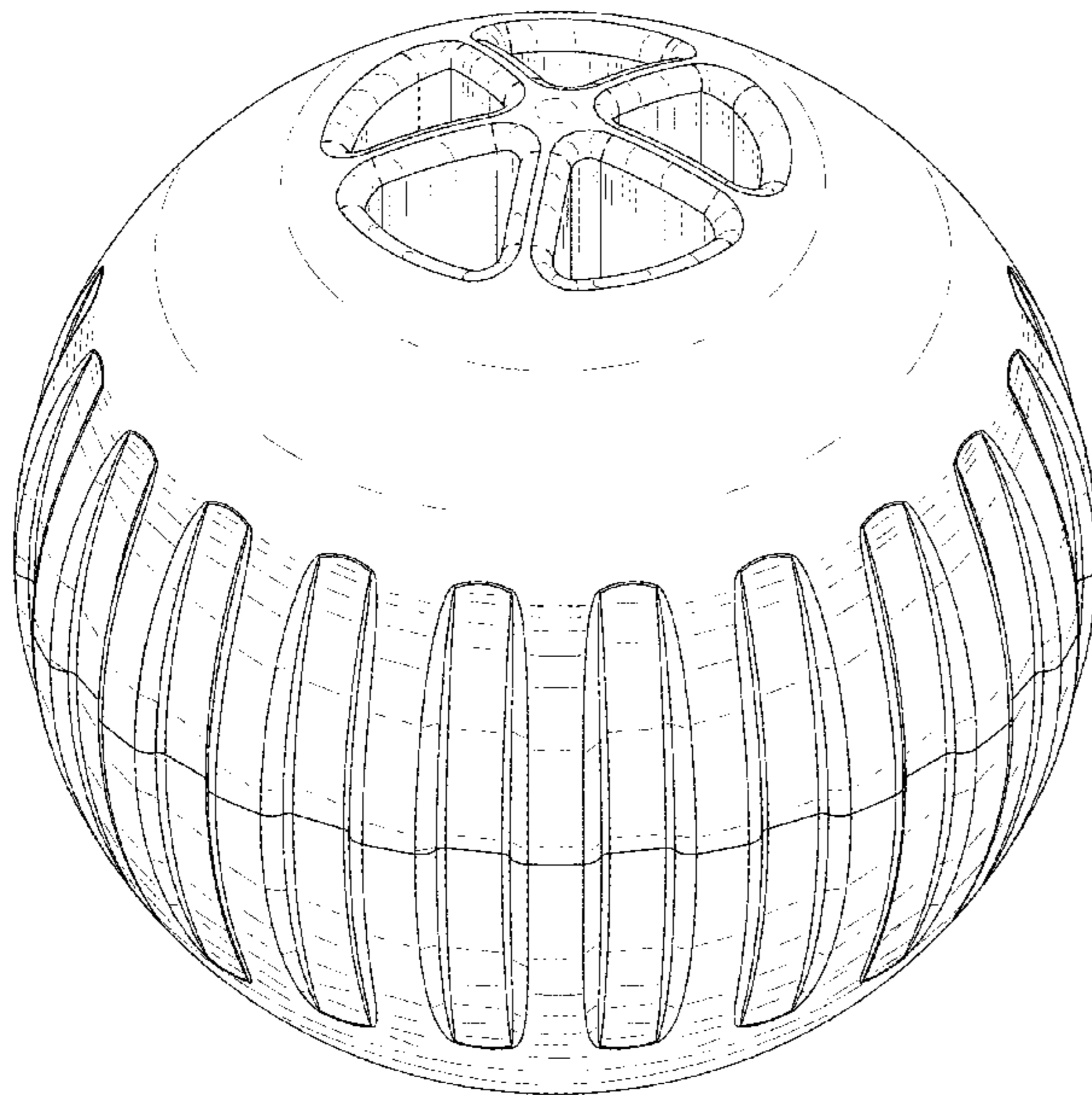
(57) **CLAIM**

The ornamental design for a large pet toy ball, as shown and described.

DESCRIPTION

FIG. 1 is a top isometric view of large pet toy ball showing my new design;
FIG. 2 is a bottom isometric view thereof;
FIG. 3 is a front view thereof;
FIG. 4 is a rear view thereof;
FIG. 5 is a left side view thereof;
FIG. 6 is a right side view thereof;
FIG. 7 is a top plan view thereof; and,
FIG. 8 is a bottom plan view thereof.

1 Claim, 8 Drawing Sheets



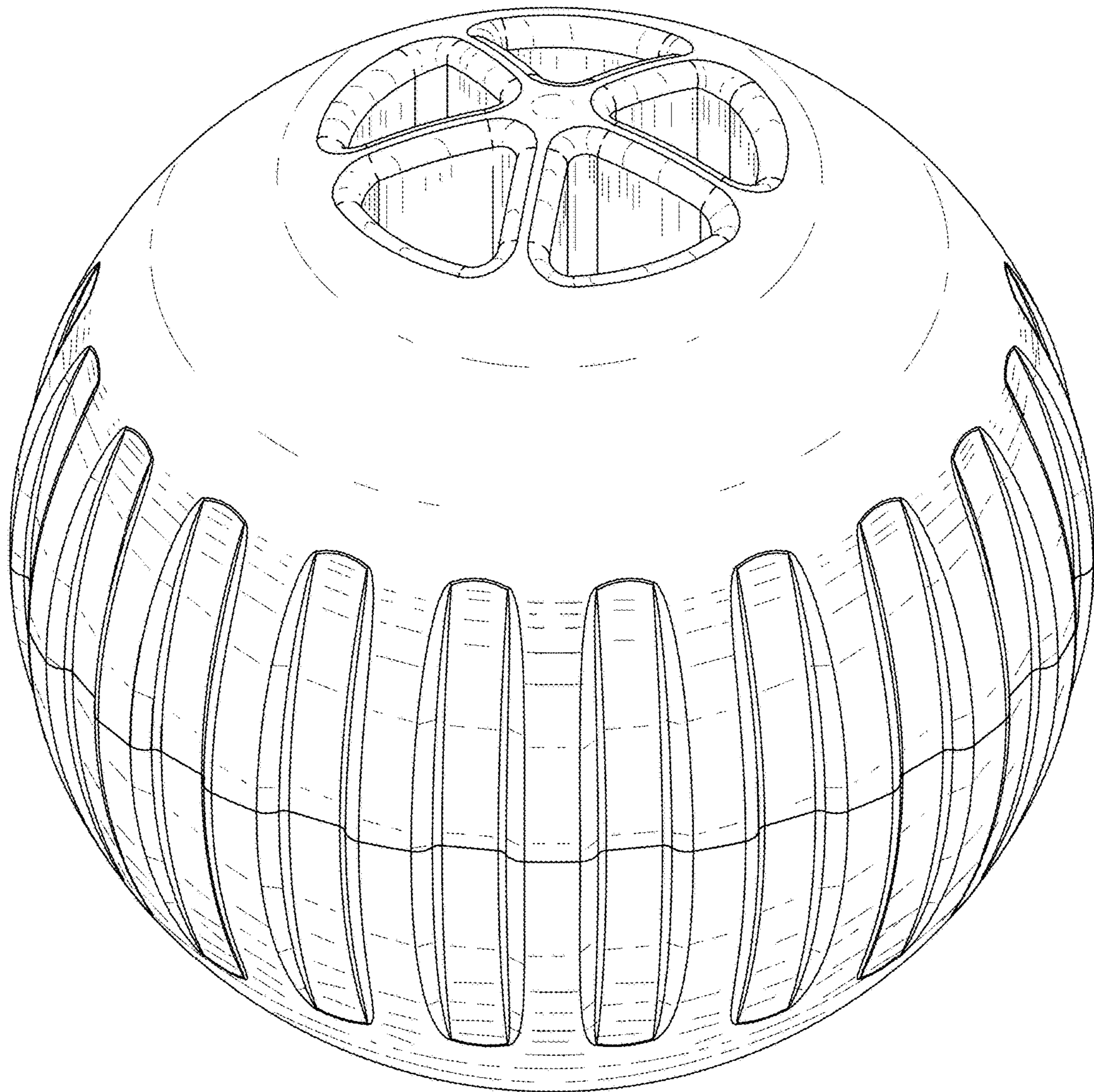


FIG. 1

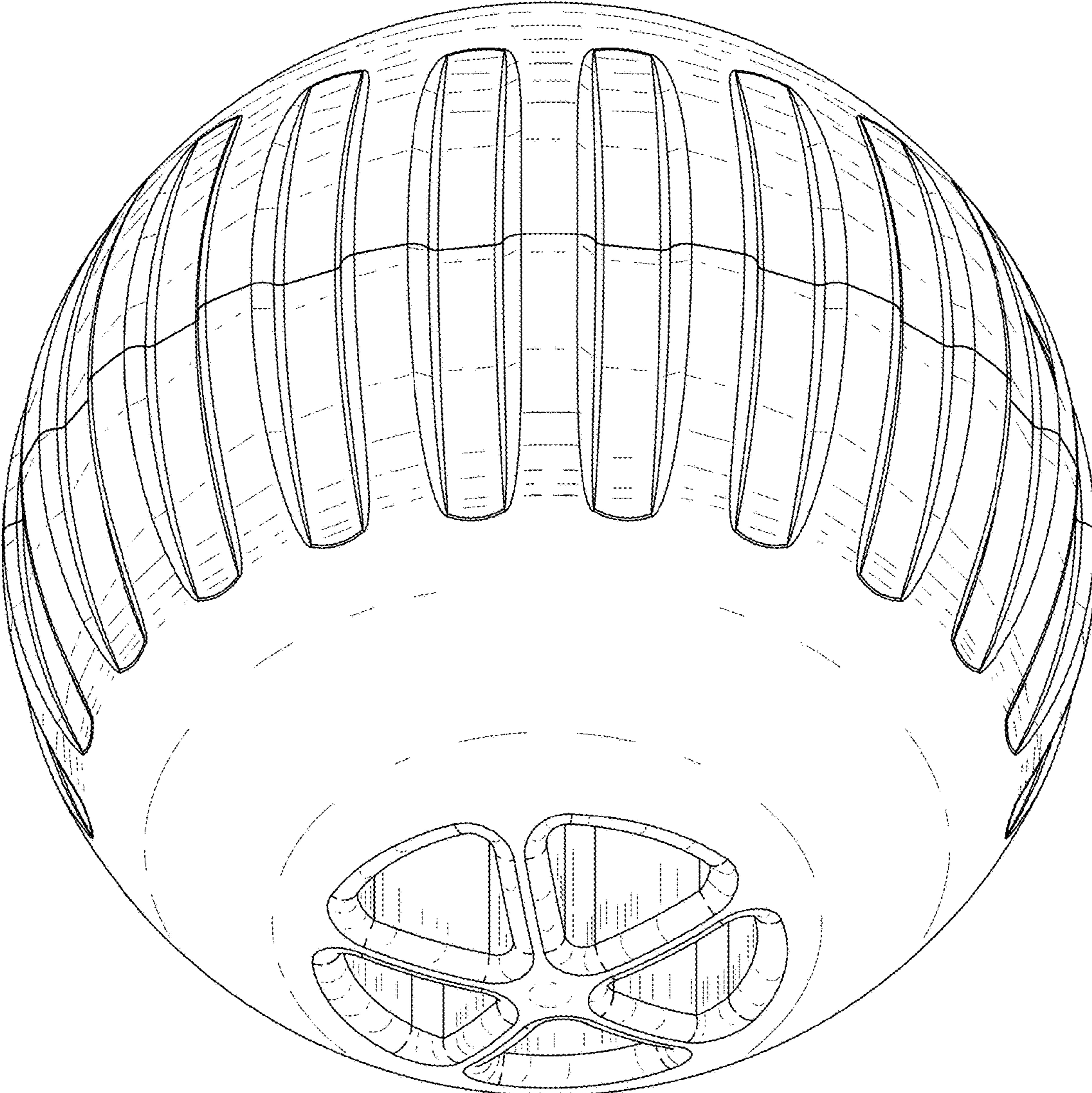


FIG. 2

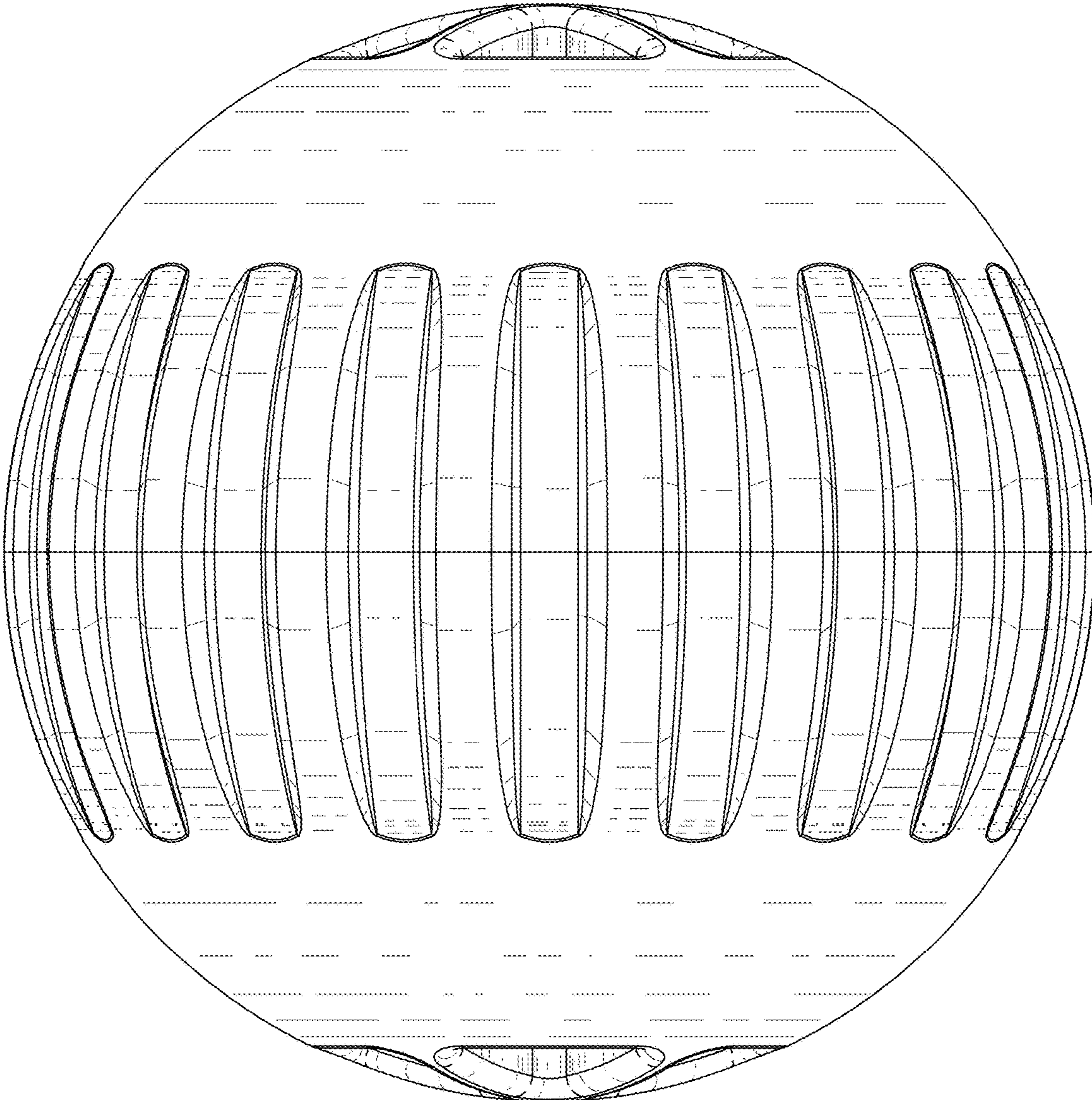


FIG. 3

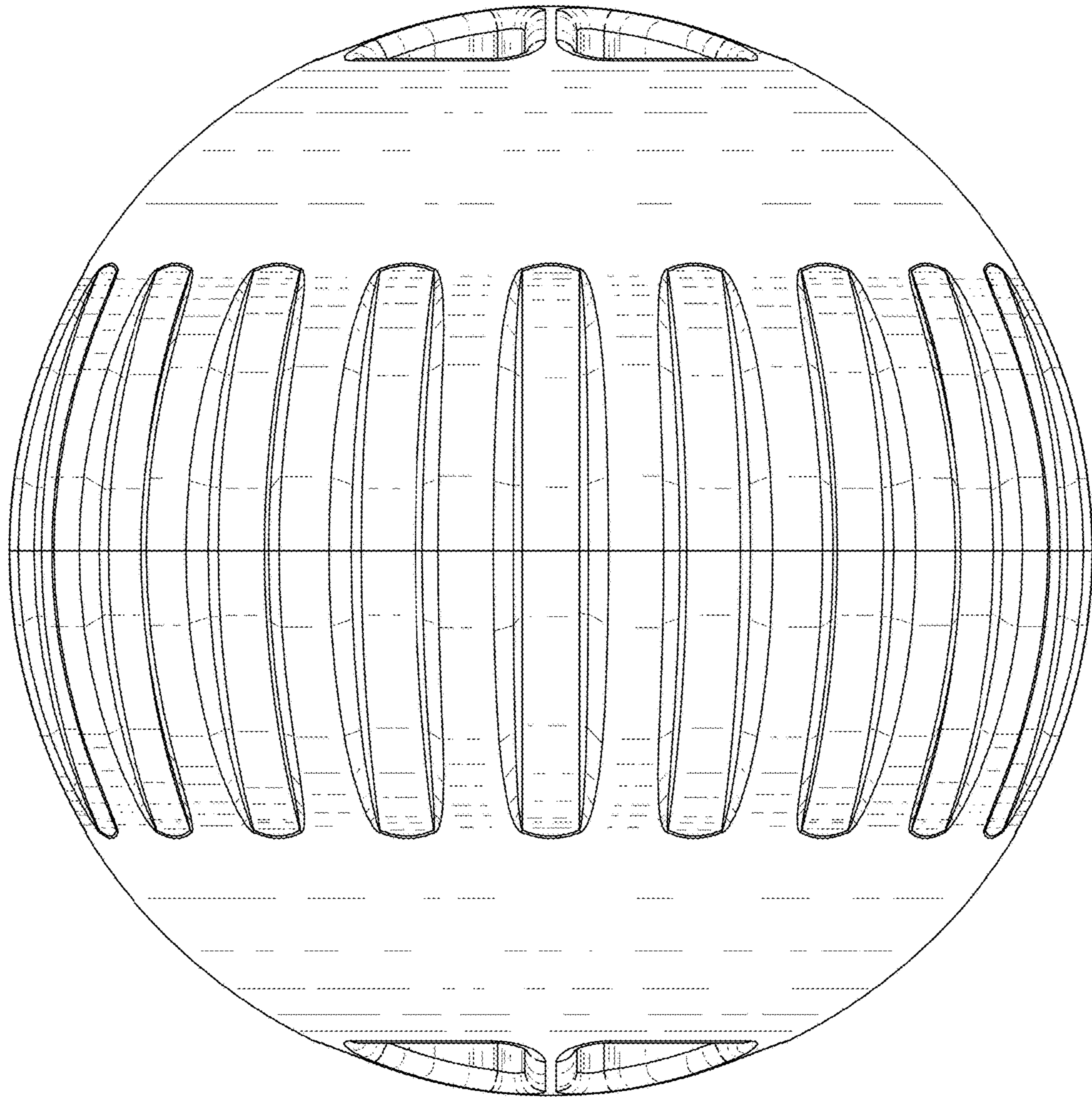


FIG. 4

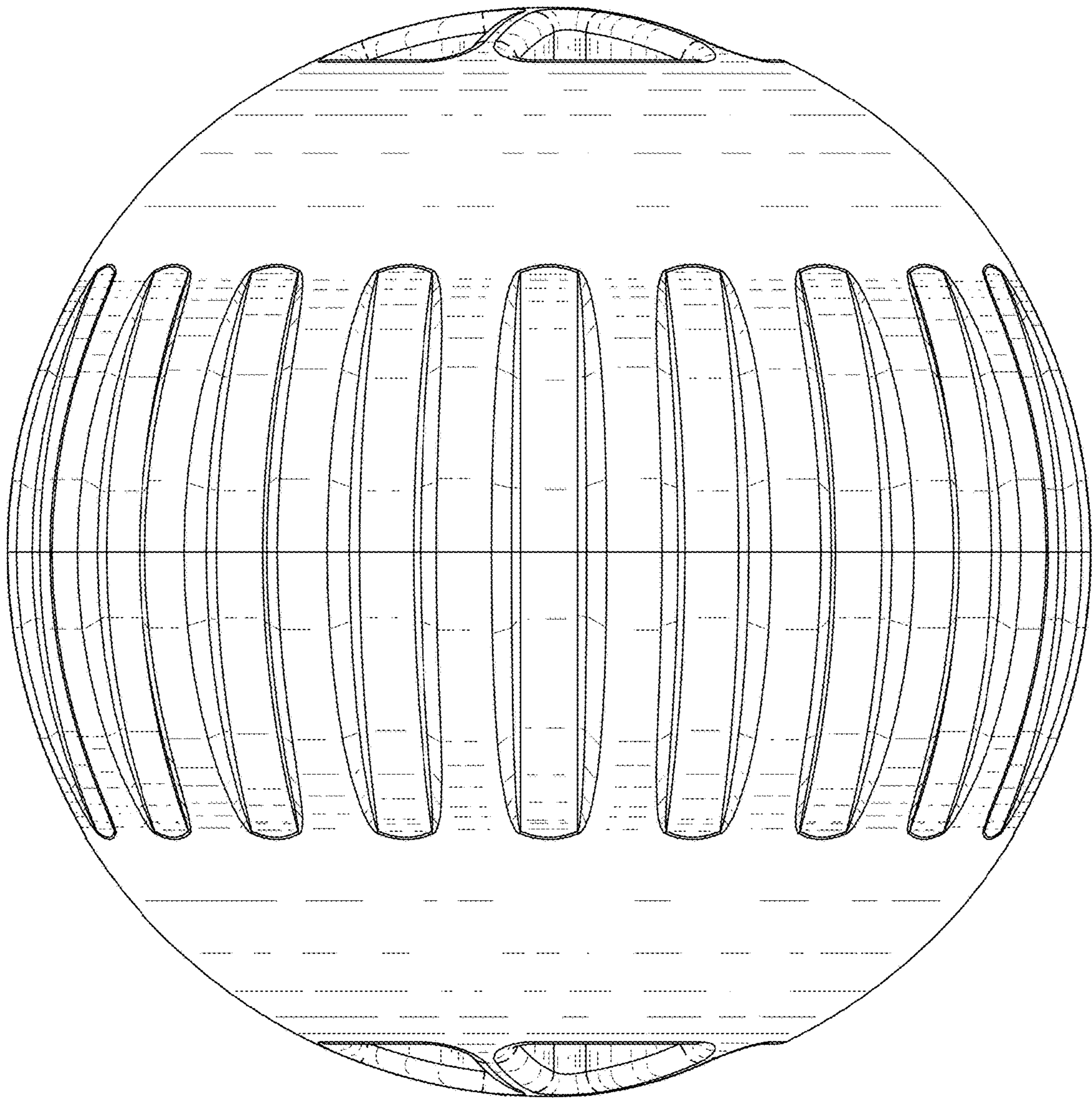


FIG. 5

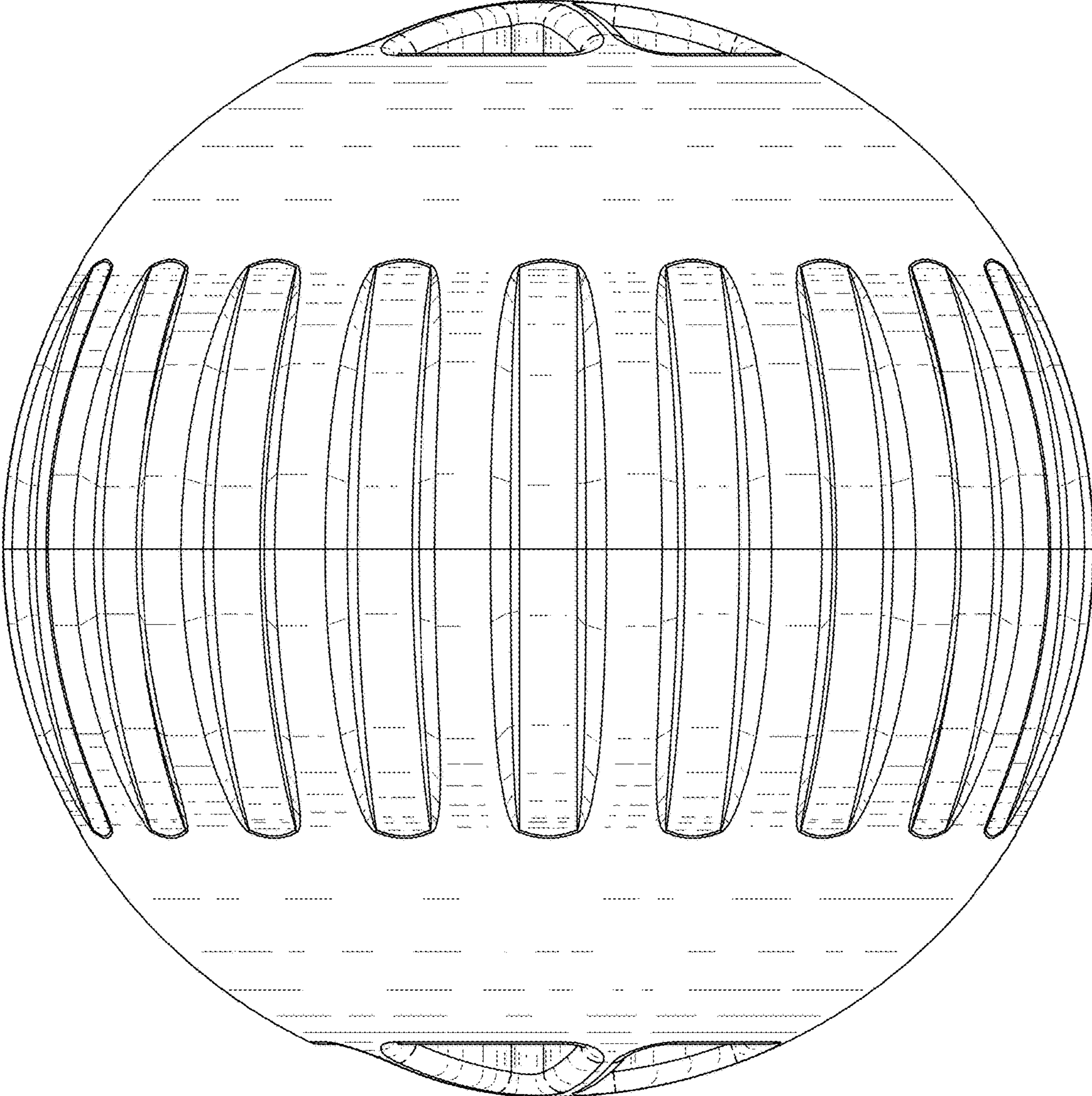


FIG. 6

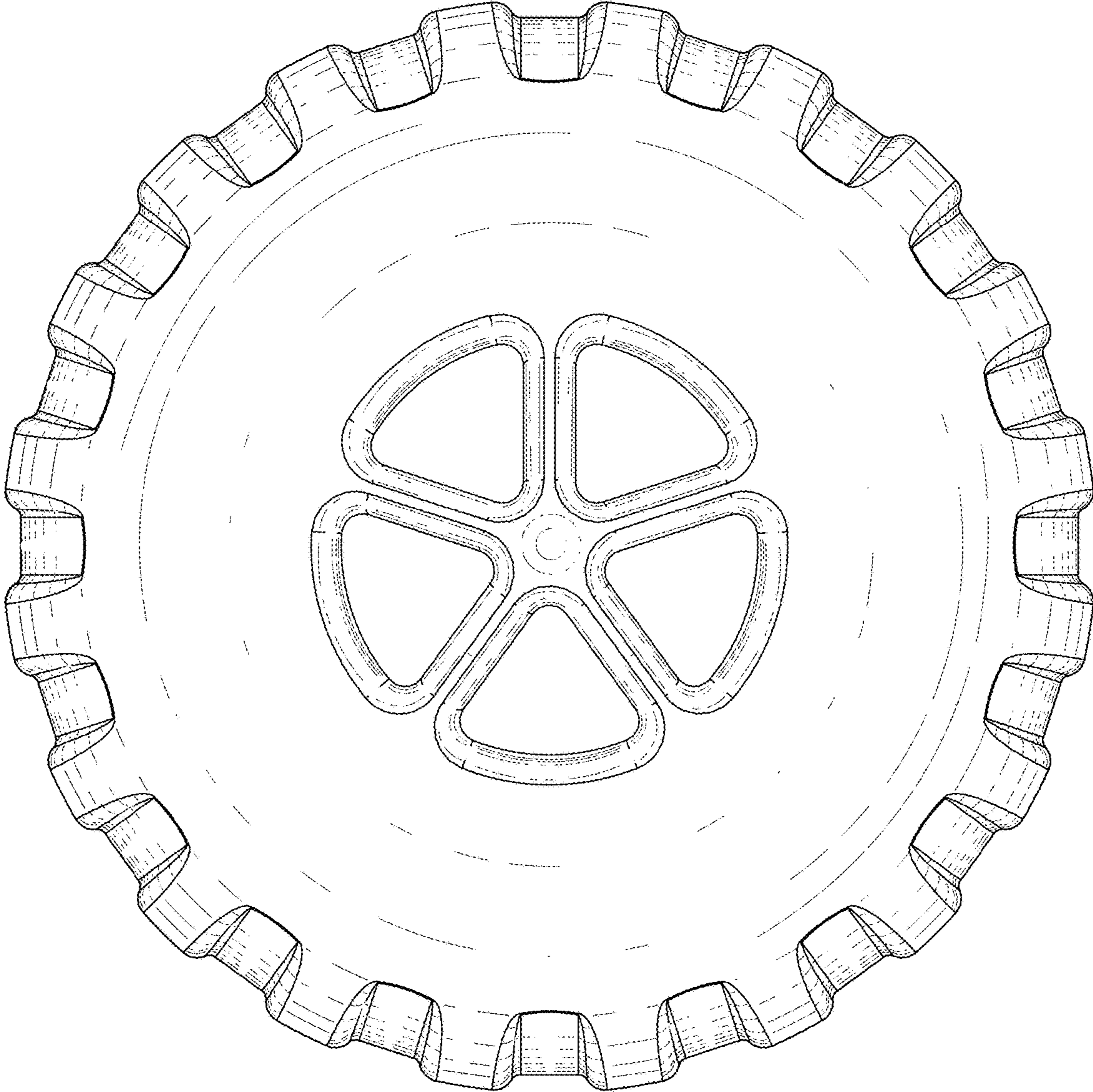


FIG. 7

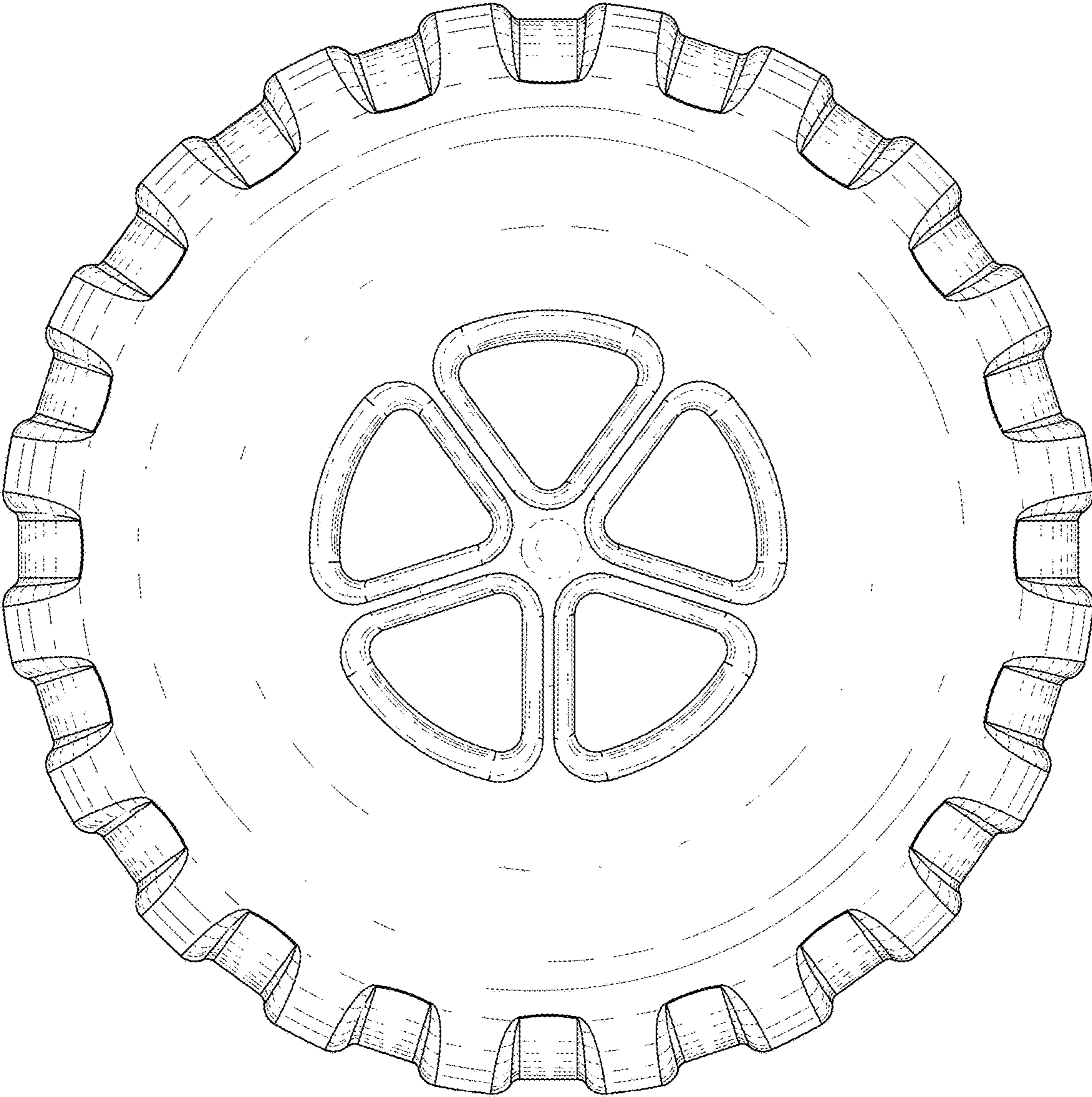


FIG. 8