



US00D786511S

(12) **United States Design Patent** (10) **Patent No.:** **US D786,511 S**
Septien Prieto (45) **Date of Patent:** **** May 9, 2017**

(54) **SHUTTER FOR A BIRD FEEDER**

(71) Applicant: **Francisco Javier Septien Prieto,**
Celaya (MX)

(72) Inventor: **Francisco Javier Septien Prieto,**
Celaya (MX)

(**) Term: **15 Years**

(21) Appl. No.: **29/556,098**

(22) Filed: **Feb. 26, 2016**

(30) **Foreign Application Priority Data**

Aug. 26, 2015 (MX) MX/f/2015/002619

(51) **LOC (10) Cl.** **30-03**

(52) **U.S. Cl.**
USPC **D30/121; D30/124; D30/131; D30/133**

(58) **Field of Classification Search**

USPC D30/121, 124–128, 133, 110–112, 119,
D30/199, 122, 132; 119/51.01,
119/52.1–52.4, 57.8, 57.9, 248, 77, 432,
119/462, 52.8, 428, 458, 459, 463, 72,
119/63, 464, 465, 468, 475, 53, 53.5, 54,
119/55, 56.1, 429, 431, 433–435, 467,
119/469, 72.5, 61, 51.04, 57.91, 51.11,
119/61.2, 57.5, 57.6, 51.13, 62, 75, 500,
119/501; 248/74.2, 219.1, 222.11, 224.7,
248/229.1, 230.1, 689; 239/7, 687, 379,
239/397.5; 222/199, 485, 486, 548, 555;
220/200, 227, 247, 262; 221/174, 185.1,
221/289, 295, 296, 559; 454/35;
209/270, 283, 244; 52/194, 192; 49/279,
49/344, 357; D34/28; D25/122;
D23/266
CPC A01K 31/12; A01K 39/00; A01K 39/01;
A01K 39/0113; A01K 39/012; A01K
39/04; A01K 39/06; A01K 39/02; A01K
39/0206; A01K 39/0125; A01K 39/014

See application file for complete search history.

(56) **References Cited**

U.S. PATENT DOCUMENTS

4,476,811 A * 10/1984 Swartzendruber . A01K 39/0125
119/53
4,793,291 A * 12/1988 Hostetler A01K 39/022
119/72.5
4,834,026 A * 5/1989 Brembeck A01K 39/0125
119/53
4,987,859 A * 1/1991 Vanderzanden A01K 39/014
119/57

(Continued)

Primary Examiner — Susan Moon Lee

(74) *Attorney, Agent, or Firm* — Loza & Loza, LLP;
Heidi L. Eisenhut

(57) **CLAIM**

The ornamental design for a shutter for a bird feeder, as shown and described.

DESCRIPTION

FIG. 1 is a top right perspective view of a shutter for a bird feeder of the present invention.

FIG. 2 a top left perspective view of the shutter for a bird feeder of FIG. 1.

FIG. 3 is a right side elevational view of the shutter for a bird feeder of FIG. 1.

FIG. 4 is a top, right perspective view of the shutter for a bird feeder of FIG. 1, shown in an open and expanded state.

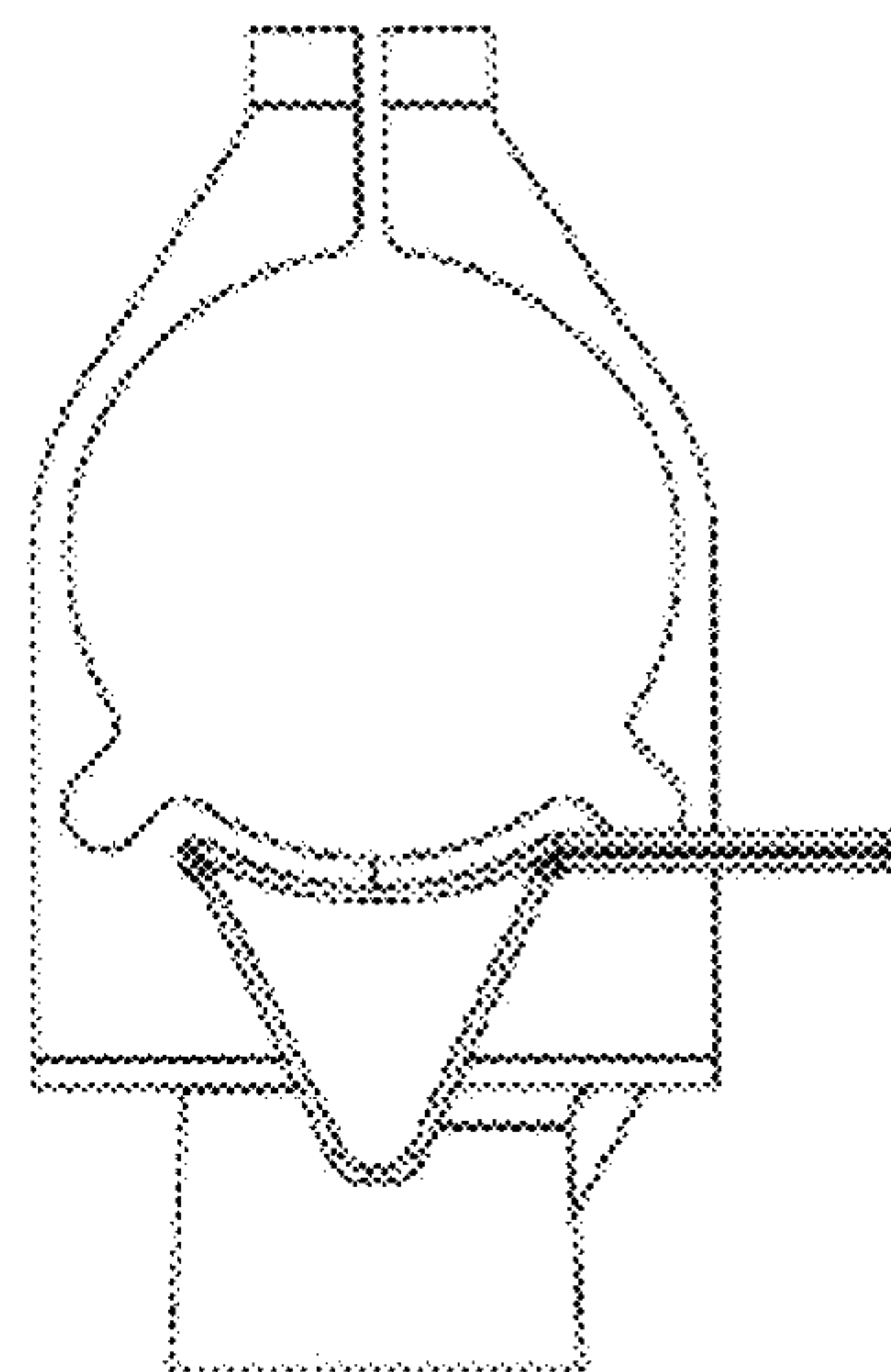
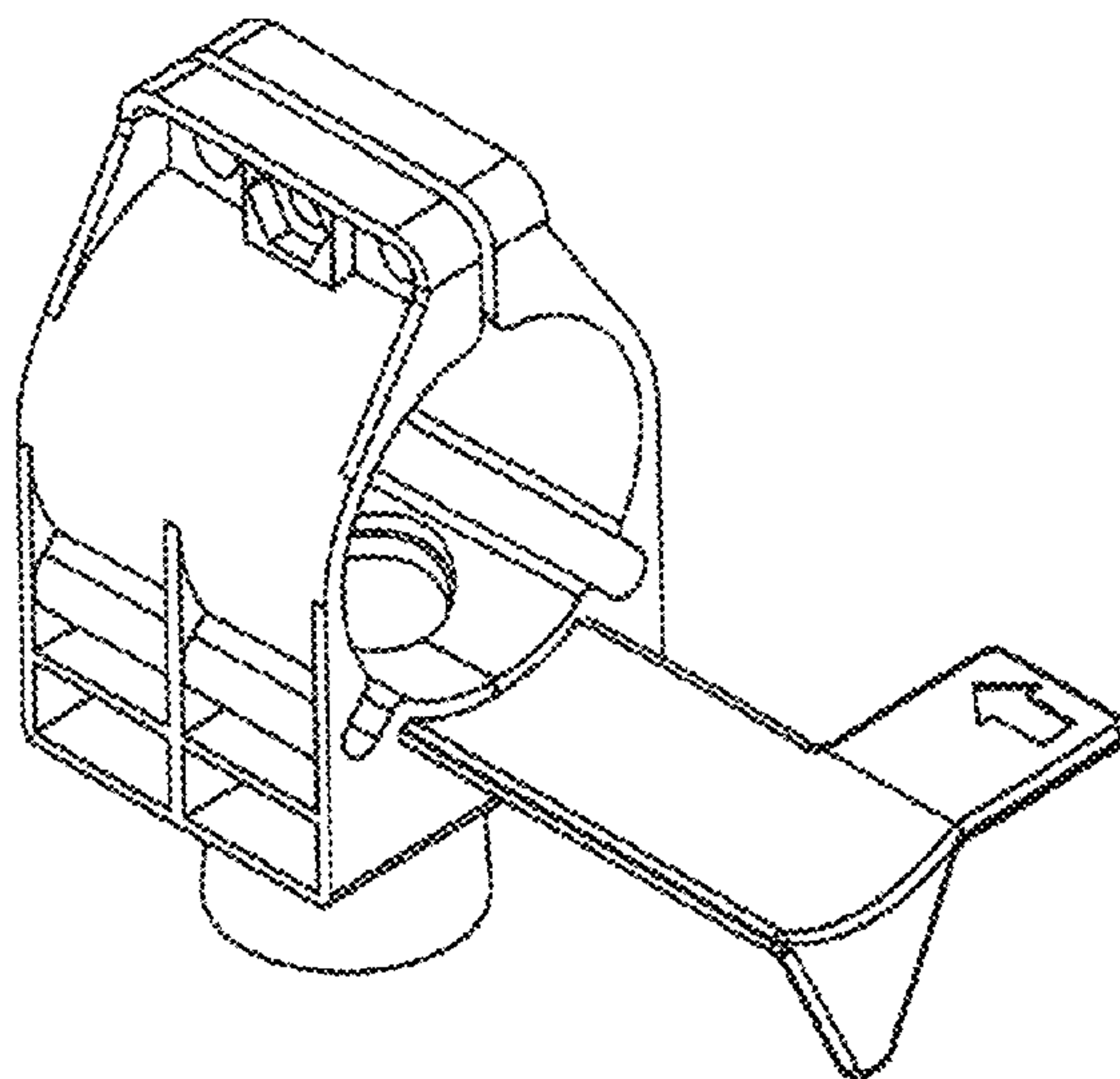
FIG. 5 is a front elevational view of the shutter for a bird feeder of FIG. 1.

FIG. 6 is a rear elevational view of the shutter for a bird feeder of FIG. 1.

FIG. 7 is a bottom plan view of the shutter for a bird feeder of FIG. 1; and,

FIG. 8 is a top plan view of the shutter for a bird feeder of FIG. 1.

1 Claim, 4 Drawing Sheets



(56)

References Cited

U.S. PATENT DOCUMENTS

4,995,343	A *	2/1991	Cole	A01K 39/0125	119/52.1
5,007,380	A *	4/1991	Badia	A01K 39/0125	119/53
5,092,274	A *	3/1992	Cole	A01K 39/0125	119/53
5,101,766	A *	4/1992	Runion	A01K 39/0125	119/53
5,113,797	A *	5/1992	van Daele	A01K 39/0125	119/53
5,199,382	A *	4/1993	Adriano	A01K 39/0125	119/52.1
5,275,131	A *	1/1994	Brake	A01K 39/0125	119/52.4
5,311,839	A *	5/1994	Pollock	A01K 39/0125	119/53
D348,546	S *	7/1994	Johnson	D30/132	
5,494,000	A *	2/1996	Tanabe	A01K 39/0213	119/72.5
5,497,730	A *	3/1996	van Daele	A01K 39/0125	119/53
5,642,688	A *	7/1997	Bannier	A01K 39/0125	119/53
5,718,187	A *	2/1998	Pollock	A01K 39/0125	119/52.4
5,875,733	A *	3/1999	Chen	A01K 39/0125	119/53
5,927,232	A *	7/1999	Pollock	A01K 39/0125	119/53
5,941,193	A *	8/1999	Cole	A01K 39/0125	119/57.4
5,957,083	A *	9/1999	Cheng	A01K 39/0125	119/53
D426,682	S *	6/2000	Kreger	D30/121	
6,152,078	A *	11/2000	Romeu Guardia	..	A01K 5/0275	119/53
6,170,435	B1 *	1/2001	Momont	A01K 39/04	119/51.5
6,314,909	B1 *	11/2001	Horwood	A01K 29/00	119/51.02
D460,839	S *	7/2002	Kreger	D30/122	
6,532,895	B1 *	3/2003	Andersen	A01K 39/0125	119/57.4
6,655,317	B1 *	12/2003	Stuedler, Jr.	A01K 39/0125	119/53
D542,981	S *	5/2007	Cole	D30/124	
D701,654	S *	3/2014	Septien Prieto	D30/121	
9,392,772	B2 *	7/2016	Stuedler, Jr.	A01K 39/01	
2002/0139310	A1 *	10/2002	Hight	A01K 5/0114	119/57.1
2002/0152965	A1 *	10/2002	Turner	A01K 39/0125	119/53
2003/0056730	A1 *	3/2003	Corti	A01K 39/0125	119/53
2003/0079692	A1 *	5/2003	Stuedler, Jr.	A01K 39/0213	119/72.5
2004/0025796	A1 *	2/2004	Cole	A01K 39/0125	119/55
2004/0244705	A1 *	12/2004	Momont	A01K 39/0213	119/72.5
2005/0066907	A1 *	3/2005	Pollock	A01K 39/0213	119/72.5
2005/0072365	A1 *	4/2005	Busses	A01K 39/0125	119/57.7
2006/0005776	A1 *	1/2006	Williams	A01K 39/0213	119/72.5
2007/0186863	A1 *	8/2007	Cole	A01K 39/0125	119/61.1
2007/0215056	A1 *	9/2007	Kreger	A01K 39/0213	119/72.5
2008/0202437	A1 *	8/2008	Garware	A01K 39/0125	119/57.4
2008/0257270	A1 *	10/2008	Slankard	A01K 39/0125	119/53
2009/0000555	A1 *	1/2009	Keirse	A01K 39/0125	119/52.1
2009/0078209	A1 *	3/2009	Kroeker	A01K 5/01	119/52.1
2010/0192863	A1 *	8/2010	Van de Ven	A01K 39/014	119/52.1
2011/0094447	A1 *	4/2011	Keirse	A01K 39/012	119/52.1
2011/0107972	A1 *	5/2011	Keirse	A01K 39/0125	119/51.01
2011/0239948	A1 *	10/2011	Pirovano	A01K 5/0208	119/57.1
2012/0199077	A1 *	8/2012	Cottam	A01K 39/0125	119/52.1
2013/0036976	A1 *	2/2013	Pickens	A01K 39/0125	119/51.01
2013/0139755	A1 *	6/2013	Stuedler, Jr.	A01K 39/012	119/51.01
2013/0139758	A1 *	6/2013	Stuedler, Jr.	A01K 39/0125	119/53
2013/0269619	A1 *	10/2013	Hung	A01K 39/01	119/52.4
2016/0021853	A1 *	1/2016	Septien Prieto	...	A01K 39/0125	119/52.1
2016/0073615	A1 *	3/2016	Van Kerrebroeck	B08B 3/02	134/22.12
2016/0270376	A1 *	9/2016	Cole	A01K 39/014	

* cited by examiner

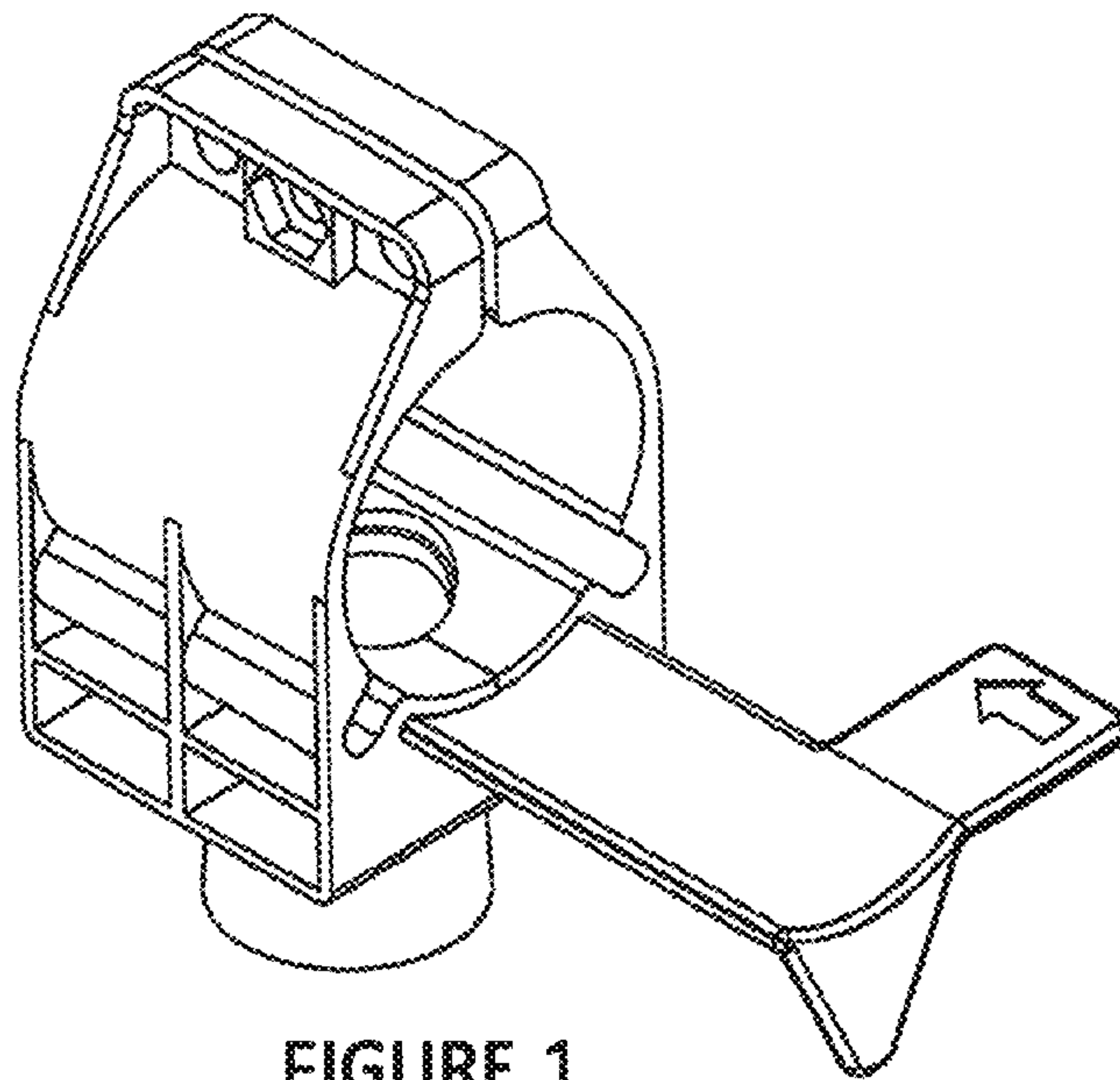


FIGURE 1

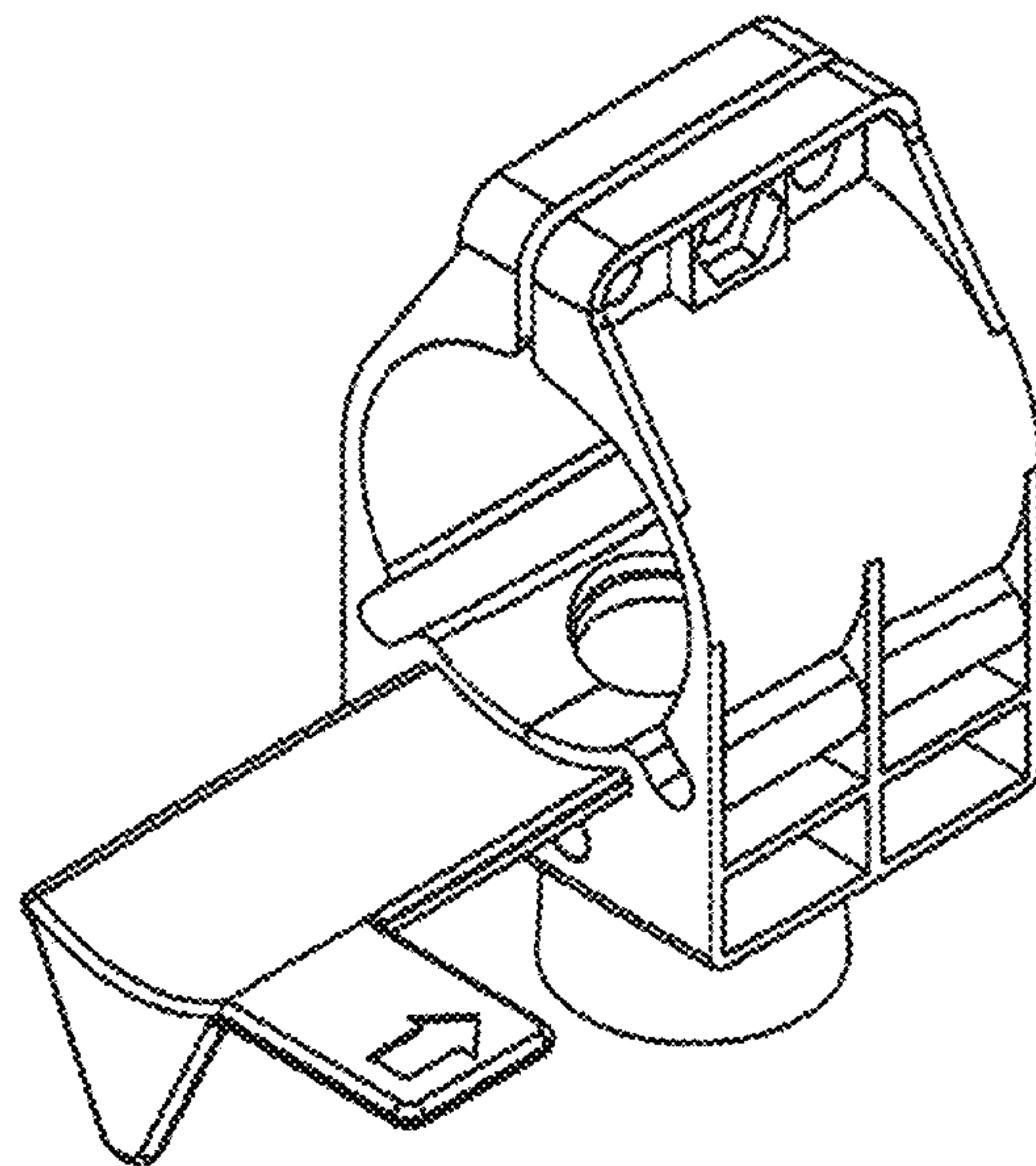


FIGURE 2

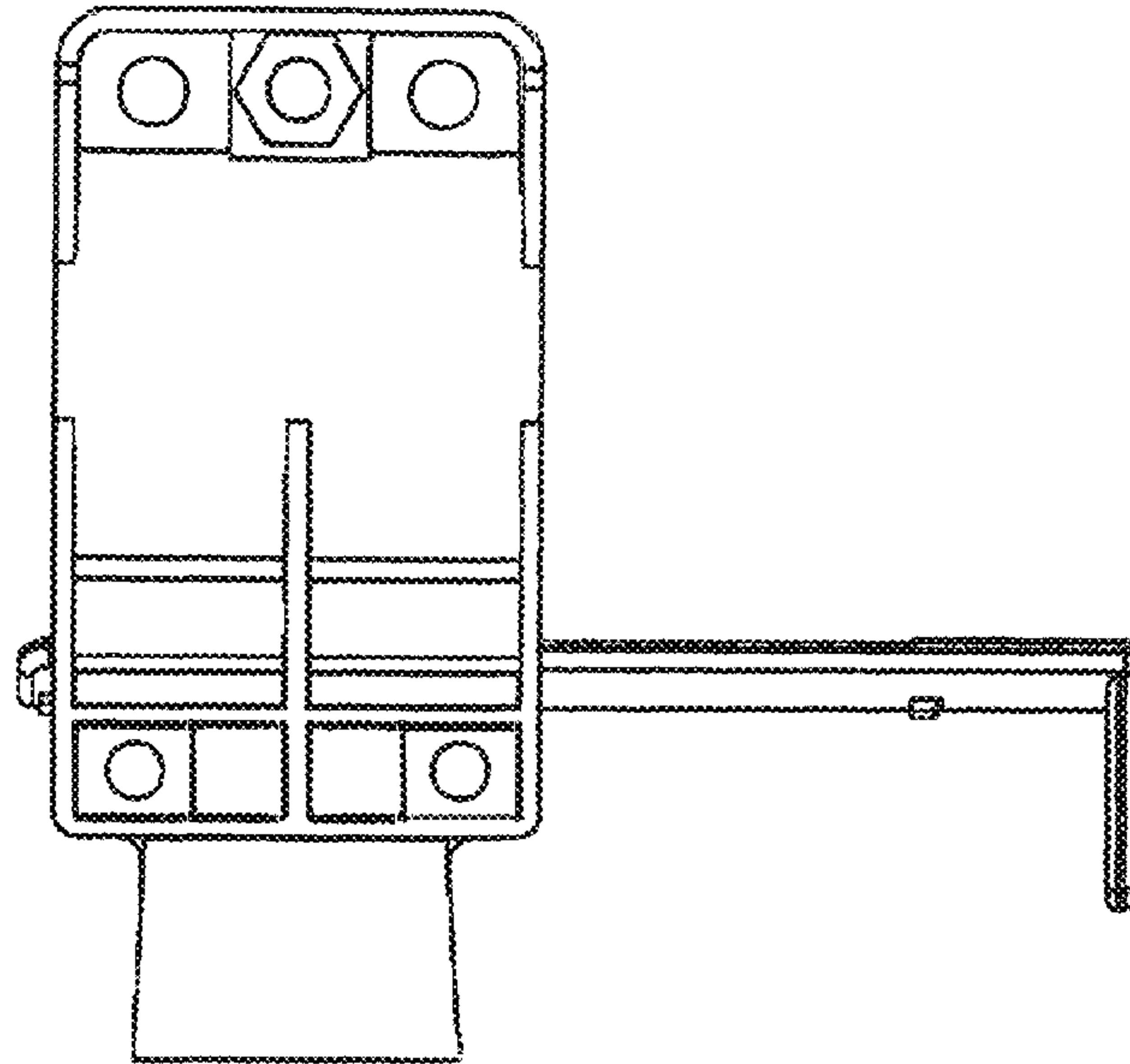


FIGURE 3

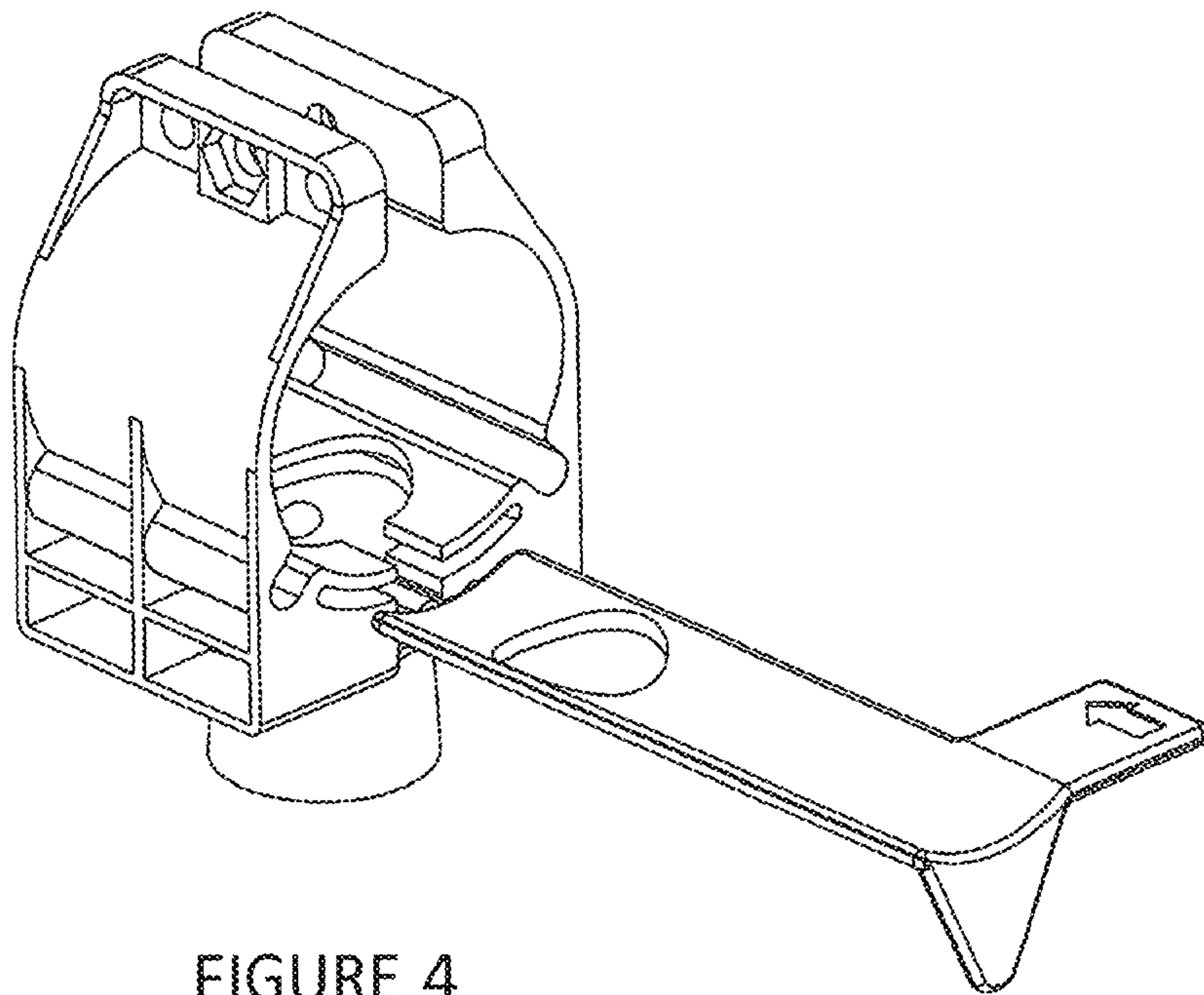


FIGURE 4

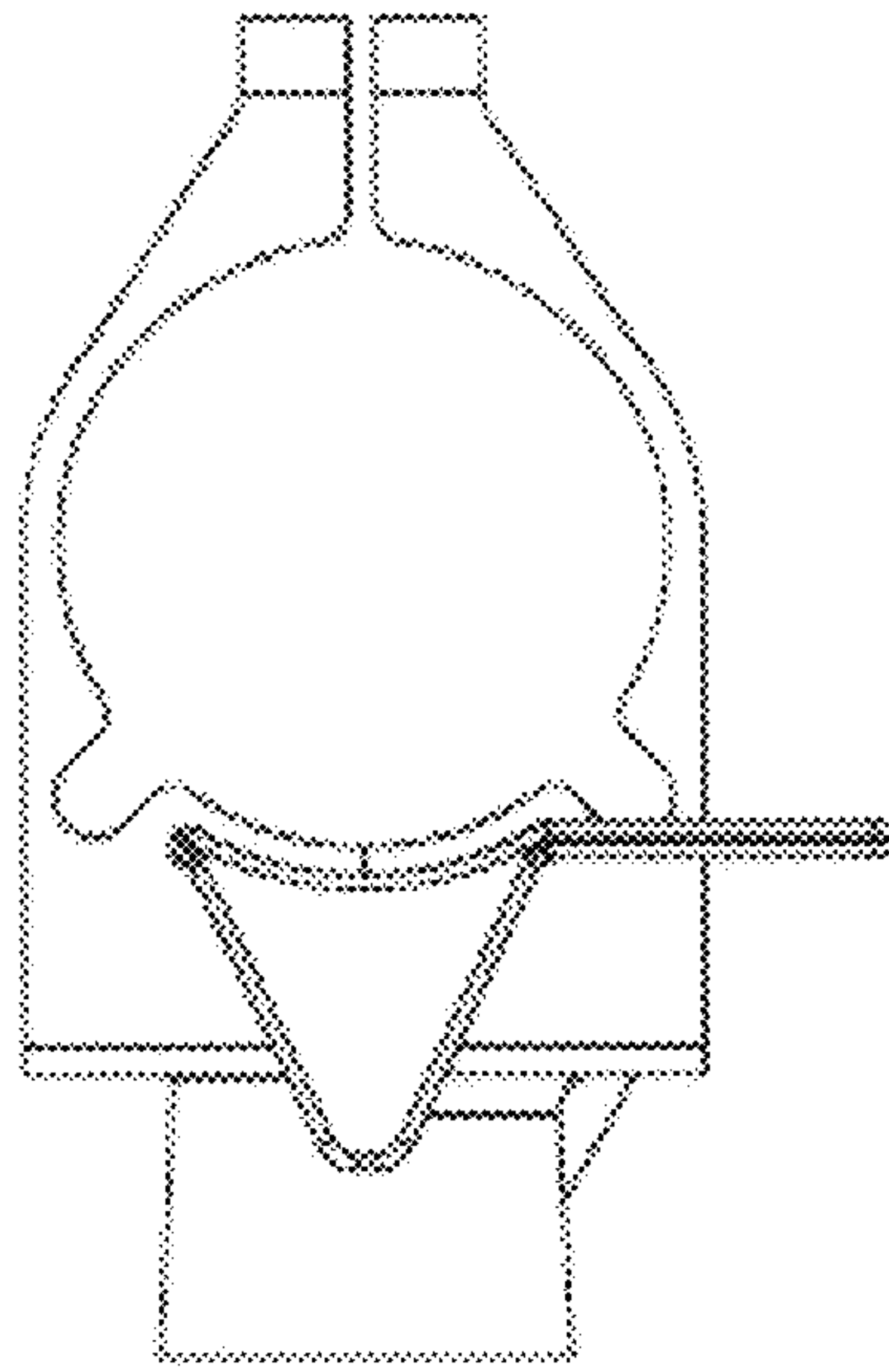


FIGURE 5

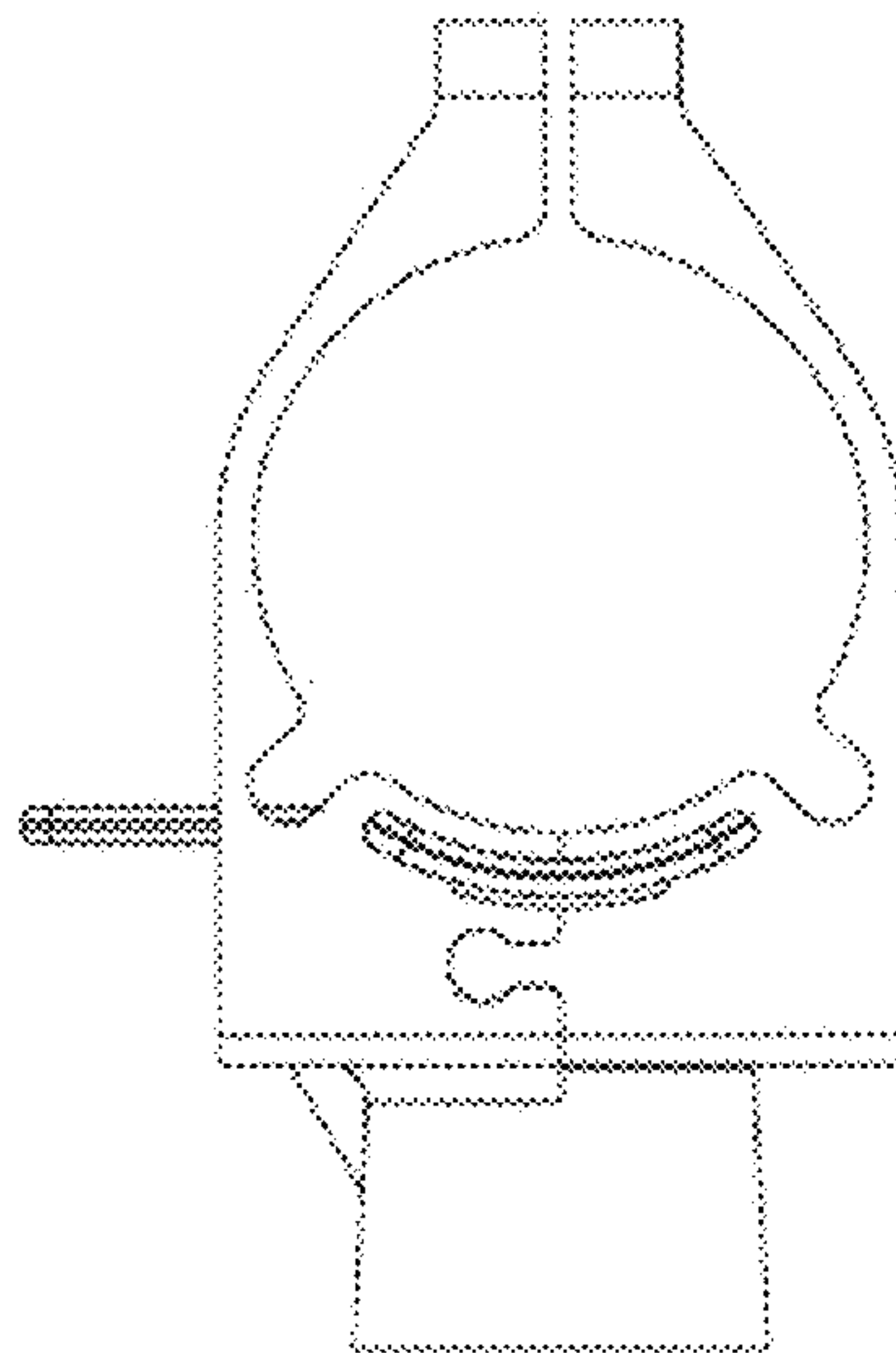


FIGURE 6

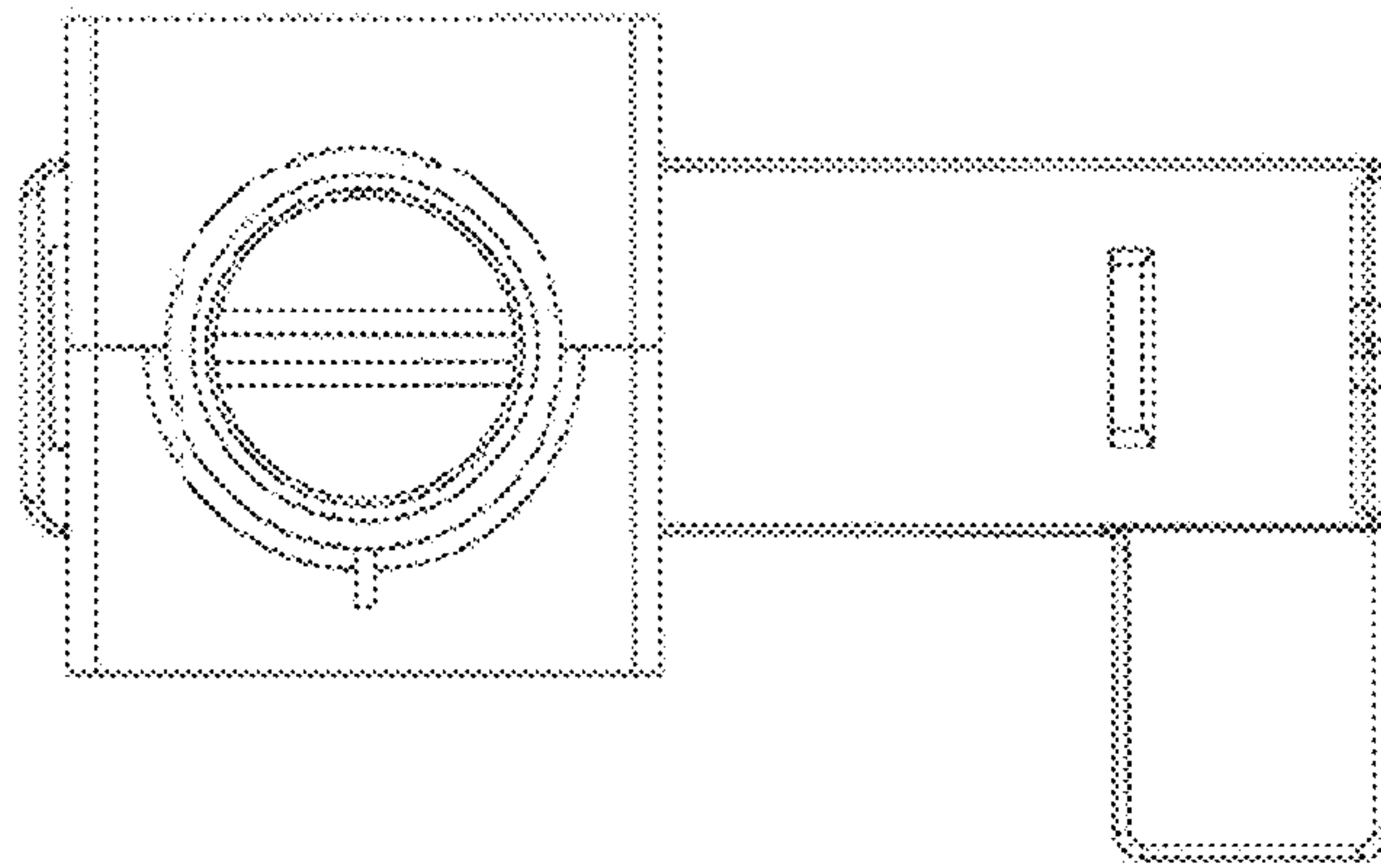


FIGURE 7

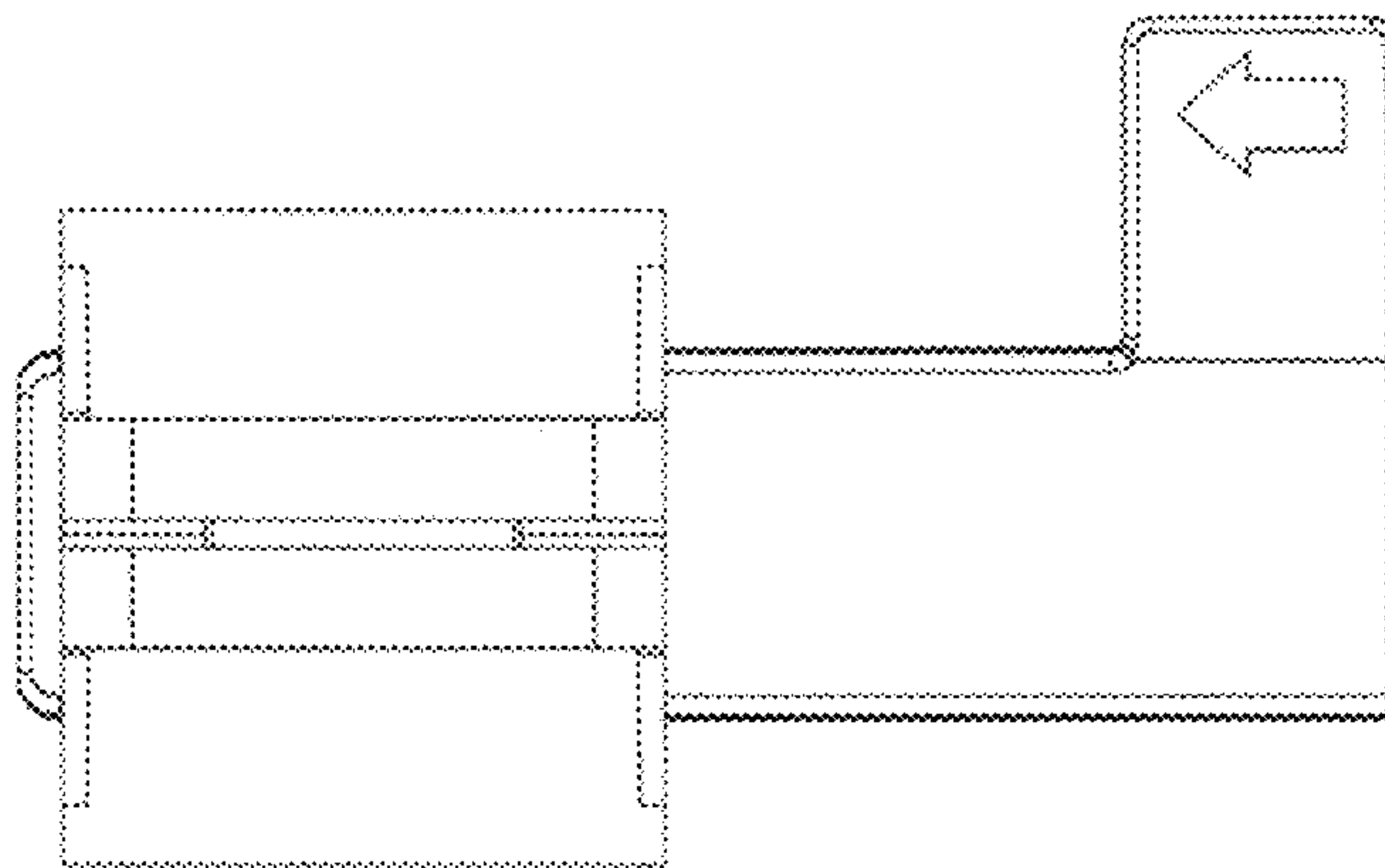


FIGURE 8