



US00D786510S

(12) **United States Design Patent**
Murljadic

(10) **Patent No.:** **US D786,510 S**

(45) **Date of Patent:** **** May 9, 2017**

(54) **PET HIGHCHAIR**

(71) Applicant: **Nevio D. Murljadic**, Greenwich, CT
(US)

(72) Inventor: **Nevio D. Murljadic**, Greenwich, CT
(US)

(**) Term: **15 Years**

(21) Appl. No.: **29/560,898**

(22) Filed: **Apr. 12, 2016**

(51) **LOC (10) Cl.** **30-06**

(52) **U.S. Cl.**
USPC **D30/118; D6/675**

(58) **Field of Classification Search**
USPC D30/118; D6/339, 349, 361, 382,
D6/385-387, 595-597, 618.1, 675, 675.1,
D6/691, 698; 119/28.5; D21/520
CPC . A01K 1/03; A01K 1/05; A01K 1/035; A01K
1/035; A01K 29/00
See application file for complete search history.

(56) **References Cited**

U.S. PATENT DOCUMENTS

3,170,415	A *	2/1965	Svilokos	A47B 61/04 D6/675.1
D201,854	S *	8/1965	Rand	D6/691.6
D239,352	S *	3/1976	Petrick	D6/675.1
D240,377	S *	7/1976	Goulder	D6/675.1
4,860,689	A *	8/1989	Stewart	A01K 1/0353 119/28.5
D303,885	S *	10/1989	Goetz	D6/691.8
D335,980	S *	6/1993	Grosfillex	D6/349
D379,950	S *	6/1997	Davis	D6/349
D402,229	S *	12/1998	Christensen	D11/155
D405,288	S *	2/1999	Woodhams	D6/382
5,960,739	A *	10/1999	Storm	A01K 1/0353 119/28.5

D476,175	S *	6/2003	Jackson	D6/691.1
6,591,778	B1 *	7/2003	Alderman	A01K 1/0353 119/28.5
D597,266	S *	7/2009	Simpson	D30/118
D663,077	S *	7/2012	Pohl	D30/118
D685,147	S *	6/2013	Muir	D30/118
D713,156	S *	9/2014	Cohen	D6/349
D736,480	S *	8/2015	Diskin	D30/118
D756,690	S *	5/2016	Ortega	A47B 13/06 D6/675
2007/0095292	A1 *	5/2007	Musselman	A01K 1/0353 119/28.5
2008/0072827	A1 *	3/2008	Bohjalian	A01K 1/035 119/28.5

(Continued)

Primary Examiner — Cathy Anne MacCormac
(74) *Attorney, Agent, or Firm* — Dunlap Bennett & Ludwig PLLC

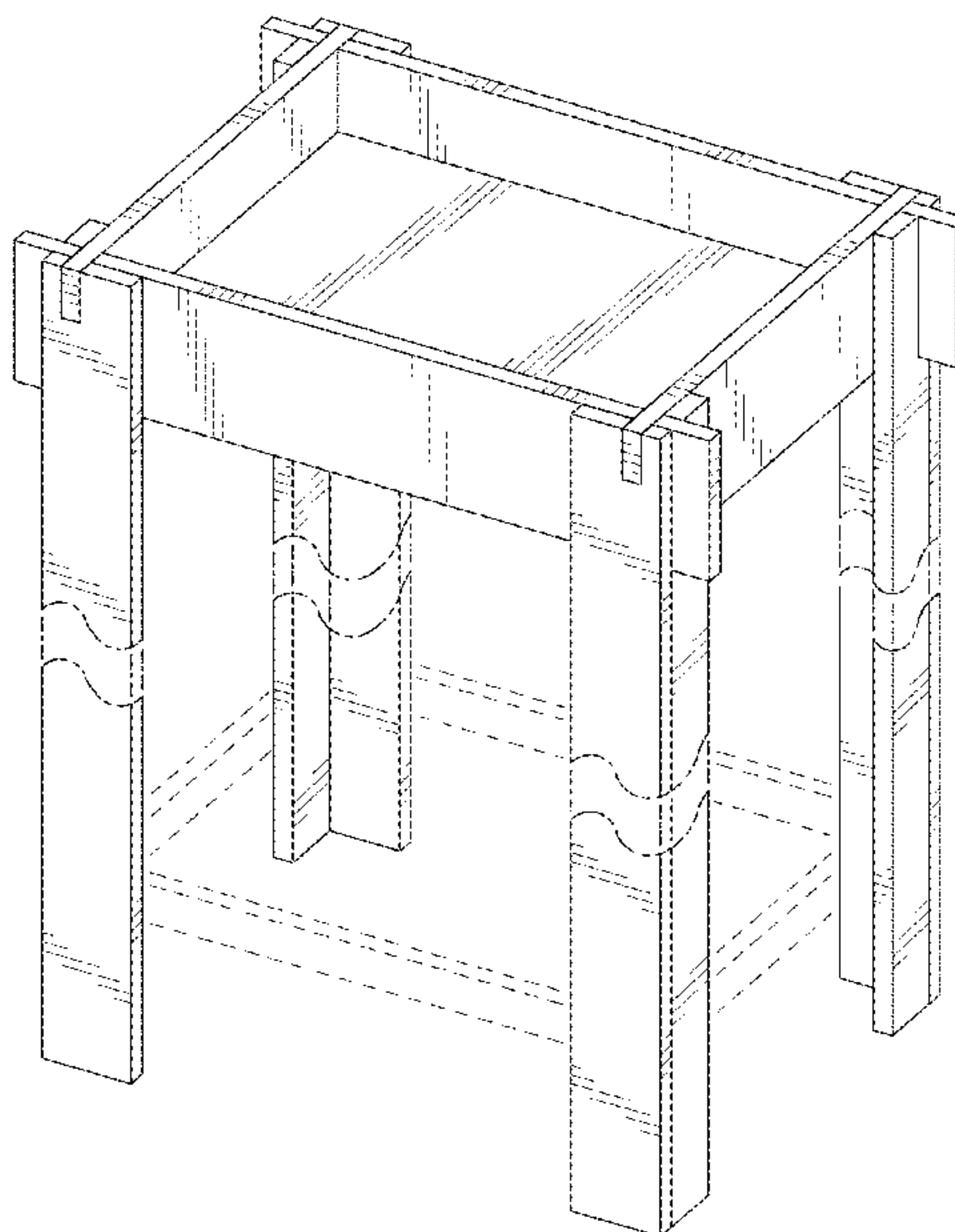
(57) **CLAIM**

The ornamental design for a pet highchair, as shown and described.

DESCRIPTION

FIG. 1 is a top front perspective view of the pet highchair; FIG. 2 is a front elevation view of the pet highchair, with the rear elevation view being identical to the front view shown; FIG. 3 is a right side elevation view of the pet highchair, with the left side elevation view being identical to the front view shown; FIG. 4 is a top plan view thereof; and, FIG. 5 is a bottom plan view thereof. The broken lines shown in the drawings depict environmental subject matter and form no part of the claimed design. The pet highchair is shown with a line-dot-line broken line which represents a symbolic break in its height. The appearance of any portion of the article between the break lines forms no part of the claimed design.

1 Claim, 4 Drawing Sheets



(56)

References Cited

U.S. PATENT DOCUMENTS

2008/0282987 A1* 11/2008 Ritchey A01K 1/0353
119/28.5
2016/0198674 A1* 7/2016 Younger A01K 29/00
119/28.5

* cited by examiner

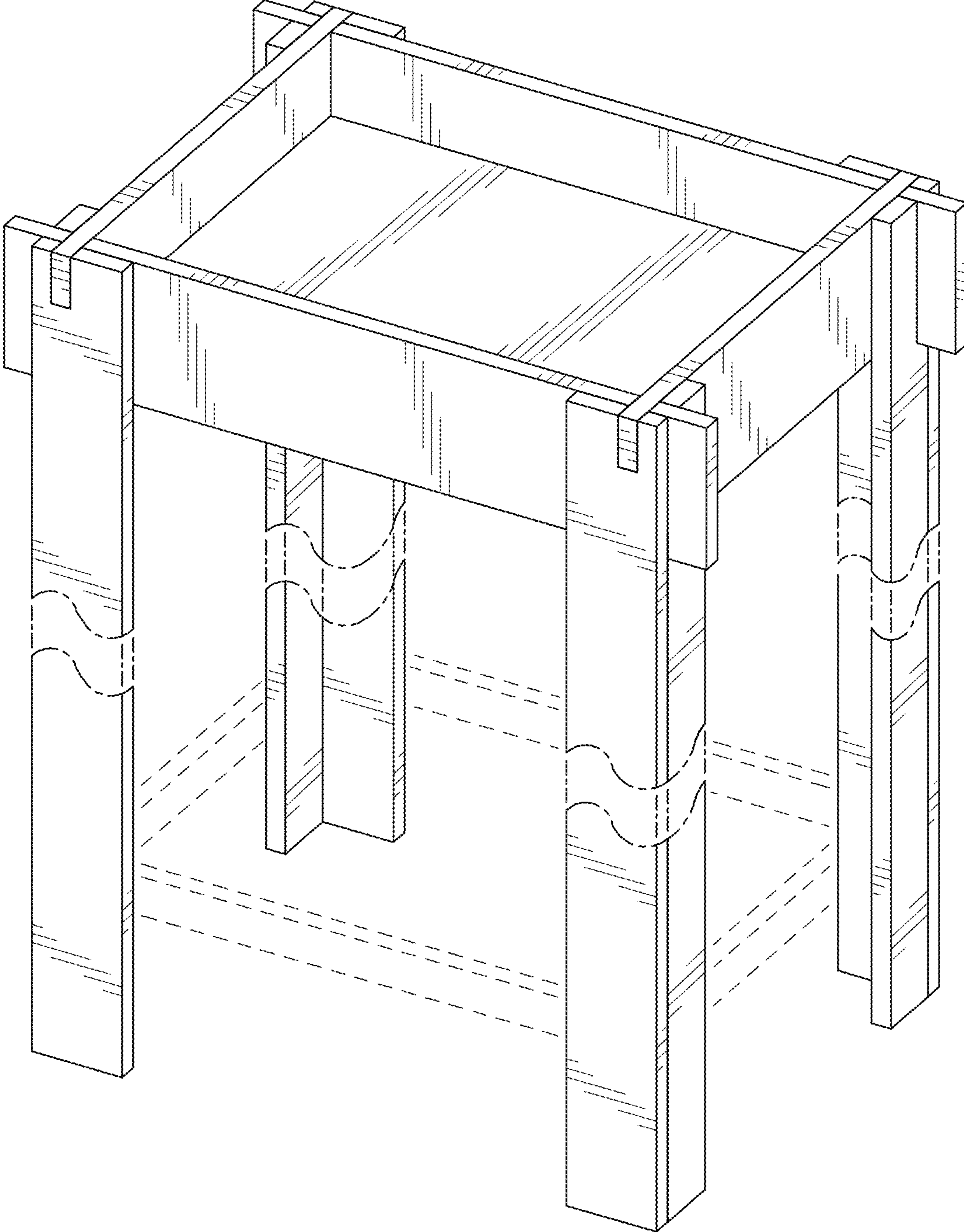


FIG. 1

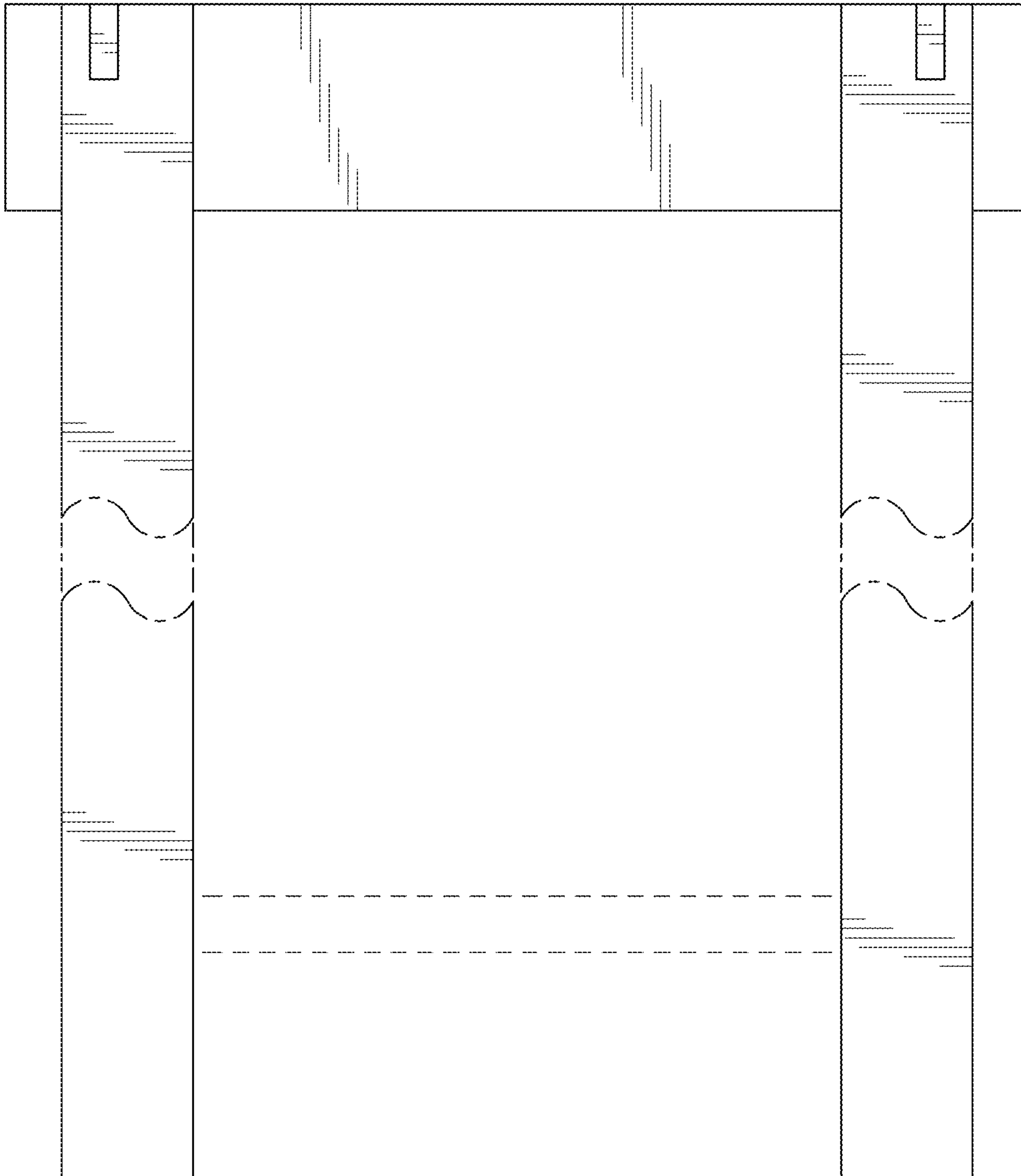


FIG.2

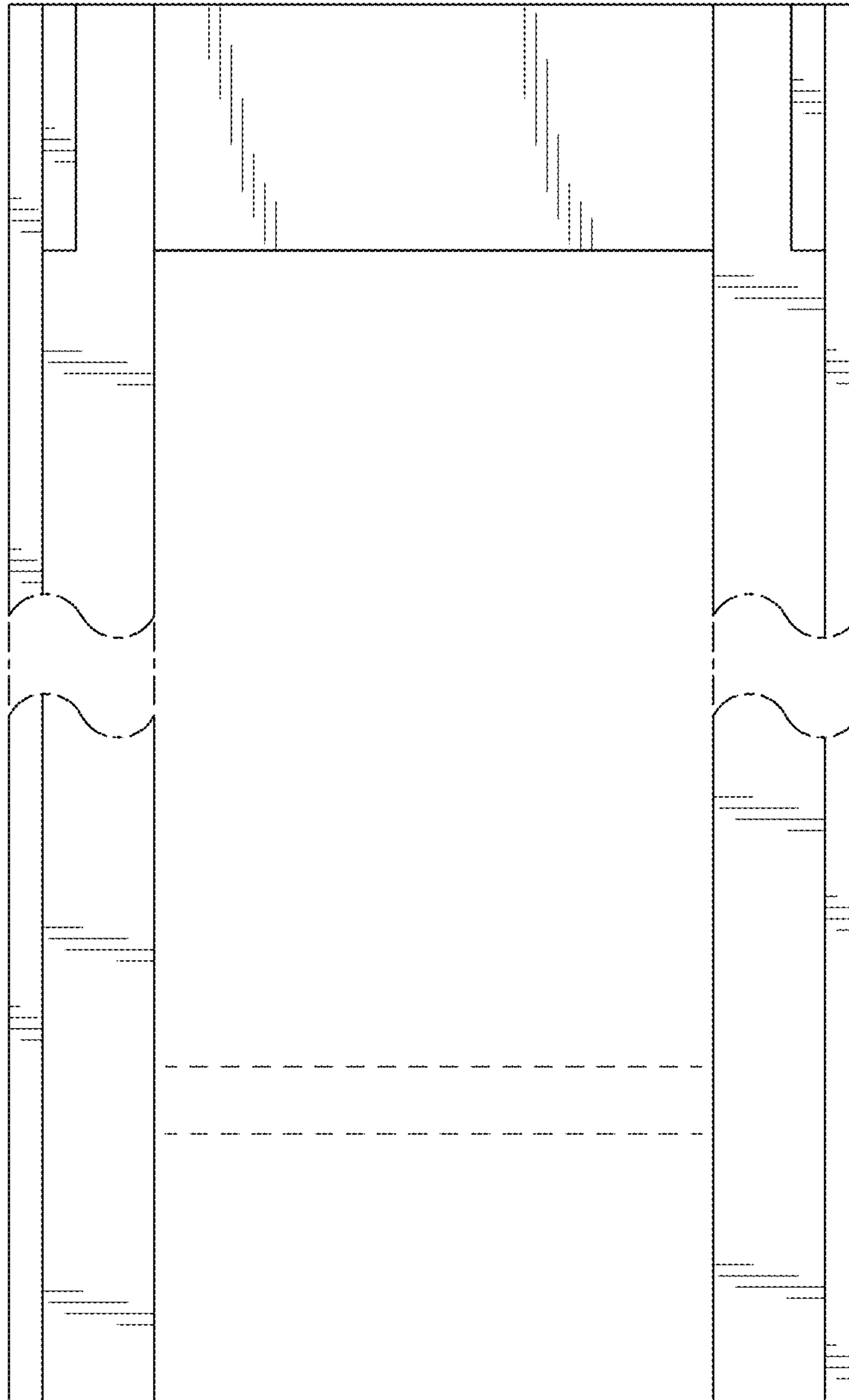


FIG. 3

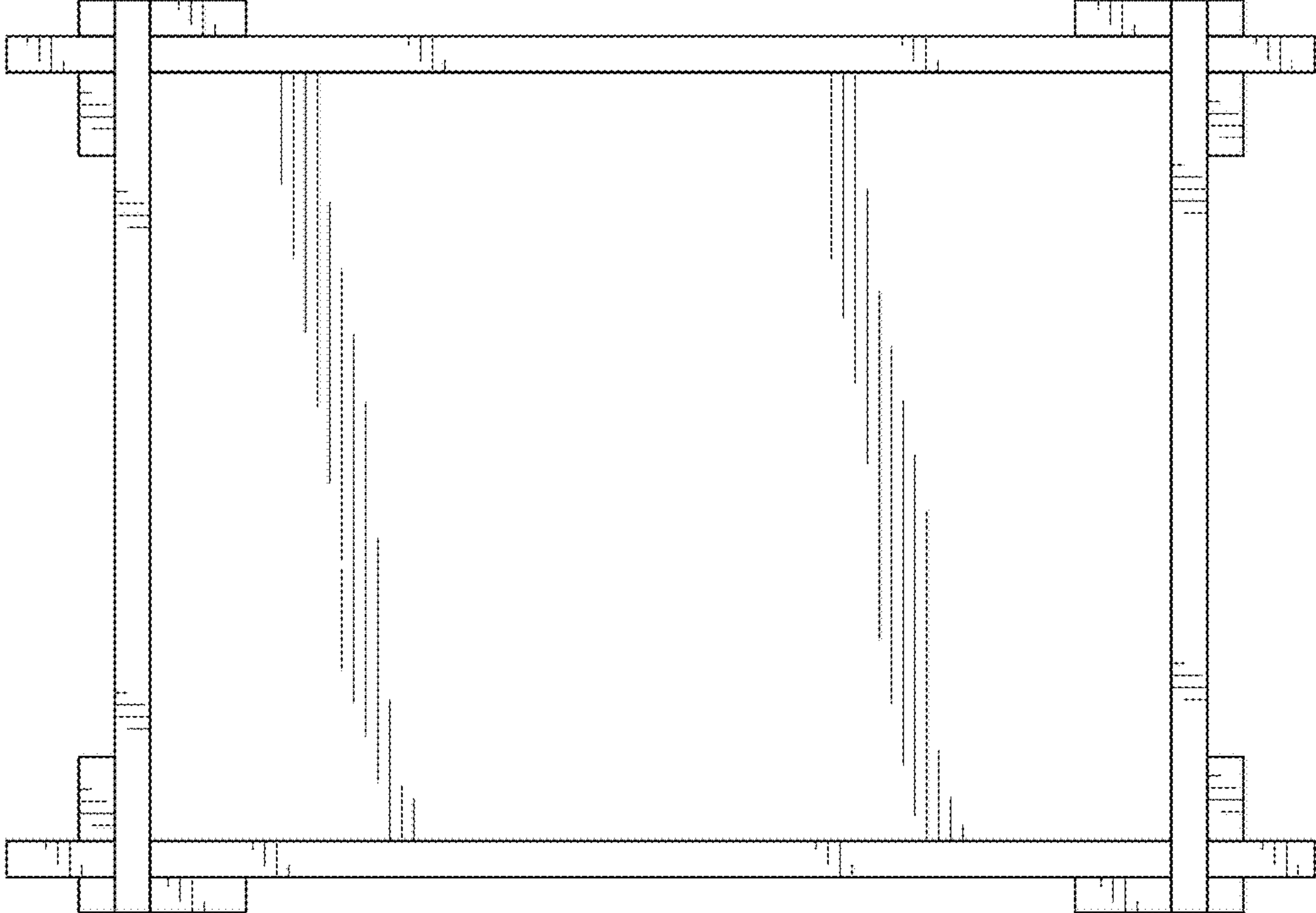


FIG. 4

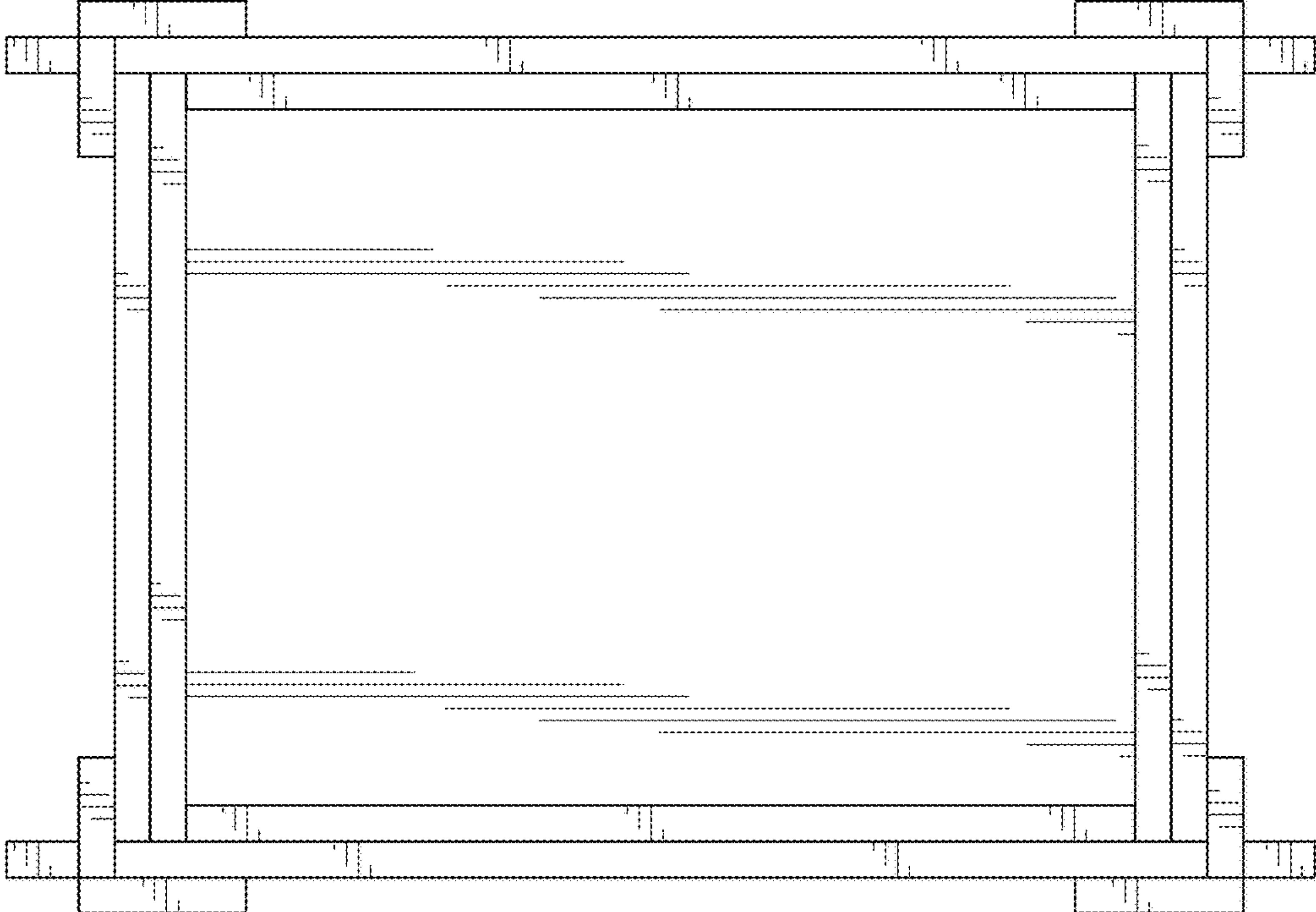


FIG. 5