



US00D786507S

(12) **United States Design Patent** (10) **Patent No.:** **US D786,507 S**
Goodman et al. (45) **Date of Patent:** **** May 9, 2017**

(54) **HOLDER**
(71) Applicant: **Spectrum Diversified Designs, Inc.**,
Streetsboro, OH (US)
(72) Inventors: **Sheldon H. Goodman**, Solon, OH
(US); **Phaysouk Xayoiphonh**, Akron,
OH (US)
(73) Assignee: **SPECTRUM DIVERSIFIED**
DESIGNS, LLC, Streetsboro, OH (US)
(**) Term: **15 Years**

D632,908 S * 2/2011 Tincher D6/513
D649,709 S * 11/2011 Loman D27/183
D669,635 S * 10/2012 Goodman D28/38
D669,636 S * 10/2012 Goodman D28/38
D702,885 S * 4/2014 Petrucci D28/38
D719,797 S * 12/2014 Puruganan D7/600.1
D720,580 S * 1/2015 Puruganan D7/600.1
D729,456 S * 5/2015 Craven D28/73
D735,939 S * 8/2015 Petrucci D28/10
D742,592 S * 11/2015 Petrucci D28/73
D748,334 S * 1/2016 Goodman D28/38
D748,335 S * 1/2016 Goodman D28/38
D755,537 S * 5/2016 Goodman D6/566
D761,491 S * 7/2016 Goodman D28/38
D761,492 S * 7/2016 Goodman D28/38

(Continued)

(21) Appl. No.: **29/543,435**
(22) Filed: **Oct. 23, 2015**
(51) **LOC (10) Cl.** **28-03**
(52) **U.S. Cl.**
USPC **D28/38**; D28/73; D6/513; D6/566
(58) **Field of Classification Search**
USPC D28/73, 38; D7/600.1; D3/306;
D6/513, 566
CPC .. A45D 2001/002; A45D 44/02; A45D 44/04;
A45D 20/10; A45D 20/12; A45D 20/16;
A45D 2020/126; A45D 2020/128
See application file for complete search history.

OTHER PUBLICATIONS

MyBella Spiral countertop hair dryer holder, www.
spectrumdiversified.com, 2 pages, downloaded Mar. 13, 2017.*
Design U.S. Appl. No. 29/503,210, filed Sep. 24, 2014.

Primary Examiner — Jennifer Rivard
(74) *Attorney, Agent, or Firm* — Renner, Otto, Boisselle
& Sklar, LLP

(57) **CLAIM**

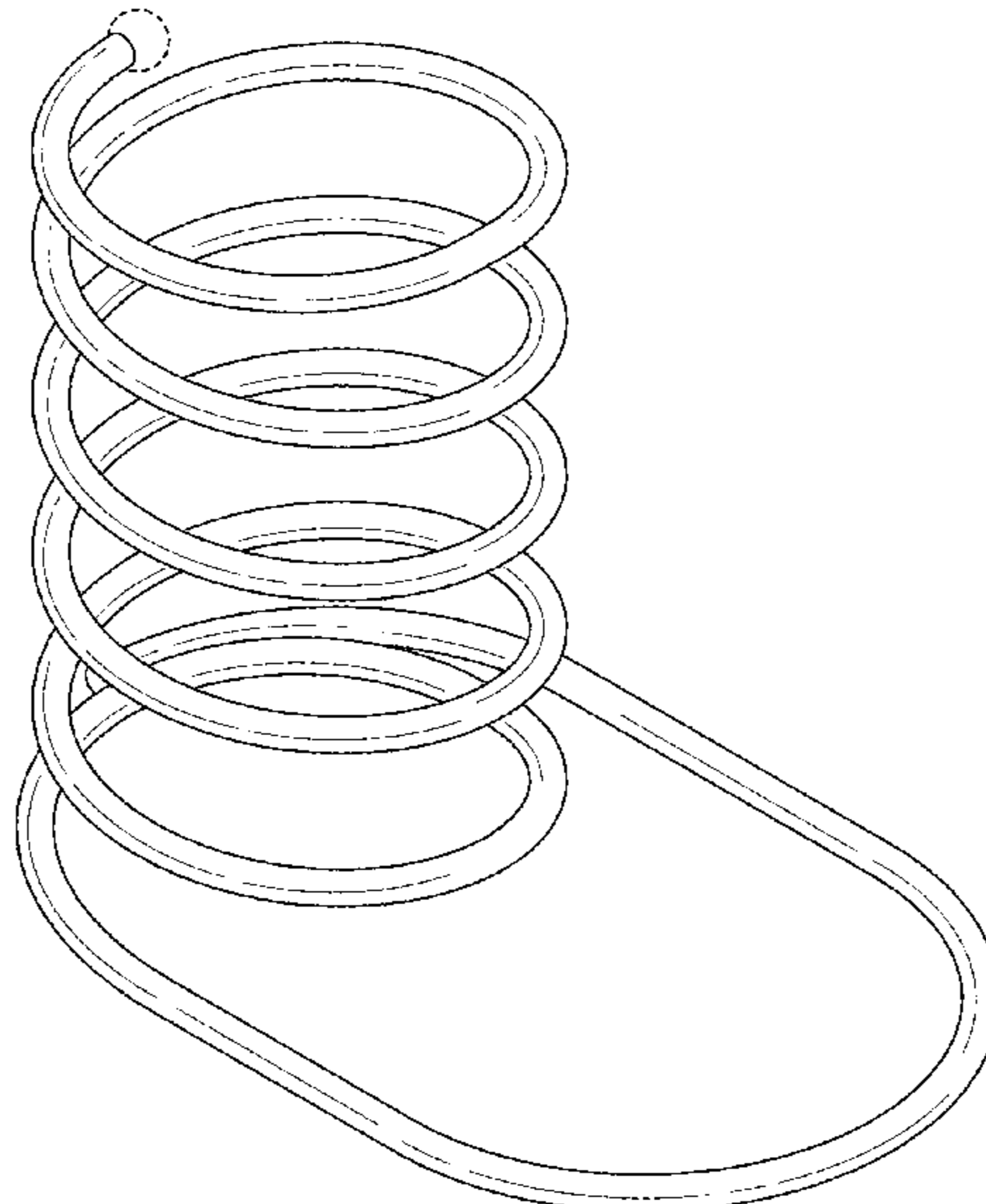
The ornamental design for a holder, as shown and described.

DESCRIPTION

FIG. 1 is a perspective view of a holder showing our new design;
FIG. 2 is a front view thereof;
FIG. 3 is a rear view thereof;
FIG. 4 is a right side view thereof;
FIG. 5 is a left side view thereof;
FIG. 6 is a top view thereof; and,
FIG. 7 is a bottom view thereof.
The broken lines illustrate a portion of the holder and form no part of the claimed design.

(56) **References Cited**
U.S. PATENT DOCUMENTS
5,402,899 A * 4/1995 Ammeson A47G 23/0241
215/391
D375,229 S * 11/1996 DiBella A47G 23/0216
D7/619.1
D377,695 S * 1/1997 Puckett D28/38
D416,071 S * 11/1999 Sizer D19/84
D441,222 S * 5/2001 Higazy D6/677.2
D558,925 S * 1/2008 Skyles D28/18
D568,203 S * 5/2008 Lindberg D11/146
D591,565 S * 5/2009 Goodman D7/637
D603,095 S * 10/2009 Petrucci D28/38

1 Claim, 7 Drawing Sheets



(56)

References Cited

U.S. PATENT DOCUMENTS

D763,511 S * 8/2016 Petruccelli D28/38
D778,635 S * 2/2017 Pan D6/535
D779,735 S * 2/2017 Petruccelli D28/38

* cited by examiner

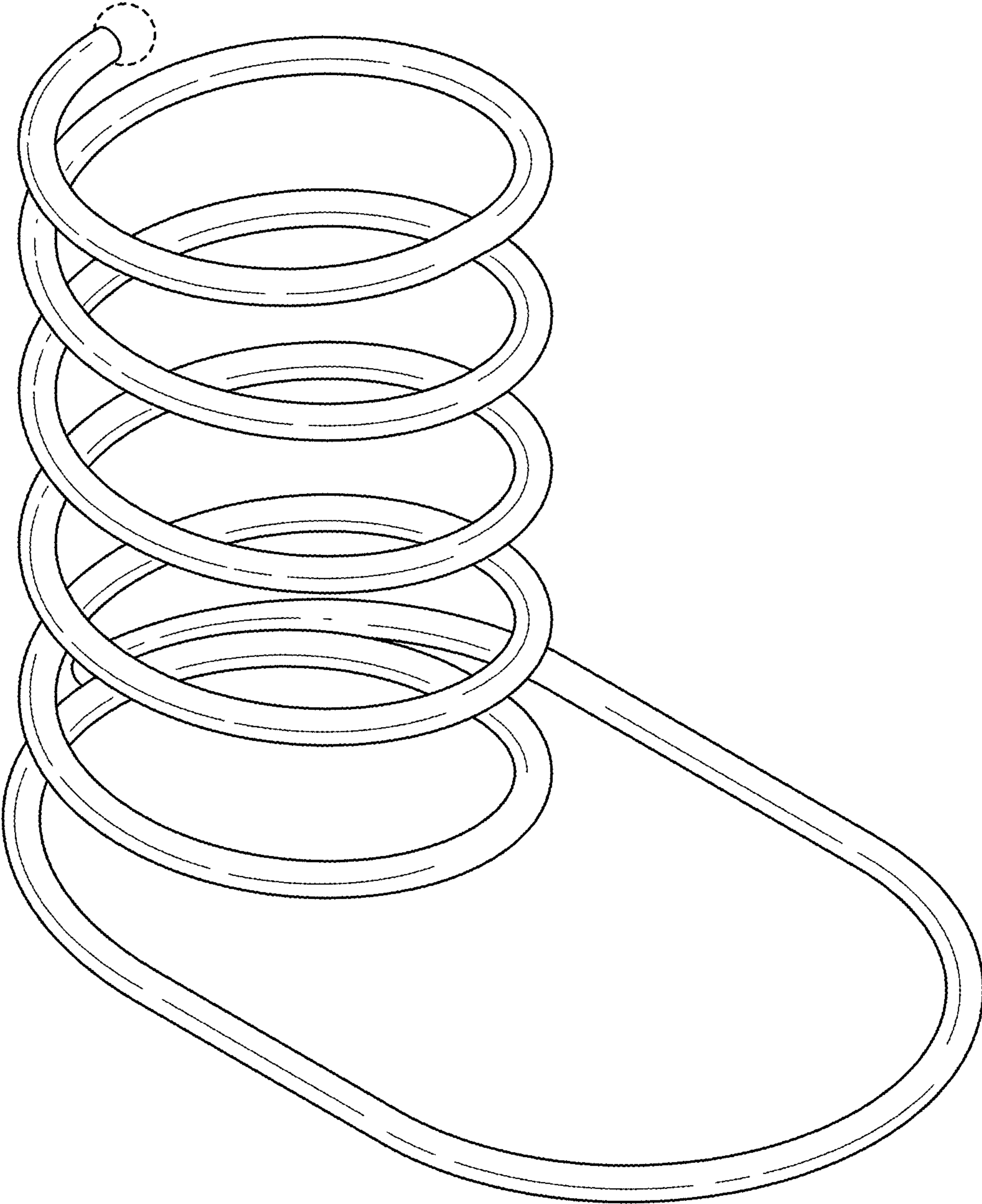


FIG. 1

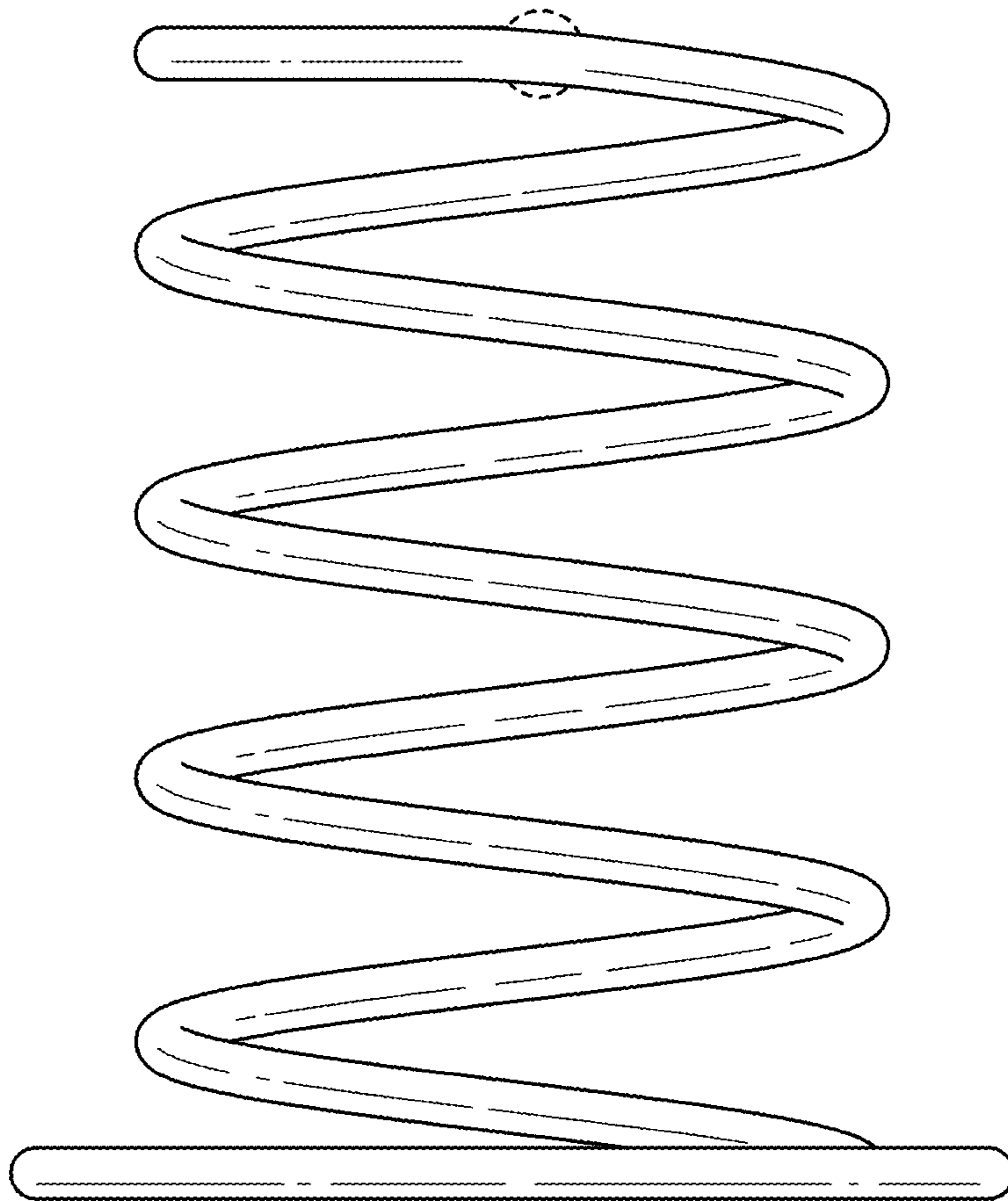


FIG. 2

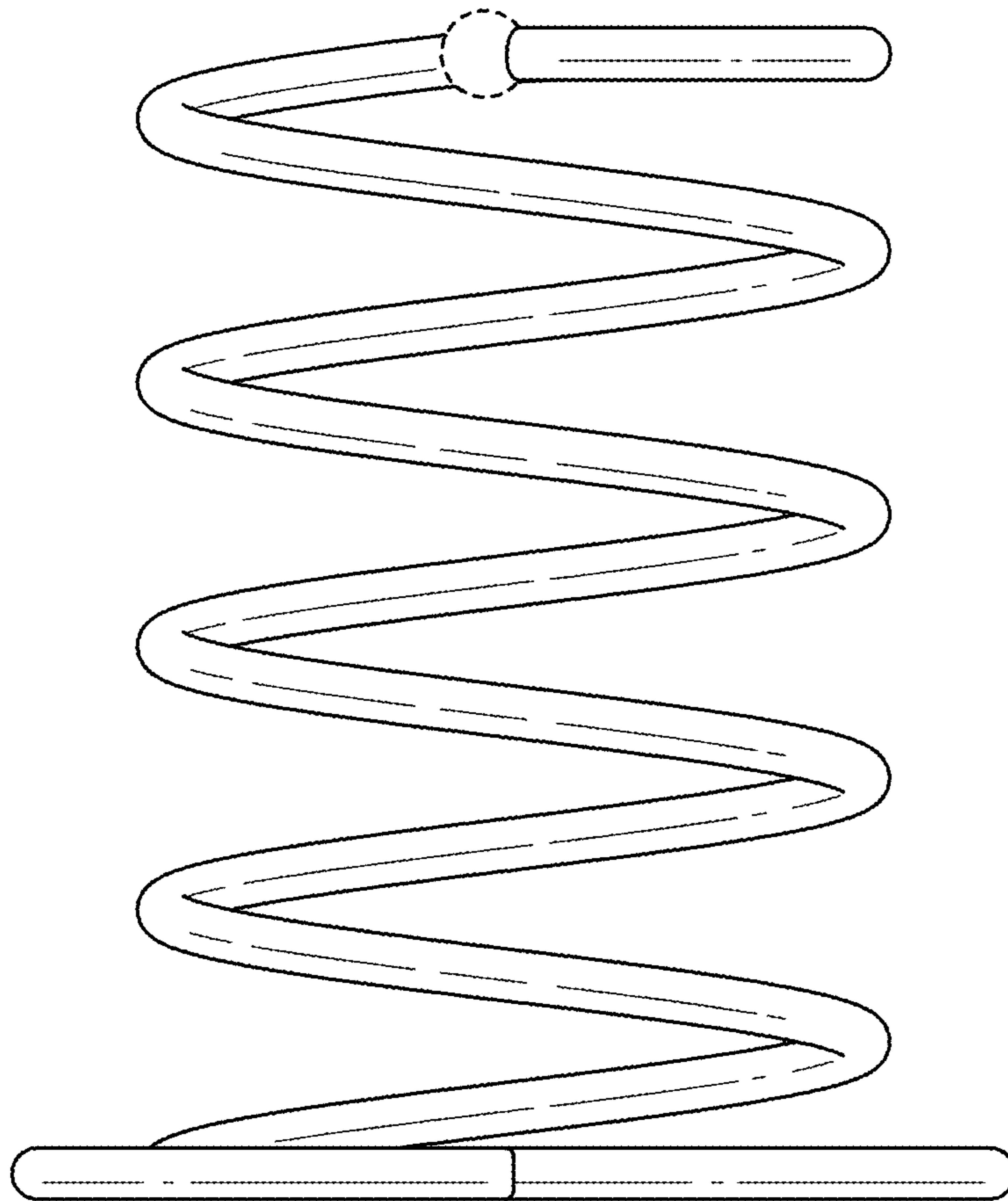


FIG. 3

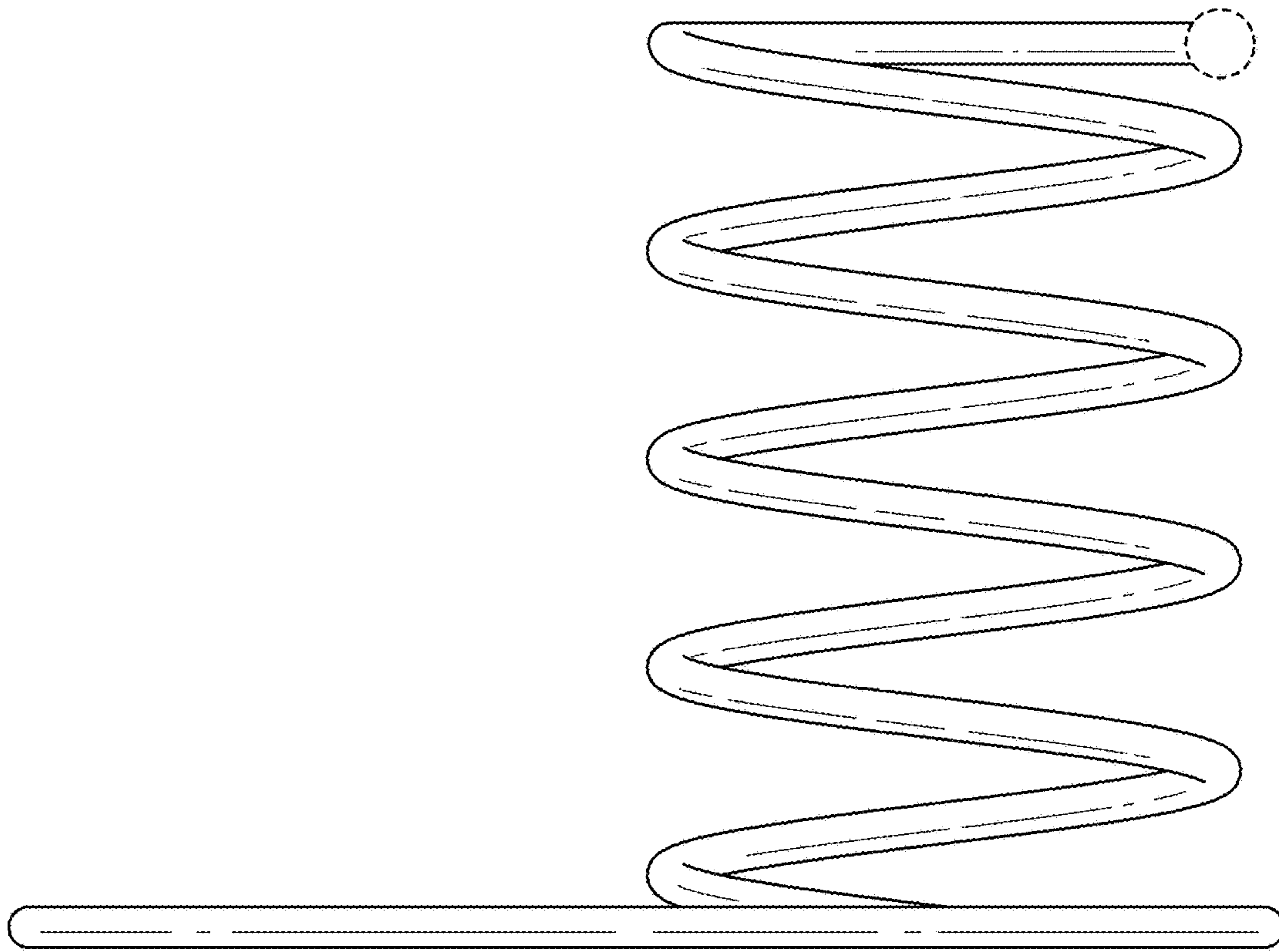


FIG. 4

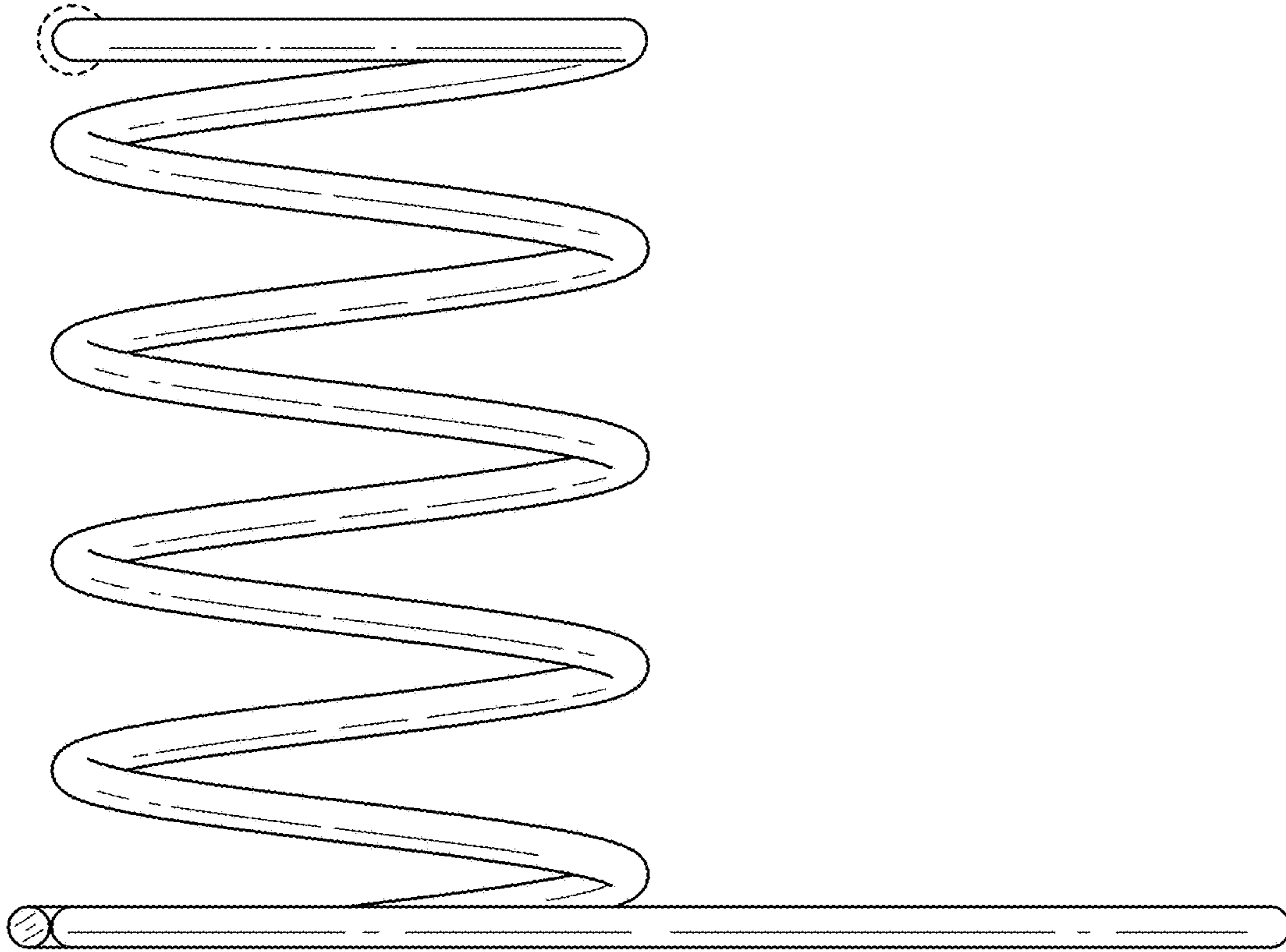


FIG. 5

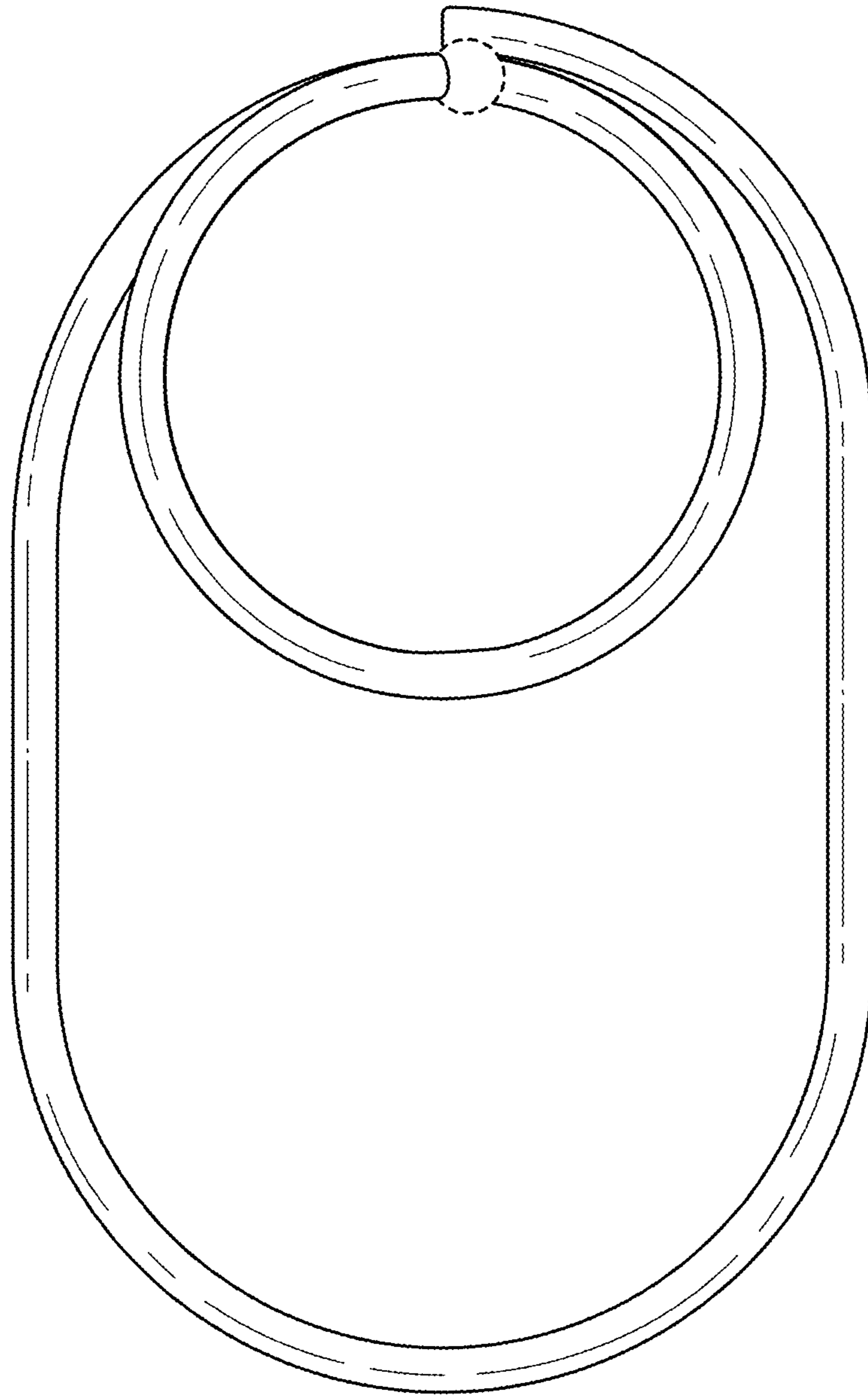


FIG. 6

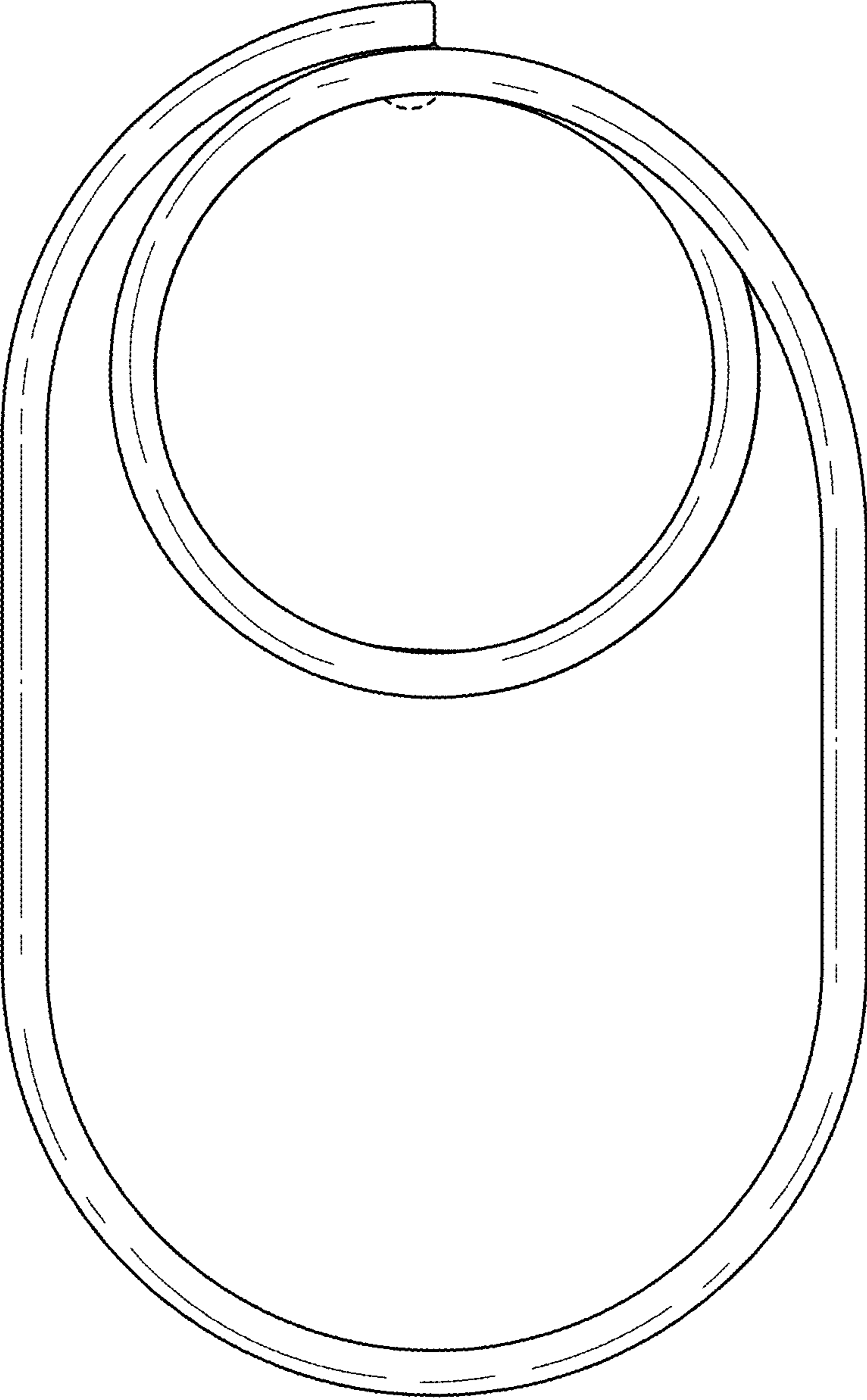


FIG. 7