



US00D786506S

(12) **United States Design Patent** (10) **Patent No.:** **US D786,506 S**
Ceva (45) **Date of Patent:** **** May 9, 2017**

(54) **HAIR CURLER**
 (71) Applicant: **Duna Enterprises S.L.**, Bilbao (ES)
 (72) Inventor: **Carlos José Ceva**, Buenos Aires (AR)
 (73) Assignee: **DUNA ENTERPRISES S.L.**, Bilbao (ES)
 (**) Term: **15 Years**

(21) Appl. No.: **29/536,841**
 (22) Filed: **Aug. 19, 2015**

(30) **Foreign Application Priority Data**

Feb. 20, 2015 (AR) 88081

(51) **LOC (10) Cl.** **28-03**

(52) **U.S. Cl.**
 USPC **D28/35**

(58) **Field of Classification Search**
 USPC D28/35, 10
 CPC ... A45D 1/00–1/28; A45D 2/00; A45D 2/001;
 A45D 2/002; A45D 2/02; A45D 2/04;
 A45D 2/06; A45D 2/08; A45D 2/10;
 A45D 2/12–2/22; A45D 2/24–2/34; A45D
 2/36–2/367
 See application file for complete search history.

(56) **References Cited**

U.S. PATENT DOCUMENTS

D457,683 S * 5/2002 Spagnolo D28/35
 D534,683 S * 1/2007 Rizzuto, Jr. D28/35

D558,395 S * 12/2007 Ceva D28/35
 D559,446 S * 1/2008 Leung D28/35
 D570,046 S * 5/2008 Leung D28/35
 D578,707 S * 10/2008 Leung D28/35
 D580,097 S * 11/2008 Leung D28/35
 D596,792 S * 7/2009 Kwok D28/35
 D629,563 S * 12/2010 Mau D28/35
 D698,488 S * 1/2014 Byun D28/35
 D726,961 S * 4/2015 Sayers D28/35
 D736,464 S * 8/2015 Fernandes da Costa D28/35
 D748,331 S * 1/2016 Prats D28/35

* cited by examiner

Primary Examiner — Jennifer Rivard

(74) *Attorney, Agent, or Firm* — Hognlund & Pamiás,
 PSC; Roberto J. Rios

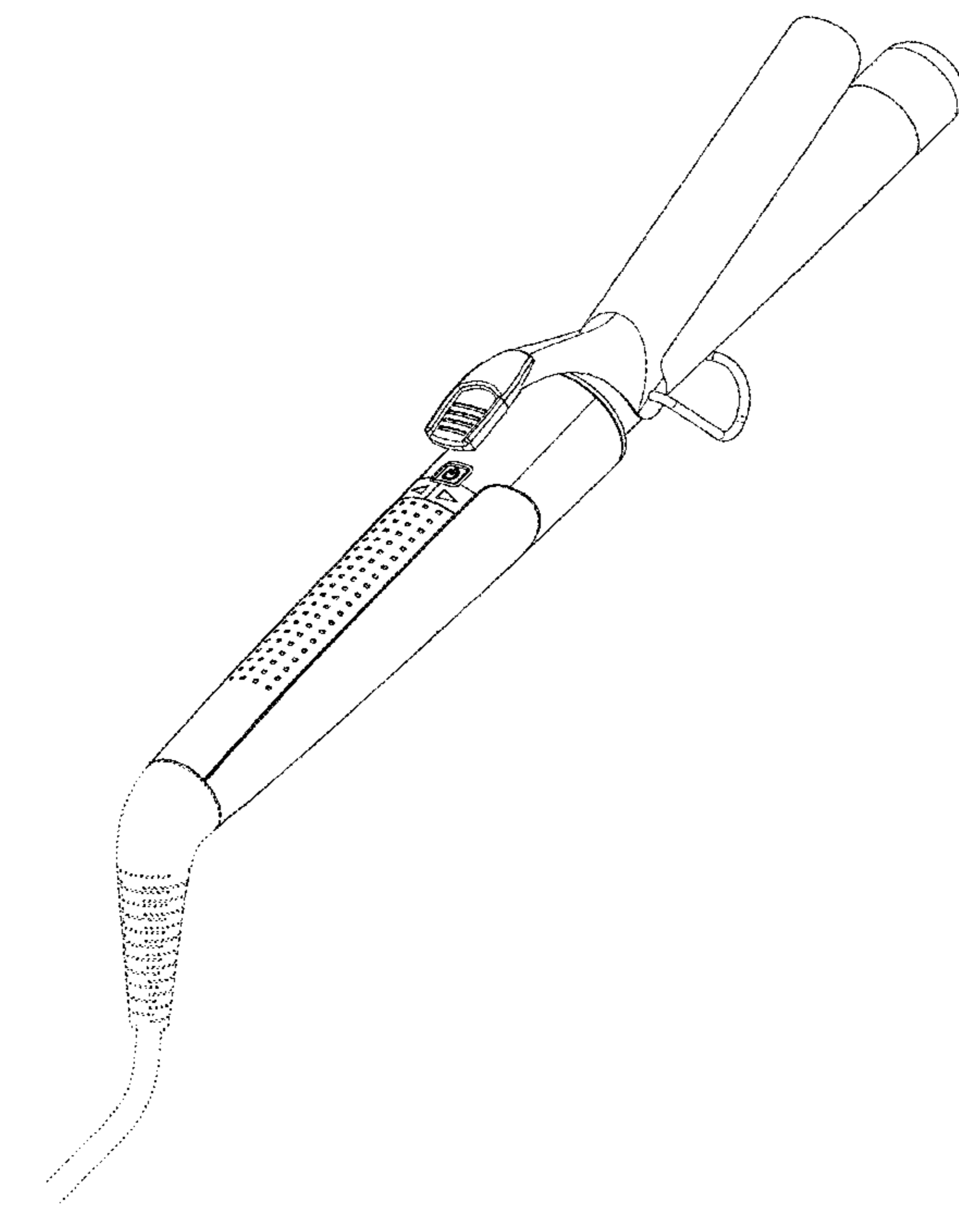
(57) **CLAIM**

The ornamental design for a hair curler, as shown and described.

DESCRIPTION

FIG. 1 is a right side perspective view of a hair curler in an open position.
 FIG. 2 is a left side perspective view thereof.
 FIG. 3 is a top view thereof.
 FIG. 4 is a bottom view thereof.
 FIG. 5 is a right view thereof, the left side being a mirror image.
 FIG. 6 is a front view thereof; and,
 FIG. 7 is a back view thereof.
 The broken lines are for the purpose of illustrating the environment of the design only and form no part of the claimed design.

1 Claim, 6 Drawing Sheets



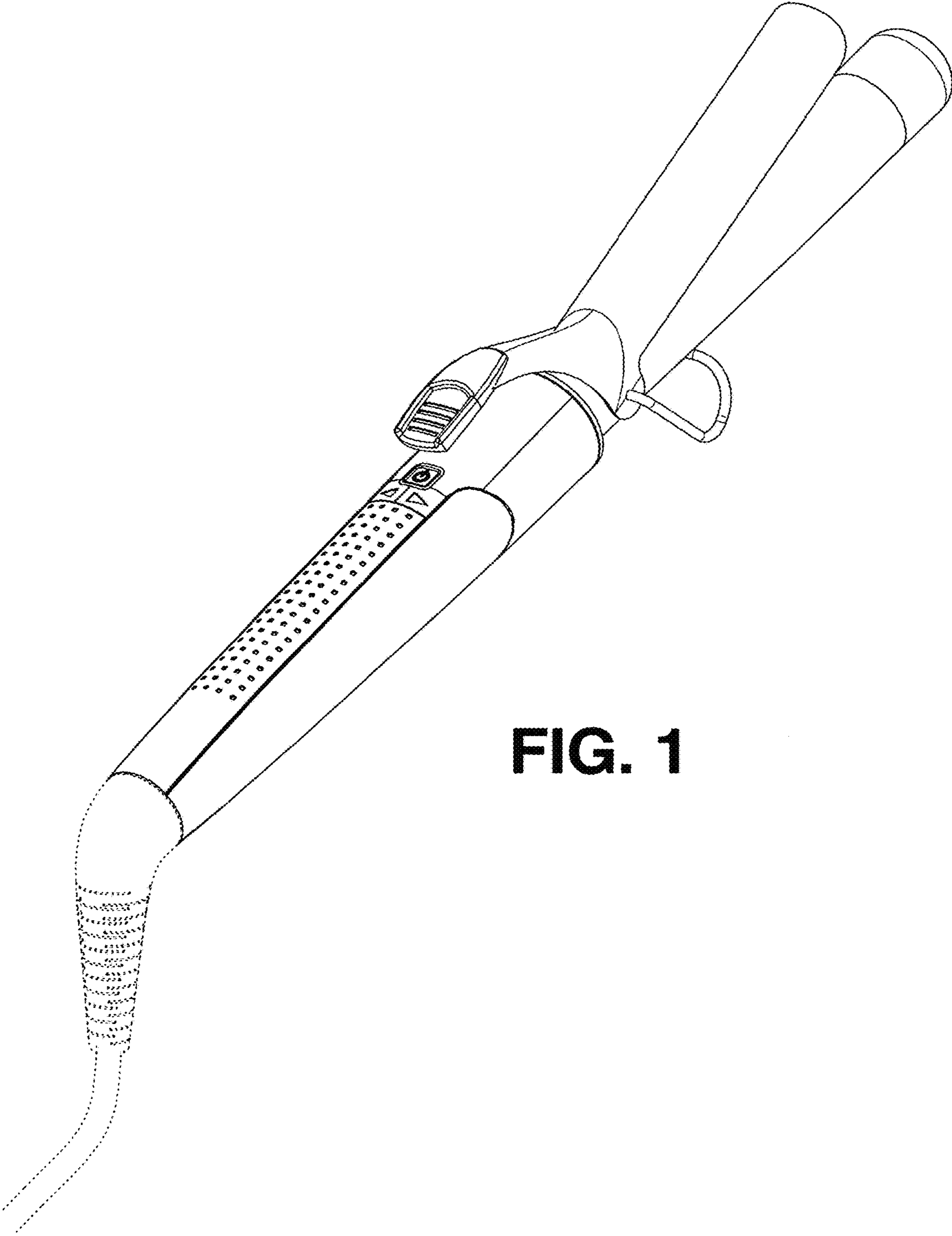


FIG. 1

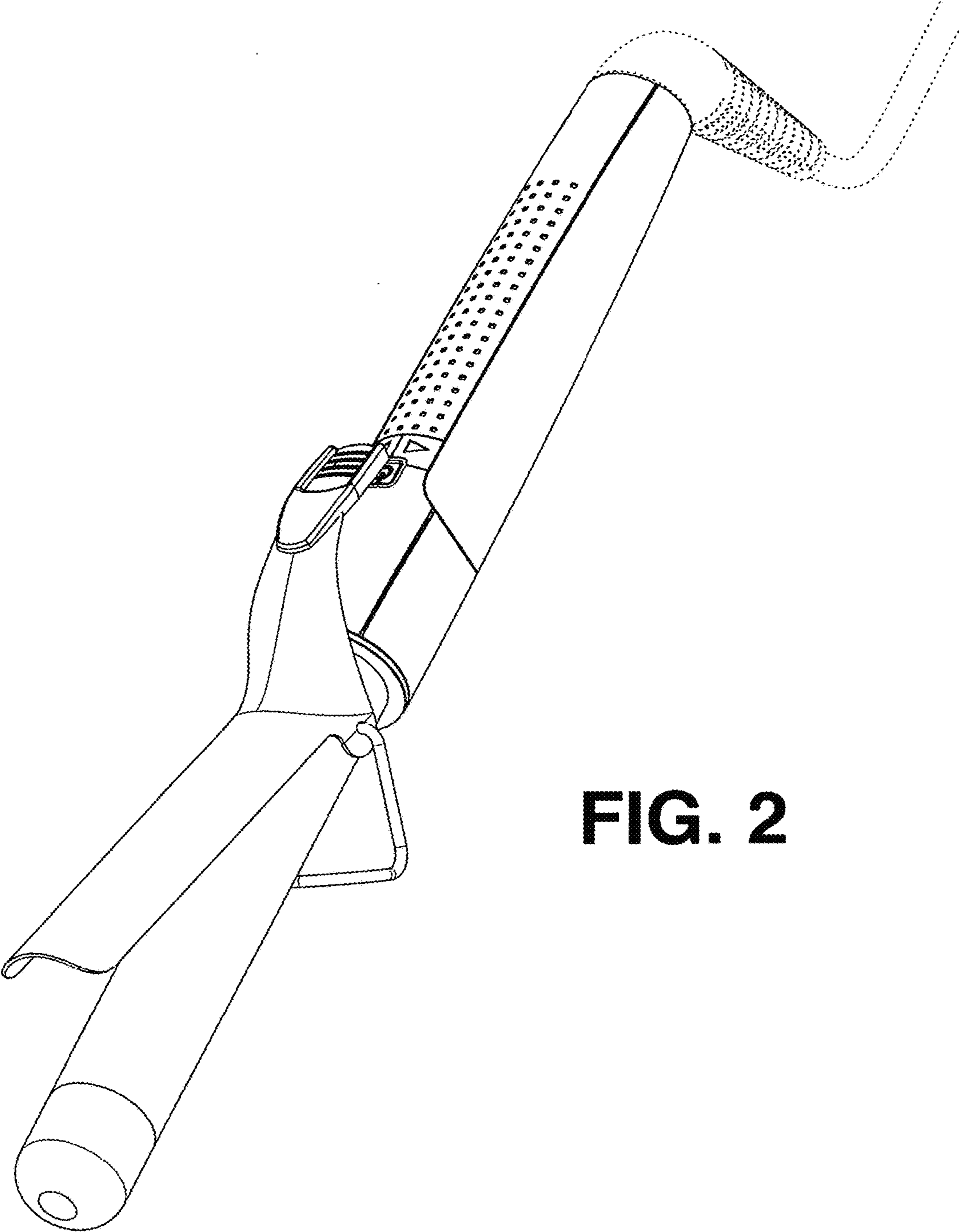


FIG. 2

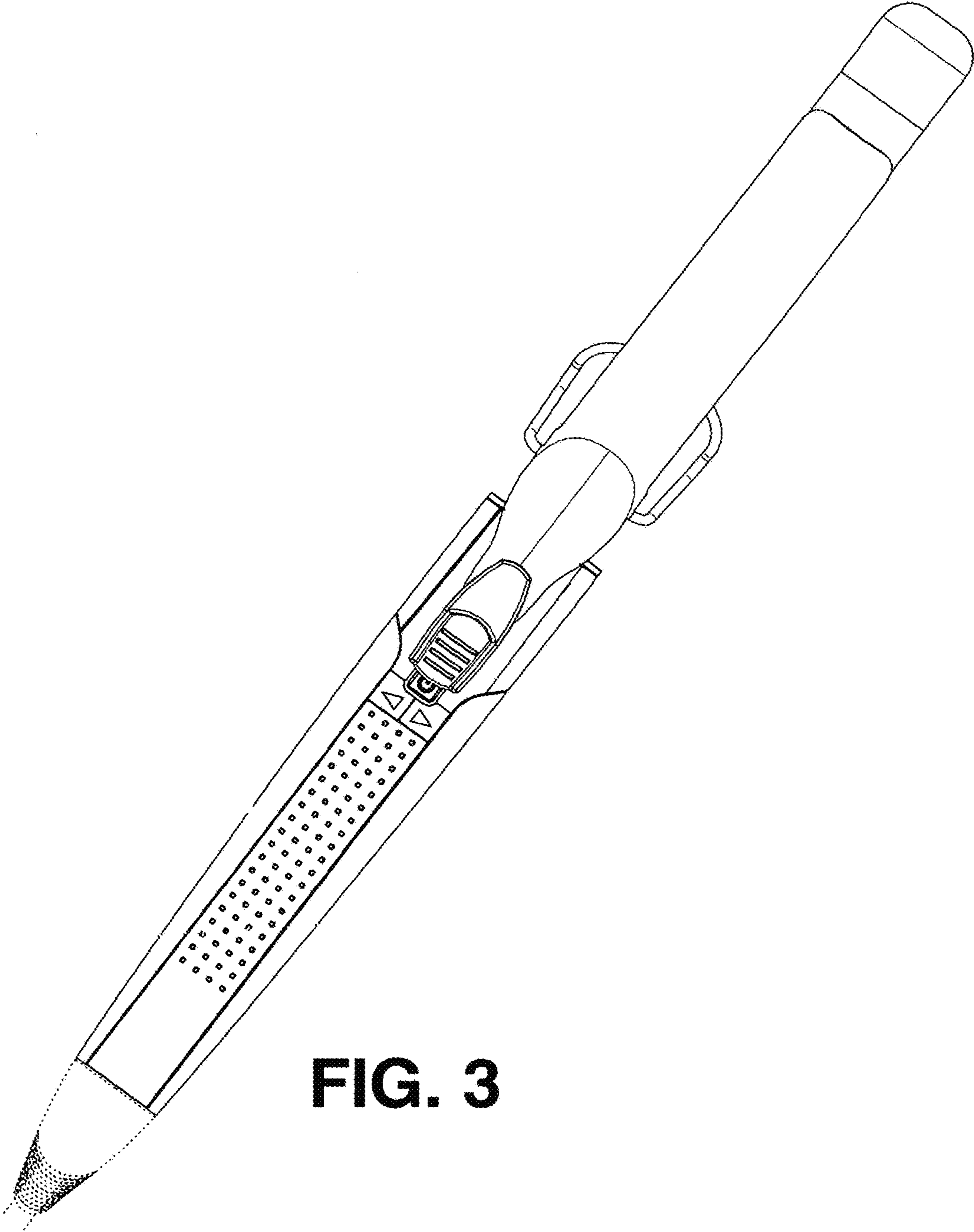


FIG. 3

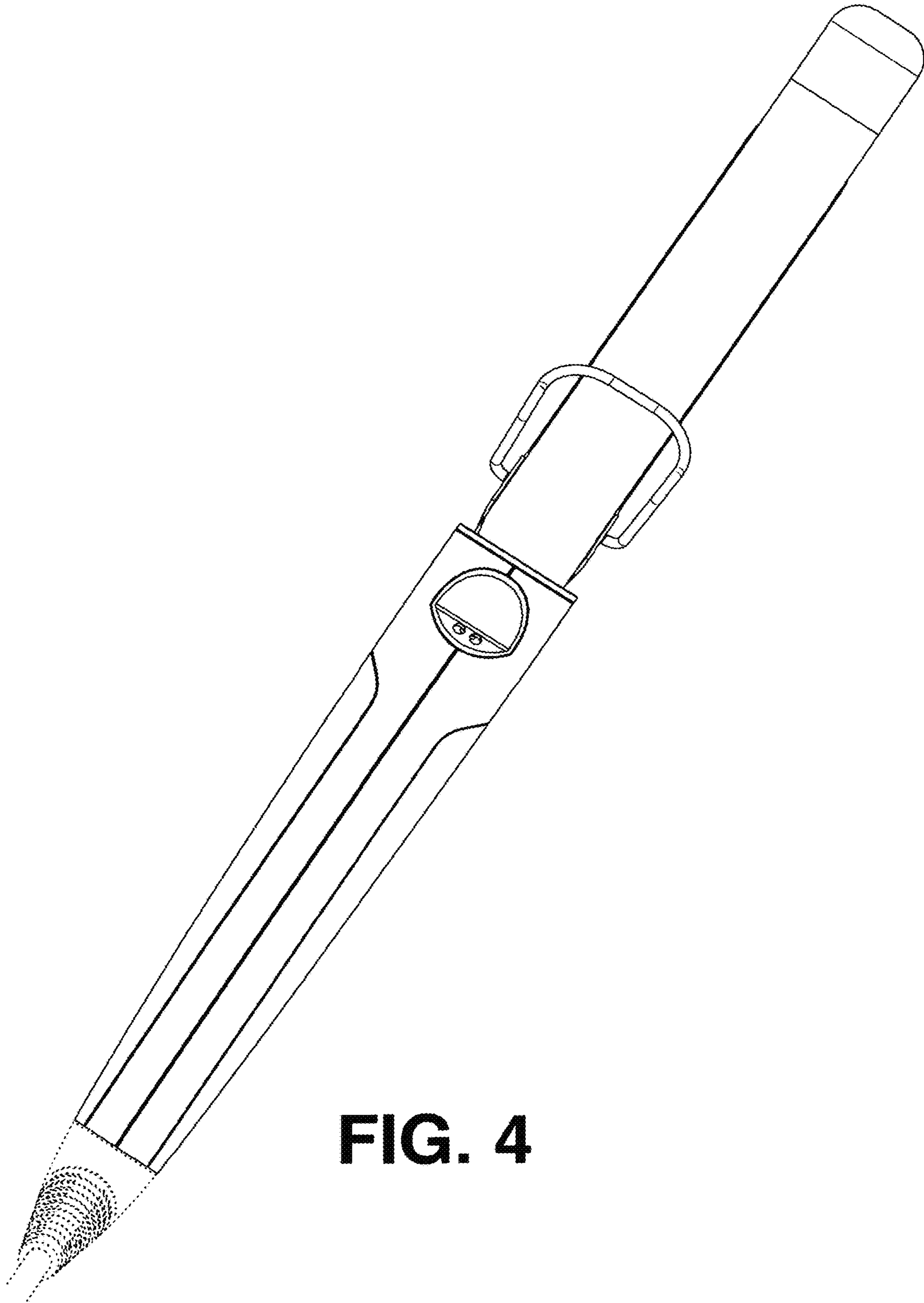


FIG. 4

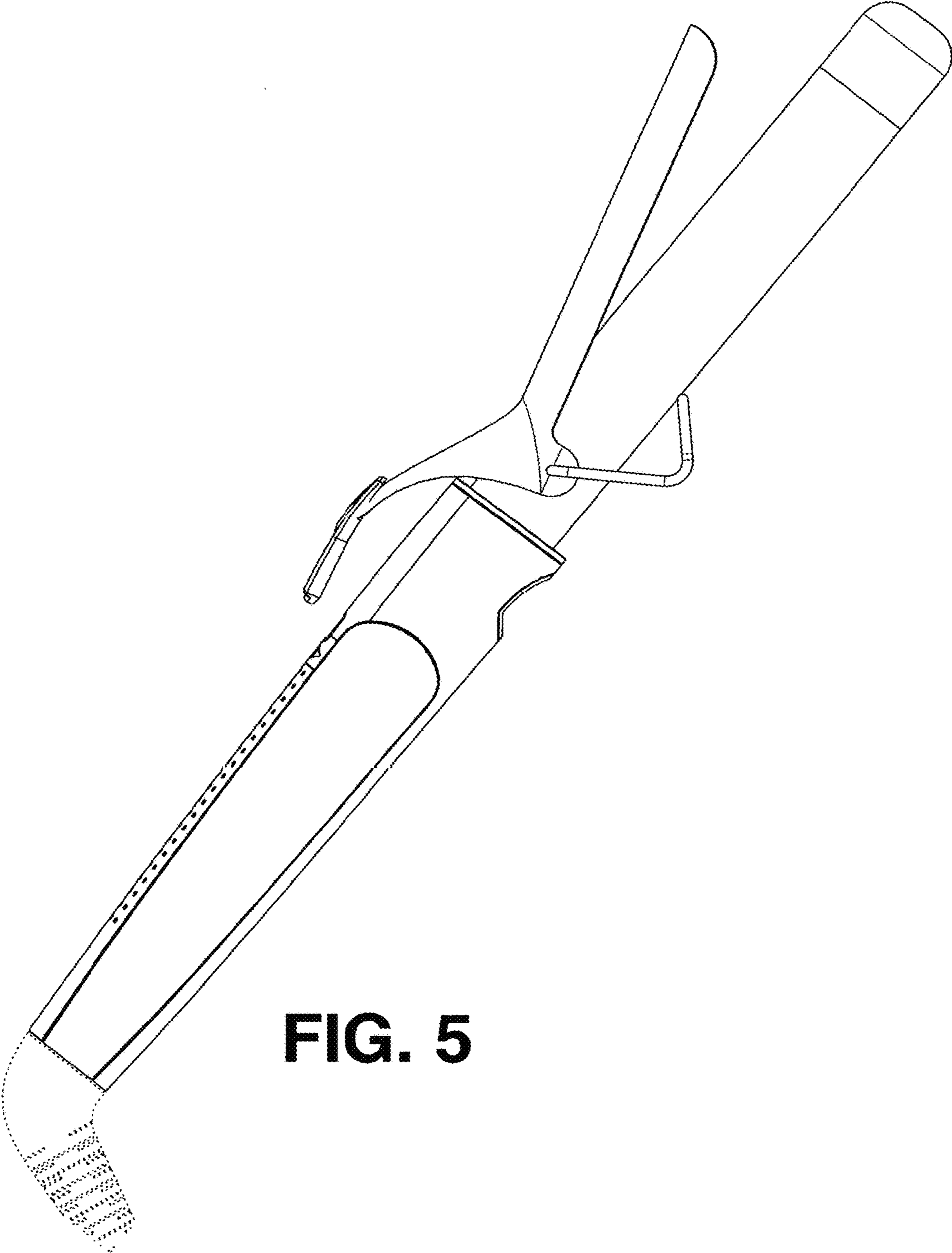


FIG. 5

FIG. 6

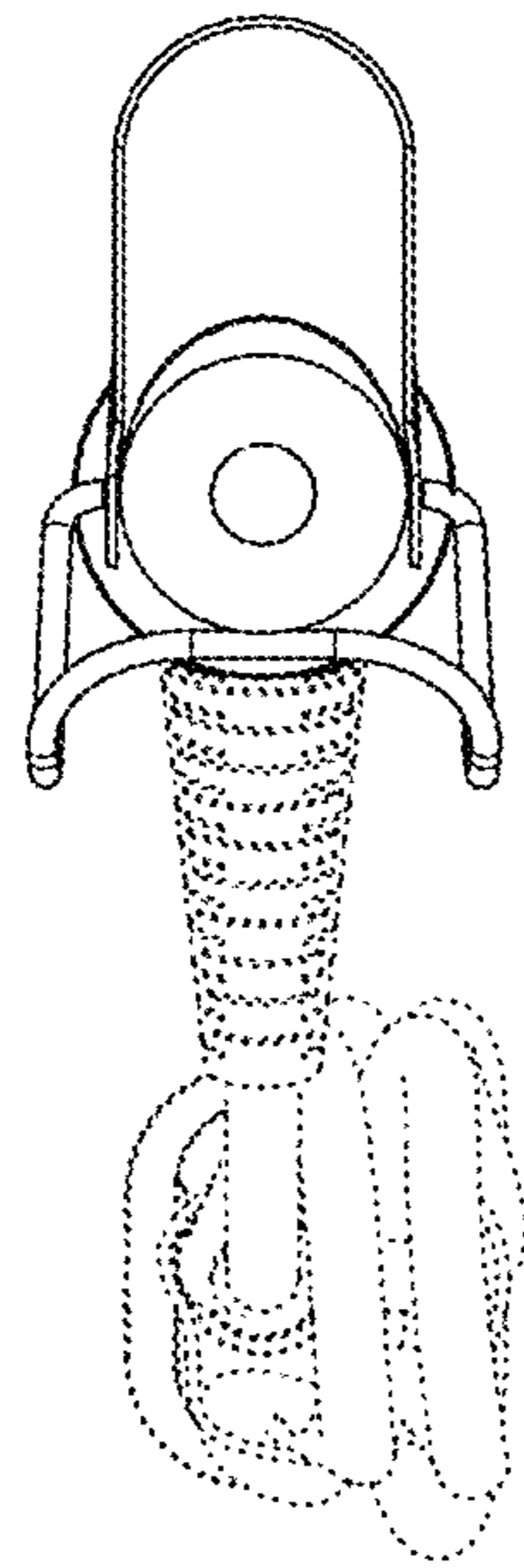


FIG. 7

