



US00D786503S

(12) **United States Design Patent**
Rigobert et al.

(10) **Patent No.: US D786,503 S**

(45) **Date of Patent: ** *May 9, 2017**

(54) **CAPSULE CONTAINING WASHING PRODUCTS**

D608,049 S * 1/2010 Schwartz D28/8.1
D621,718 S 8/2010 Mehdizadeh
D648,064 S * 11/2011 Pflug D28/8.1

(Continued)

(71) Applicant: **Reckitt Benckiser (Brands) Limited**,
Slough (GB)

FOREIGN PATENT DOCUMENTS

(72) Inventors: **Caroline Rigobert**, Heidelberg (DE);
Jordi Salvador, Granollers (ES); **Taco Dietvorst**, Eindhoven (NL)

DE 49907674-0005 9/2014
DE 49907674-0009 9/2014

(Continued)

(73) Assignee: **RECKITT BENCKISER (BRANDS) LIMITED**, Slough (GB)

Primary Examiner — Jennifer Rivard
(74) *Attorney, Agent, or Firm* — Troutman Sanders LLP;
Ryan Schneider; Chris Davis

(*) Notice: This patent is subject to a terminal disclaimer.

(57) **CLAIM**

The ornamental design for a capsule containing washing products, as shown and described.

(**) Term: **15 Years**

DESCRIPTION

(21) Appl. No.: **29/554,944**

(22) Filed: **Feb. 17, 2016**

(30) **Foreign Application Priority Data**

Aug. 17, 2015 (EM) 002756205-0005

(51) **LOC (10) Cl.** **28-02**

(52) **U.S. Cl.**
USPC **D28/8.1; D9/425**

(58) **Field of Classification Search**
USPC D9/424–426, 428, 430–432, 702, 707,
D9/710, 737, 759
CPC C11D 17/04; C11D 17/041–17/042; C11D
17/043–17/047; C11D 17/0047–17/0091;
C11D 17/0095; C11D 17/00–17/0021
See application file for complete search history.

FIG. 1 is a perspective view of a capsule containing washing products of the present invention;
FIG. 2 is a side view of the capsule containing washing products of FIG. 1;
FIG. 3 is the other side view of the capsule containing washing products of FIG. 1;
FIG. 4 is a back view of the capsule containing washing products of FIG. 1;
FIG. 5 is a front view of the capsule containing washing products of FIG. 1;
FIG. 6 is a top view of the capsule containing washing products of FIG. 1; and,
FIG. 7 is a bottom view of the capsule containing washing products of FIG. 1.

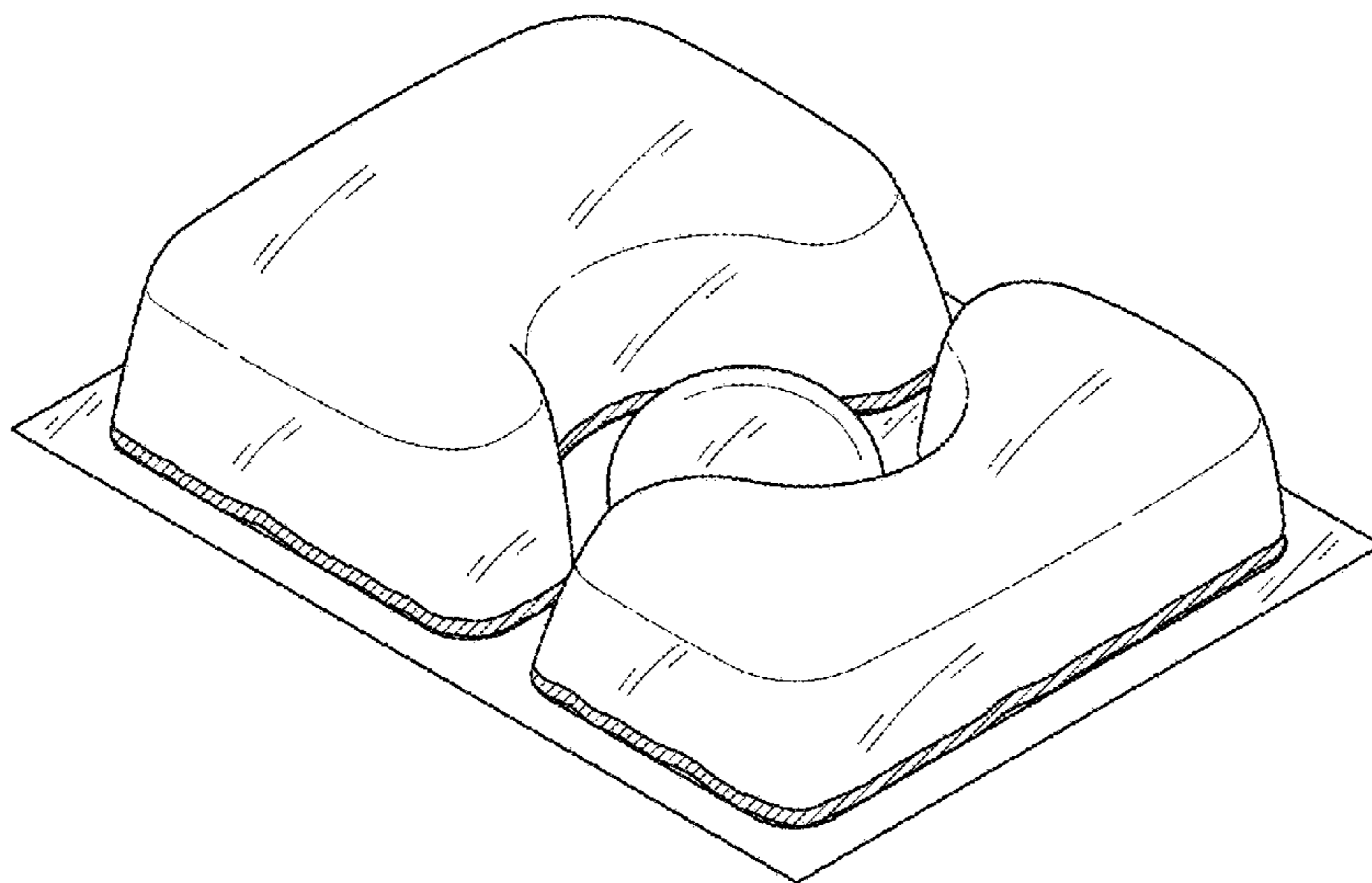
The use of a separation and a bracket in each of FIGS. 1-7 indicate that, for each illustration, the precise height of the capsule containing washing products is not known (i.e., the break lines in FIGS. 1-7 represent indeterminate length). The capsule containing washing products is shown with a symbolic break in its height. The appearance of any portion of the article between the break lines forms no part of the claimed design.

(56) **References Cited**

U.S. PATENT DOCUMENTS

D565,244 S * 3/2008 Schwartz D28/8.1
D599,056 S * 8/2009 Schwartz D28/8.1

1 Claim, 3 Drawing Sheets



(56)

References Cited

U.S. PATENT DOCUMENTS

D649,710 S 11/2011 Mehdizadeh
 D656,668 S * 3/2012 Stone D28/8.1
 D659,902 S 5/2012 Mehdizadeh
 D663,894 S * 7/2012 Davanzo D28/8.1
 D679,863 S * 4/2013 Sunder D28/8.1
 D689,241 S 9/2013 Gerhards
 D691,326 S 10/2013 Gerhards
 D695,451 S 12/2013 Gerhards
 D714,161 S * 9/2014 Crawford D9/707
 D728,157 S * 4/2015 Sarb D28/8.1
 D732,735 S 6/2015 Nixon et al.
 D733,962 S * 7/2015 Sunder D28/8.1
 D735,407 S * 7/2015 Gerhards D28/8.1
 D735,408 S * 7/2015 Meier D28/8.1
 D735,409 S 7/2015 Sunder
 D744,162 S * 11/2015 Sunder D28/8.1
 D748,330 S * 1/2016 Gerhards D28/8.1
 2005/0263428 A1 * 12/2005 Duffield C11D 17/042
 206/524.7
 2010/0105596 A1 * 4/2010 Wiedemann C11D 17/041
 510/220

FOREIGN PATENT DOCUMENTS

EM 000019070-0001 12/2005
 EM 000019070-0002 12/2005
 EM 000019070-0003 12/2005
 EM 000019070-0004 12/2005
 EM 000019070-0005 12/2005
 EM 000019070-0006 12/2005
 EM 000019070-0007 12/2005
 EM 000019070-0008 12/2005
 EM 000050380-0001 12/2005
 EM 000050380-0004 12/2005
 EM 000675855-0001 4/2007
 EM 000675855-0002 4/2007
 EM 002063214-0001 6/2012
 EM 002063412-0004 6/2012
 EM 002118075-0001 10/2012
 EM 002118075-0002 10/2012
 EM 002118075-0003 10/2012
 EM 001859505-0001 11/2012
 EM 001859505-0002 11/2012
 EM 001859505-0003 11/2012
 EM 001859505-0004 11/2012
 EM 001859505-0005 11/2012
 EM 001859505-0006 11/2012
 EM 001859505-0007 11/2012
 EM 001859505-0008 11/2012
 EM 001859505-0009 11/2012
 EM 001859505-0010 11/2012
 EM 001378921-0001 8/2013
 EM 001378921-0002 8/2013
 EM 001378921-0003 8/2013
 EM 001382477-0001 9/2013
 EM 001382477-0002 9/2013
 EM 001913831-0001 10/2013
 EM 001913831-0002 10/2013
 EM 001913831-0003 10/2013
 EM 001913831-0004 10/2013
 EM 001913831-0005 10/2013
 EM 001913831-0006 10/2013
 EM 001913831-0007 10/2013
 EM 001913831-0008 10/2013
 EM 001386155-0001 11/2013
 EM 001913419-0001 11/2013
 EM 001913419-0002 11/2013

EM 001913419-0003 11/2013
 EM 001913419-0004 11/2013
 EM 002390658-0001 1/2014
 EM 002390658-0002 1/2014
 EM 002390658-0003 1/2014
 EM 002390658-0004 1/2014
 EM 002390658-0005 1/2014
 EM 002390658-0006 1/2014
 EM 002390658-0007 1/2014
 EM 002390658-0008 1/2014
 EM 002453282-0001 4/2014
 EM 002453282-0002 4/2014
 EM 002480079-0001 6/2014
 EM 002480079-0002 6/2014
 EM 002480079-0003 6/2014
 EM 002480079-0004 6/2014
 EM 002063412-0001 9/2014
 EM 002063412-0002 9/2014
 EM 002063412-0003 9/2014
 EM 002063453-0001 9/2014
 EM 002063438-0001 10/2014
 EM 002680801-0001 4/2015
 EM 002680801-0002 4/2015
 EM 002680801-0003 4/2015
 EM 002294900-0001 9/2015
 EM 002294900-0002 9/2015
 EM 002294900-0003 9/2015
 EM 002294900-0004 9/2015
 EM 002294900-0005 9/2015
 EM 002294900-0006 9/2015
 EM 002844035-0001 11/2015
 EM 002844035-0002 11/2015
 EP 1375637 A1 1/2004
 EP 1478727 B2 11/2004
 PL 21973 S2 2/2016
 TR DM-082599-0003 4/2013
 TR DM-082599-0005 4/2013
 TR DM-082599-0012 4/2013
 TR DM-082599-0015 4/2013
 TR DM-082599-0020 4/2013
 TR DM-082599-0022 4/2013
 TR DM-082599-0023 4/2013
 WO 0136290 A1 5/2001
 WO 20080087417 A1 7/2008
 WO DM-082599-0001 4/2013
 WO DM-082599-0002 4/2013
 WO DM-082599-0004 4/2013
 WO DM-082599-0006 4/2013
 WO DM-082599-0007 4/2013
 WO DM-082599-0008 4/2013
 WO DM-082599-0009 4/2013
 WO DM-082599-0010 4/2013
 WO DM-082599-0011 4/2013
 WO DM-082599-0013 4/2013
 WO DM-082599-0014 4/2013
 WO DM-082599-0016 4/2013
 WO DM-082599-0017 4/2013
 WO DM-082599-0018 4/2013
 WO DM-082599-0019 4/2013
 WO DM-082599-0021 4/2013
 WO DM-082599-0024 4/2013
 WO DM-082599-0025 4/2013
 WO DM-082599-0026 4/2013
 WO DM-082599-0027 4/2013
 WO DM-082599-0028 4/2013
 WO DM-082599-0029 4/2013
 WO DM-083857-0001 6/2014
 WO DM-083857-0002 6/2014
 WO DM-083857-0003 6/2014
 WO DM-085740-0001 2/2015

* cited by examiner

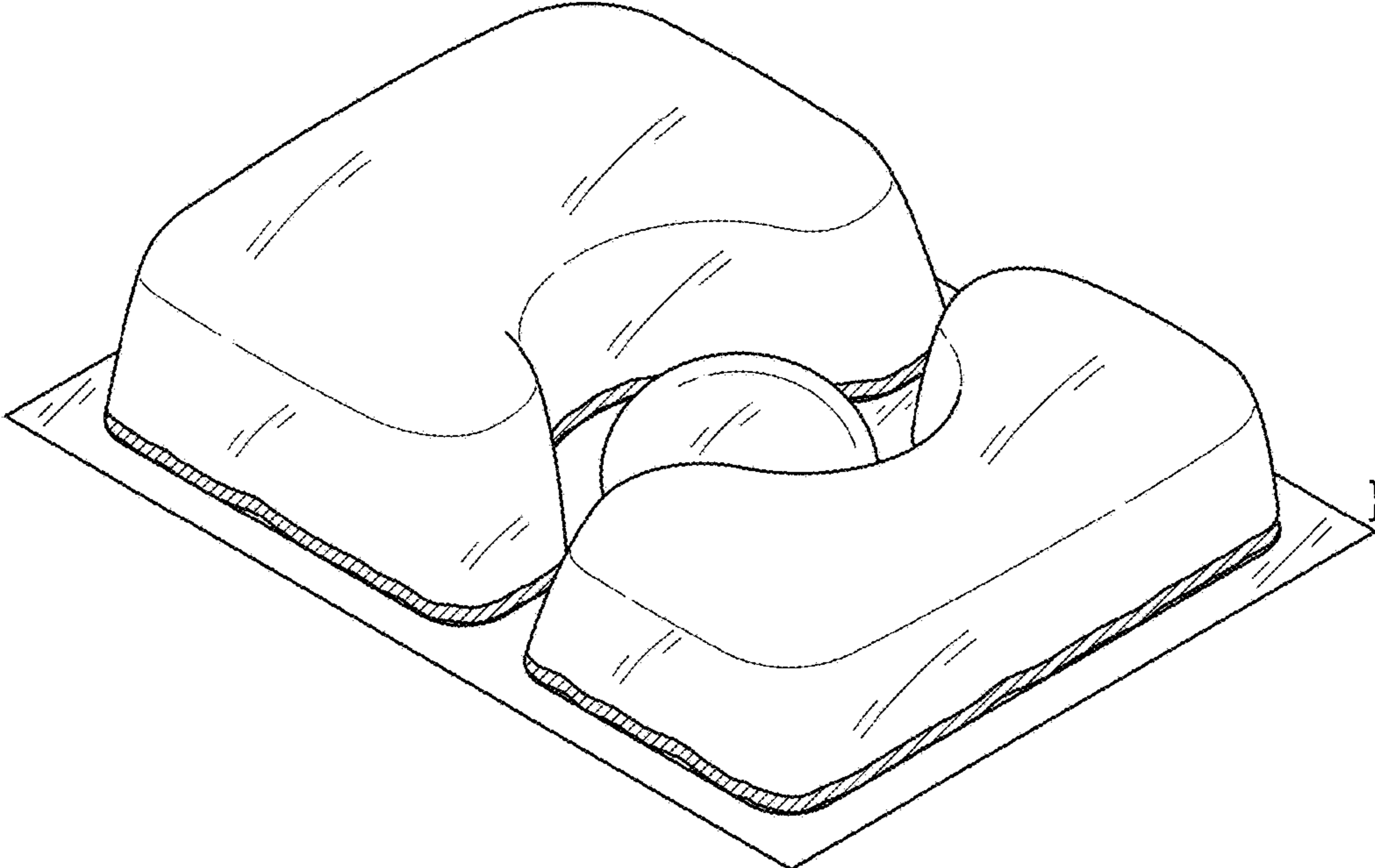


Fig. 1

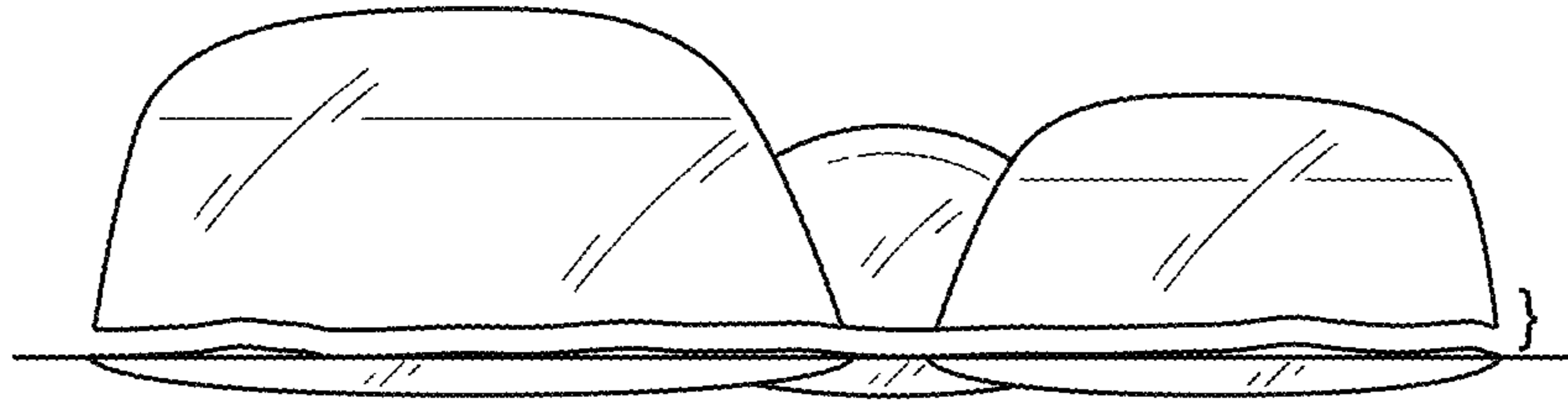


Fig. 2

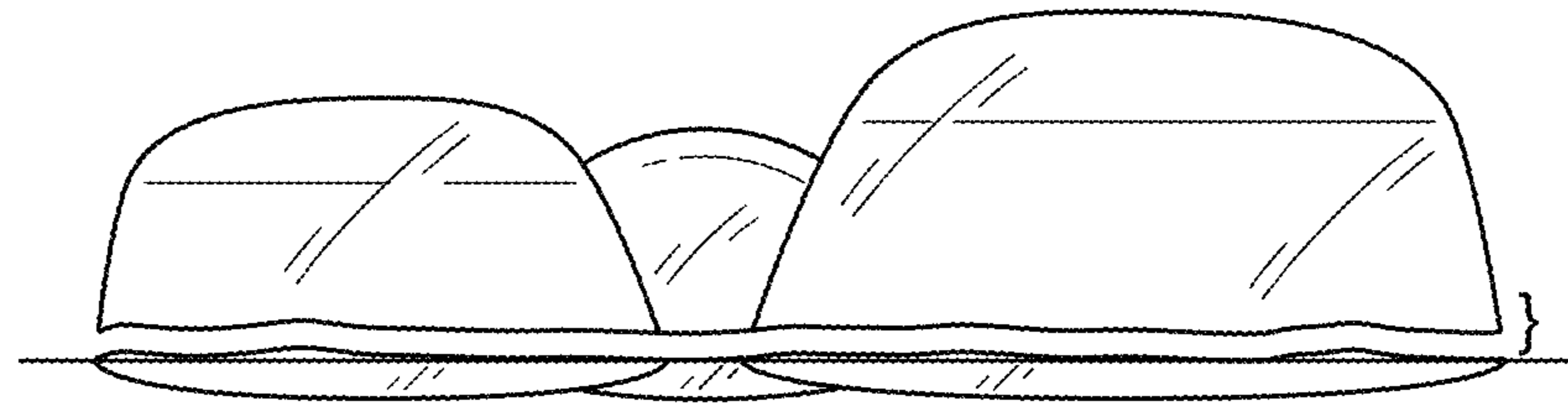


Fig. 3



Fig. 4

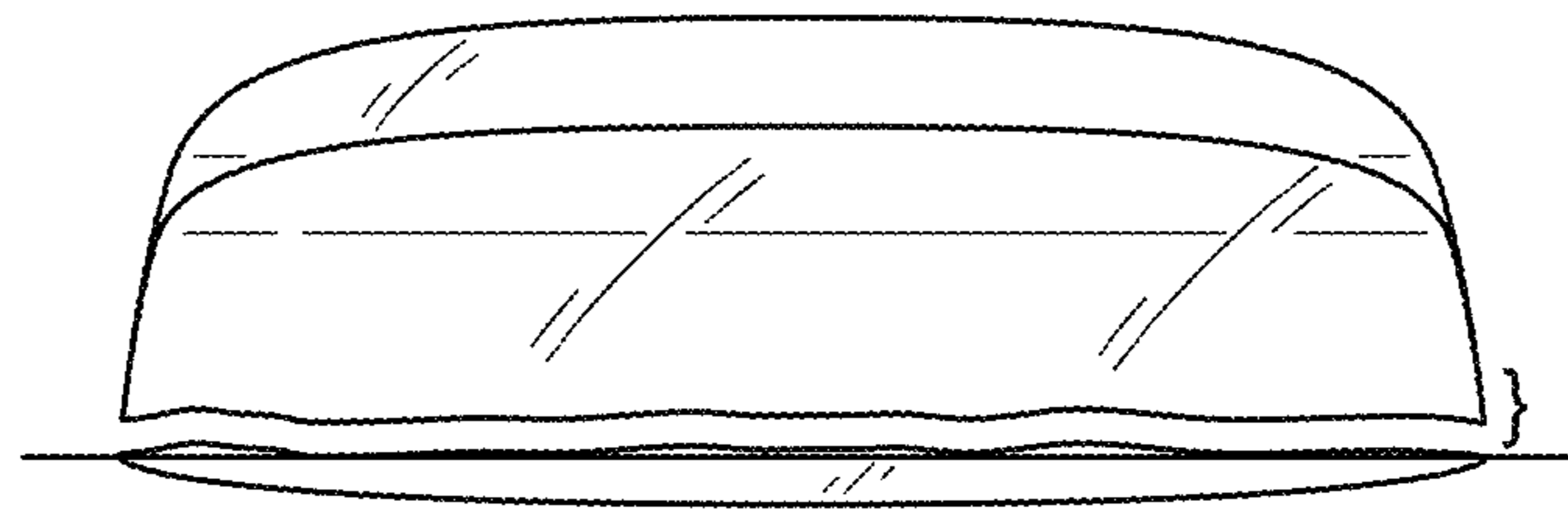


Fig. 5

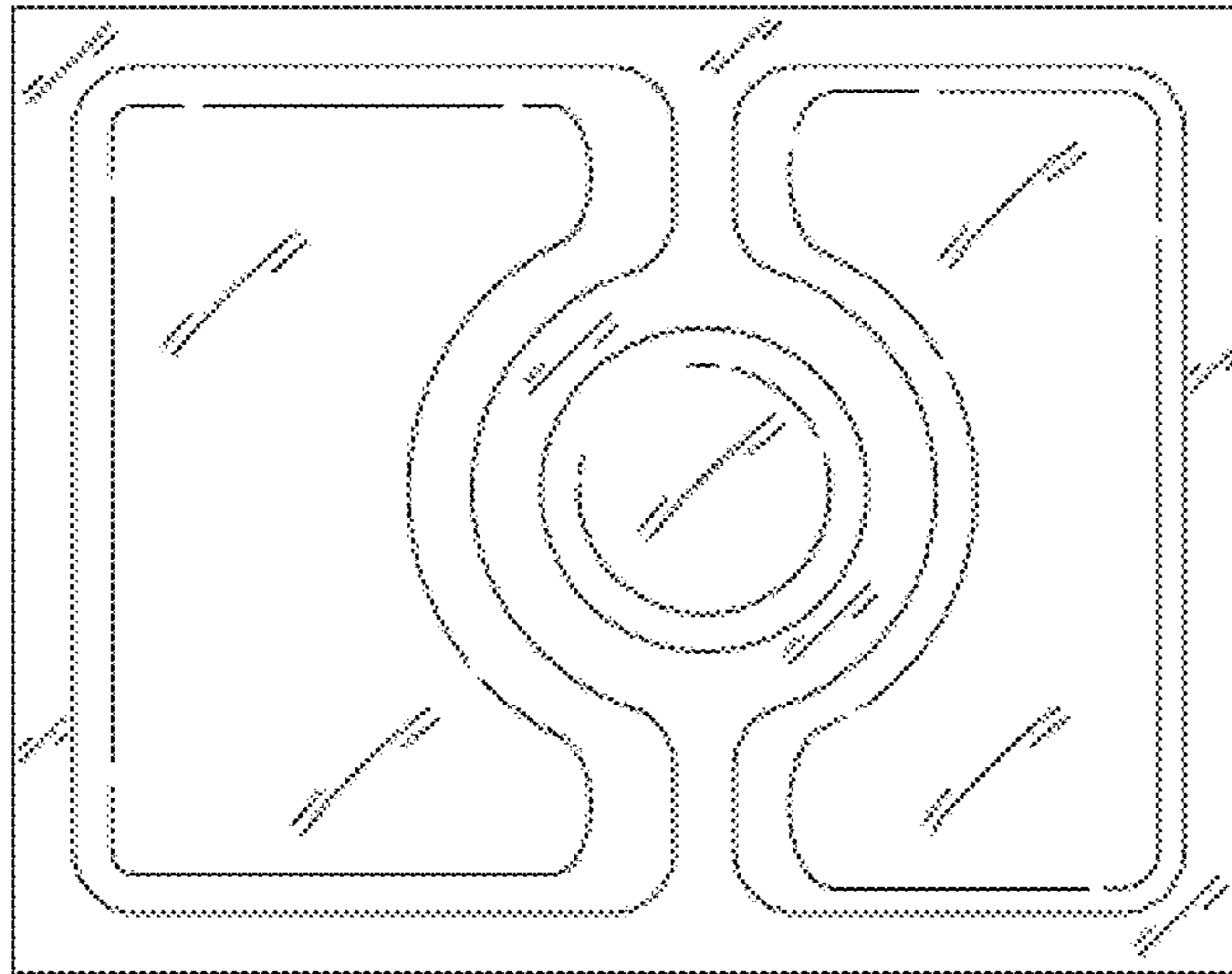


Fig. 6

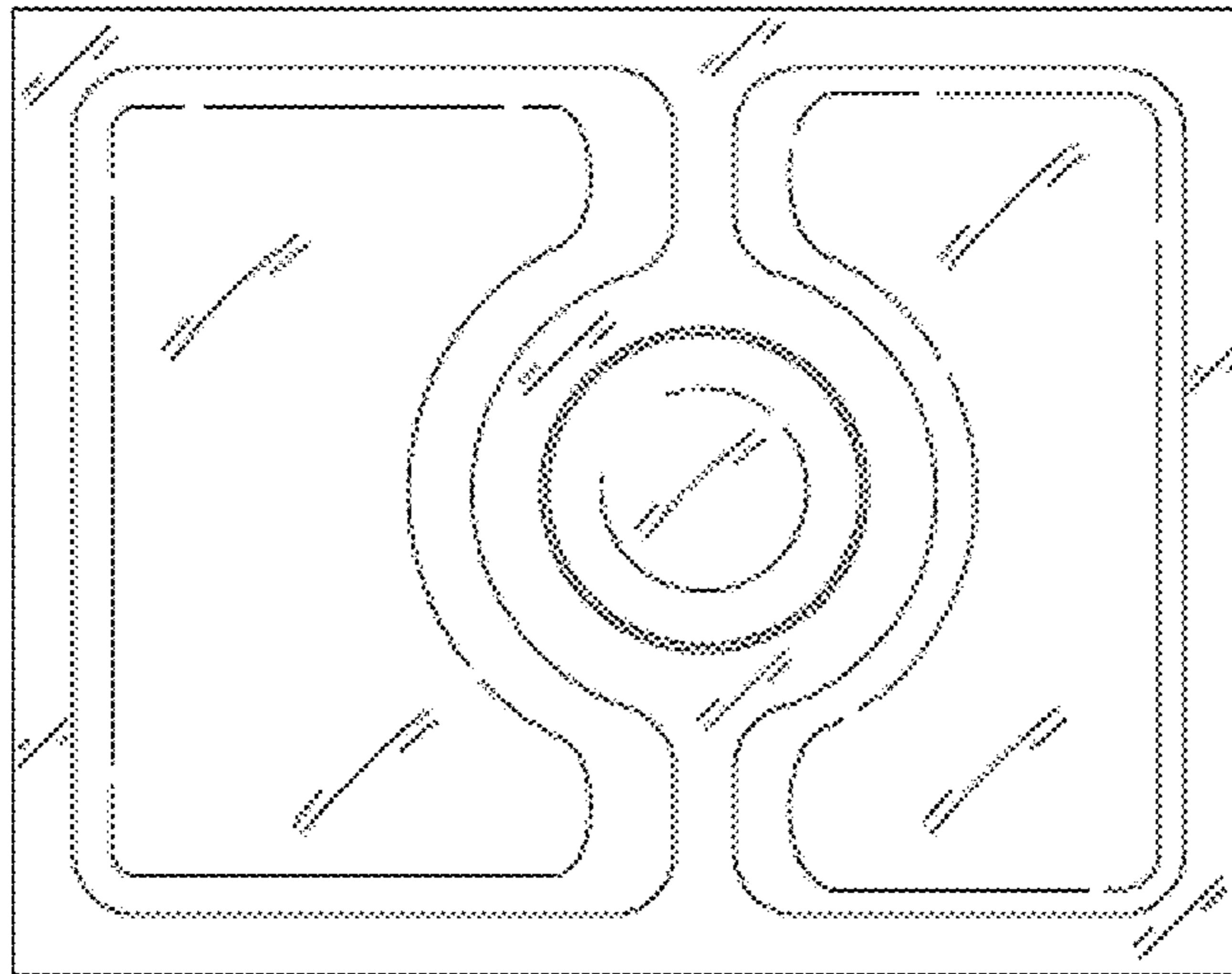


Fig. 7