



US00D786498S

(12) **United States Design Patent**
Medioni

(10) **Patent No.:** **US D786,498 S**

(45) **Date of Patent:** **** May 9, 2017**

(54) **FINGERTIP EYELINER**

(71) Applicant: **SEPHORA**, Boulogne Billancourt (FR)

(72) Inventor: **Stephanie Medioni**, Boulogne Billancourt (FR)

(73) Assignee: **SEPHORA**, Boulogne Billancourt (FR)

(**) Term: **15 Years**

(21) Appl. No.: **29/539,486**

(22) Filed: **Sep. 15, 2015**

(30) **Foreign Application Priority Data**

Mar. 17, 2015 (EM) 002657486-0001

(51) **LOC (10) Cl.** **28-03**

(52) **U.S. Cl.**
USPC **D28/7**

(58) **Field of Classification Search**
USPC D28/7, 8, 20-22, 30, 63, 76, 99; D9/504,
D9/715, 718, 719; D4/116, 132-135
CPC A61M 35/003; A45D 40/265
See application file for complete search history.

(56) **References Cited**

U.S. PATENT DOCUMENTS

D223,437 S *	4/1972	Lluch	D9/504
D254,035 S *	1/1980	Gueret	D28/7
D299,973 S *	2/1989	Campello	D28/7
D322,516 S *	12/1991	Korper	D19/66
5,529,415 A *	6/1996	Bishop	B43K 23/012 401/7
D436,225 S *	1/2001	Garofano	D28/7
6,305,385 B1 *	10/2001	Szekely	A45D 40/267 132/218
D634,478 S *	3/2011	Kolas	D28/77
D653,398 S *	1/2012	Acierto	D28/84
2011/0052309 A1 *	3/2011	Wu	A45D 34/04 401/261

* cited by examiner

Primary Examiner — Sheryl Lane

Assistant Examiner — Calvin E Vansant

(74) *Attorney, Agent, or Firm* — King & Spalding LLP

(57) **CLAIM**

The ornamental design for a fingertip eyeliner, as shown and described.

DESCRIPTION

FIG. 1 is a top perspective view of a fingertip eyeliner with the hollow cap and bottle assembled, showing my new design;

FIG. 2 is a bottom perspective view thereof;

FIG. 3 is a side elevation view thereof, the other side views being the same as the view shown in FIG. 3;

FIG. 4 is a bottom plan view thereof;

FIG. 5 is a top plan view thereof;

FIG. 6 is an inside perspective view of the hollow cap thereof;

FIG. 7 is a side elevation view of the hollow cap thereof, the other side views being the same as the view shown in FIG. 7;

FIG. 8 is an inside plan view of the hollow cap thereof;

FIG. 9 is an inside perspective view of the bottle thereof;

FIG. 10 is a side elevation view of the bottle thereof; and

FIG. 11 is an inside plan view of the bottle thereof.

FIG. 12 is an inside perspective view of another embodiment of the hollow cap of a fingertip eyeliner showing my new design;

FIG. 13 is a side elevation view of the hollow cap thereof, the other side views being the same as the view shown in FIG. 13; and,

FIG. 14 is an inside plan view of the hollow cap thereof.

The broken lines shown in the figures represent unclaimed subject matter and form no part of the claimed design. The dash-dot-dash lines indicate the boundaries of the claimed subject matter.

1 Claim, 5 Drawing Sheets

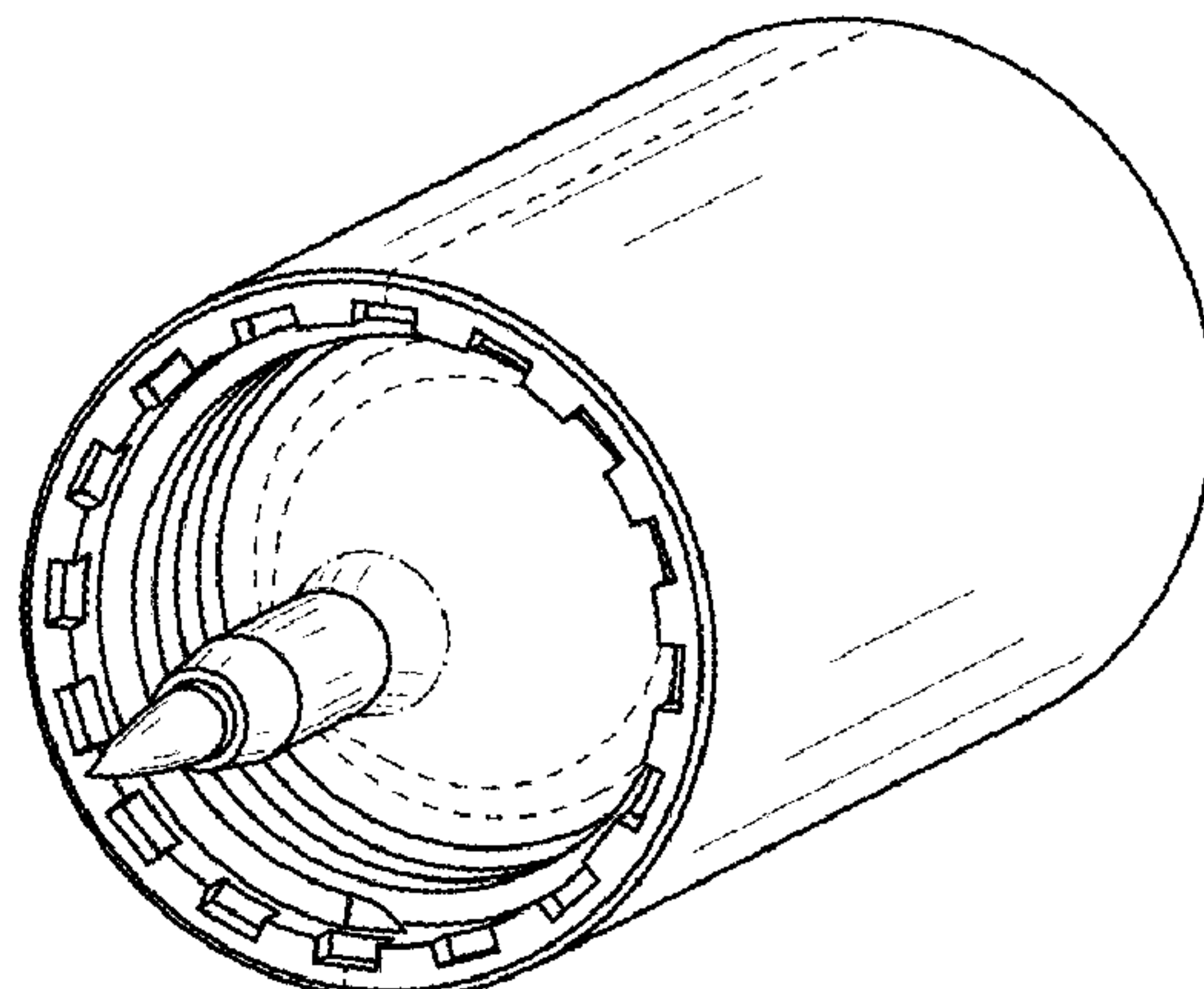
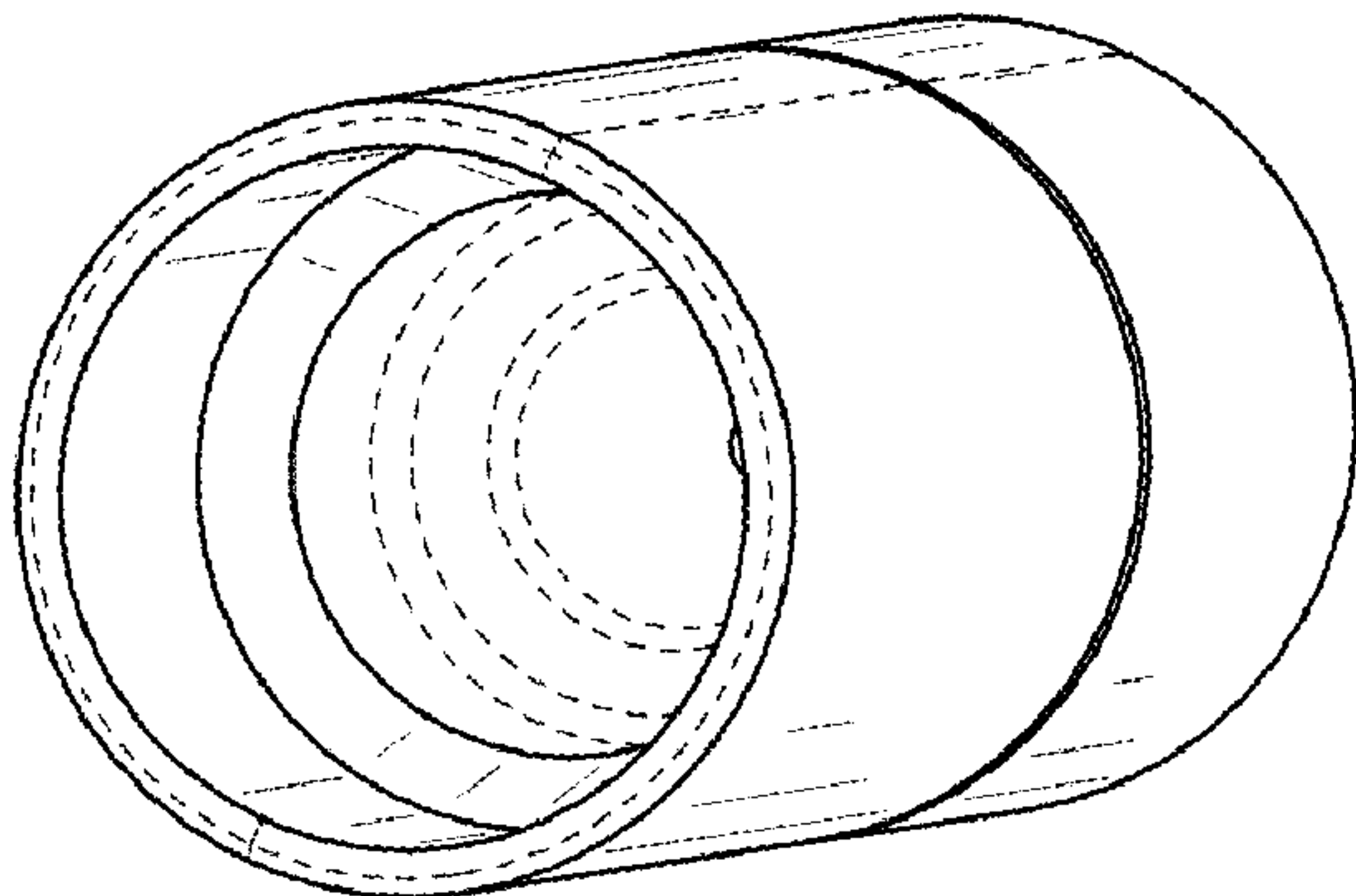


FIG. 1

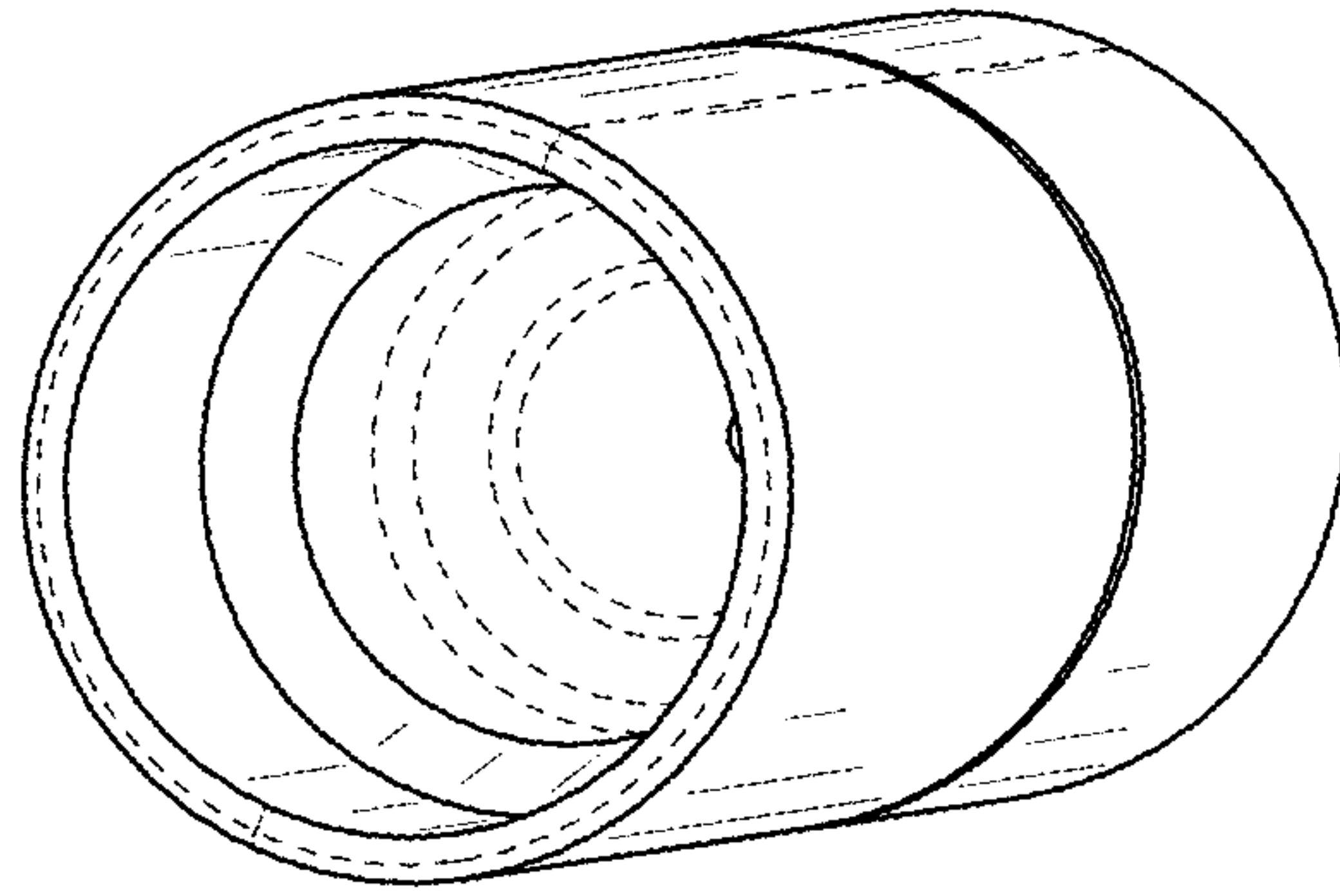


FIG. 2

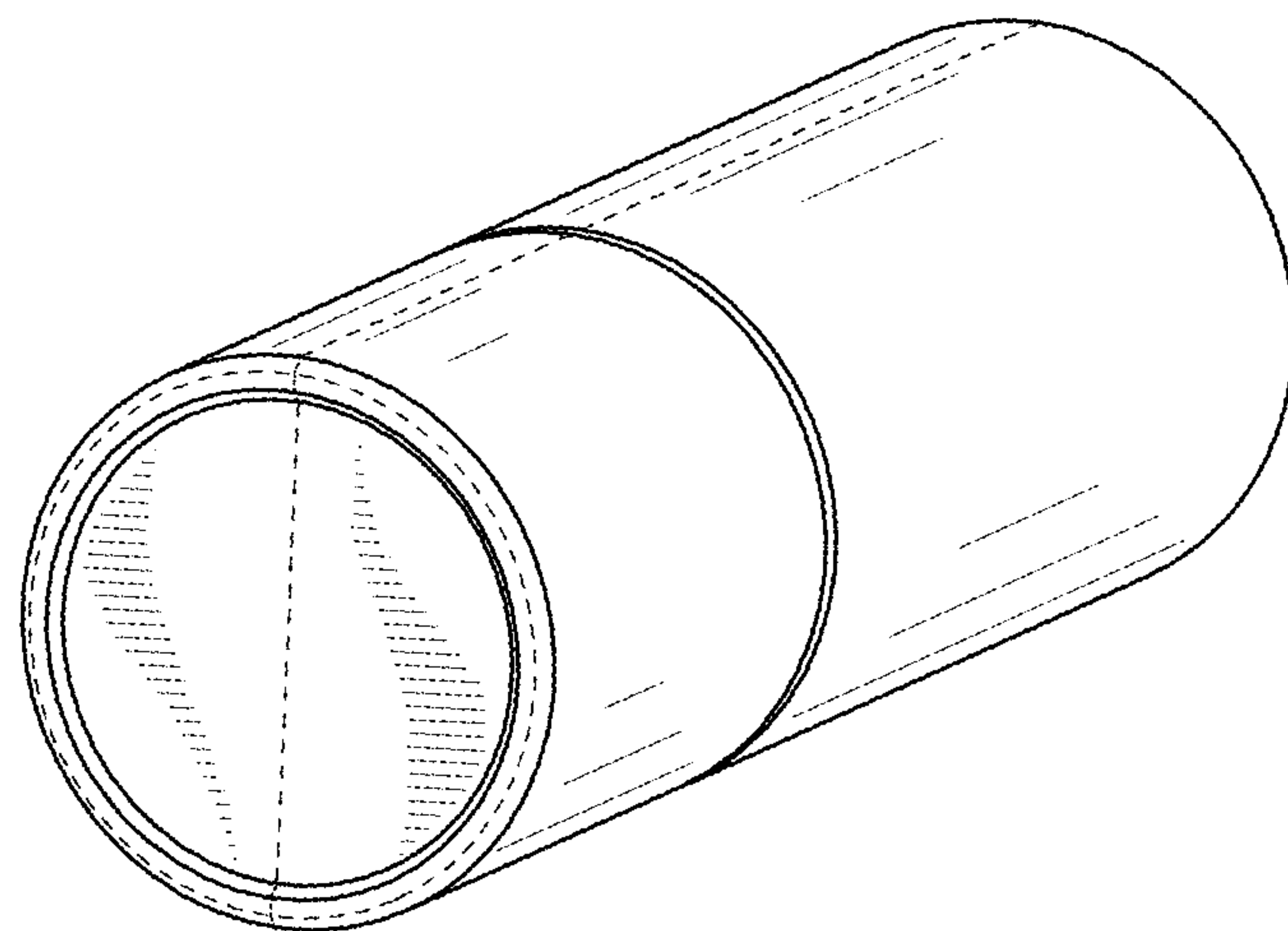


FIG. 3

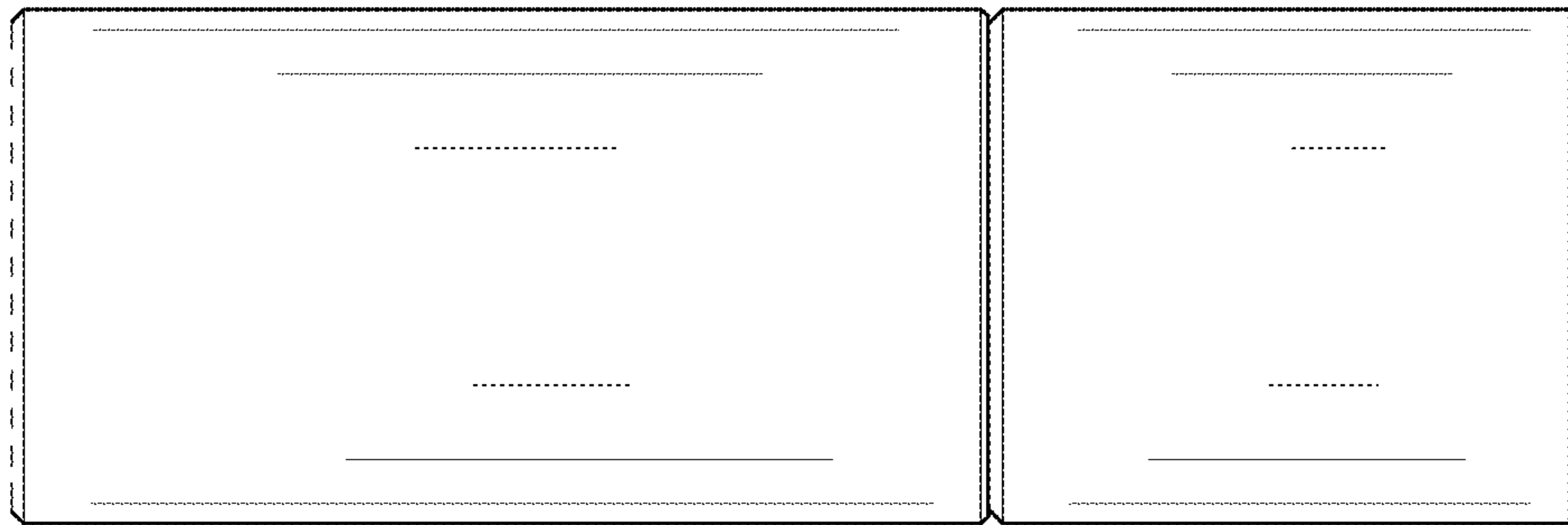


FIG. 4

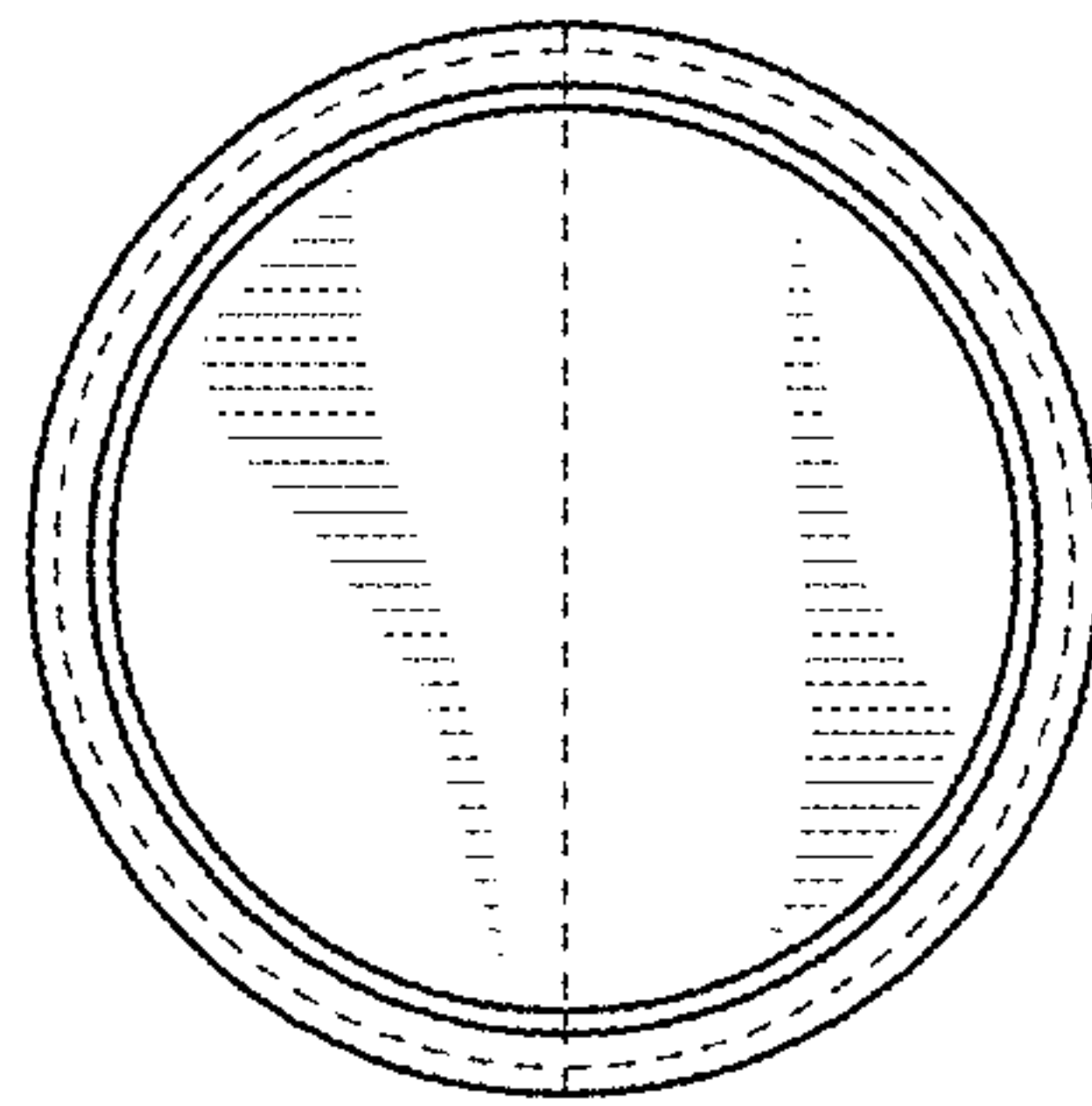


FIG. 5

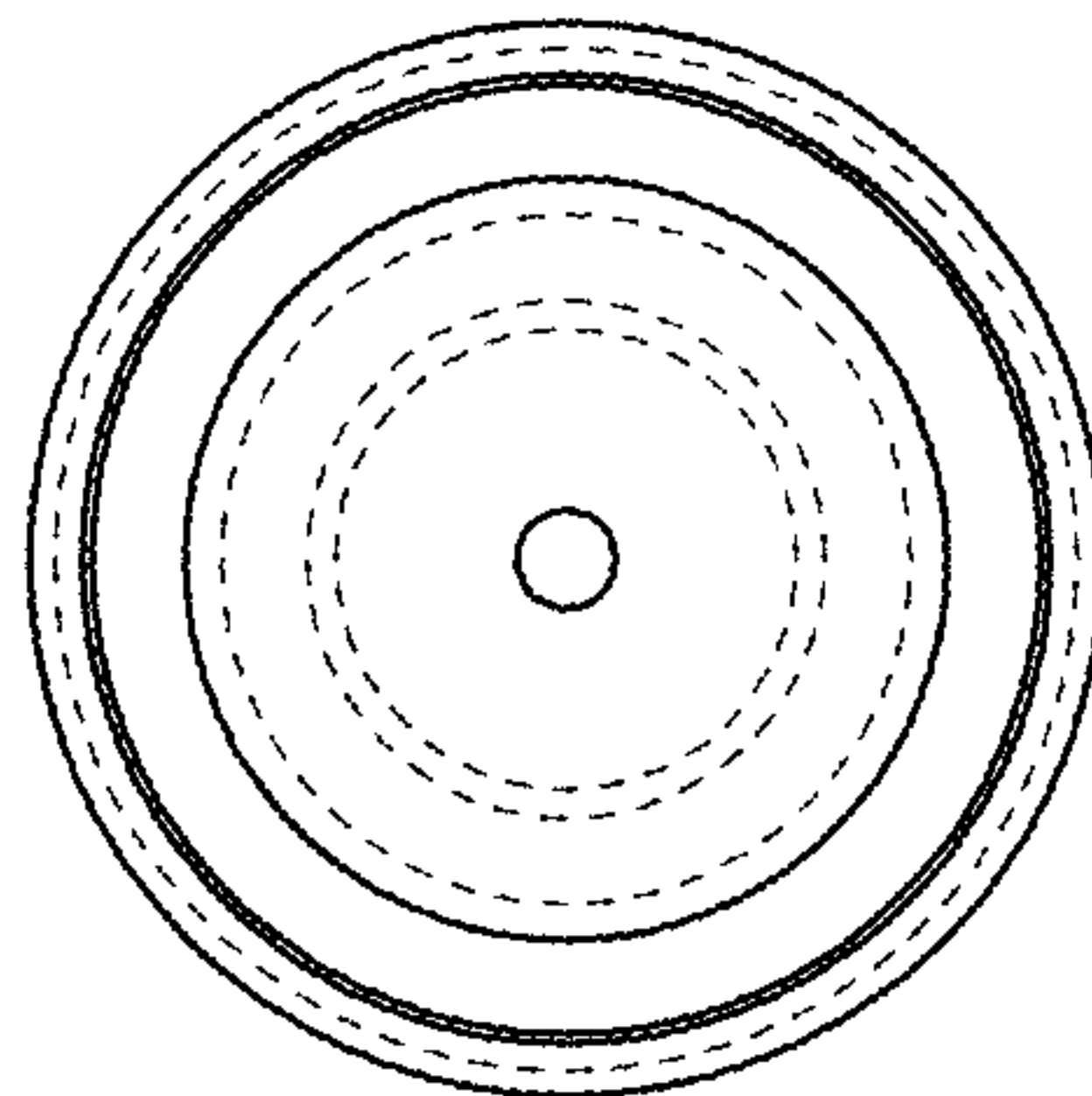


FIG. 6

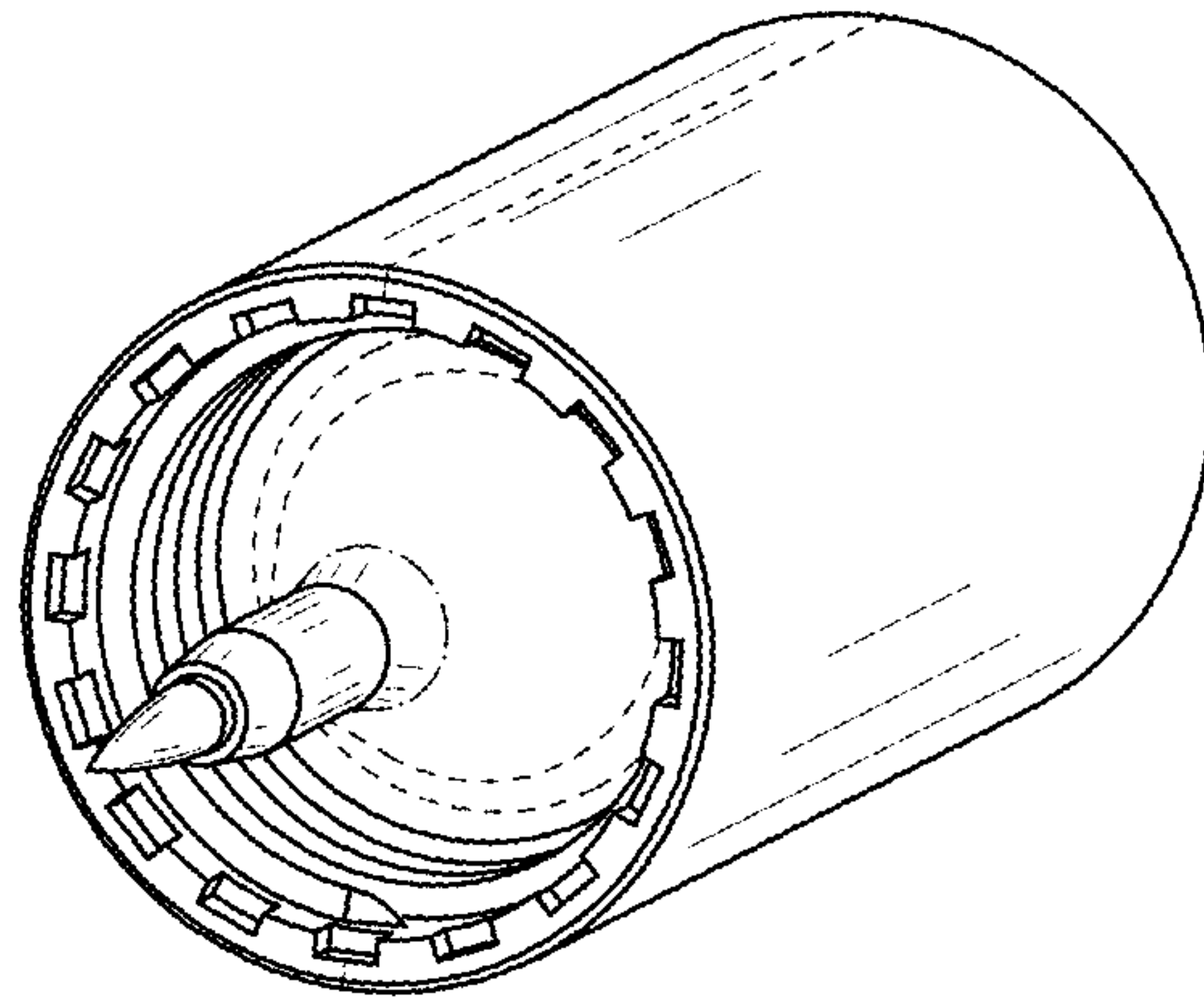


FIG. 7

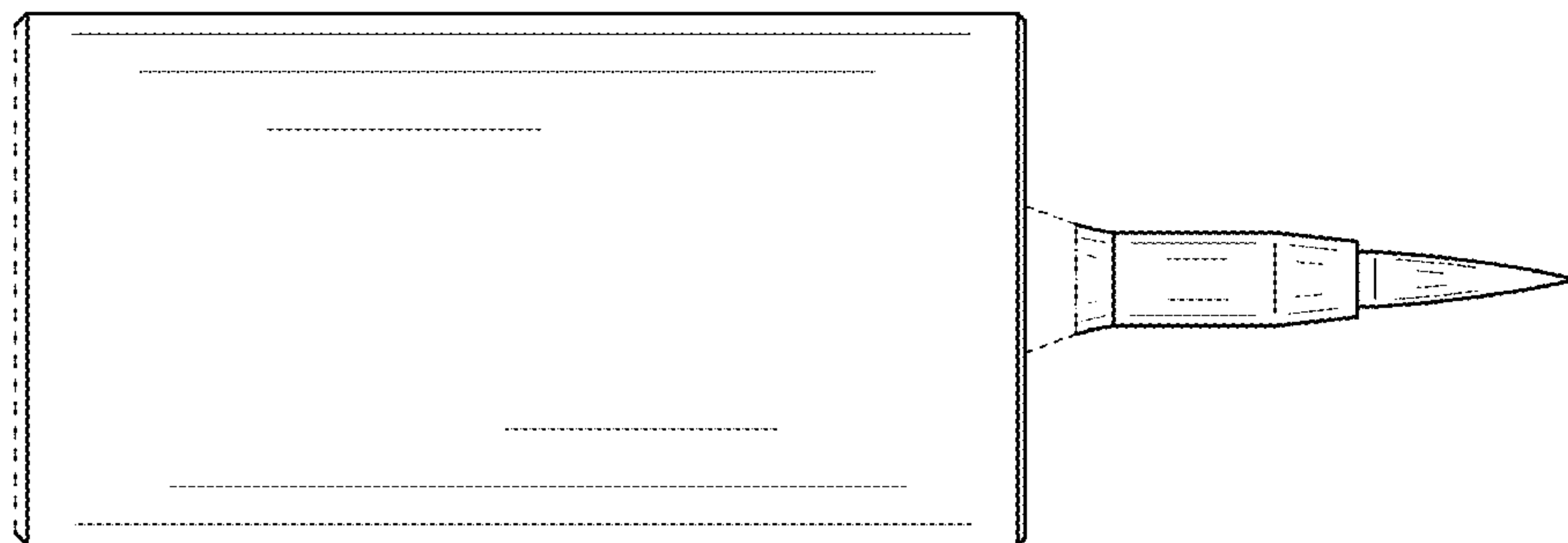


FIG. 8

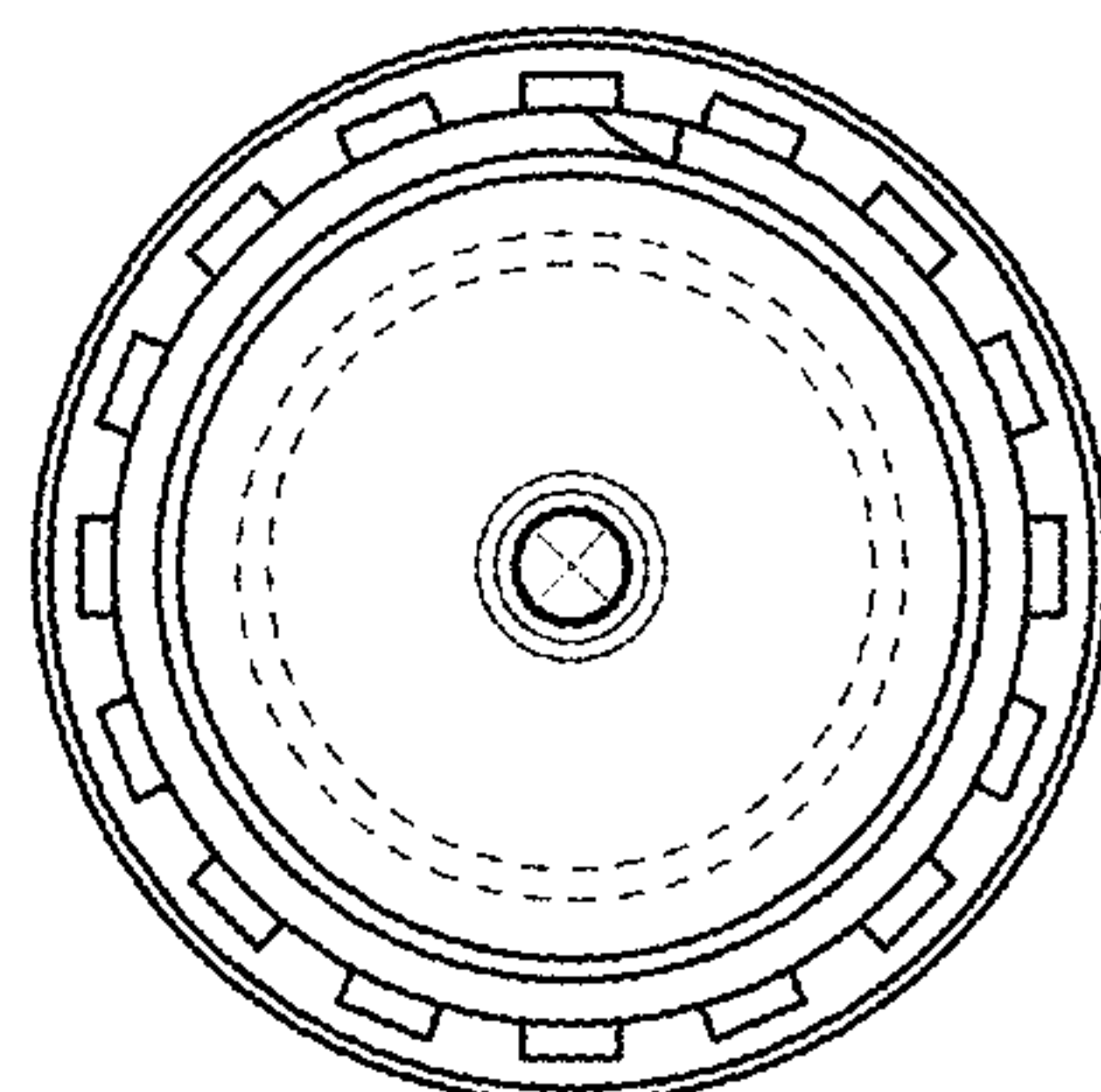


FIG. 9

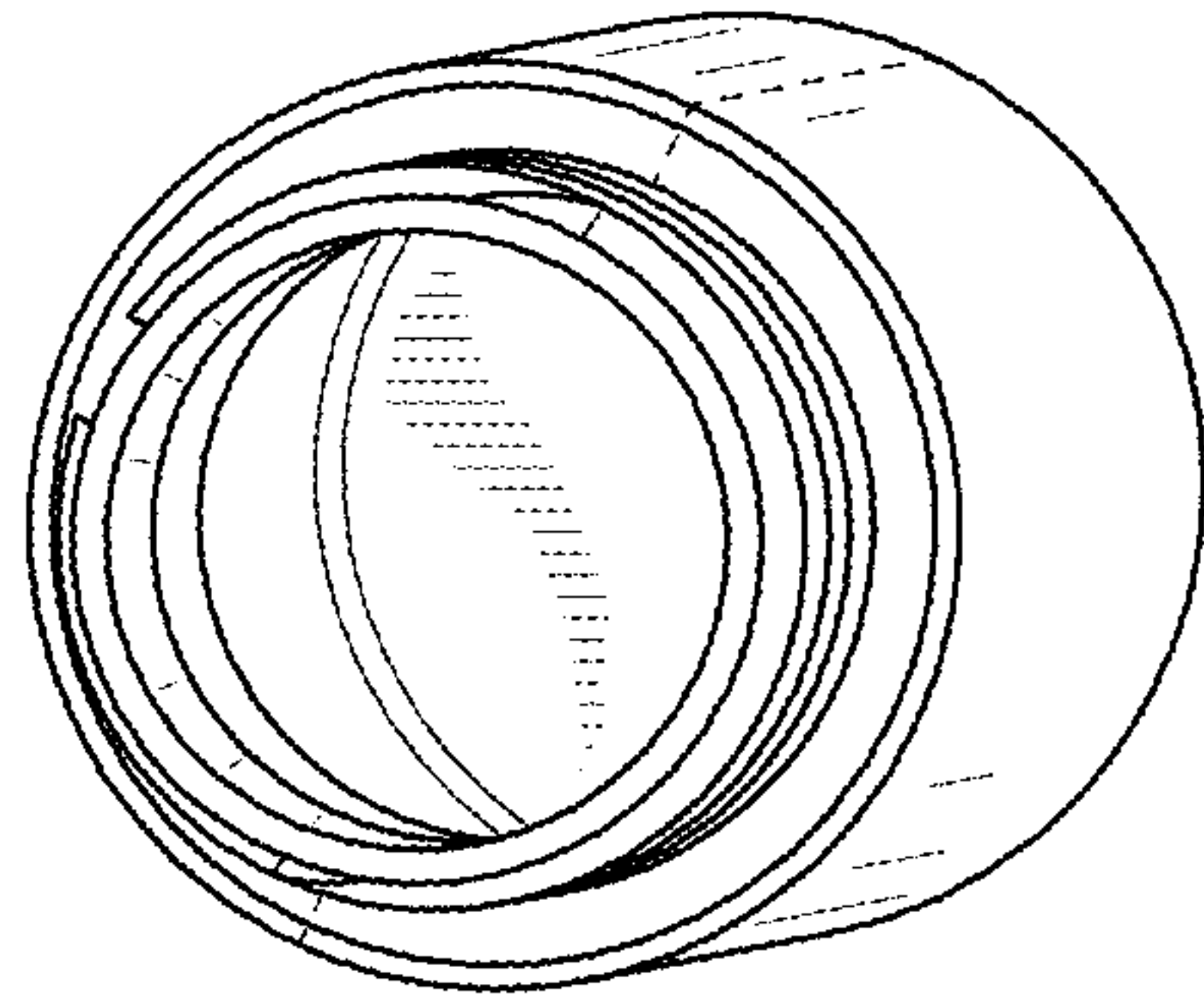


FIG. 10

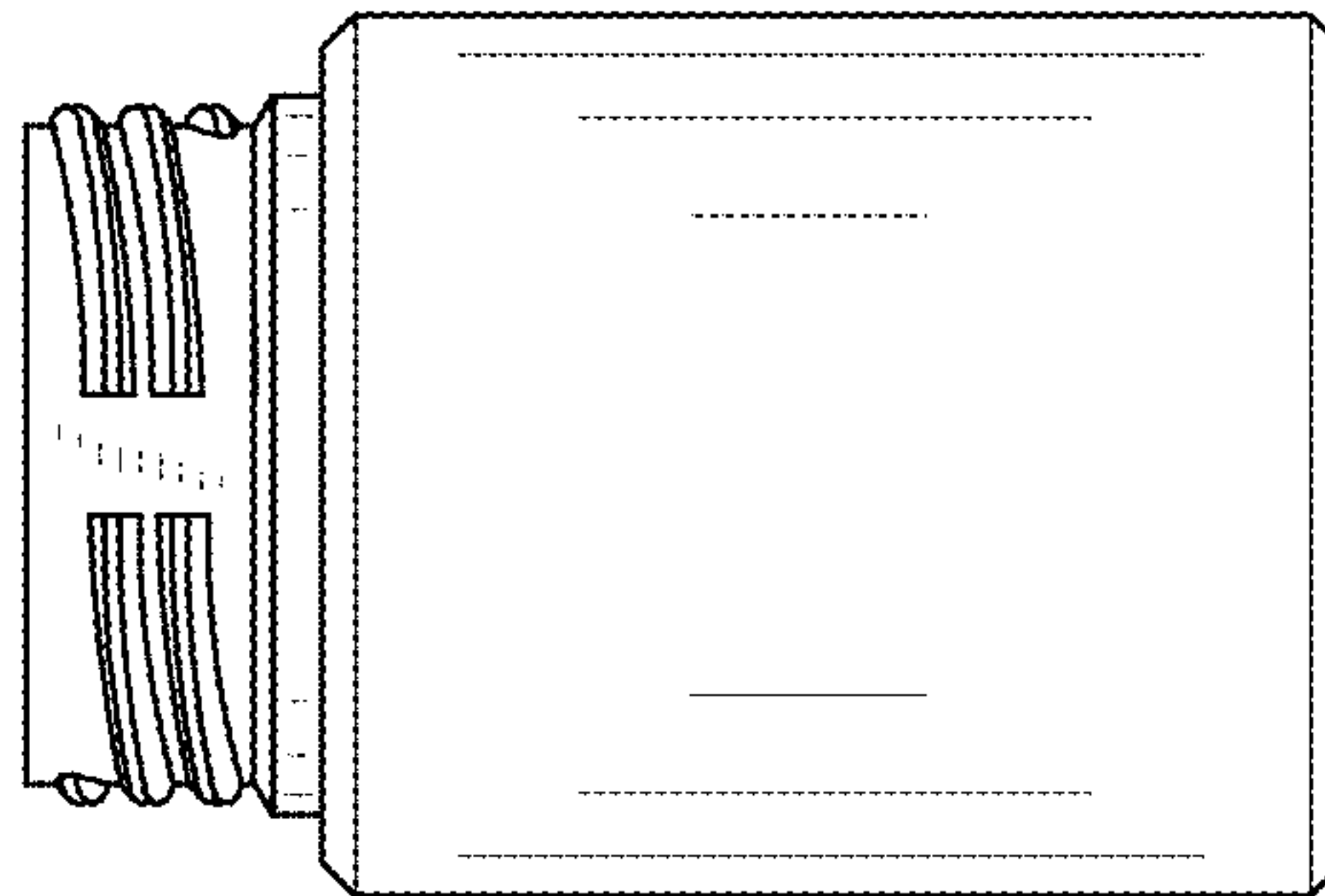


FIG. 11

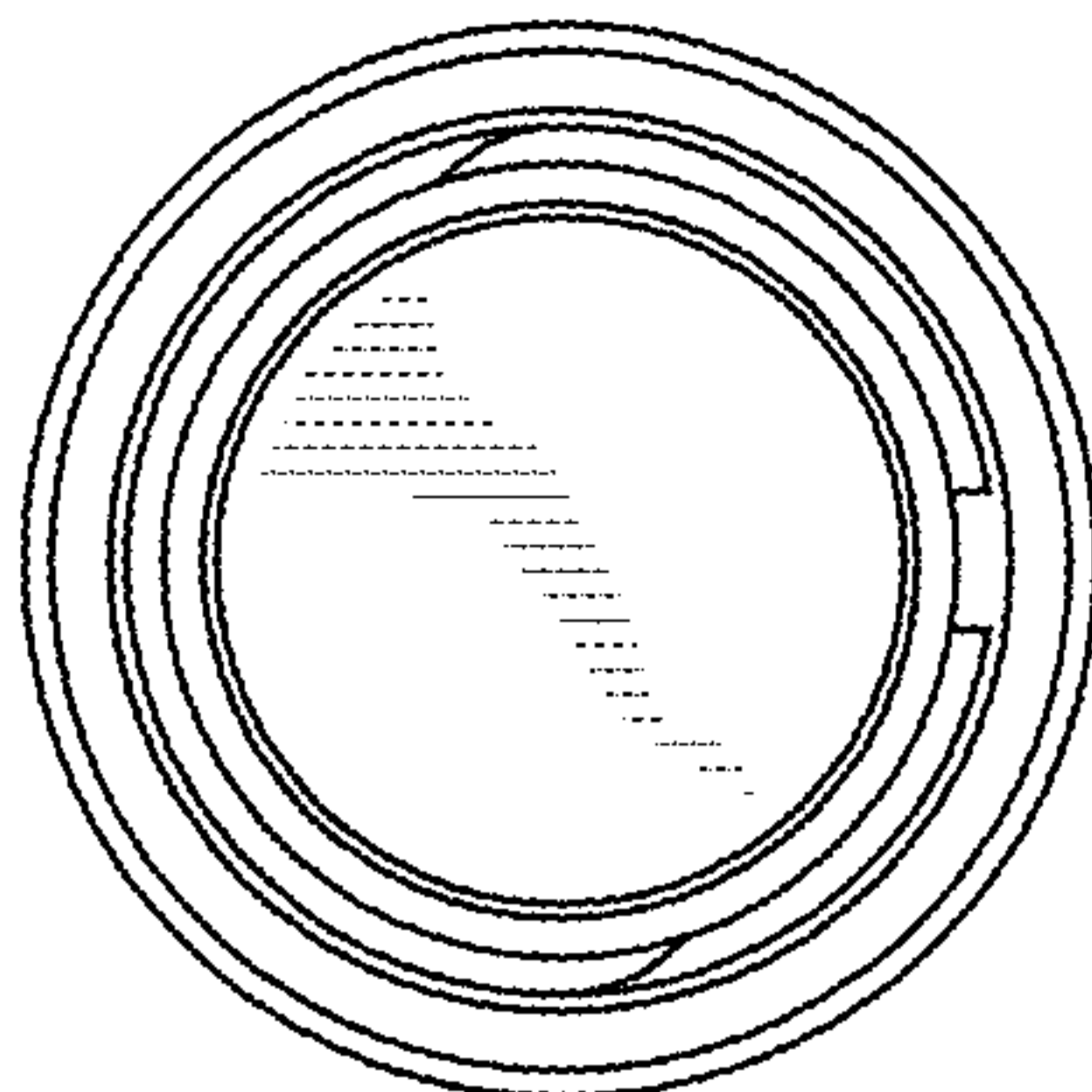


FIG. 12

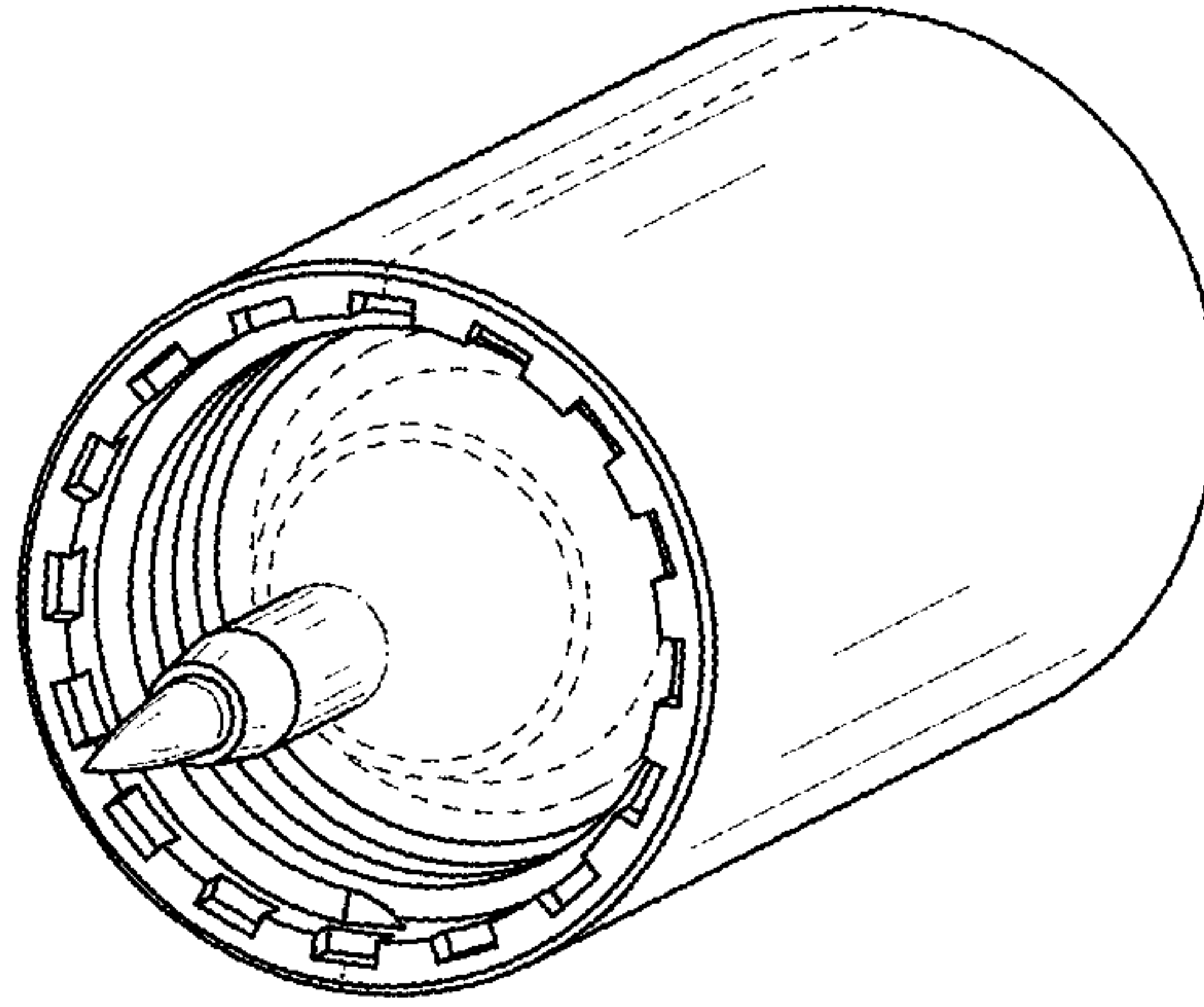


FIG. 13

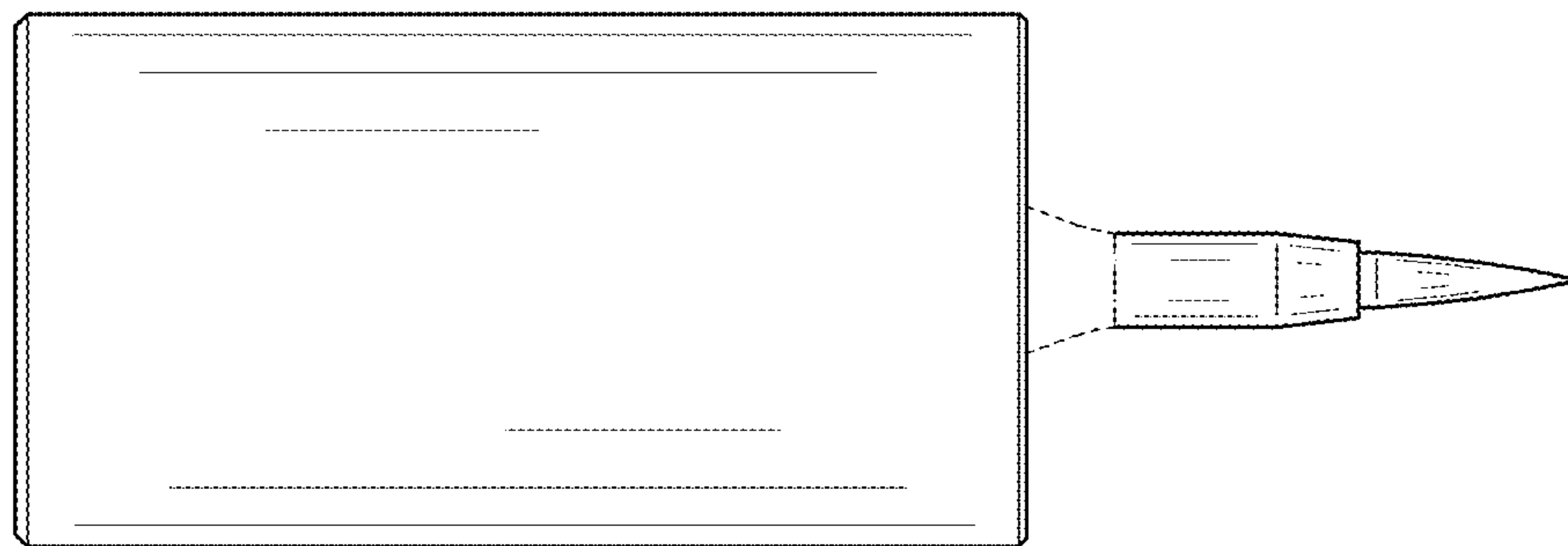


FIG. 14

