



US00D786497S

(12) **United States Design Patent** (10) **Patent No.:** **US D786,497 S**
Sudlow et al. (45) **Date of Patent:** **** May 9, 2017**

(54) **INHALATOR**
(71) Applicant: **Nerudia Limited**
(72) Inventors: **Thomas Sudlow**, Manchester (GB);
Kenneth Scott, Manchester (GB)
(73) Assignee: **Nerudia Limited**, Liverpool (GB)
(**) Term: **15 Years**
(21) Appl. No.: **29/541,264**
(22) Filed: **Oct. 1, 2015**
(51) **LOC (10) Cl.** **27-02**
(52) **U.S. Cl.**
USPC **D27/162**
(58) **Field of Classification Search**
USPC D27/100, 101, 162, 163-167, 169, 170,
D27/171, 193, 194; D23/202; D13/103
CPC A24F 47/008; A24F 47/002; A24F 15/12;
A24F 47/00
See application file for complete search history.

(56) **References Cited**
U.S. PATENT DOCUMENTS
D653,803 S * 2/2012 Timmermans D27/163
D693,053 S * 11/2013 Chen D27/101
D718,492 S * 11/2014 Albanese D27/101
D720,497 S * 12/2014 Alima D27/101
D720,881 S * 1/2015 Liu D27/101
D721,202 S * 1/2015 Liu D27/101
D724,263 S * 3/2015 Malhi D27/101
D724,780 S * 3/2015 Wu D27/101
D724,782 S * 3/2015 Wu D27/101
D725,310 S * 3/2015 Eksouzian D27/101
D727,566 S * 4/2015 Xiao D27/101
D728,155 S * 4/2015 Liu D27/101
D732,239 S * 6/2015 Chen D27/101
9,155,336 B2 * 10/2015 Liu A24F 47/002
D748,853 S * 2/2016 Seibel D27/101
D757,353 S * 5/2016 Nunnelly D27/101

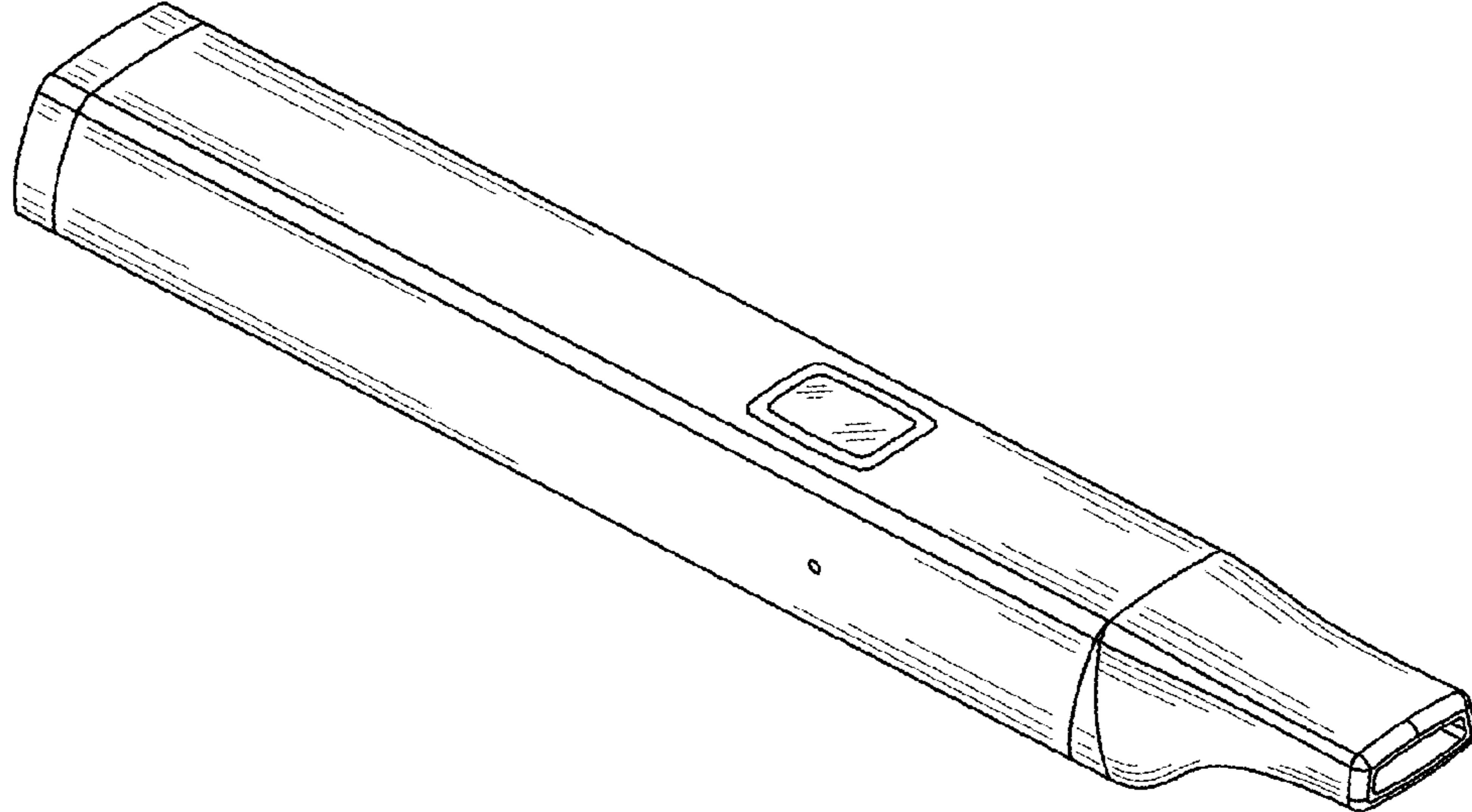
D759,303 S * 6/2016 Afridi D27/101
D760,948 S * 7/2016 Eksouzian D27/101
2009/0151717 A1 * 6/2009 Bowen A61M 11/041
128/200.23
2010/0031968 A1 * 2/2010 Sheikh A24F 47/008
131/347
2014/0041655 A1 * 2/2014 Barron A61M 11/042
128/202.21
2014/0123990 A1 * 5/2014 Timmermans 131/328
2015/0034104 A1 * 2/2015 Zhou A24F 47/008
131/329
2015/0114406 A1 * 4/2015 Newton A24F 47/002
131/329
2015/0335073 A1 * 11/2015 Li A24F 47/008
131/329

* cited by examiner
Primary Examiner — Robert M Spear
Assistant Examiner — Marissa J Cash
(74) *Attorney, Agent, or Firm* — McDonnell Boehnen
Hulbert & Berghoff

(57) **CLAIM**
The ornamental design for an inhalator, as shown and described.

DESCRIPTION
FIG. 1 is a first perspective view of a first embodiment of an inhalator of the present design;
FIG. 2 is a second perspective view of a first embodiment of the present design;
FIG. 3 is a right side view thereof;
FIG. 4 is a left side view thereof;
FIG. 5 is a top side view thereof;
FIG. 6 is a bottom side view thereof;
FIG. 7 is a front view thereof; and,
FIG. 8 is a rear view thereof.
The broken lines are for illustrative purposes only and form no part of the claimed design.

1 Claim, 4 Drawing Sheets



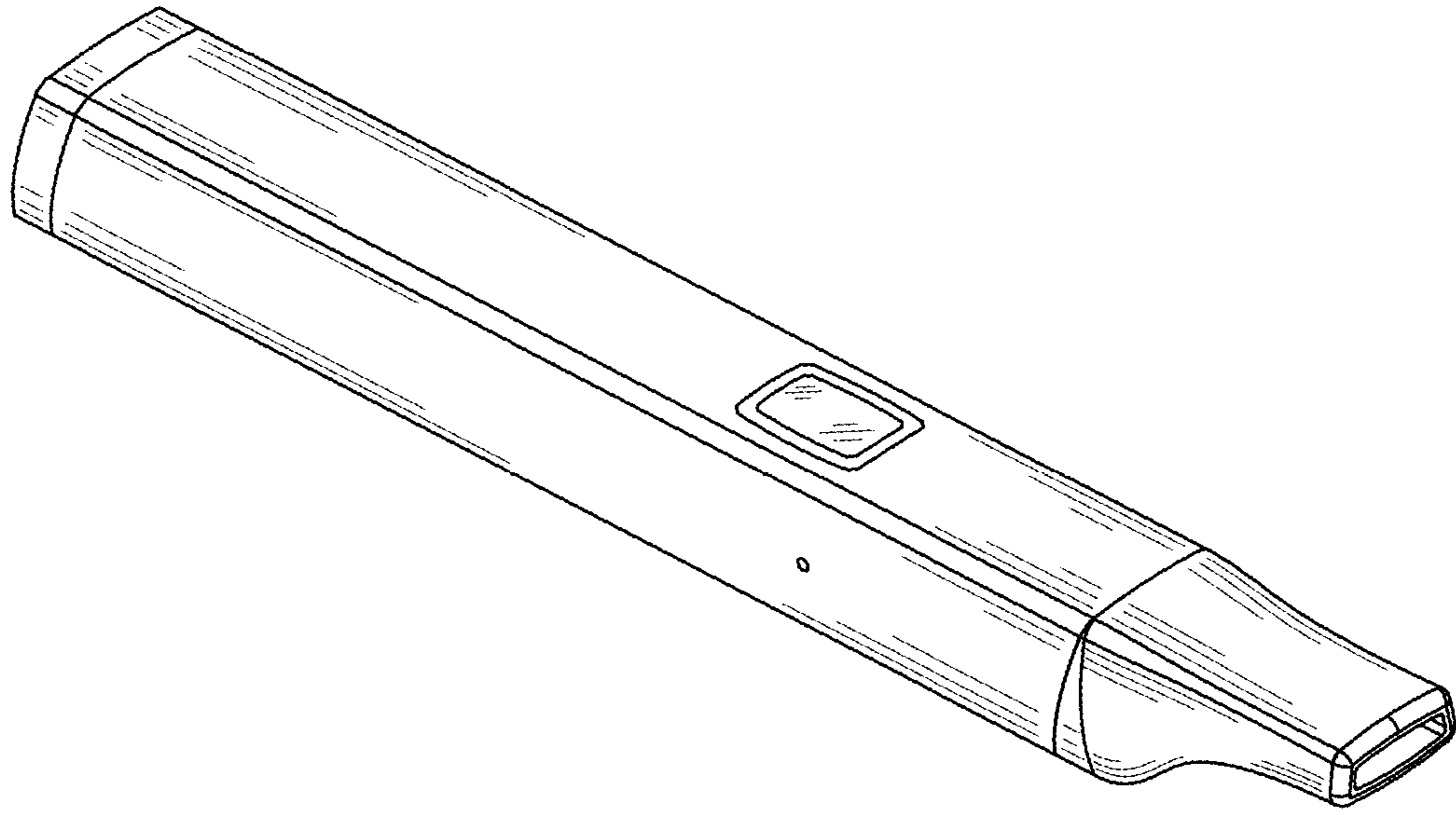


FIG. 1

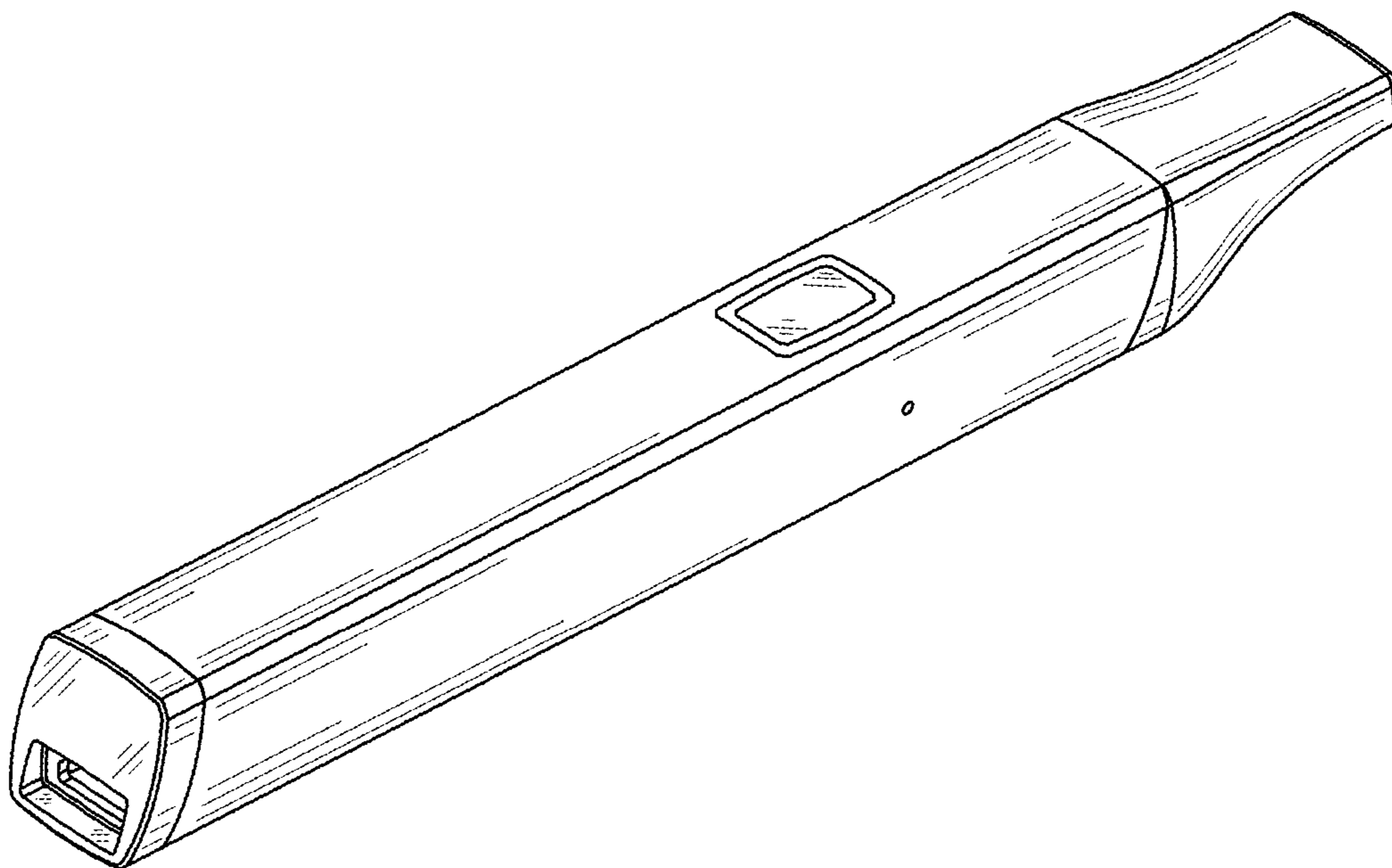


FIG. 2

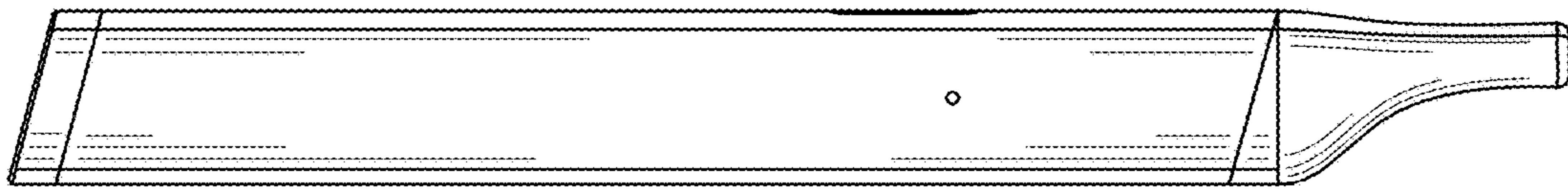


FIG. 3

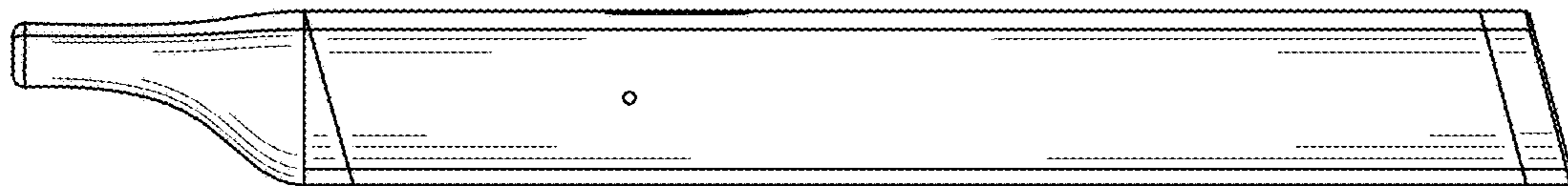


FIG. 4

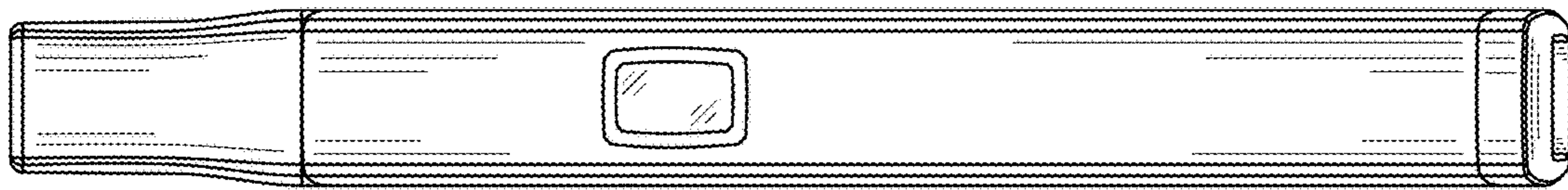


FIG. 5

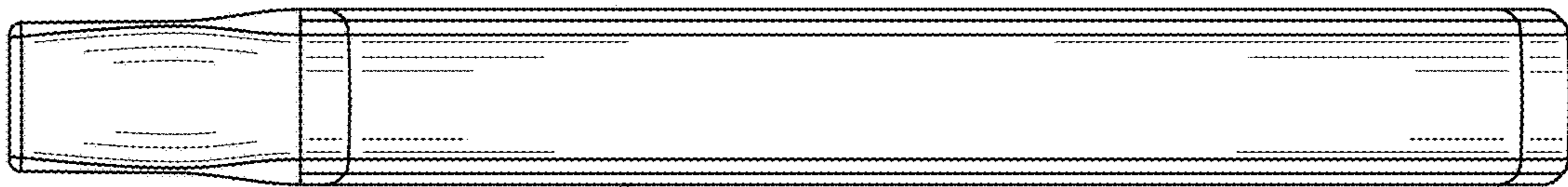


FIG. 6

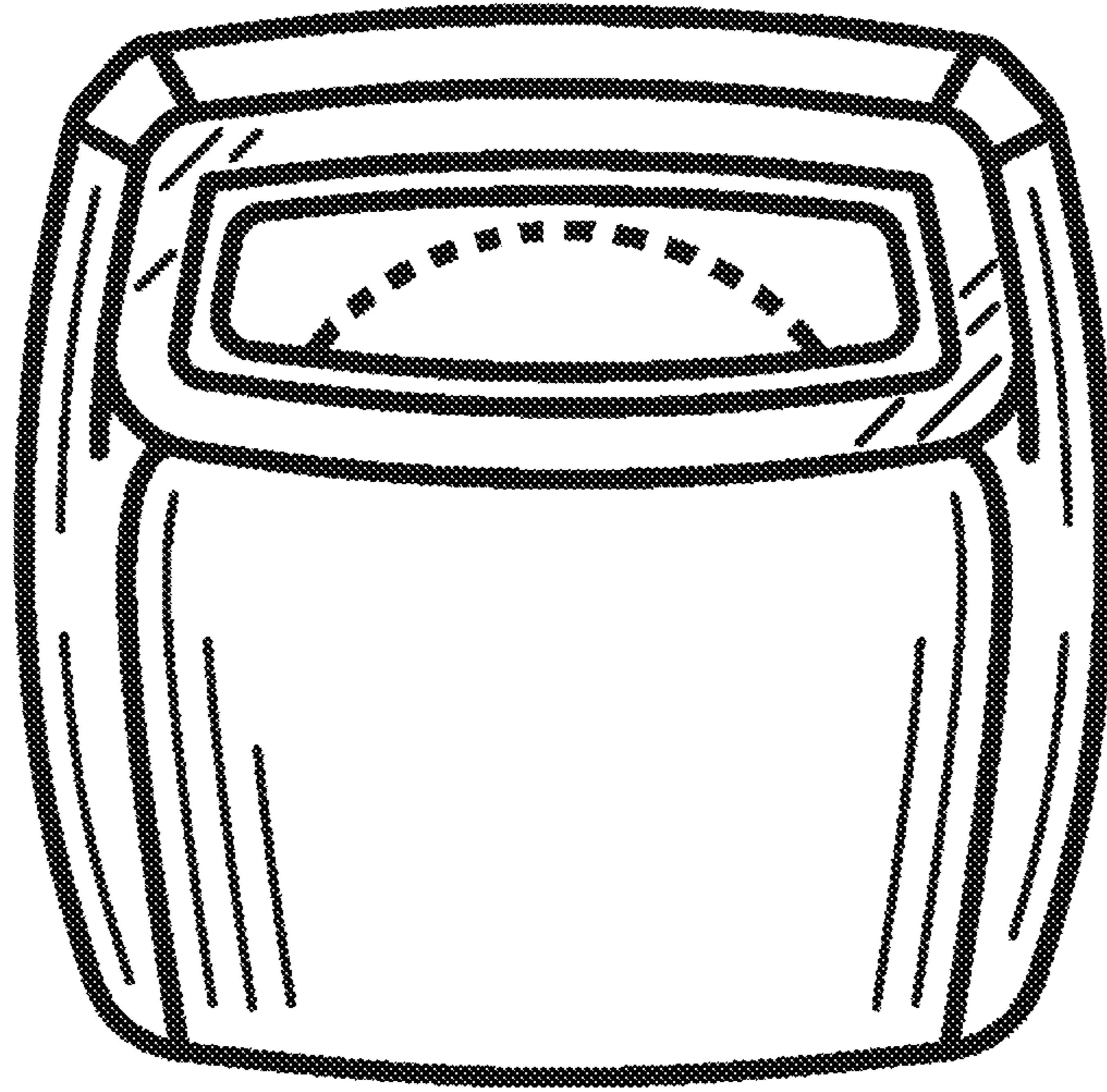


FIG. 7

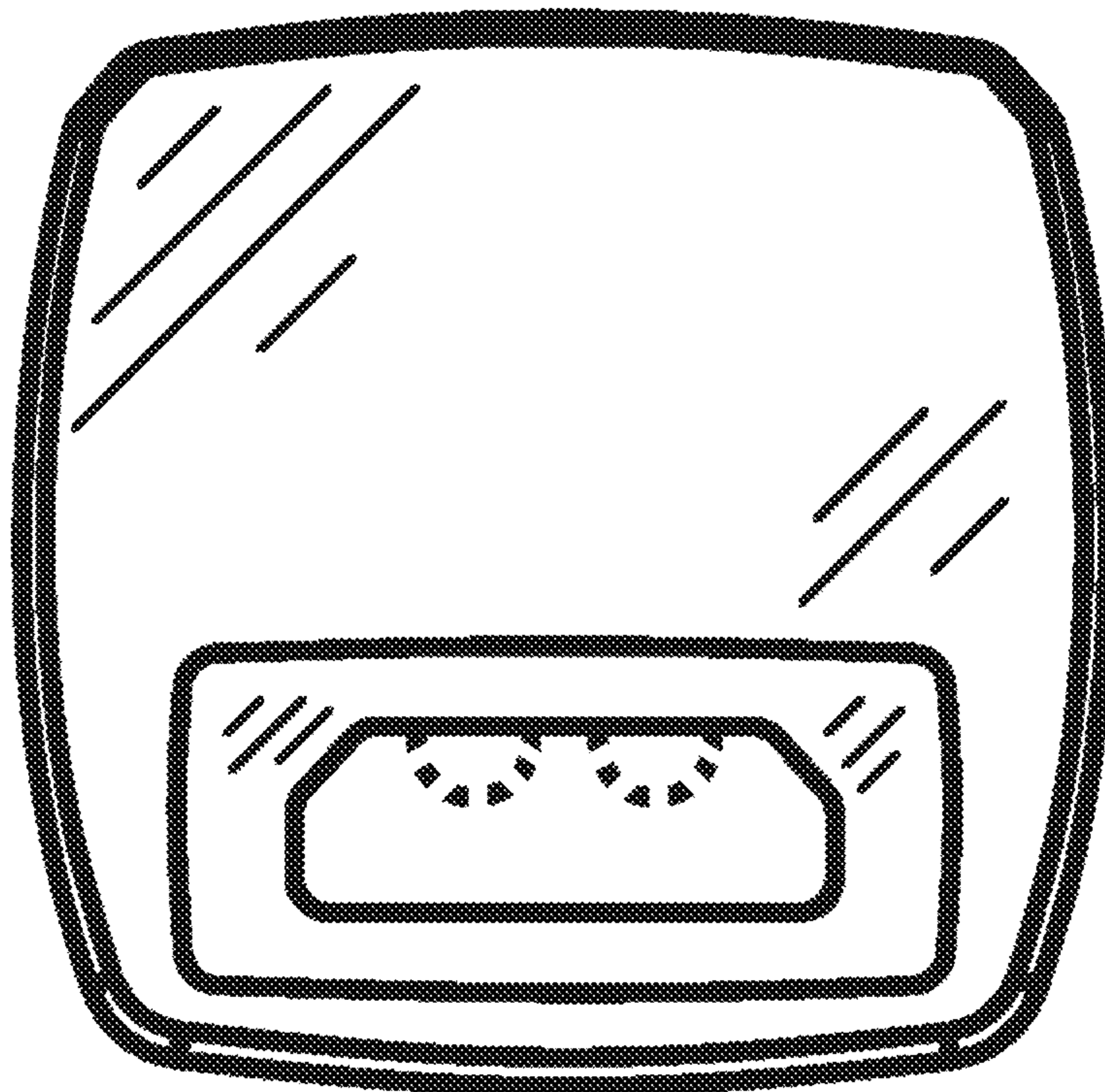


FIG. 8