



US00D786493S

(12) **United States Design Patent**
Hughes et al.

(10) **Patent No.:** **US D786,493 S**

(45) **Date of Patent:** **** May 9, 2017**

(54) **STRING LIGHT**

(71) Applicant: **ERICSON MANUFACTURING CO.,**
Willoughby, OH (US)

(72) Inventors: **Ronald W. Hughes,** Thompson, OH
(US); **Jeffrey R. Angle,** Newbury, OH
(US); **John Ericson, III,** Willoughby,
OH (US)

(73) Assignee: **Ericson Manufacturing Co.,**
Willoughby, OH (US)

(**) Term: **15 Years**

(21) Appl. No.: **29/553,124**

(22) Filed: **Jan. 28, 2016**

(51) **LOC (10) Cl.** **26-99**

(52) **U.S. Cl.**
USPC **D26/138**

(58) **Field of Classification Search**

USPC D26/76, 78, 79, 80, 81, 82, 83, 85, 88,
D26/90, 93, 110, 113, 118, 119, 120, 121,
D26/122, 138, 140-142

CPC F21S 4/00; F21S 4/003; F21S 4/006; F21S
4/007; F21S 4/008; F21S 6/004; F21S
6/005; F21K 9/54; F21V 15/01; F21V
15/013

See application file for complete search history.

(56) **References Cited**

U.S. PATENT DOCUMENTS

2,606,278	A	8/1952	Smith	
D280,025	S *	8/1985	Waters	D26/24
D381,734	S *	7/1997	Murphy	D22/134
D394,123	S *	5/1998	Yuen	D26/44
6,120,163	A	9/2000	Graber et al.	
6,283,612	B1	9/2001	Hunter	
D465,038	S *	10/2002	Bragg	D26/27
6,583,550	B2	6/2003	Iwasa	

D521,676	S *	5/2006	Richner	D26/78
7,160,140	B1	1/2007	Mrakovich	
7,165,863	B1	1/2007	Thomas et al.	
7,175,459	B2 *	2/2007	Milner	H01R 13/5213 439/271
D582,851	S *	12/2008	Lavy	D13/133
7,520,771	B2	4/2009	Nall et al.	
D595,444	S *	6/2009	Shimomura	D26/78
D601,090	S *	9/2009	Vigorito	D13/133
D603,078	S *	10/2009	Noh	D26/76

(Continued)

Primary Examiner — George D Kirschbaum

Assistant Examiner — Natasha Vujcic

(74) *Attorney, Agent, or Firm* — Calfee, Halter &
Griswold LLP

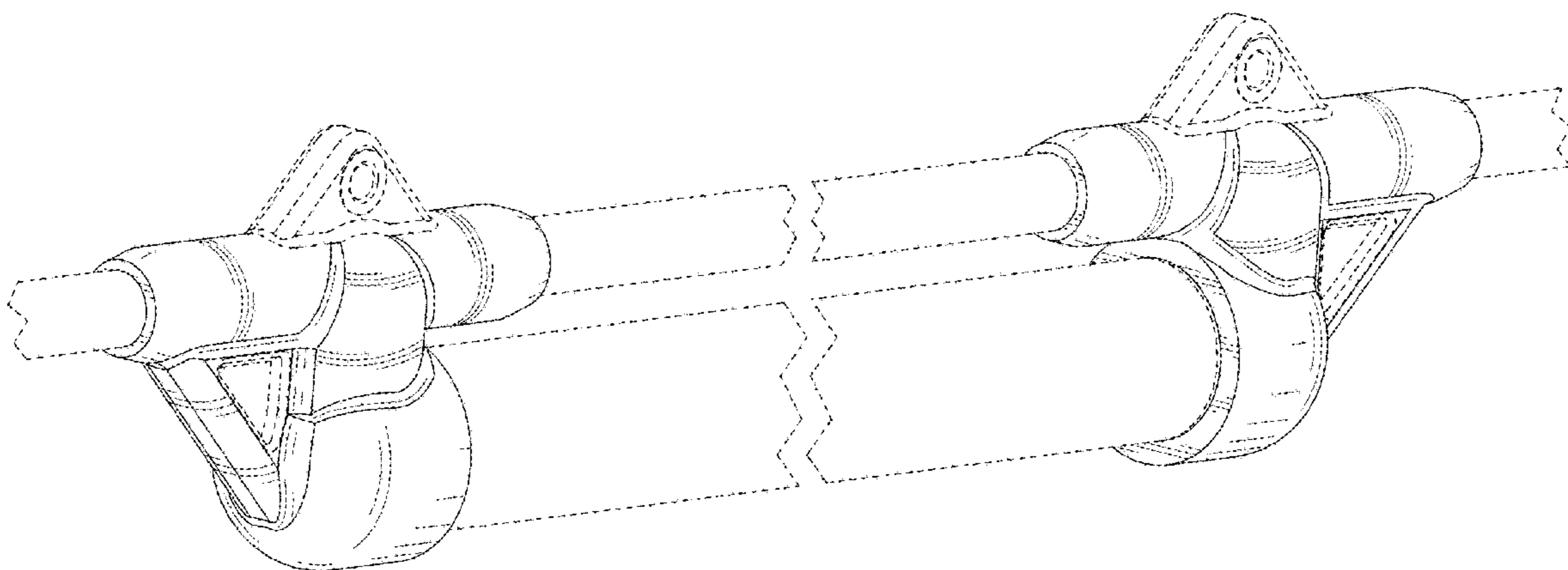
(57) **CLAIM**

We claim the ornamental design for a string light, as shown and described.

DESCRIPTION

FIG. 1 is a front perspective view of a string light of the new design, wherein the string light is shown with two covers; FIG. 2 is a top view of the string light of FIG. 1; FIG. 3 is a bottom view of the string light of FIG. 1; FIG. 4 is a front view of the string light of FIG. 1; FIG. 5 is a rear view of the string light of FIG. 1; FIG. 6 is a left side view of the string light of FIG. 1; FIG. 7 is a right side view of the string light of FIG. 1; FIG. 8 is an enlarged, front perspective view of a single cover for the string light shown in FIG. 1; FIG. 9 is a top view of the cover of FIG. 8; FIG. 10 is a bottom view of the single cover of FIG. 8; FIG. 11 is a front view of the cover of FIG. 8; FIG. 12 is a rear view of the cover of FIG. 8; FIG. 13 is a left side view of the cover of FIG. 8; and, FIG. 14 is a right side view of the cover of FIG. 8. The broken lines in the drawings illustrate portions of the string light which forms no part of the claimed design.

1 Claim, 8 Drawing Sheets



(56)

References Cited

U.S. PATENT DOCUMENTS

D675,117	S *	1/2013	Diefenderfer	D10/69
8,376,576	B2	2/2013	Sloan et al.	
8,474,129	B2	7/2013	Blocher et al.	
D696,812	S *	12/2013	Peng	D26/76
8,632,207	B2	1/2014	Bowen	
2008/0084702	A1	4/2008	Cheung	
2010/0302773	A1	12/2010	Kokoski et al.	
2012/0032587	A1	2/2012	Shih	
2012/0188756	A1	7/2012	Kokoski et al.	
2012/0236554	A1	9/2012	Rust	
2013/0039067	A1	2/2013	Wong	
2013/0249394	A1	9/2013	Fay	
2014/0036505	A1	2/2014	Barton	
2014/0197748	A1	7/2014	Pan et al.	
2015/0008832	A1	1/2015	Chou	

* cited by examiner

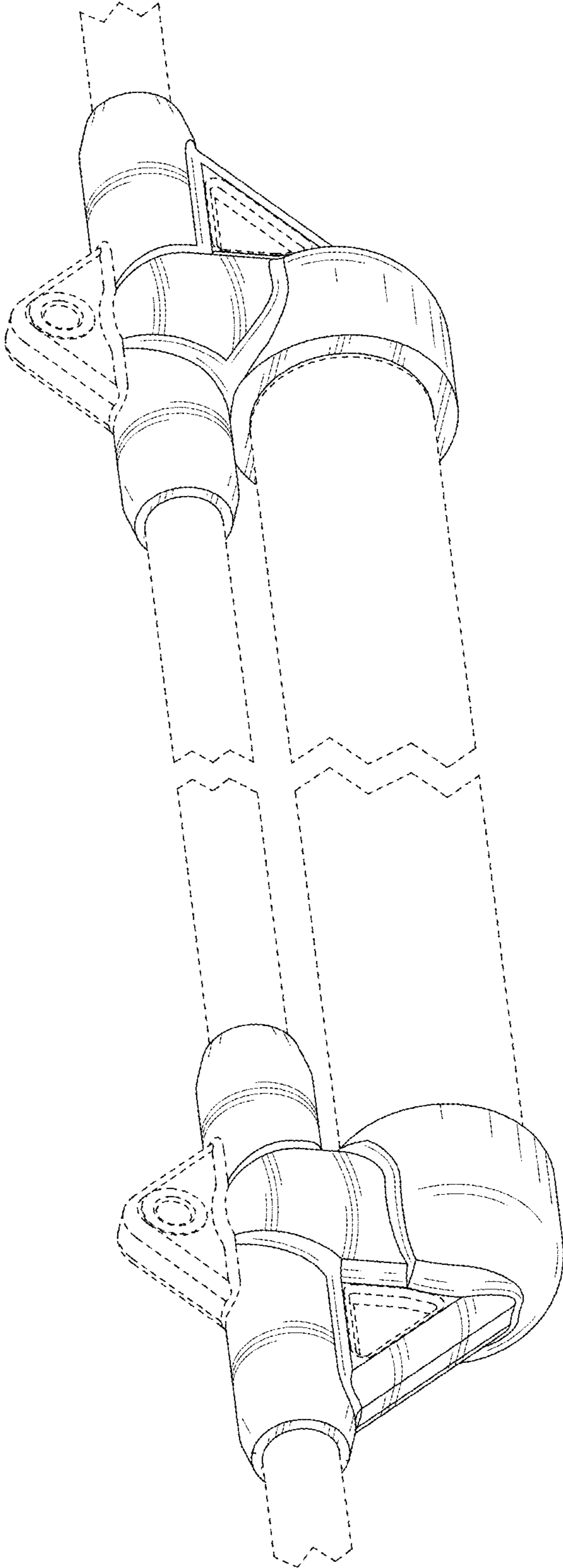


FIG. 1

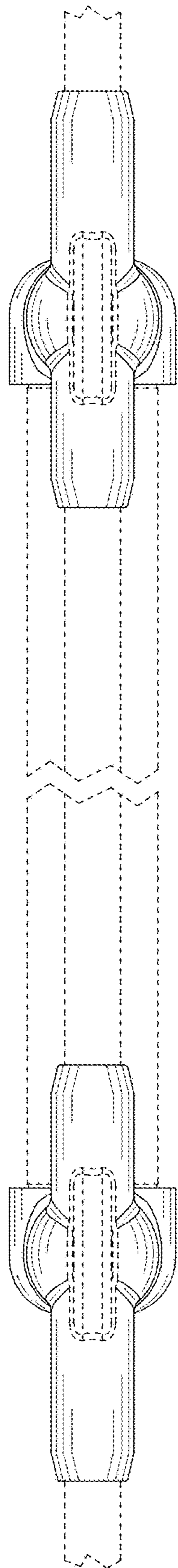


FIG. 2

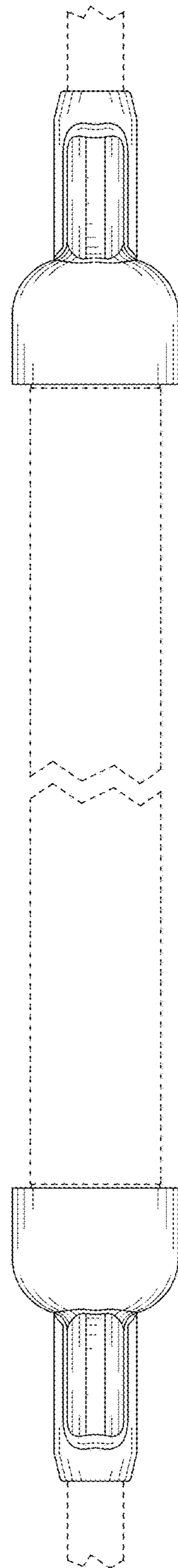


FIG. 3

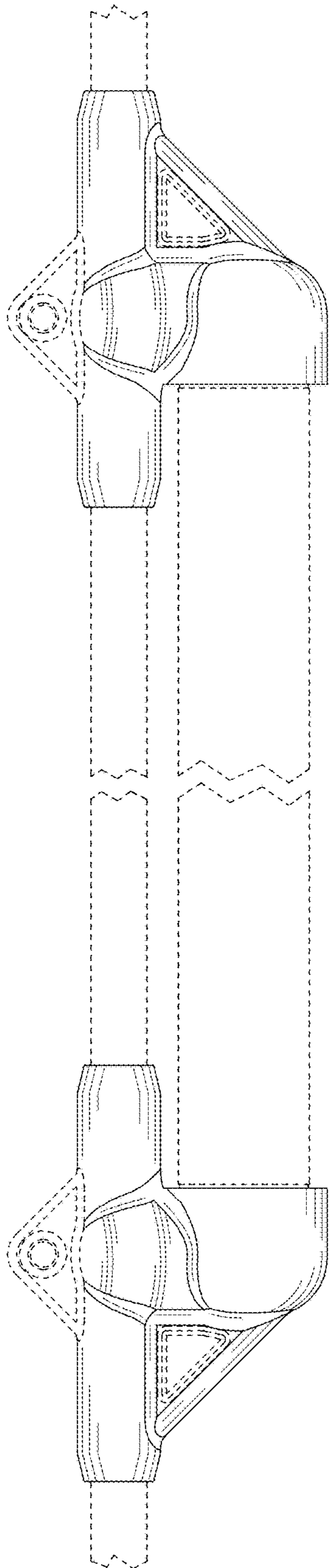


FIG. 4

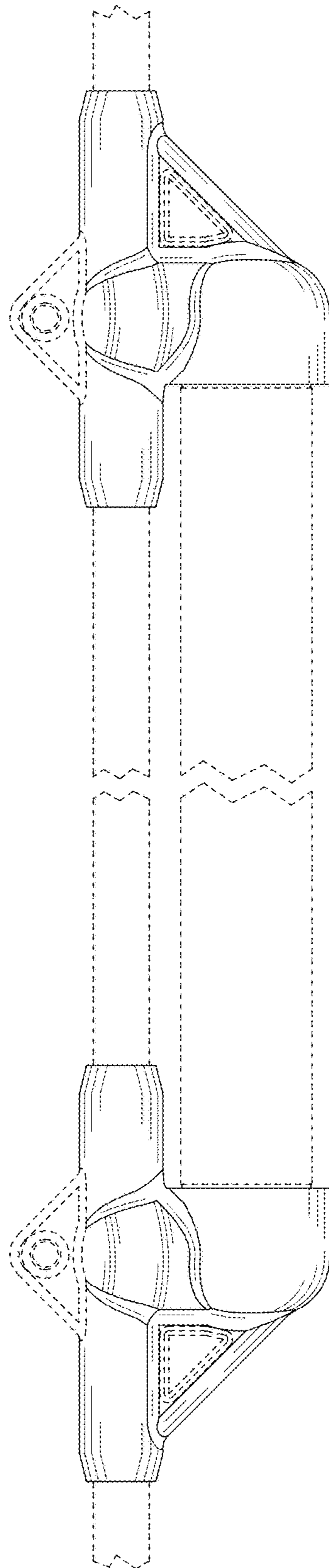


FIG. 5

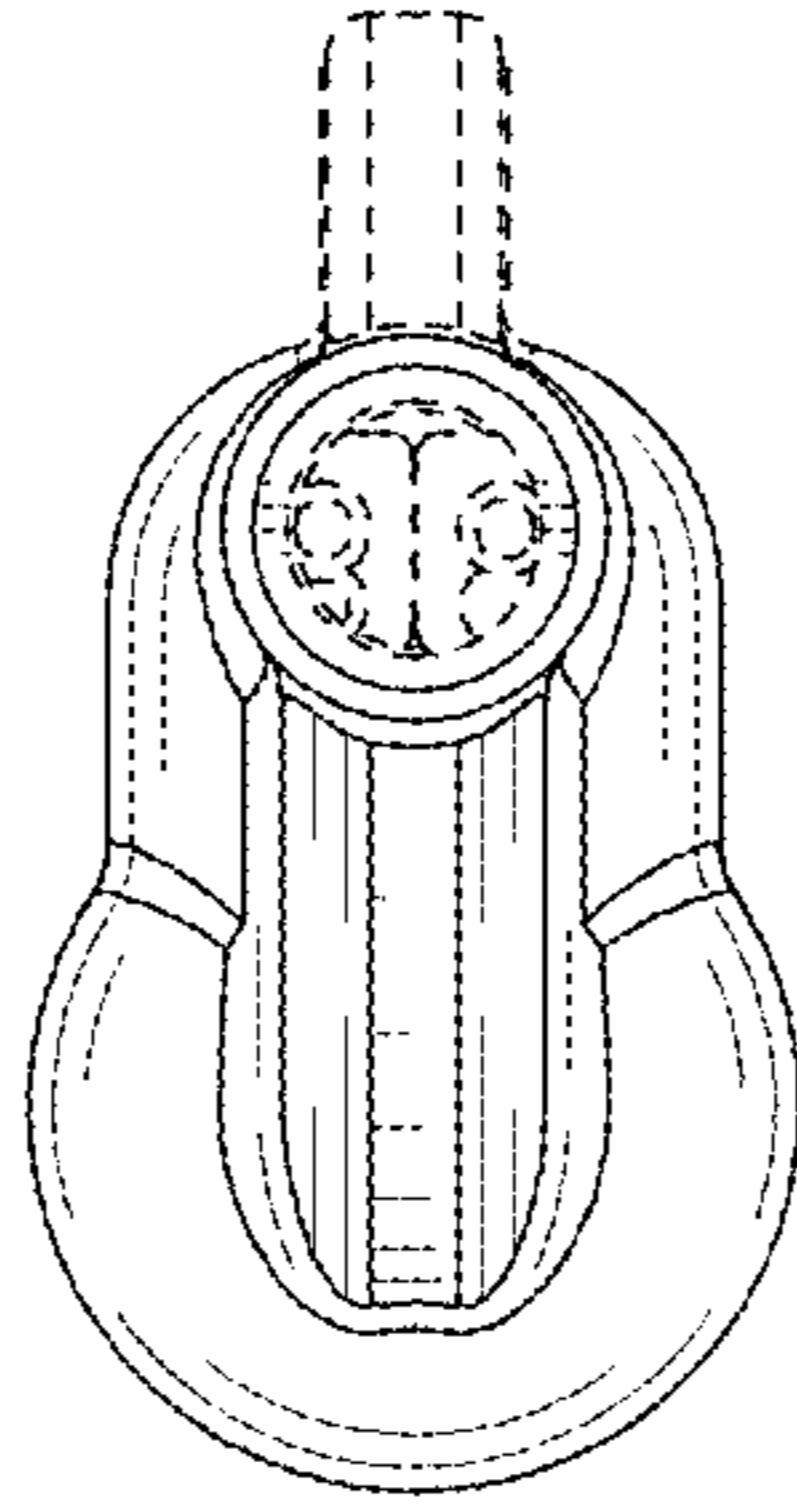


FIG. 6

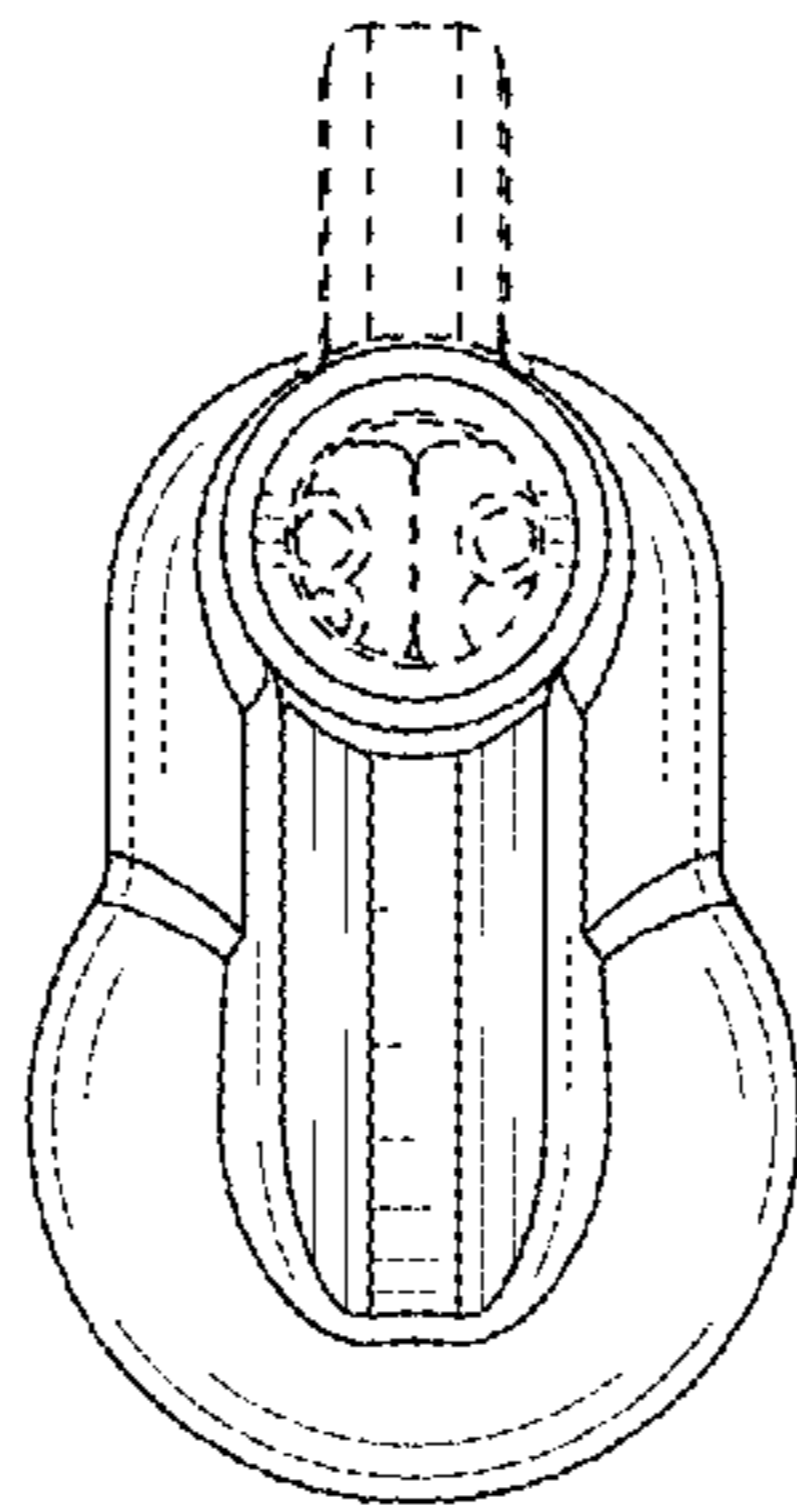


FIG. 7

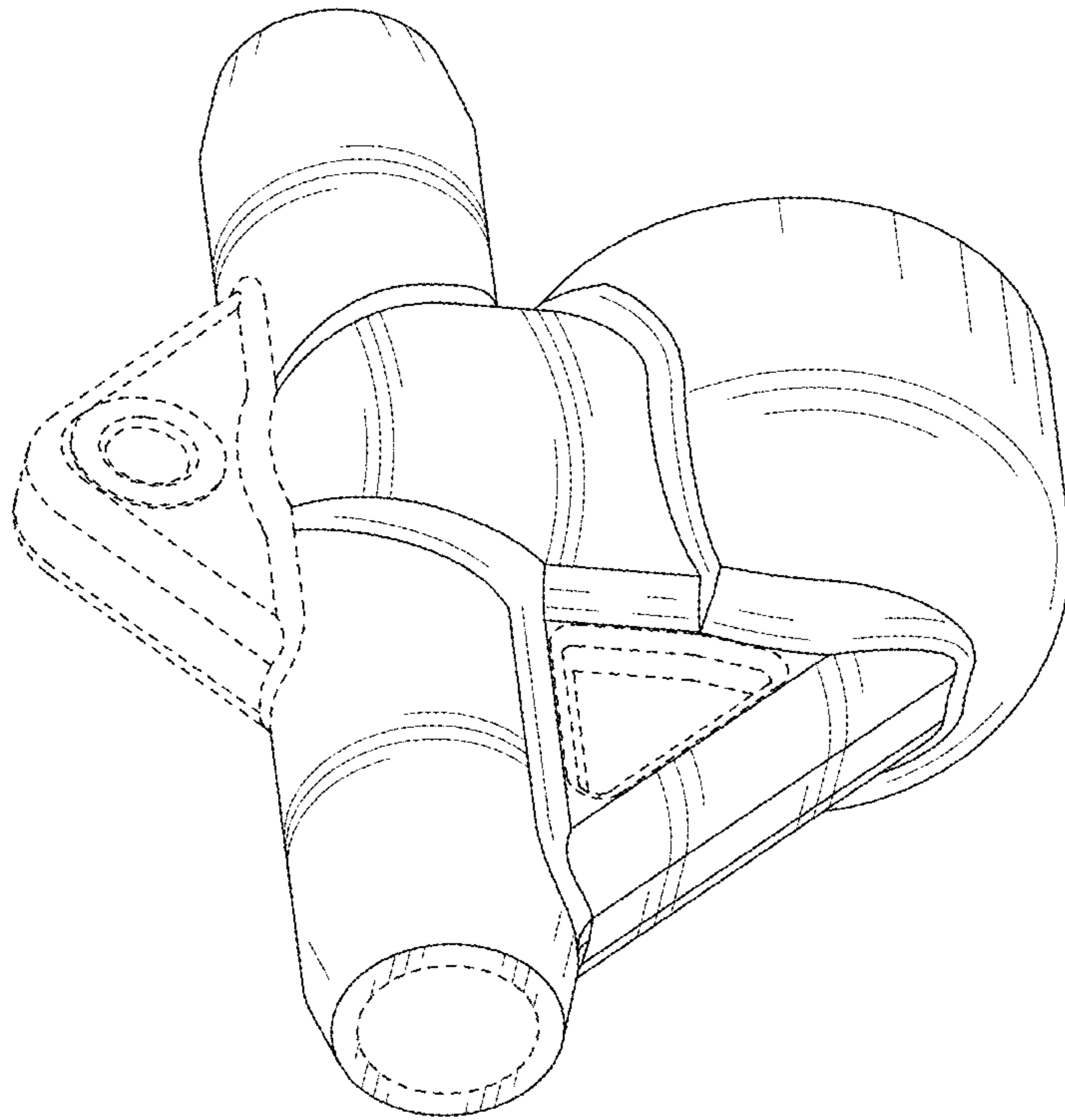


FIG. 8

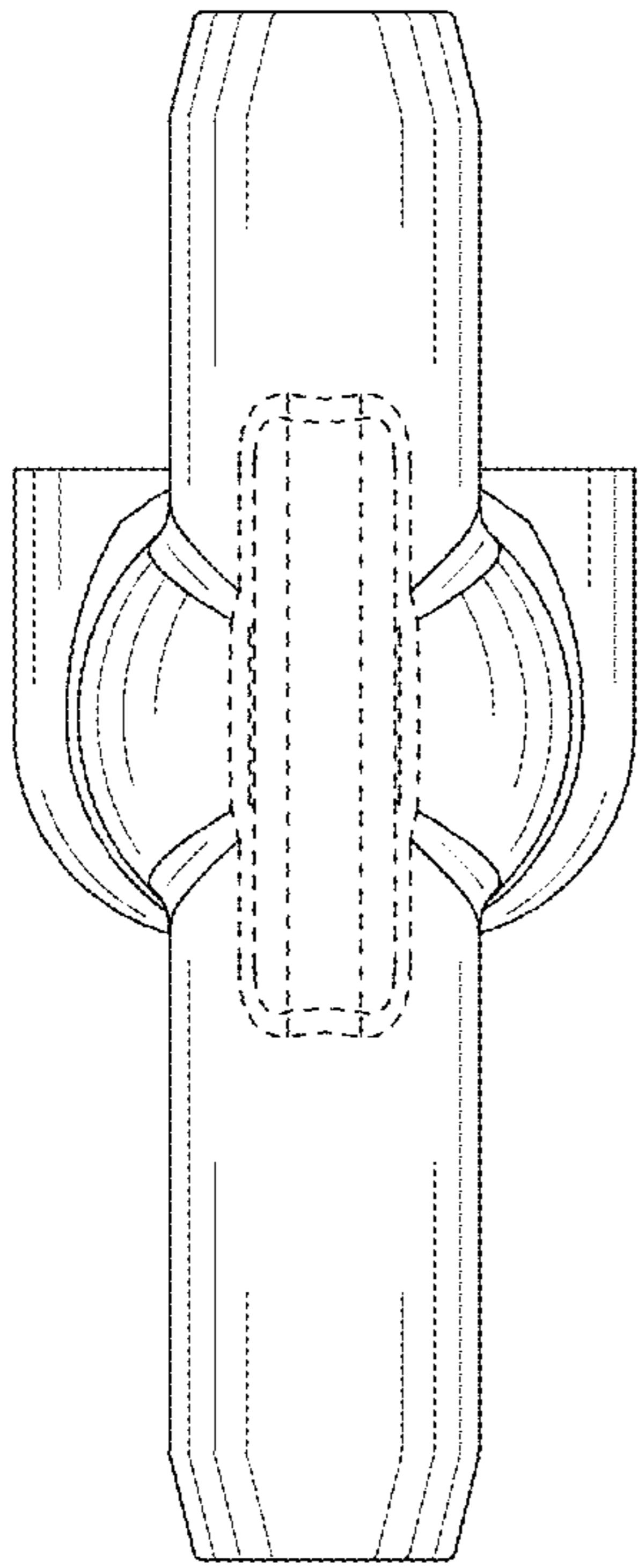


FIG. 9

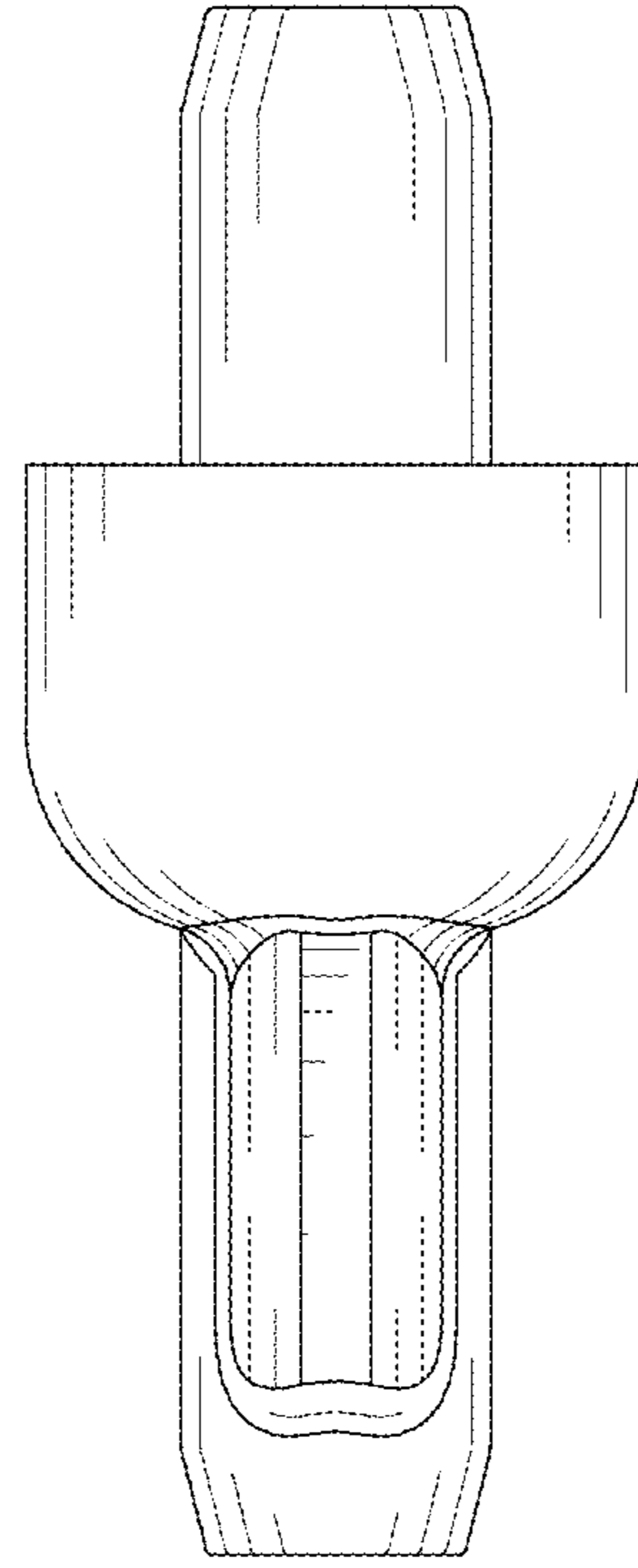


FIG. 10

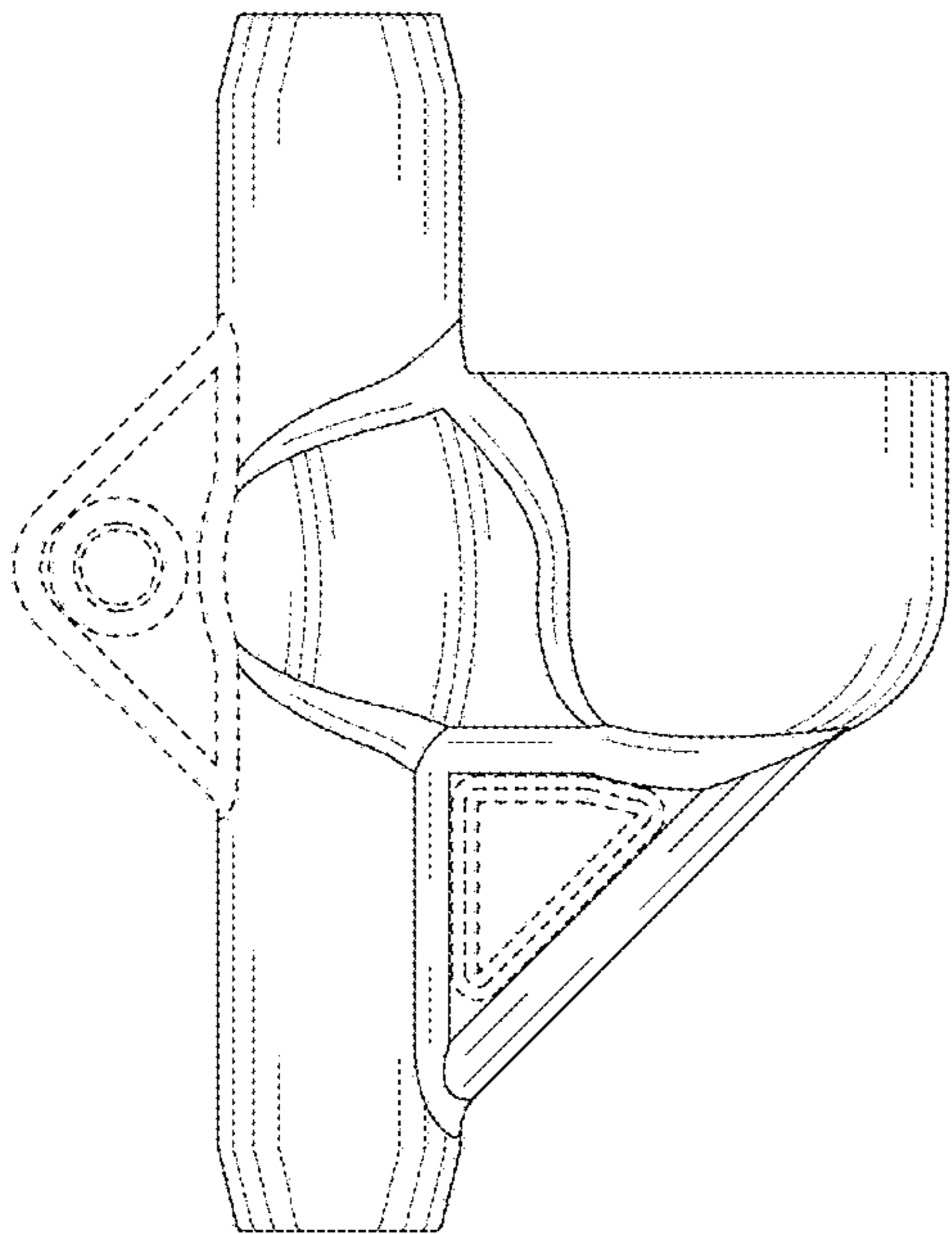


FIG. 11

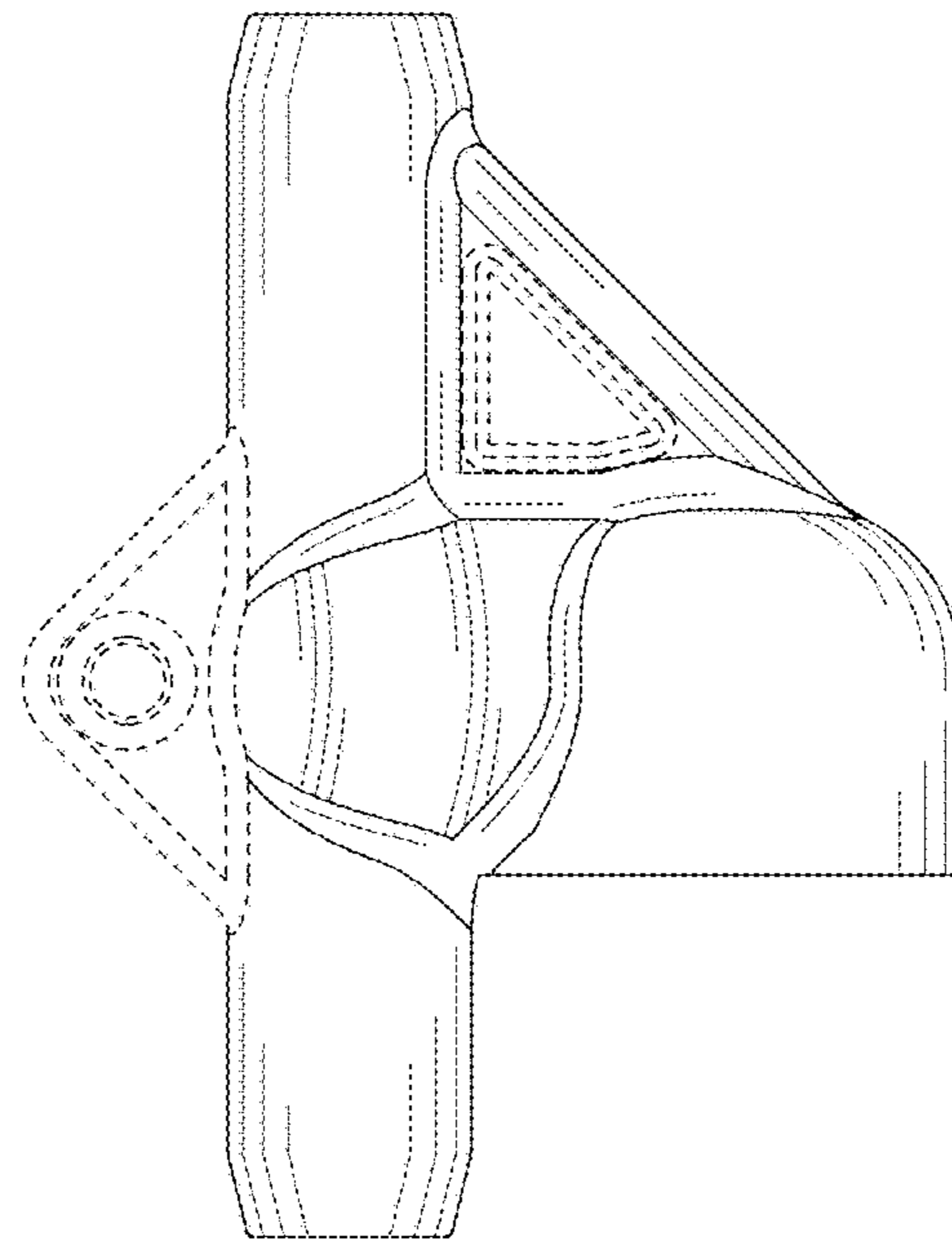


FIG. 12

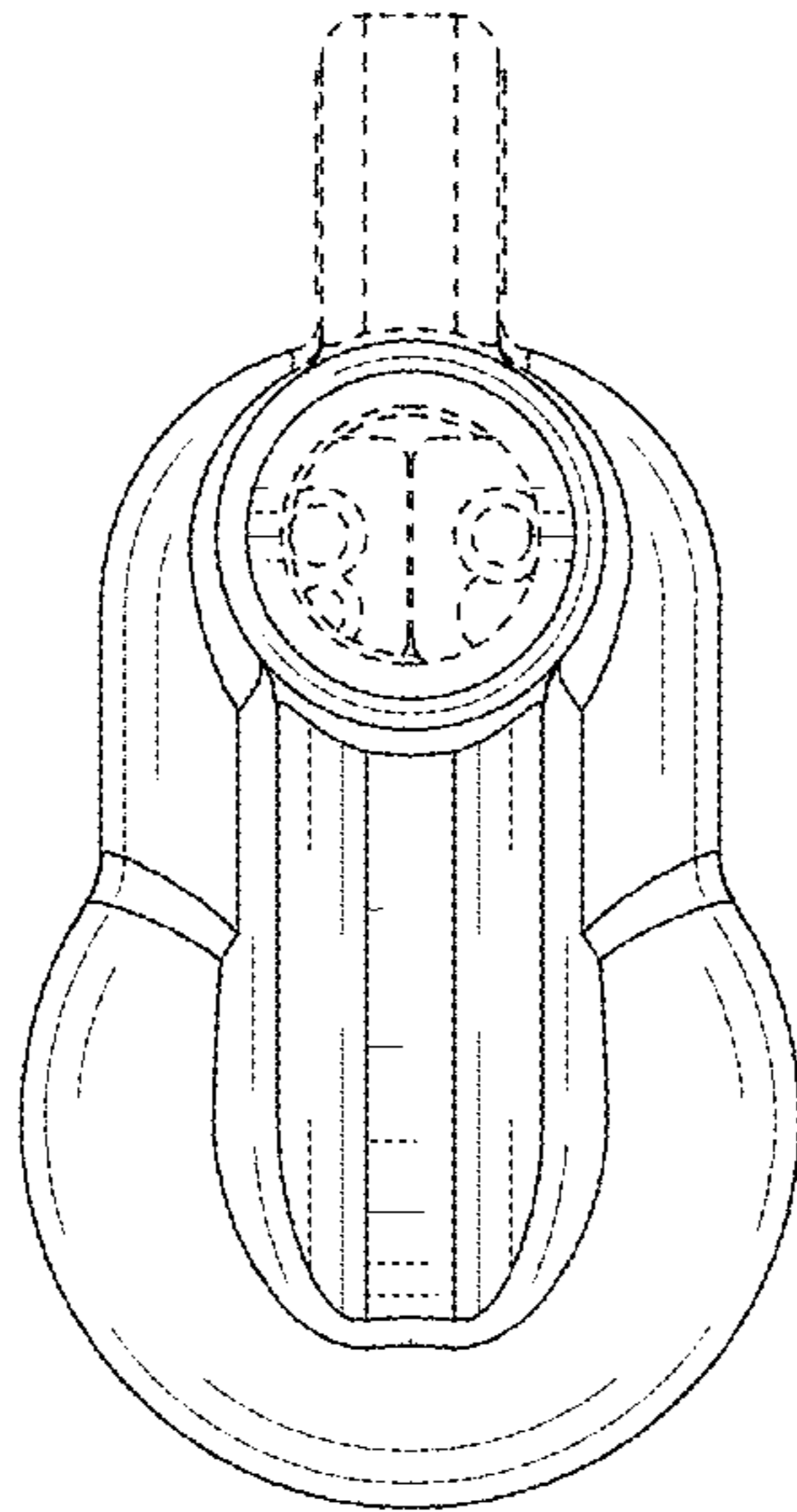


FIG. 13

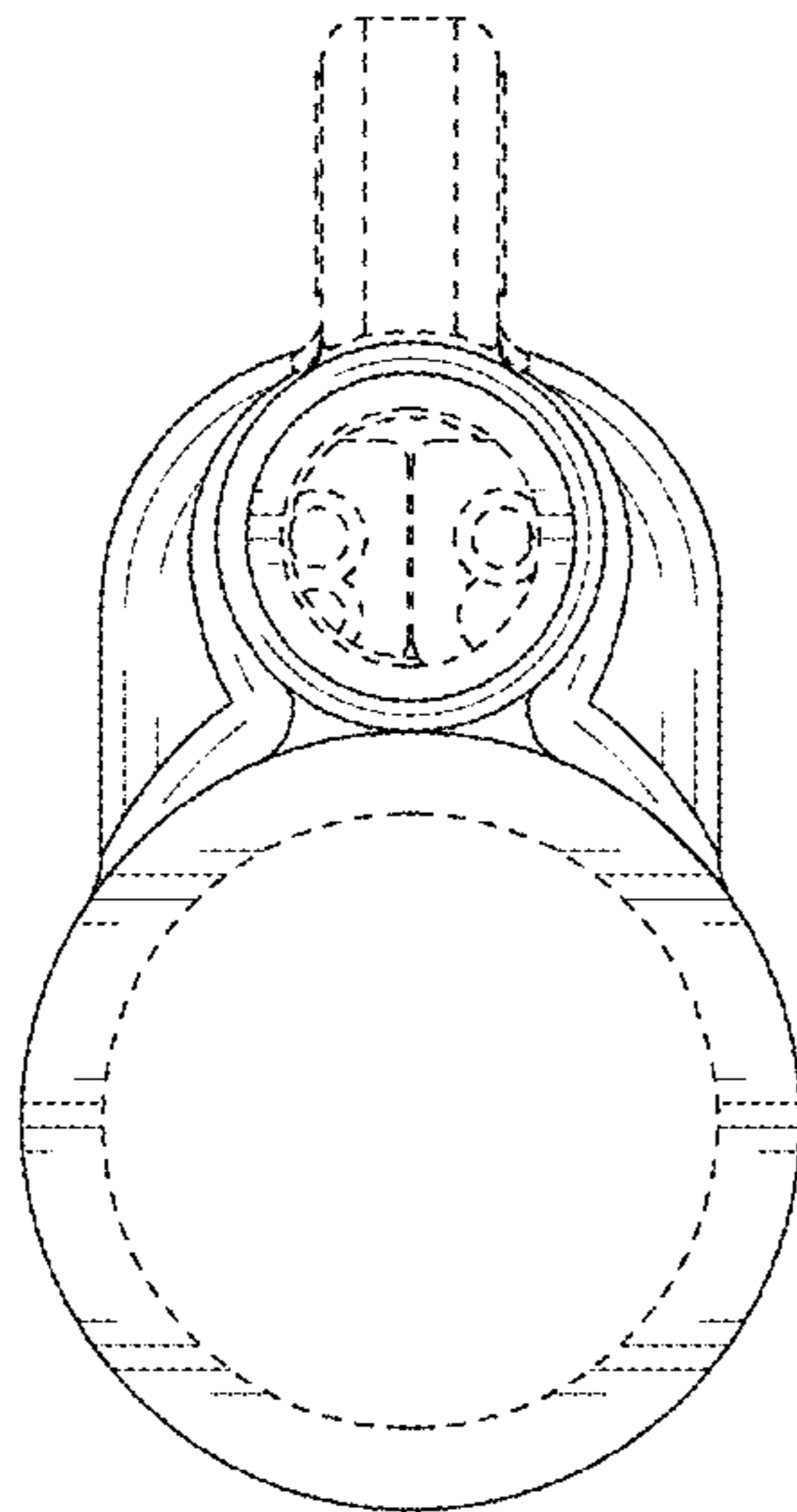


FIG. 14