



US00D786492S

(12) **United States Design Patent**
Hargreaves

(10) **Patent No.:** **US D786,492 S**

(45) **Date of Patent:** **** May 9, 2017**

(54) **MODULAR PORTABLE LIGHT HANGER**

(71) Applicant: **IP Holdings, LLC**, Vancouver, WA
(US)

(72) Inventor: **Doug Hargreaves**, Vancouver, WA
(US)

(73) Assignee: **IP Holdings, LLC**, Vancouver, WA
(US)

(**) Term: **14 Years**

(21) Appl. No.: **29/509,639**

(22) Filed: **Nov. 19, 2014**

(51) **LOC (10) Cl.** **26-99**

(52) **U.S. Cl.**
USPC **D26/138**

(58) **Field of Classification Search**
USPC D26/76, 78, 79, 80, 81, 82, 83, 85, 88,
D26/90, 93, 110, 118, 119, 120, 121, 122,
D26/138, 140-142

CPC F21S 4/00; F21S 4/003; F21S 4/006; F21S
4/007; F21S 4/008; F21S 6/004; F21S
6/005; F21K 9/54; F21V 15/01; F21V
15/013

See application file for complete search history.

(56) **References Cited**

U.S. PATENT DOCUMENTS

3,270,997 A * 9/1966 Gethmann E04G 1/00
182/113

3,502,227 A 3/1970 Konstant
(Continued)

OTHER PUBLICATIONS

AquaticLife Light Fixture Hanger (2pk), Premium Aquatics,
premiumaquatics.com/products/aquaticlife-light-fixture-hanger-2-
pk.html, accessed Apr. 8, 2016.

(Continued)

Primary Examiner — George D Kirschbaum

Assistant Examiner — Natasha Vujcic

(74) *Attorney, Agent, or Firm* — J. Douglas Wells

(57) **CLAIM**

The ornamental design for a modular portable light hanger,
as shown and described.

DESCRIPTION

FIG. 1 is an exploded perspective view of a modular
portable light hanger, as viewed from above, showing my
new design;

FIG. 2 is an enlarged perspective view of a corner compo-
nent of the light hanger shown in FIG. 1, as view from
above;

FIG. 3 is a perspective view of a corner component of the
light hanger shown in FIG. 2, as viewed from below;

FIG. 4 is a top plan view of the corner component shown in
FIG. 2;

FIG. 5 is a rear elevation view of the corner component
shown in FIG. 2;

FIG. 6 is a left side view of the corner component shown in
FIG. 2;

FIG. 7 is a front elevation view of the corner component
shown in FIG. 2

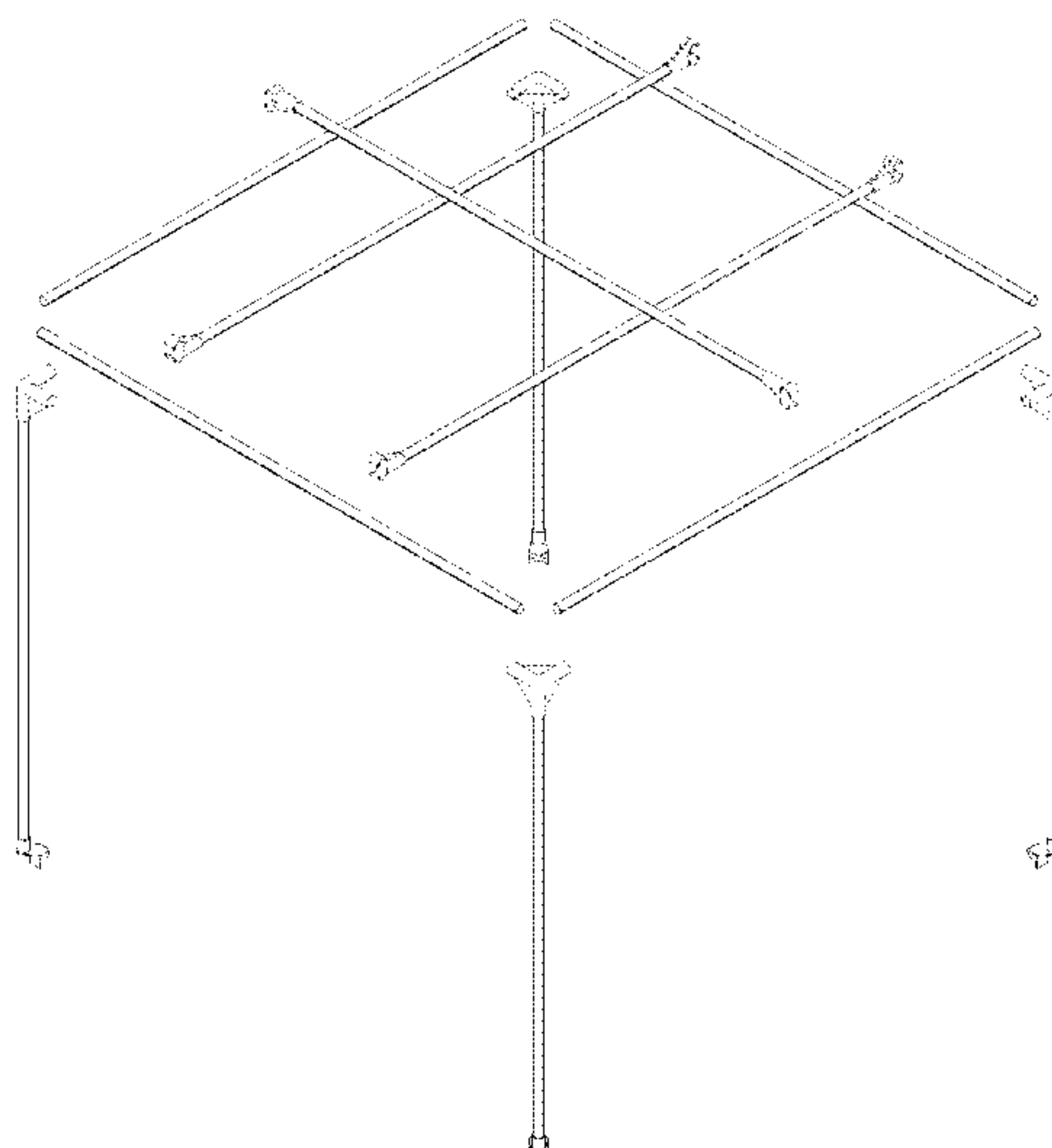
FIG. 8 is a bottom plan view of the corner component shown
in FIG. 2;

FIG. 9 is a perspective view of the modular portable light
hanger shown in FIG. 1, as viewed from above and in the
context of an assembled light hanger and tray stand combi-
nation; and,

FIG. 10 is an enlarged perspective view of the corner
component of the light hanger shown in FIG. 1, as viewed
from above and in the context of the assembled light hanger
and tray stand combination shown in FIG. 9.

The broken-line disclosure shown in the views is understood
to represent portions of the article in which the claimed
design is embodied, but which form no part of the claimed
design.

1 Claim, 4 Drawing Sheets



(56)

References Cited

U.S. PATENT DOCUMENTS

4,773,547 A 9/1988 Bell
 5,016,765 A 5/1991 Leonardo
 5,531,464 A 7/1996 Maurer
 5,579,703 A 12/1996 King
 5,675,932 A 10/1997 Mauney
 6,902,074 B2 6/2005 Albrecht
 D613,900 S * 4/2010 Hargreaves D26/145
 7,823,324 B2 11/2010 Townsley
 7,975,428 B2 7/2011 Townsley
 D644,185 S * 8/2011 Hargreaves D13/152
 8,166,700 B2 5/2012 Townsley
 8,438,779 B2 5/2013 Townsley
 D696,796 S * 12/2013 Macura D25/126
 D708,933 S * 7/2014 Kats D8/380
 D719,289 S * 12/2014 Sorensen D26/68
 9,084,478 B2 7/2015 Ortega
 D736,062 S * 8/2015 Ertel D8/354
 D737,256 S * 8/2015 Harvey D14/238
 D756,690 S * 5/2016 Ortega A47B 13/06
 D6/675

D758,646 S * 6/2016 Reynolds D26/138
 D760,942 S * 7/2016 Blum D26/107
 2016/0014979 A1* 1/2016 Hargreaves A47B 13/06
 248/370

OTHER PUBLICATIONS

Sun Stand 2 Grow Light Hanger, Grow Light Supply, www.growlightsupply.com/index.php?main_page=product_info&products_id=389, accessed Apr. 8, 2016.
 24"-26" inch frame hanger for Evergrow TT-AL09 165w Dimmable Led Aquarium Lights Aquarium Hoods Led Reef Light for Coral Fish Seaweed, 5 Gallon Fish Tanks, fivegallon.fishtank.com/product/24-36inch-frame-hanger-for-evergrow-tt-al09-165w-dimmable-led-aquarium-lights-aquarium-hoods-led-reef-light-for-coral . . . , accessed Apr. 8, 2016.
 Assembly Instructions for HGSFT24—Active Aqua 2' x 4' Flood Tray Stand and HGSFT44—Active Aqua 4' x 4' Flood Tray Stand, Hydrofarm, Oct. 2011.

* cited by examiner

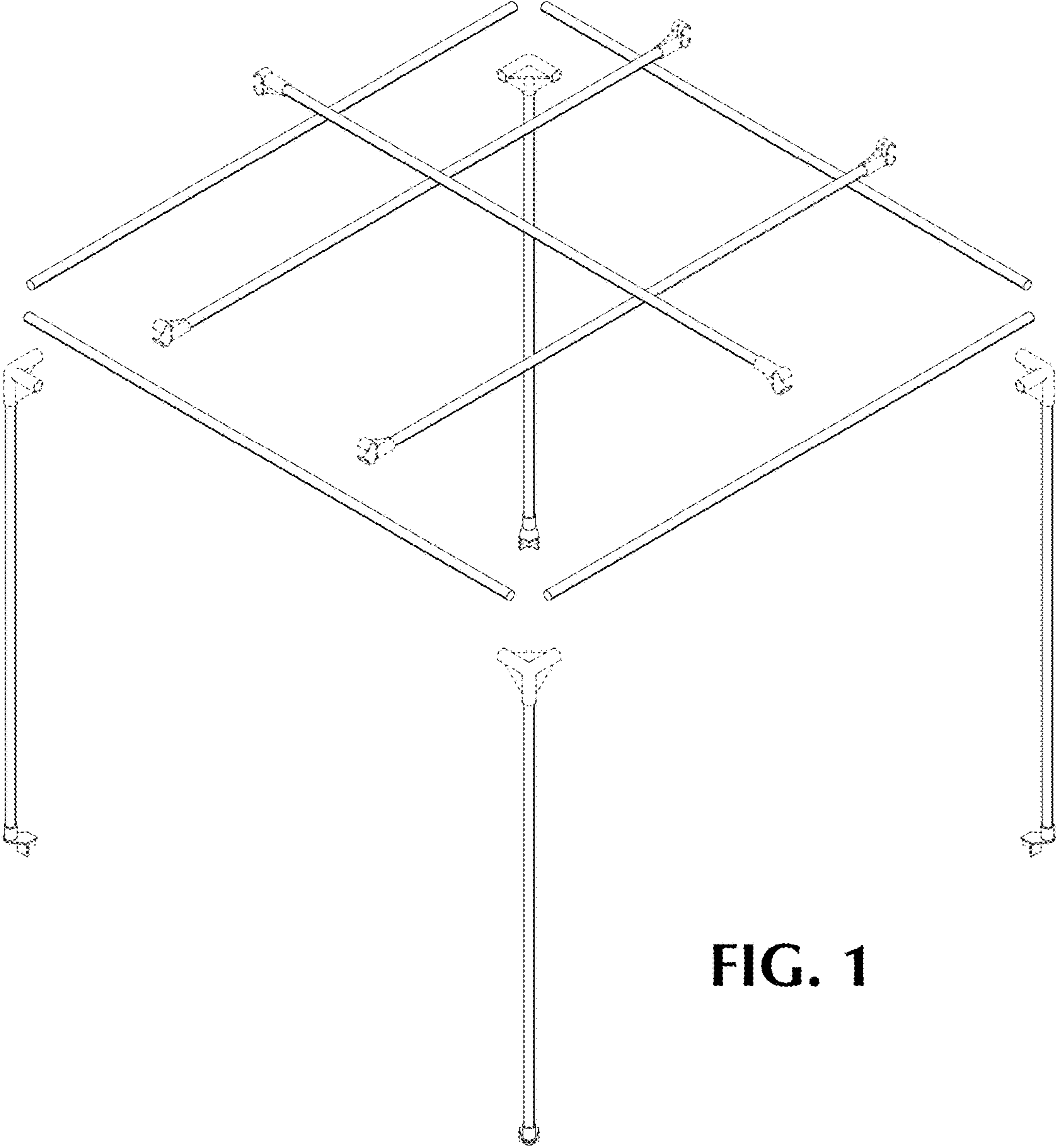


FIG. 1

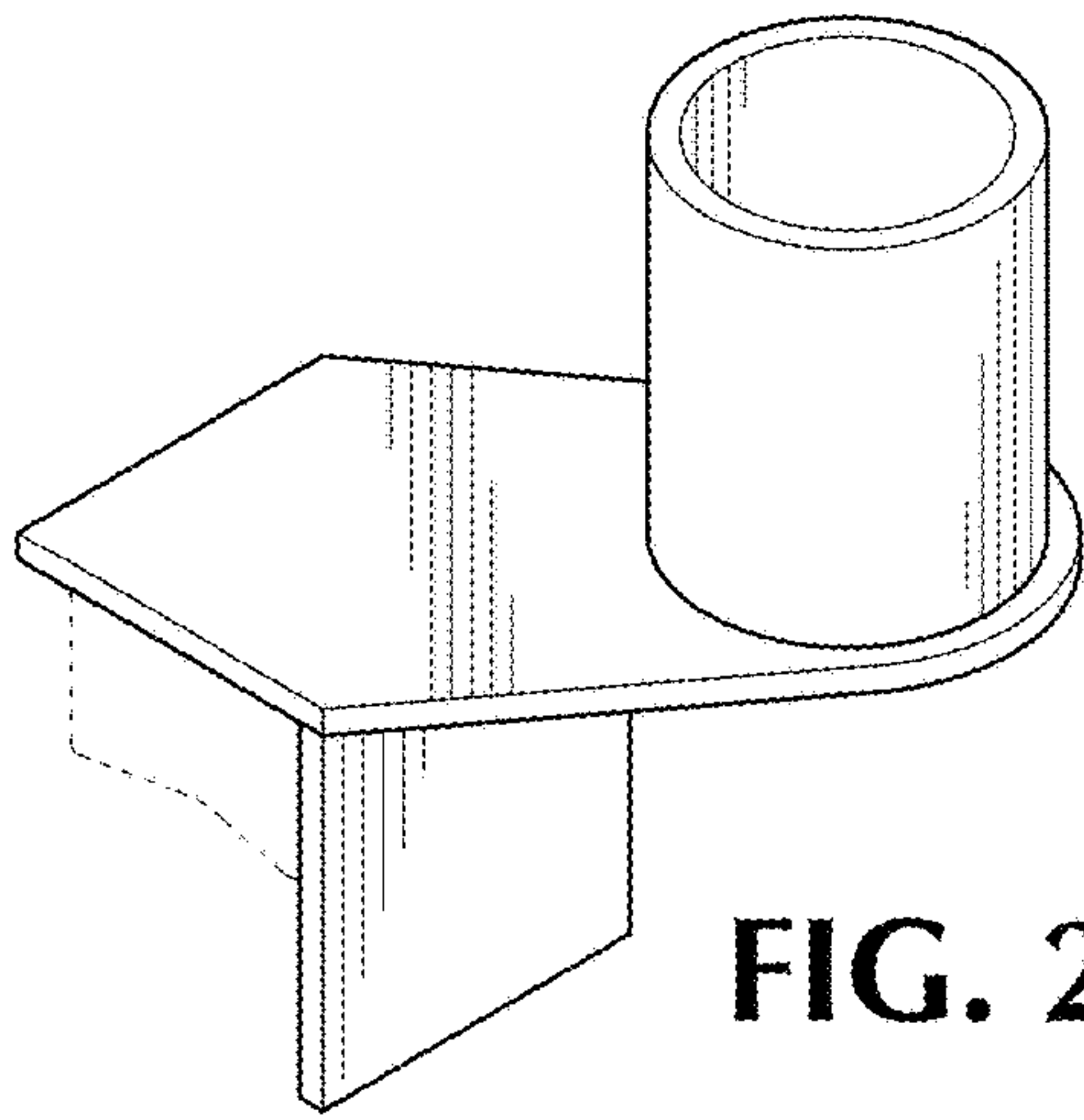


FIG. 2

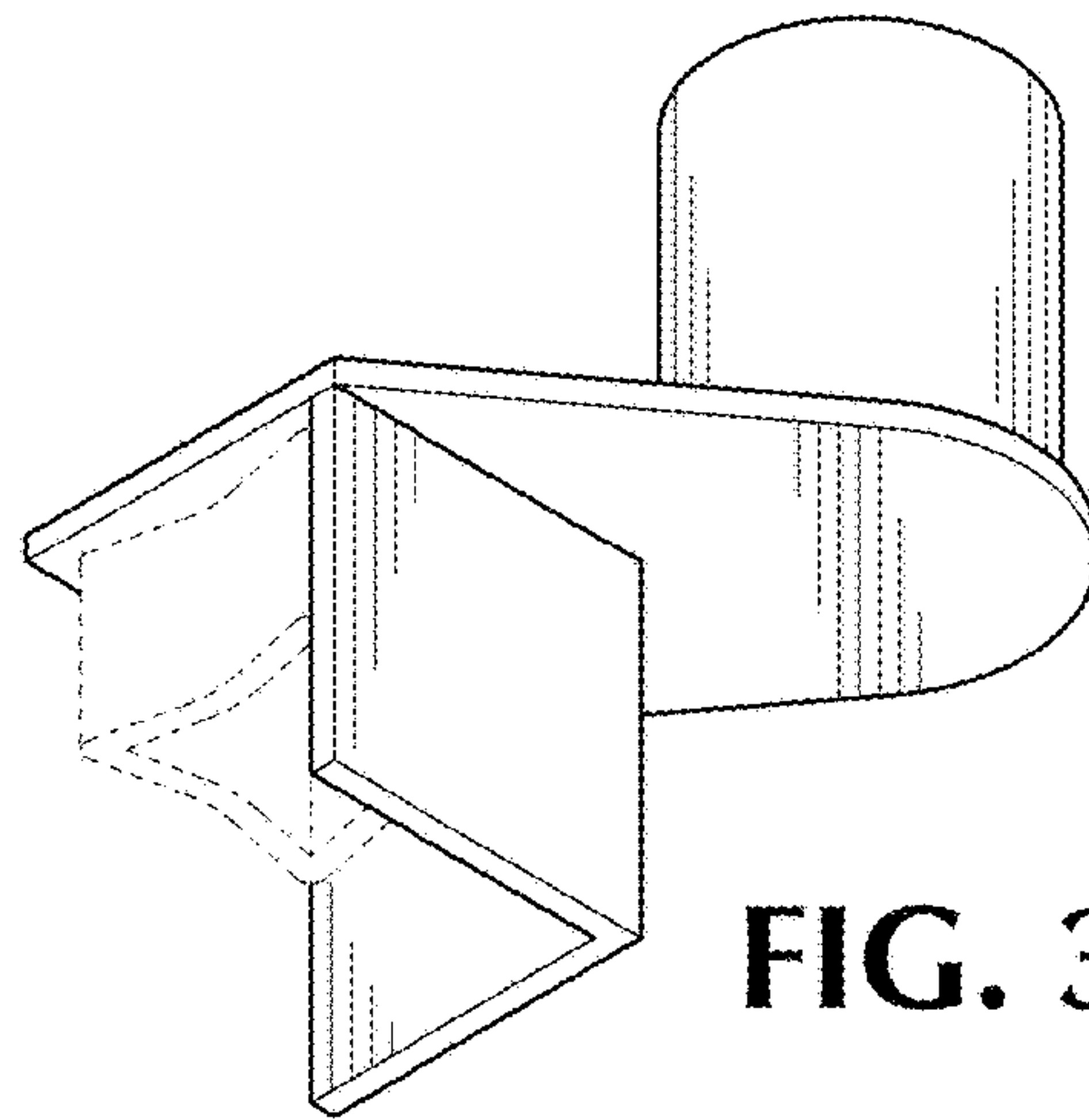


FIG. 3

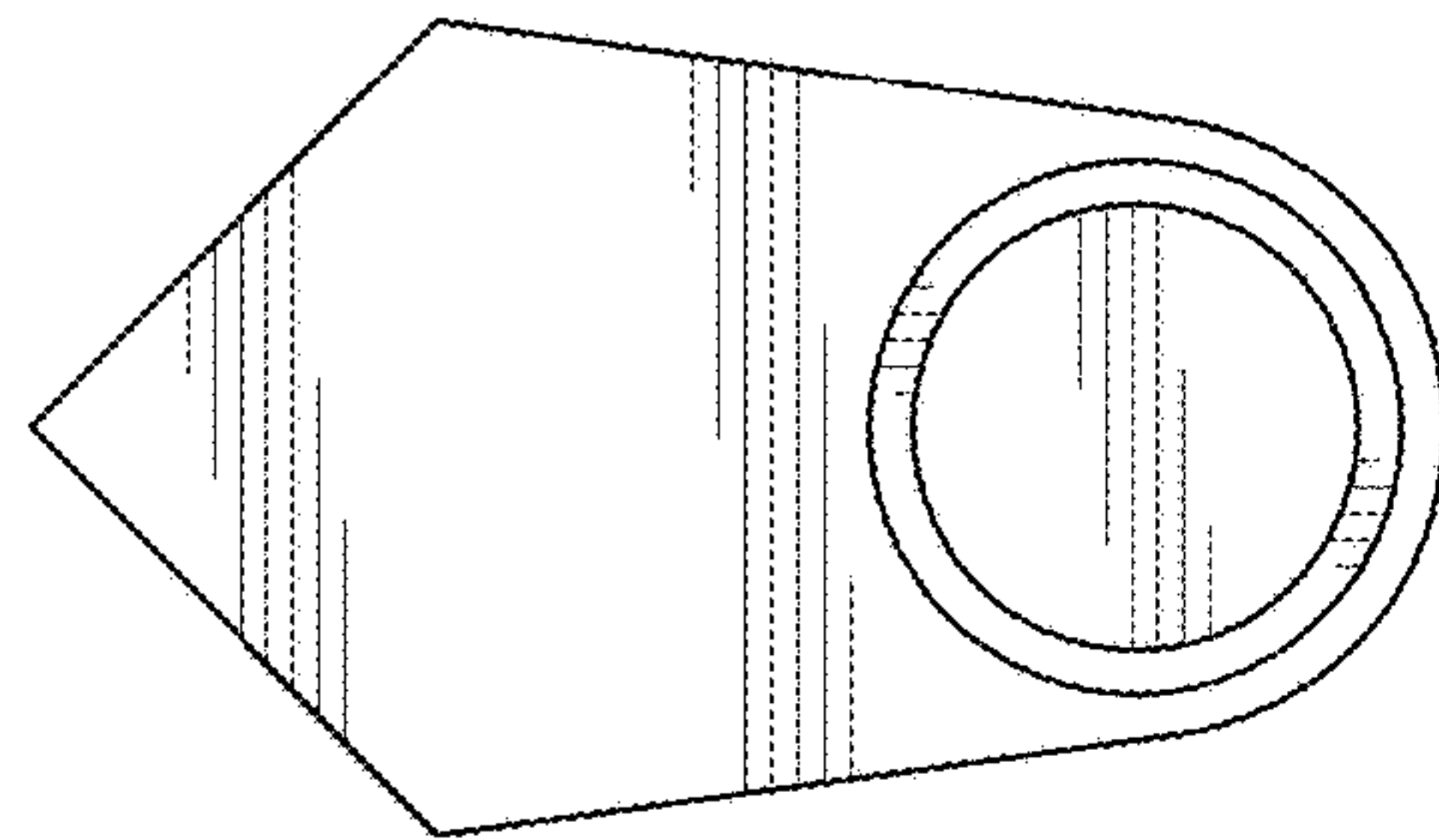


FIG. 4

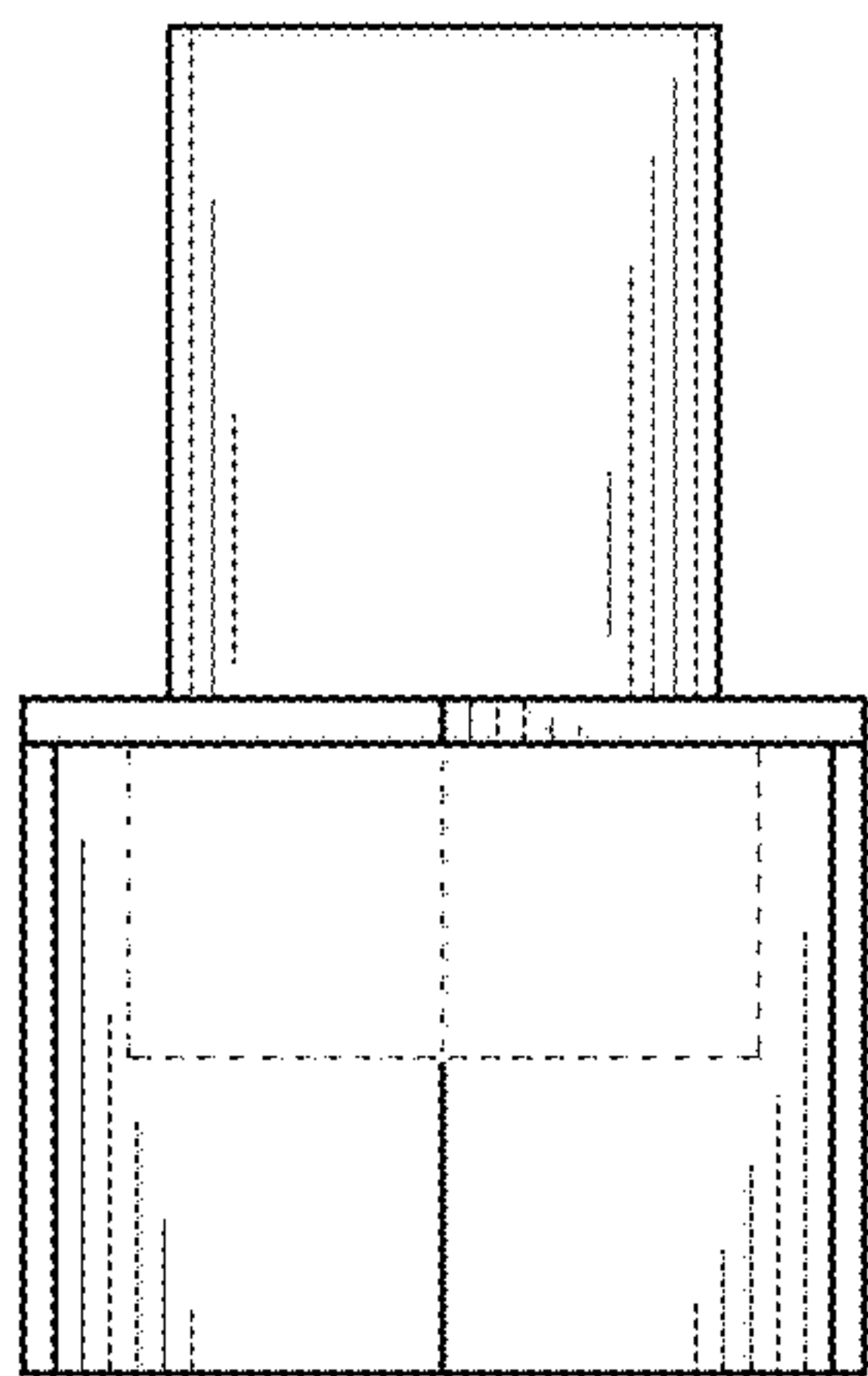


FIG. 5

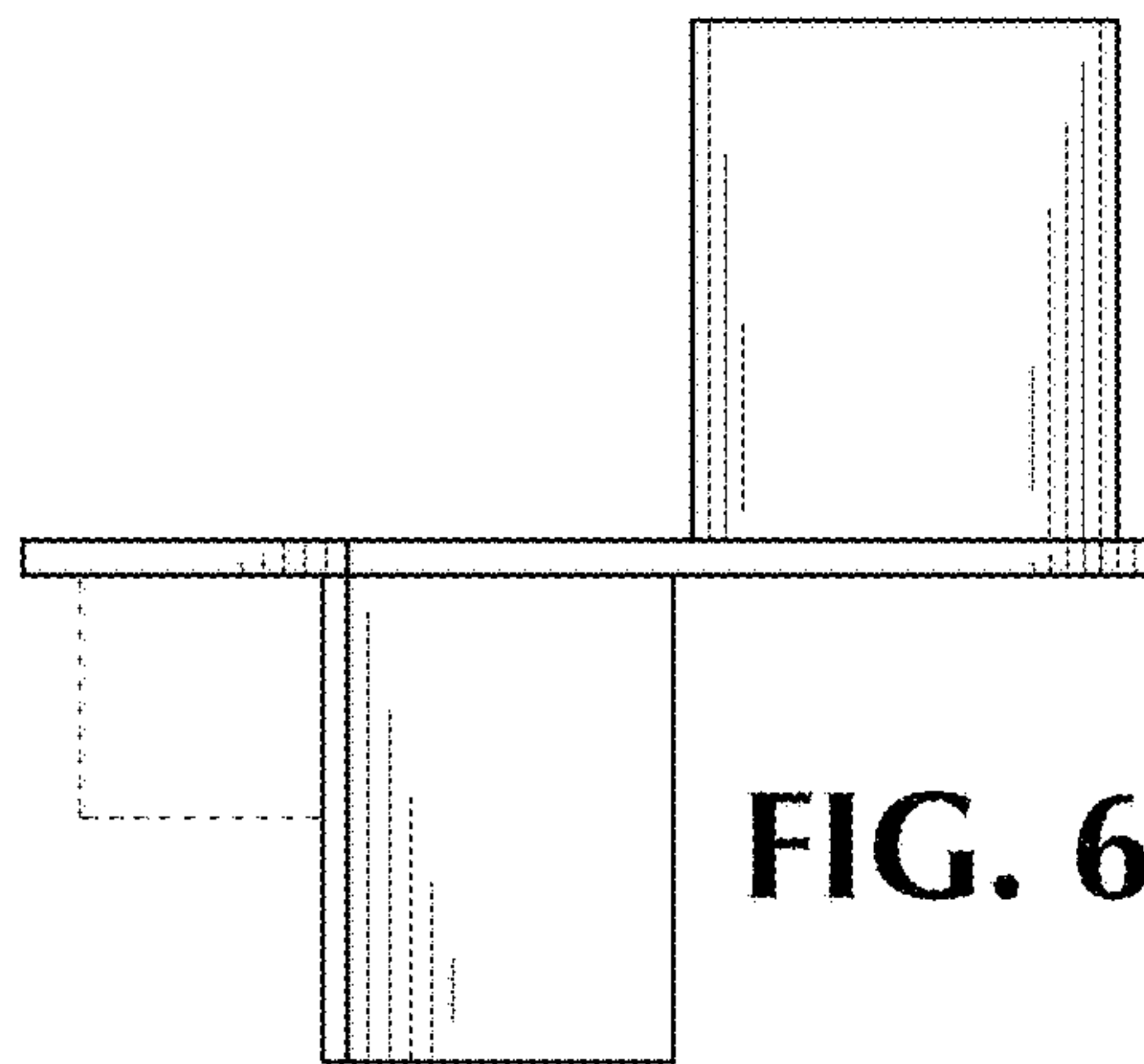


FIG. 6

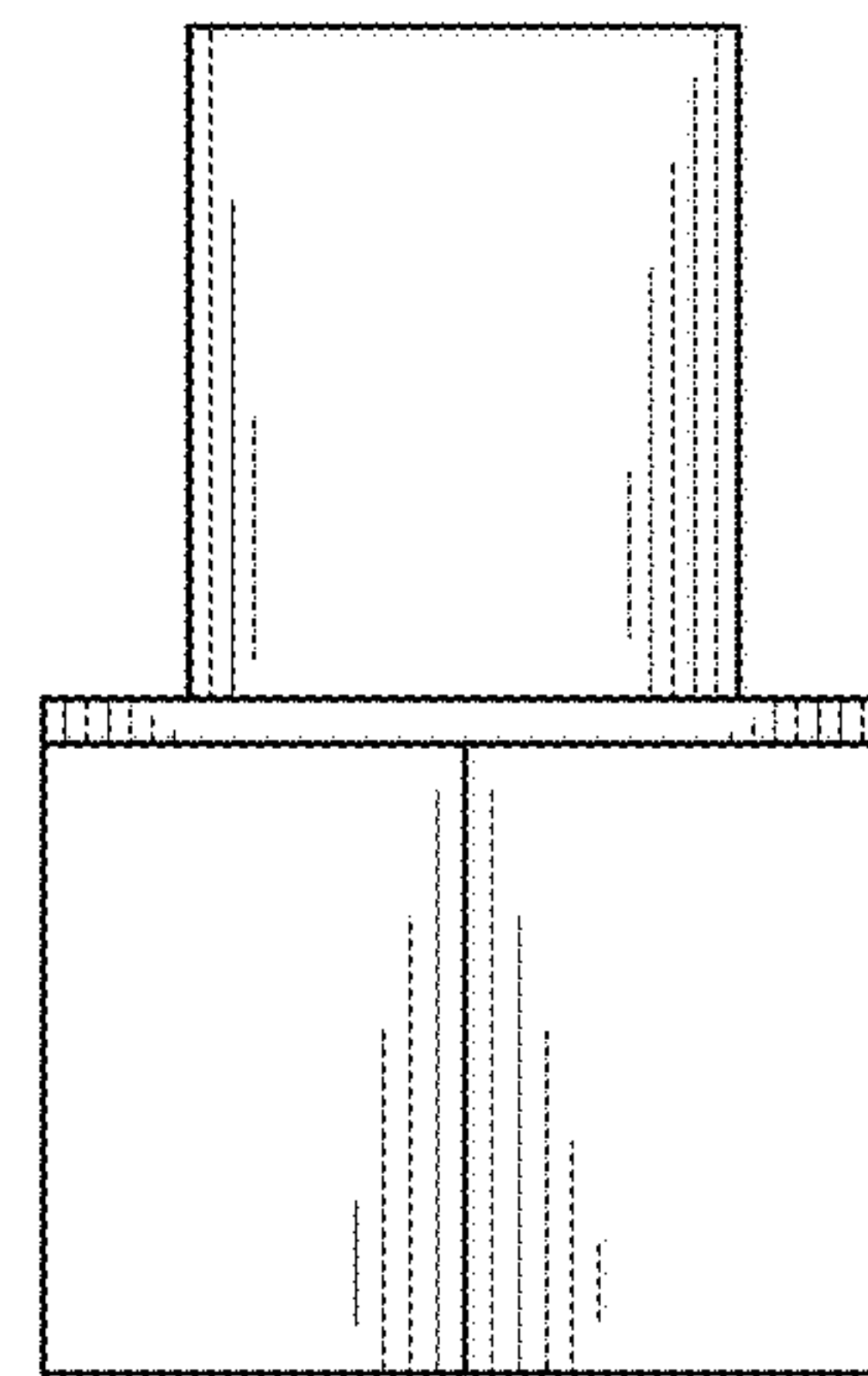


FIG. 7

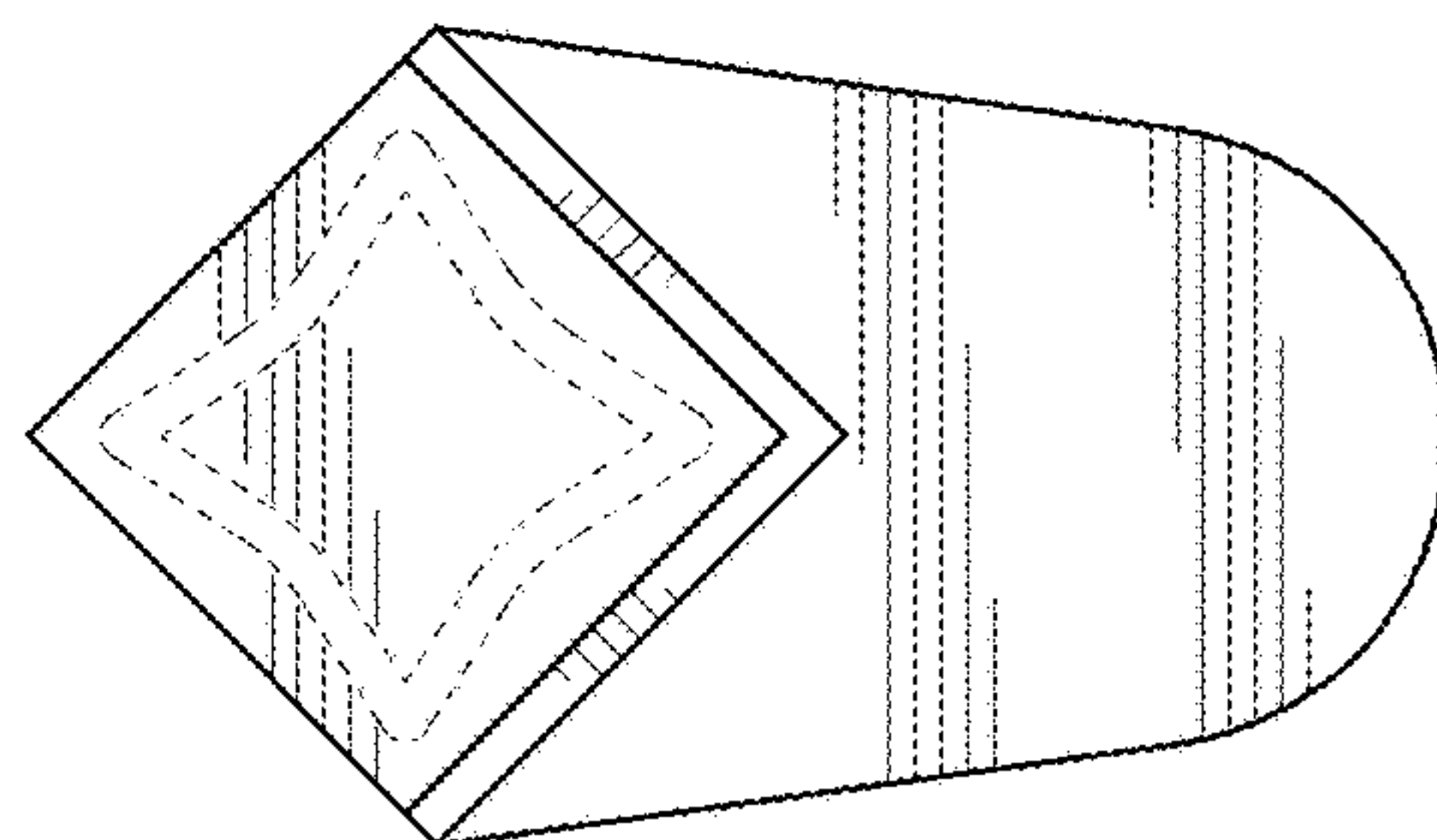


FIG. 8

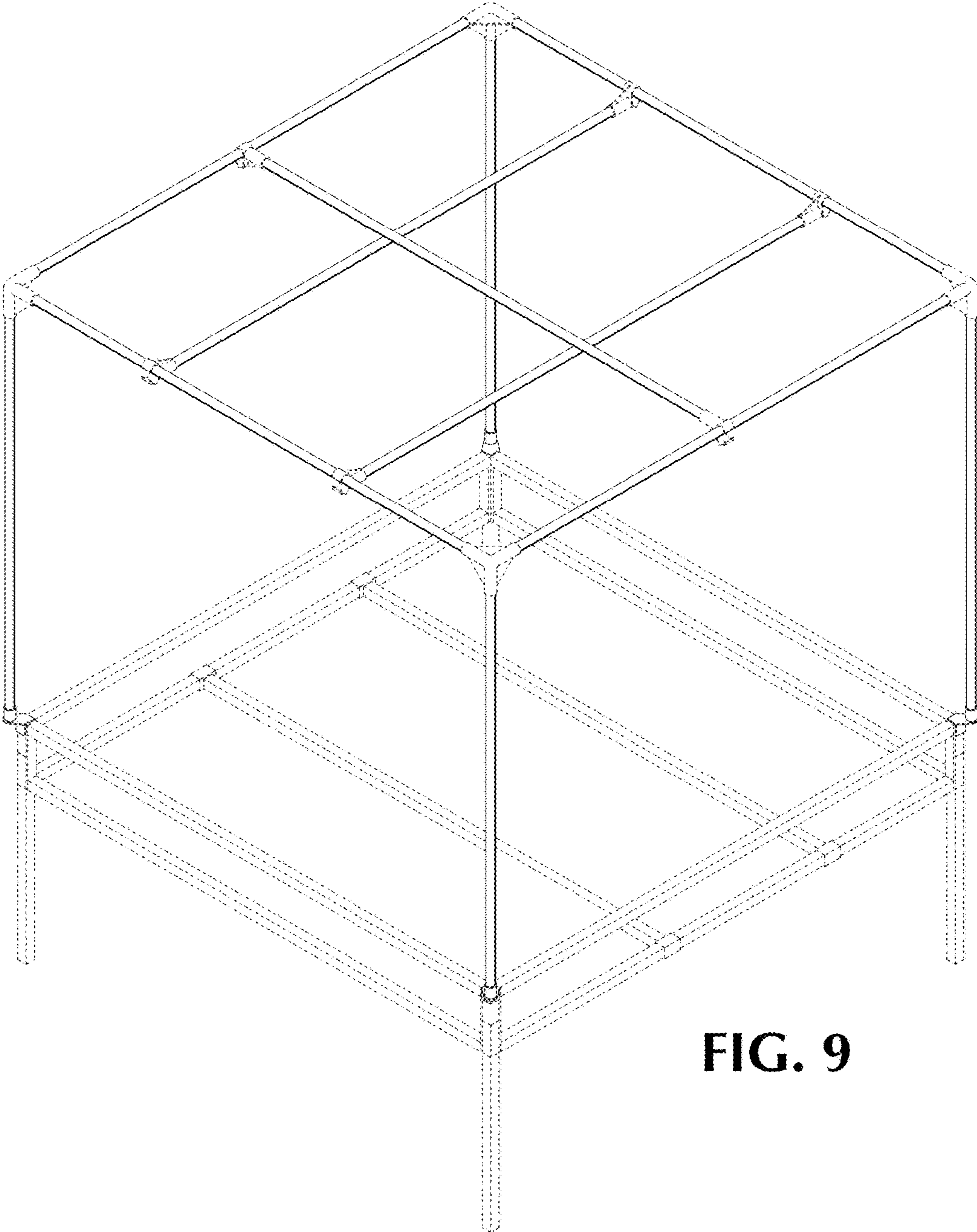


FIG. 9

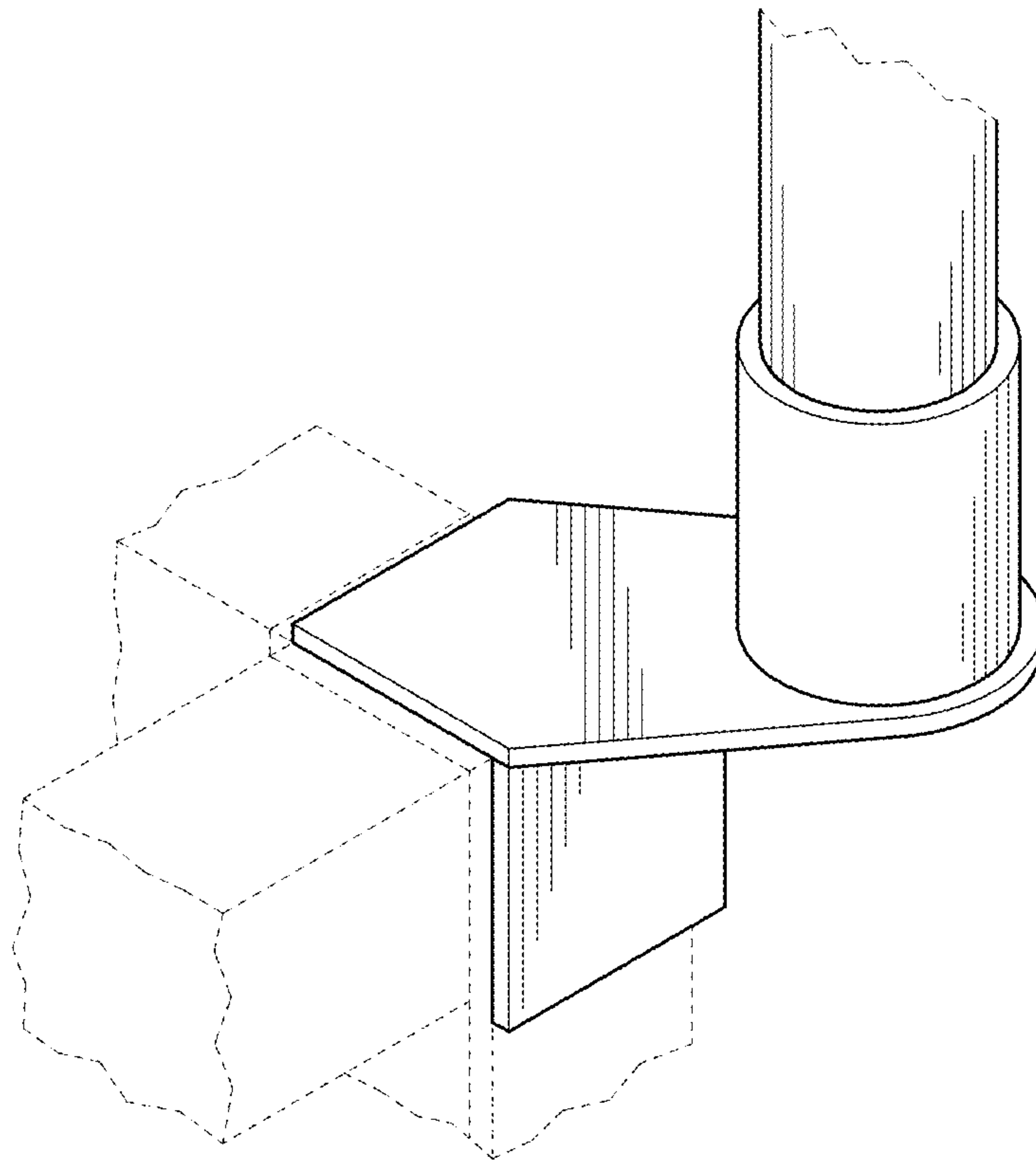


FIG. 10