



US00D786491S

(12) **United States Design Patent**
Reynolds

(10) **Patent No.:** **US D786,491 S**
(45) **Date of Patent:** **** May 9, 2017**

- (54) **HORTICULTURE GROW LIGHT**
- (71) Applicant: **IP Holdings, LLC**, Vancouver, WA
(US)
- (72) Inventor: **Christopher Reynolds**, Vancouver, WA
(US)
- (73) Assignee: **IP Holdings, LLC**, Vancouver, WA
(US)
- (**) Term: **15 Years**
- (21) Appl. No.: **29/578,892**
- (22) Filed: **Sep. 26, 2016**

- D123,768 S 12/1940 Scribner
- D125,001 S 2/1941 Klingsick
- D128,049 S 7/1941 Kurtz
- D133,216 S 7/1942 Parlato
- 2,327,552 A 7/1943 Poehling
- 2,379,798 A 10/1945 Guth
- D147,812 S 11/1947 Picker
- 2,619,583 A 11/1952 Baumgartner
- D180,533 S 6/1957 Stevens
- 2,899,541 A 8/1959 De Mauro
- D186,329 S 10/1959 Guth
- D187,337 S 3/1960 Arnold
- D198,183 S 5/1964 Akely
- D202,648 S 10/1965 Meyer

(Continued)

Primary Examiner — Brian N Vinson

(74) *Attorney, Agent, or Firm* — J. Douglas Wells

Related U.S. Application Data

(63) Continuation of application No. 29/538,398, filed on Sep. 3, 2015, now Pat. No. Des. 770,671.

(51) **LOC (10) Cl.** **29-99**

(52) **U.S. Cl.**
USPC **D26/118**

(58) **Field of Classification Search**

USPC ... D26/9, 10, 12, 13, 15, 16, 24, 51, 61, 72,
D26/76, 80, 81, 85, 86, 88, 90, 113, 118,
D26/119, 120, 122, 128, 129, 138, 143,
D26/144

CPC B60Q 1/04; B60Q 1/26; F21S 8/026; F21S
8/04; F21V 21/02; F21V 29/004; F21V
21/04; F21V 29/2212; F21V 7/22; F21V
29/83; F21V 37/002; F21V 7/00; F21L
19/00; F23D 11/443; F21Y 2101/02;
A61L 9/037

See application file for complete search history.

(56) **References Cited**

U.S. PATENT DOCUMENTS

- 1,410,945 A 3/1922 Walker
- D122,145 S 8/1940 MacCarthy

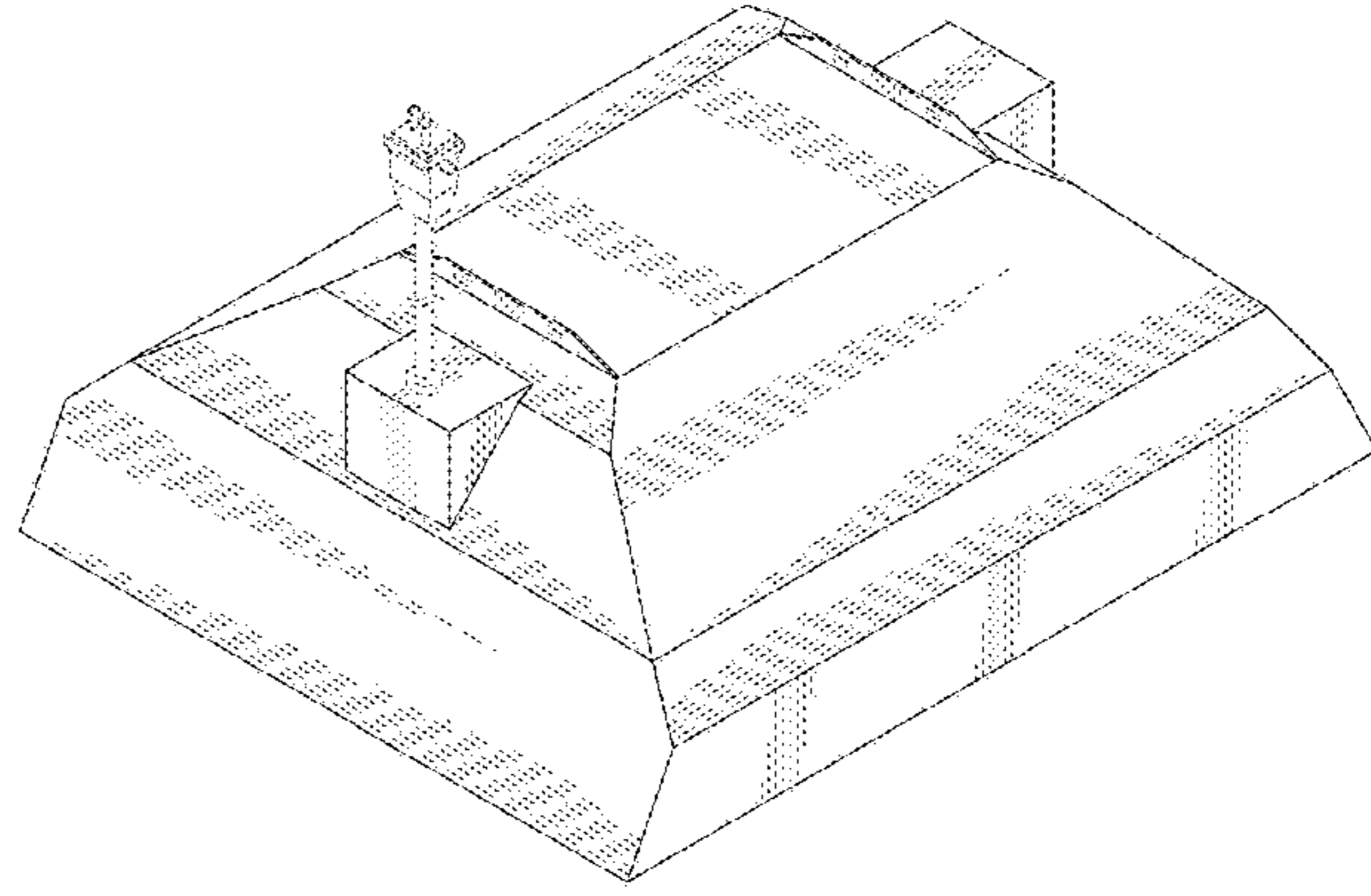
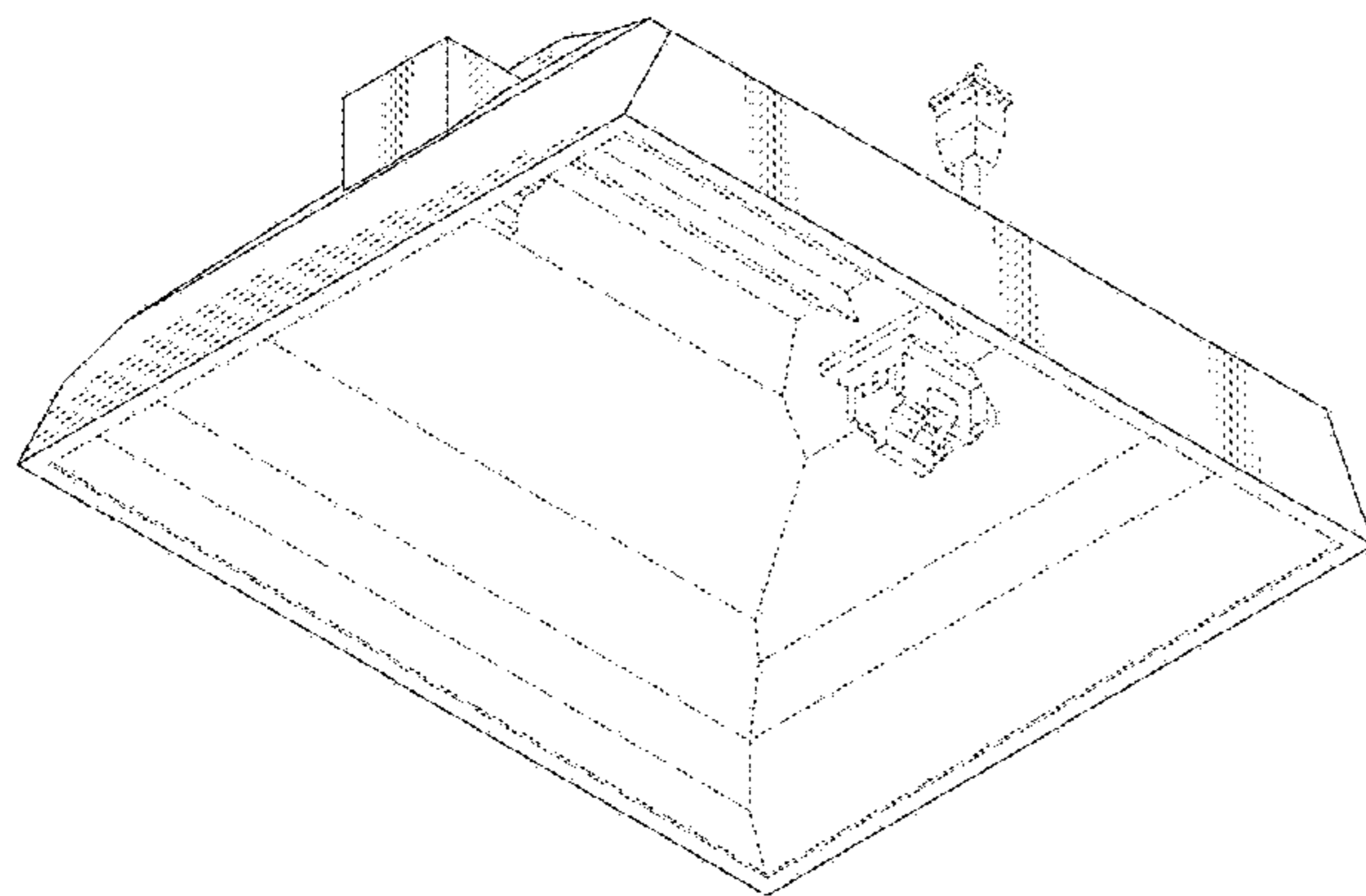
(57) **CLAIM**

The ornamental design for a horticulture grow light, as shown and described.

DESCRIPTION

FIG. 1 is a perspective view of a horticulture grow light, as viewed from below, showing my new design;
 FIG. 2 is a perspective view of the light shown in FIG. 1, as viewed from above;
 FIG. 3 is a left side view of the light shown in FIG. 1;
 FIG. 4 is a right side view of the light shown in FIG. 1;
 FIG. 5 is a front elevation view of the light shown in FIG. 1;
 FIG. 6 is a rear elevation view of the light shown in FIG. 1;
 FIG. 7 is a bottom plan view of the light shown in FIG. 1;
 and,
 FIG. 8 is a top plan view of the light shown in FIG. 1.
 The broken-line disclosure shown in the views is understood to represent portions of the article in which the claimed design is embodied, but which form no part of the claimed design.

1 Claim, 7 Drawing Sheets



(56)

References Cited

U.S. PATENT DOCUMENTS

3,836,765 A 9/1974 Ritzow
 3,860,829 A 1/1975 Fabbri
 4,078,169 A 3/1978 Armstrong
 D259,738 S 6/1981 Boschetti
 4,342,072 A 7/1982 Guritz
 D277,416 S 1/1985 Brown
 D311,597 S 10/1990 Poot
 5,025,356 A 6/1991 Gawad
 D323,897 S 2/1992 Compton
 5,089,940 A 2/1992 Lanzarone
 5,113,328 A 5/1992 Foster
 5,195,822 A 3/1993 Takahashi
 D344,605 S 2/1994 Aspenwall
 D349,358 S 8/1994 Herst
 D352,126 S 11/1994 Ruud
 D361,393 S 8/1995 Vakil
 5,440,470 A 8/1995 Ly
 5,479,327 A 12/1995 Chen
 D375,180 S 10/1996 Lyons
 D376,437 S 12/1996 Karlo
 D383,560 S 9/1997 Palmer
 D391,382 S 2/1998 Rahn
 D399,328 S 10/1998 Compton
 D400,289 S 10/1998 Wardenburg
 D405,907 S 2/1999 Herst
 D415,304 S 10/1999 Brown
 D417,303 S 11/1999 Rahn
 D418,626 S 1/2000 Herst
 6,024,468 A 2/2000 Kassay
 D428,516 S * 7/2000 Reo D26/118
 D430,688 S 9/2000 Plunk
 D431,876 S 10/2000 Lewis
 D445,943 S 7/2001 Littman
 D446,333 S 8/2001 Frois
 D447,266 S 8/2001 Verfuert
 D447,272 S * 8/2001 Smith D26/118
 6,299,327 B1 10/2001 Camarota
 D456,551 S 4/2002 Rusello
 D456,552 S 4/2002 Rusello
 D456,553 S 4/2002 Rusello
 D456,927 S 5/2002 Rusello
 D456,928 S 5/2002 Rusello
 D456,938 S * 5/2002 Wardenburg D26/118
 D463,059 S 9/2002 Verfuert
 D465,869 S 11/2002 Bodell
 6,527,422 B1 3/2003 Hutchison
 6,585,396 B1 7/2003 Verfuert
 6,595,662 B2 7/2003 Wardenburg
 D494,700 S 8/2004 Hartman
 D497,026 S 10/2004 Hand
 D499,504 S 12/2004 Meyer
 6,908,212 B2 6/2005 Schultz
 D520,173 S 5/2006 Plunk
 D521,172 S 5/2006 Chen
 7,083,309 B2 8/2006 Chan
 D542,460 S 5/2007 Hargreaves
 D543,651 S 5/2007 Hargreaves
 D543,652 S * 5/2007 Hargreaves D26/118
 D543,653 S 5/2007 Hargreaves
 D543,654 S 5/2007 Hargreaves

D544,129 S 6/2007 Hargreaves
 D544,130 S 6/2007 Hargreaves
 D544,139 S 6/2007 Hargreaves
 D544,626 S 6/2007 Hargreaves
 D544,980 S 6/2007 Hargreaves
 D544,981 S 6/2007 Hargreaves
 D544,982 S 6/2007 Hargreaves
 D544,983 S 6/2007 Hargreaves
 D544,985 S 6/2007 Hargreaves
 D544,995 S * 6/2007 Hargreaves D26/118
 D545,475 S 6/2007 Hargreaves
 D545,484 S * 6/2007 Hargreaves D26/118
 D545,485 S * 6/2007 Hargreaves D26/118
 7,524,090 B2 4/2009 Hargreaves
 D592,786 S 5/2009 Bisberg
 7,534,011 B2 5/2009 Townsley
 D595,894 S 7/2009 Verfuert
 D596,778 S 7/2009 Yamazato
 D603,999 S 11/2009 Fowler
 7,628,506 B2 12/2009 Verfuert
 D614,801 S * 4/2010 Collins D26/118
 7,784,966 B2 8/2010 Verfuert
 D632,418 S 2/2011 Bisberg
 D634,060 S * 3/2011 Wardenburg D26/118
 D634,469 S * 3/2011 Hargreaves D26/118
 7,972,044 B2 7/2011 Burkhauser
 7,982,376 B2 7/2011 Keen
 8,136,958 B2 3/2012 Verfuert
 8,322,011 B2 12/2012 Hargreaves
 D675,365 S 1/2013 Beghelli
 D675,369 S * 1/2013 Michaud D26/118
 8,376,583 B2 2/2013 Wang
 D693,959 S * 11/2013 Boyer D26/118
 D698,986 S * 2/2014 Reynolds D26/118
 D703,858 S 4/2014 Miller
 D704,372 S 5/2014 Speier
 D711,037 S 8/2014 Lehman
 8,905,575 B2 * 12/2014 Durkee F21V 7/0008
 362/218
 D723,206 S 2/2015 Lewis, Jr.
 8,960,950 B2 2/2015 Risley
 D731,701 S * 6/2015 Hargreaves D26/118
 D732,235 S * 6/2015 Reynolds D26/118
 D732,236 S * 6/2015 Reynolds D26/118
 D736,450 S * 8/2015 Reynolds D26/118
 D740,486 S * 10/2015 Stanley D26/118
 D747,029 S * 1/2016 Reynolds D26/118
 D748,849 S * 2/2016 Stanley D26/118
 D750,316 S * 2/2016 Reynolds D26/118
 D751,244 S * 3/2016 Reynolds D26/118
 D751,247 S * 3/2016 Reynolds D26/118
 D756,016 S 5/2016 Hargreaves
 D757,325 S 5/2016 Stanley
 D757,326 S 5/2016 Reynolds
 D757,327 S 5/2016 Reynolds
 D770,671 S 11/2016 Reynolds
 2002/0141195 A1 10/2002 Peter
 2006/0055293 A1 3/2006 Ngai
 2007/0211457 A1 9/2007 Mayfield
 2008/0117617 A1 5/2008 Hargreaves
 2008/0205071 A1 8/2008 Townsley
 2011/0183308 A1 7/2011 Hsu

* cited by examiner

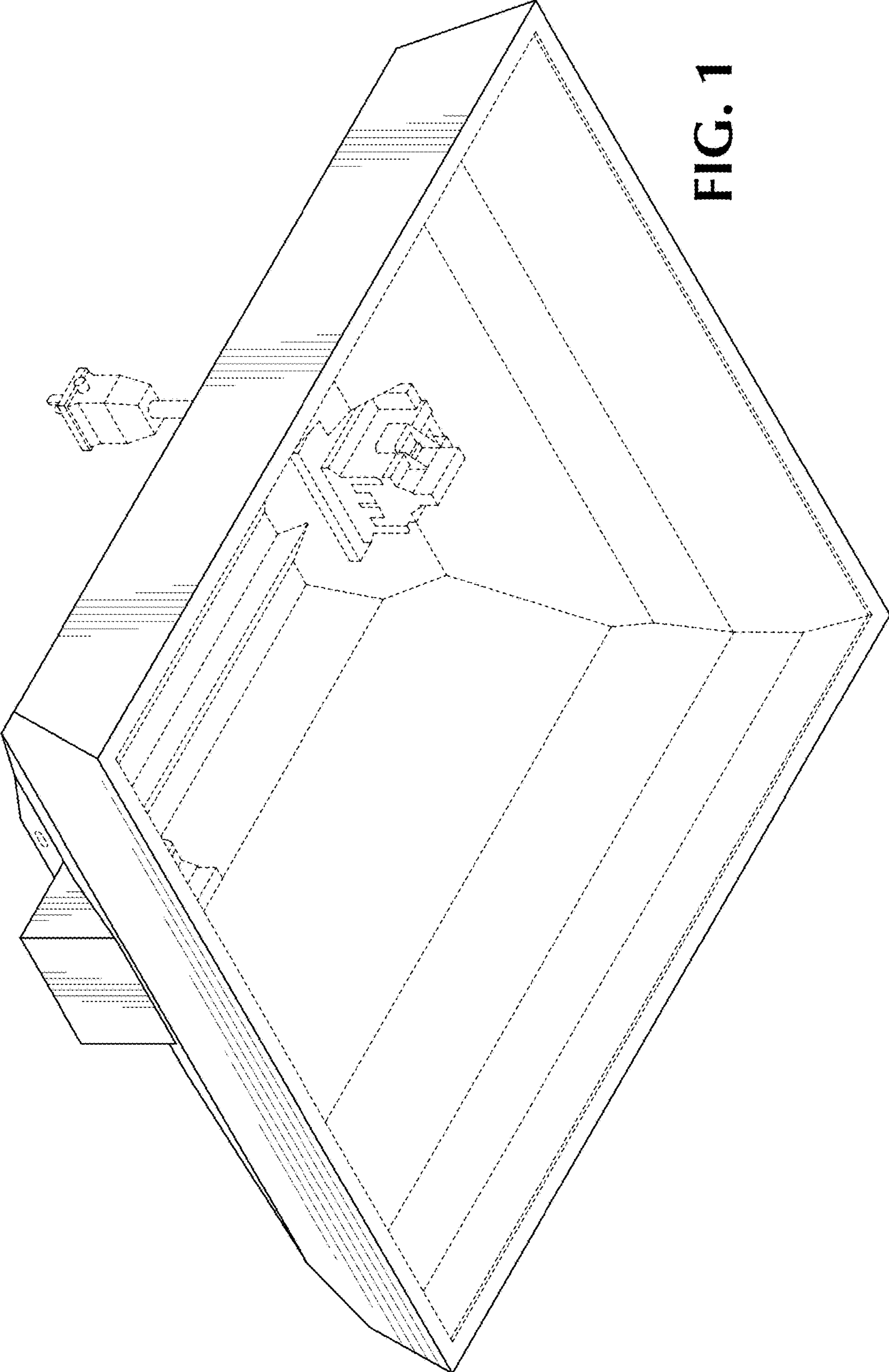


FIG. 1

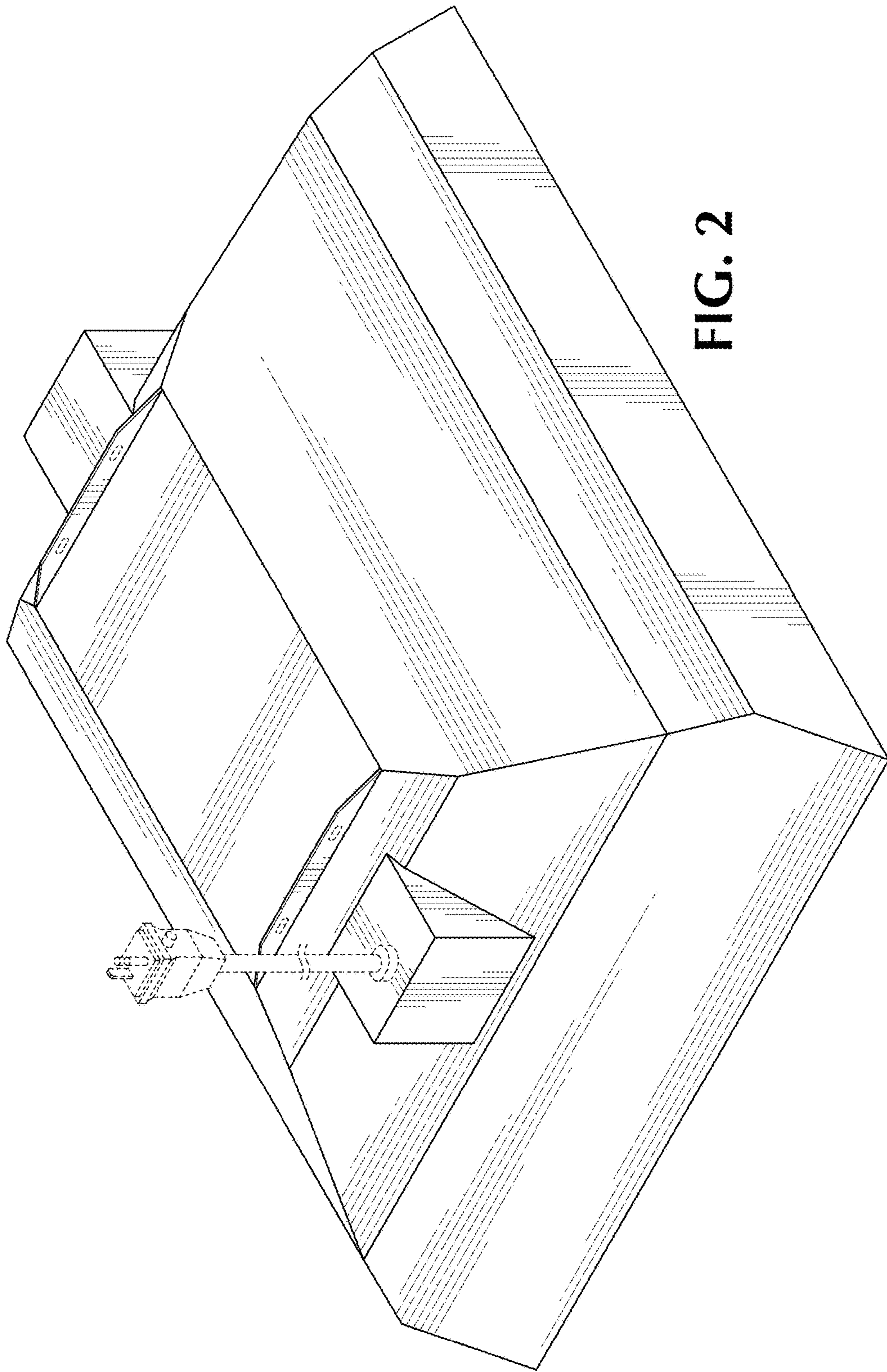
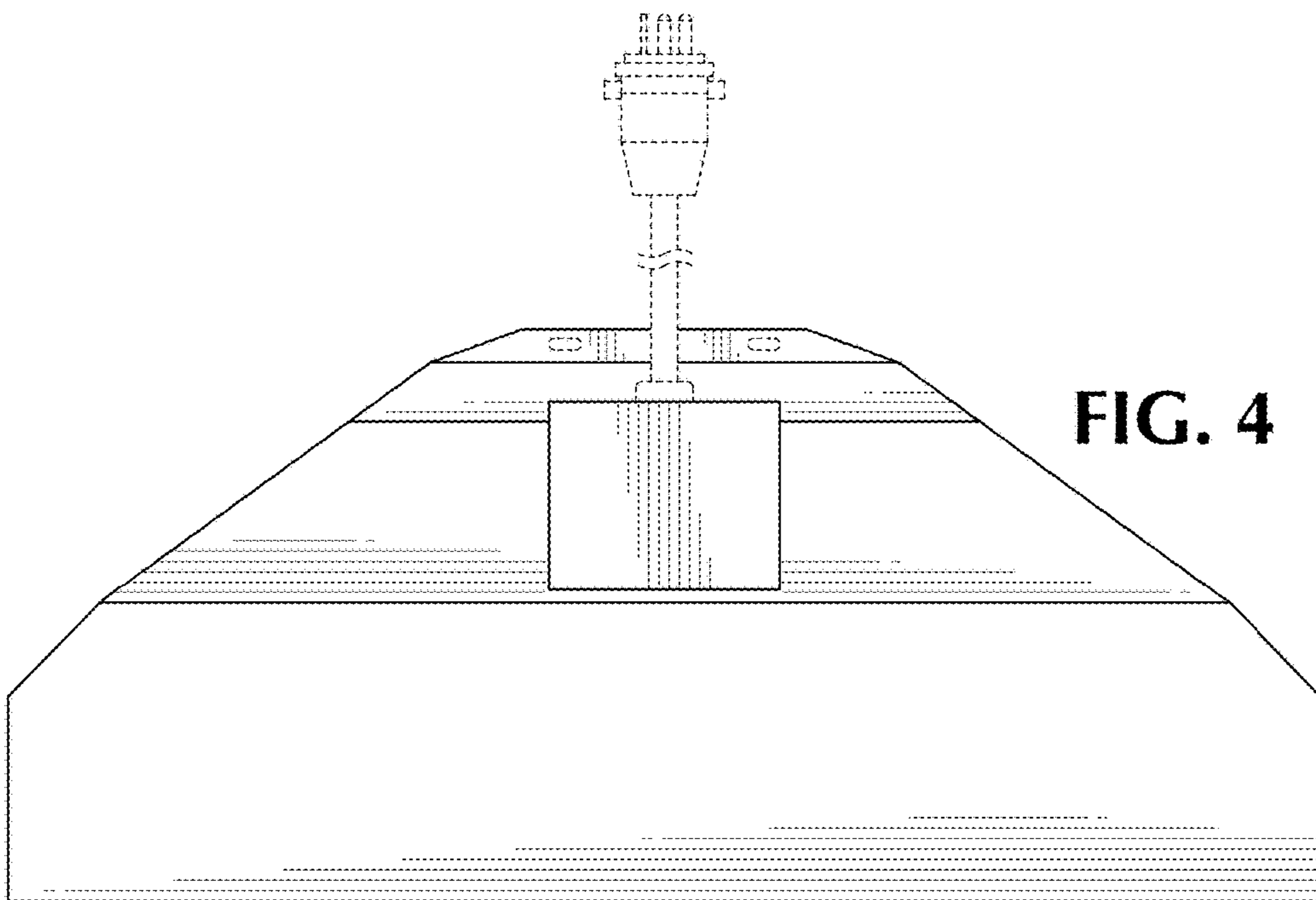
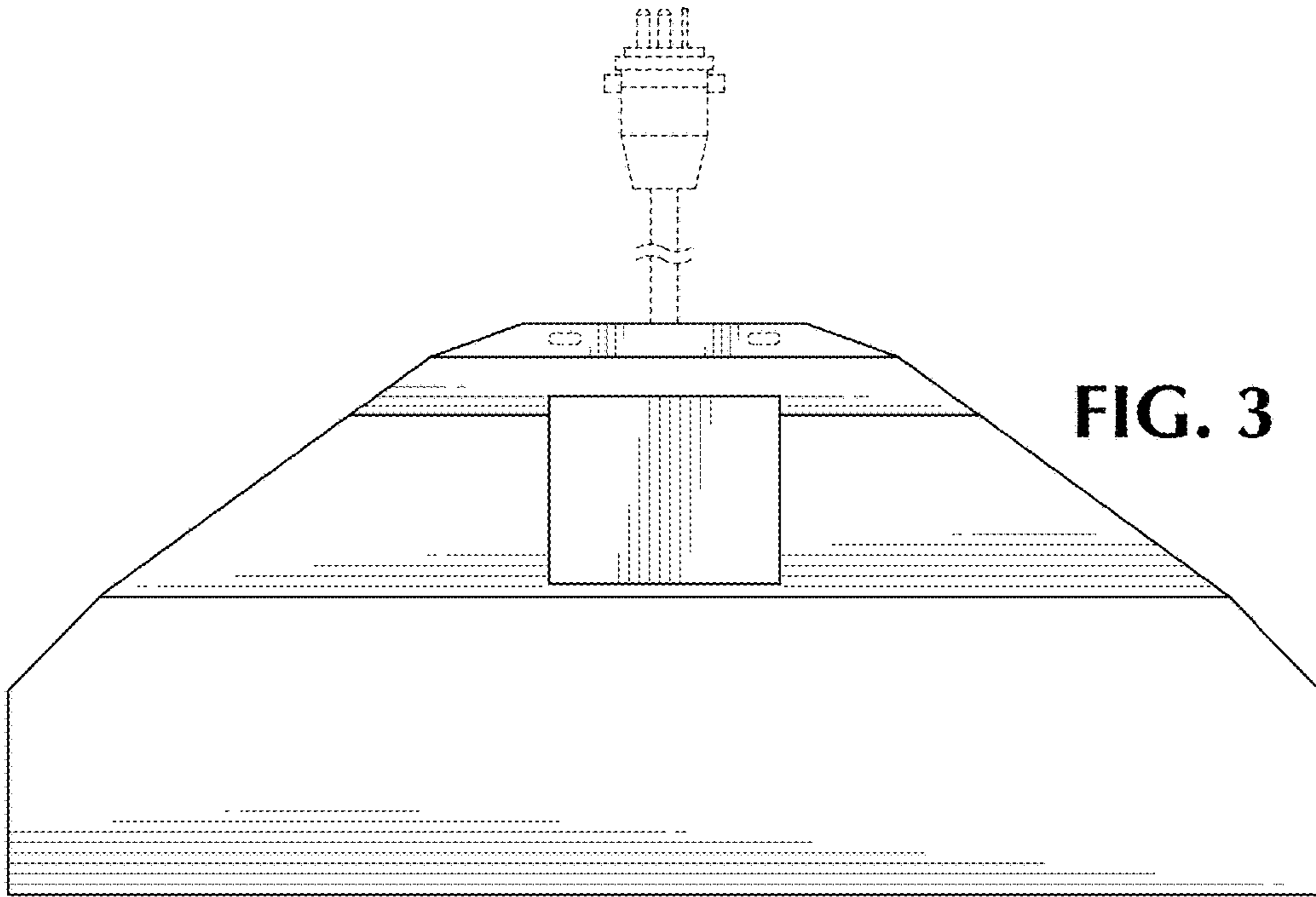


FIG. 2



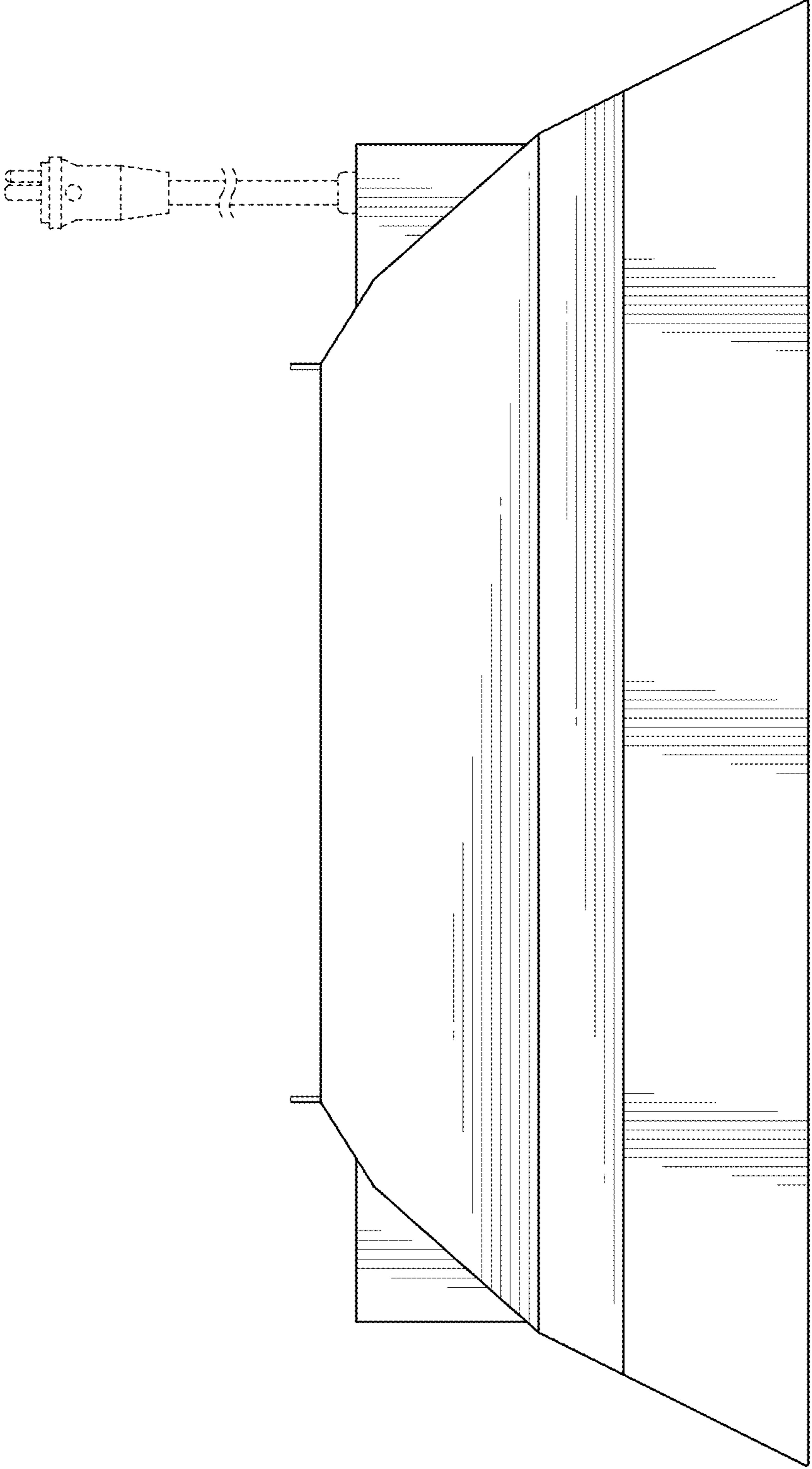


FIG. 5

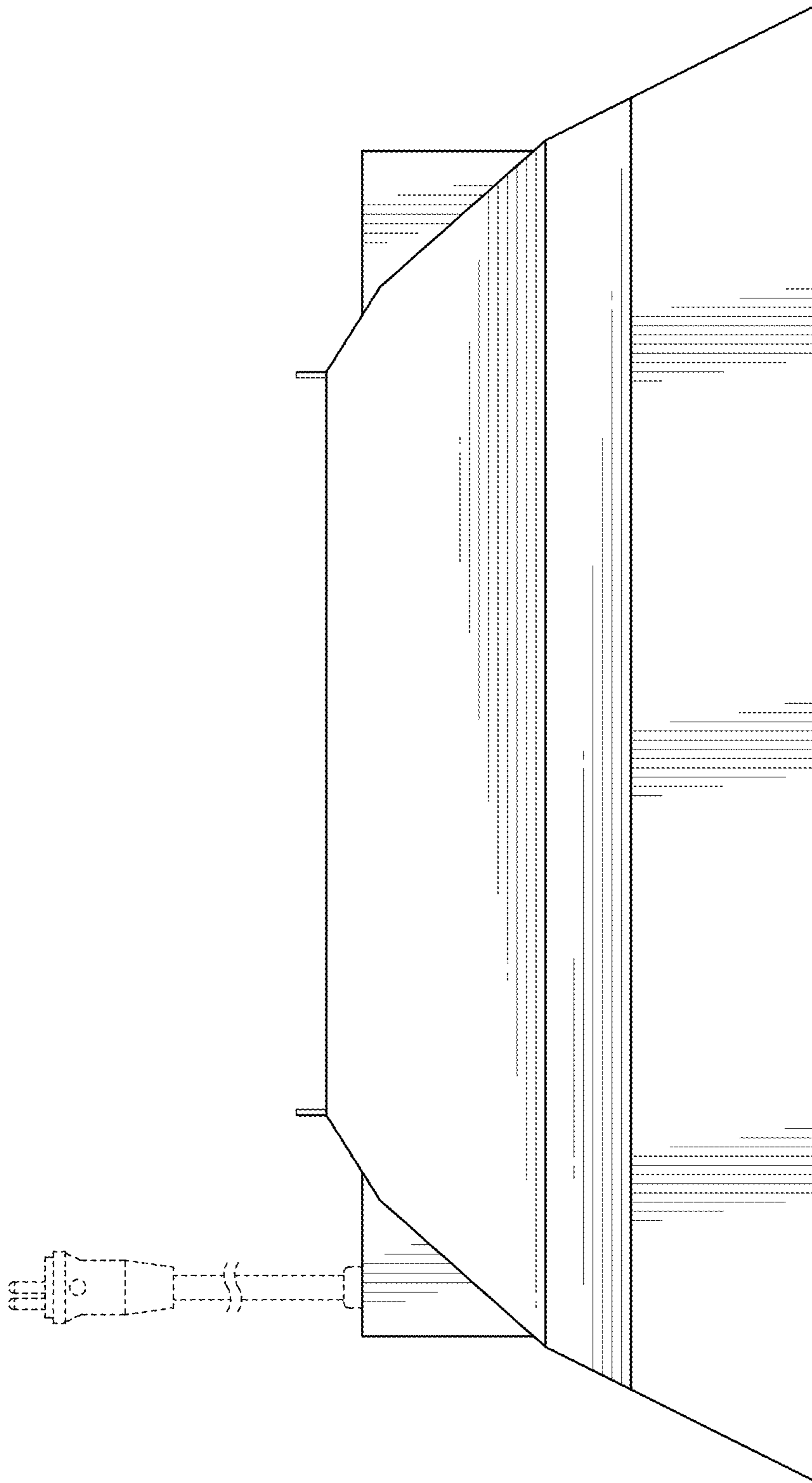


FIG. 6

FIG. 7

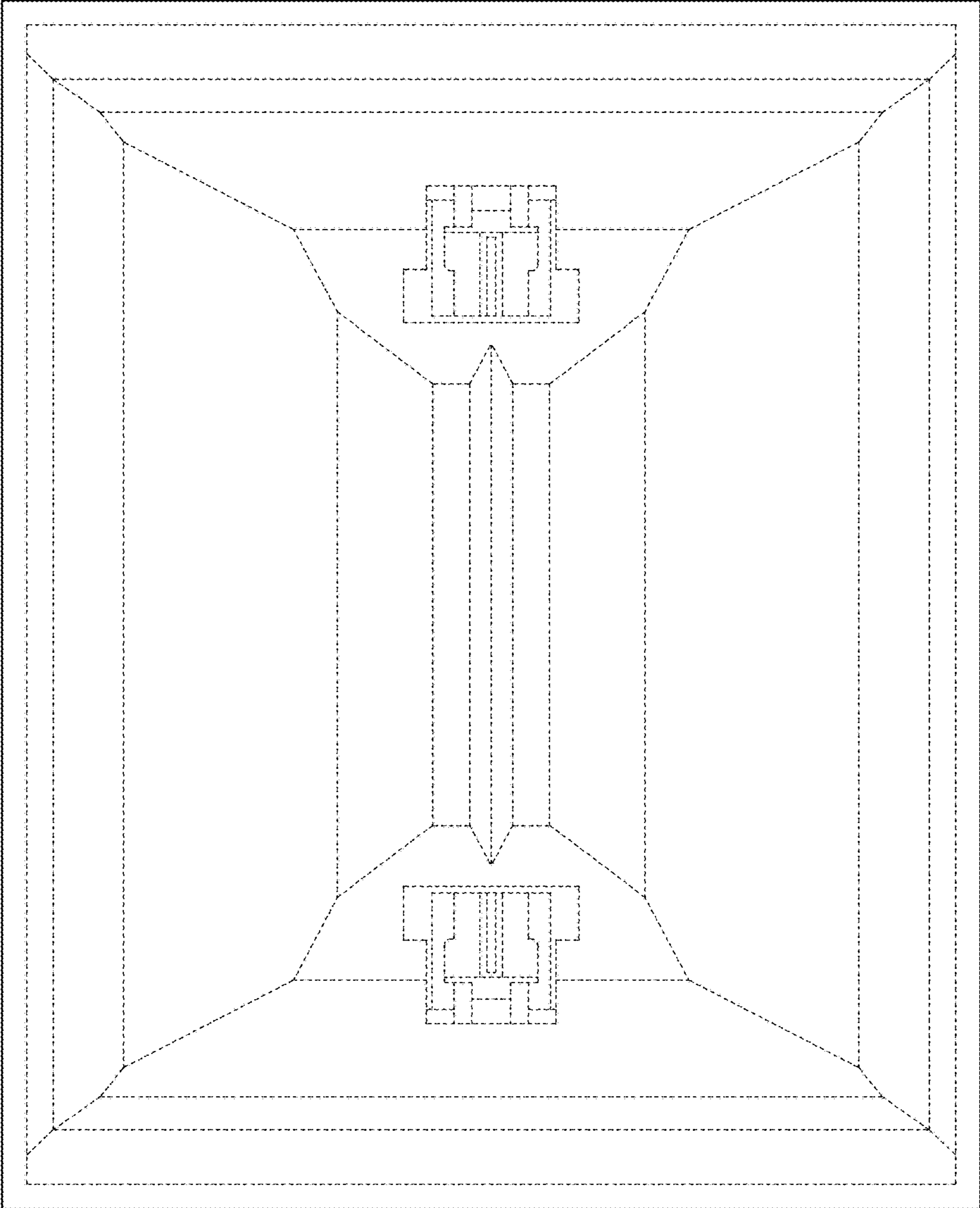


FIG. 8

