



US00D786490S

(12) **United States Design Patent** (10) **Patent No.:** **US D786,490 S**  
**Stanley** (45) **Date of Patent:** **\*\* May 9, 2017**

(54) **LIGHT FIXTURE**

(71) Applicant: **IP Holdings, LLC**, Vancouver, WA (US)

(72) Inventor: **John Stanley**, Vancouver, WA (US)

(73) Assignee: **IP Holdings, LLC**, Vancouver, WA (US)

(\*\*) Term: **15 Years**

(21) Appl. No.: **29/578,431**

(22) Filed: **Sep. 21, 2016**

**Related U.S. Application Data**

(63) Continuation of application No. 29/522,849, filed on Apr. 2, 2015, now Pat. No. Des. 770,079, which is a continuation-in-part of application No. 13/533,189, filed on Jun. 26, 2012, now Pat. No. 9,335,038.

(51) **LOC (10) Cl.** ..... **29-99**

(52) **U.S. Cl.**  
USPC ..... **D26/118**

(58) **Field of Classification Search**  
USPC ... D26/9, 10, 12, 13, 15, 16, 24, 51, 61, 72, D26/76, 80, 81, 85, 86, 88, 90, 113, 118, D26/119, 120, 122, 128, 129, 138, 143, D26/144  
CPC .... B60Q 1/04; B60Q 1/26; F21S 8/026; F21S 8/04; F21V 21/02; F21V 29/004; F21V 21/04; F21V 29/2212; F21V 7/22; F21V 29/83; F21V 37/002; F21V 7/00; F21L 19/00; F23D 11/443; F21Y 2101/02; A61L 9/037

See application file for complete search history.

(56) **References Cited**

**U.S. PATENT DOCUMENTS**

D428,516 S \* 7/2000 Reo ..... D26/118  
D447,272 S \* 8/2001 Smith ..... D26/118

D456,938 S \* 5/2002 Wardenburg ..... D26/118  
D543,652 S \* 5/2007 Hargreaves ..... D26/118  
D544,995 S \* 6/2007 Hargreaves ..... D26/118  
D545,484 S \* 6/2007 Hargreaves ..... D26/118  
D545,485 S \* 6/2007 Hargreaves ..... D26/118  
D614,801 S \* 4/2010 Collins ..... D26/118  
D634,060 S \* 3/2011 Wardenburg ..... D26/118  
D634,469 S \* 3/2011 Hargreaves ..... D26/118  
D675,369 S \* 1/2013 Michaud ..... D26/118  
D693,959 S \* 11/2013 Boyer ..... D26/118

(Continued)

*Primary Examiner* — Brian N Vinson

(74) *Attorney, Agent, or Firm* — J. Douglas Wells

(57) **CLAIM**

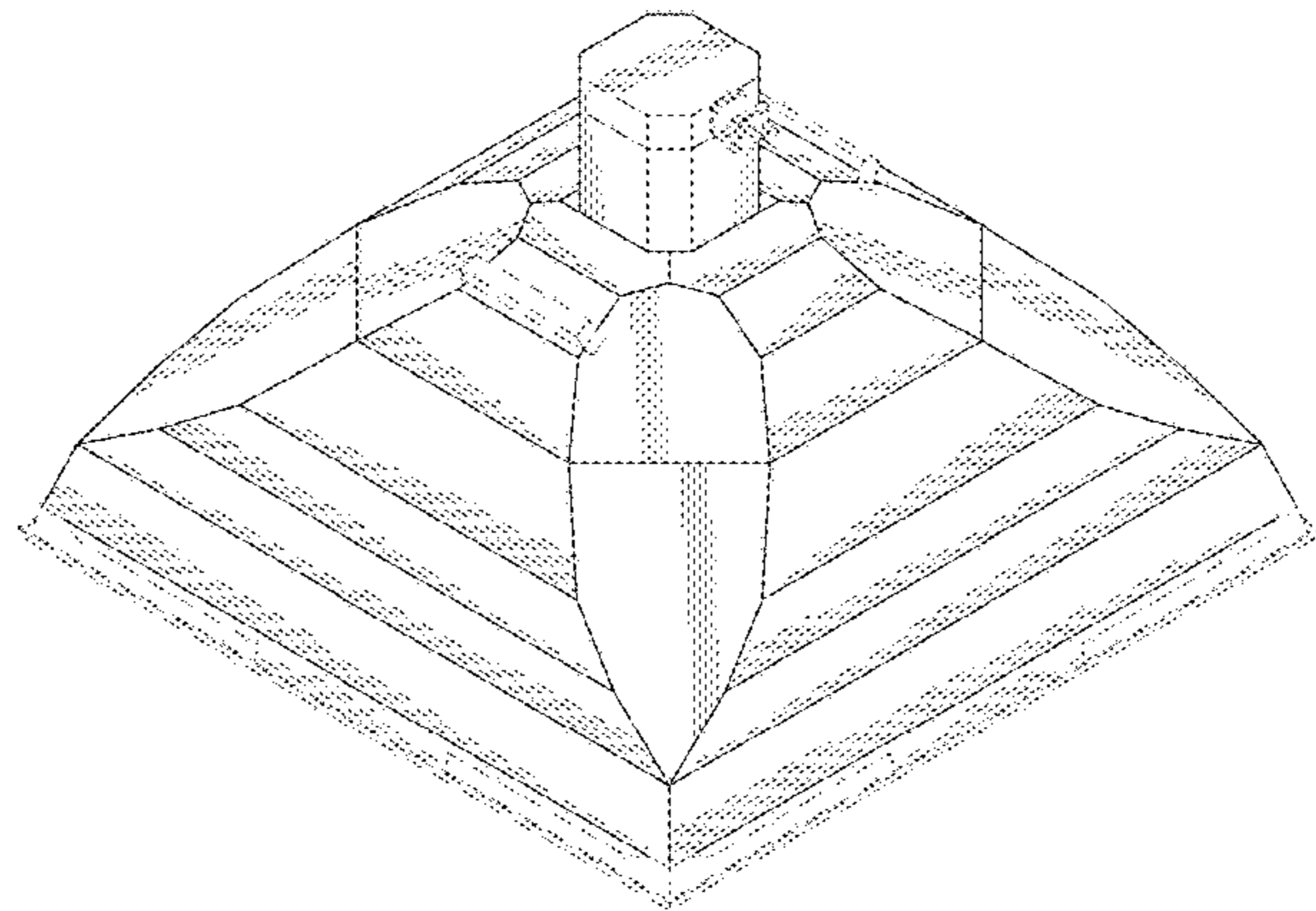
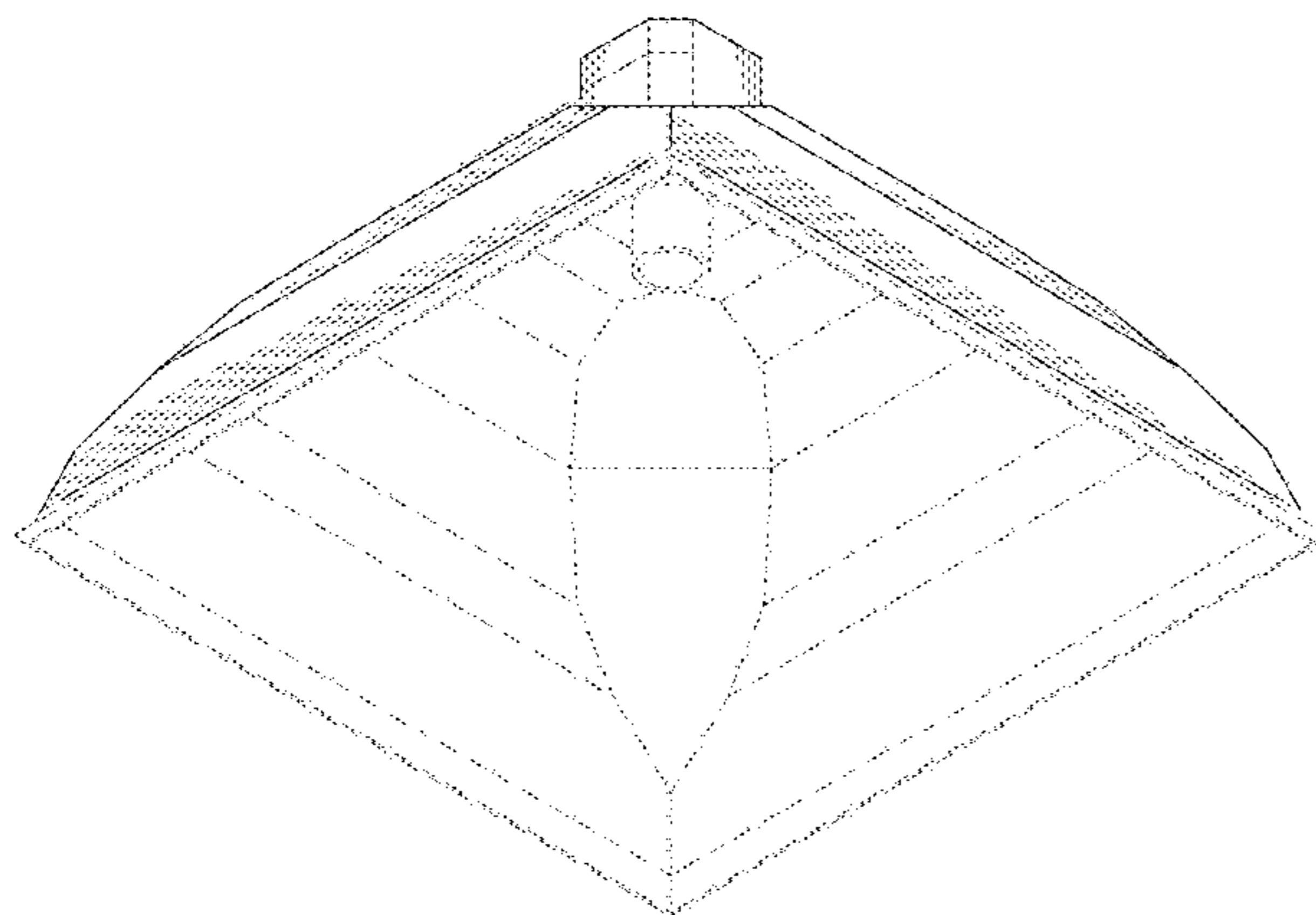
The ornamental design for a light fixture, as shown and described.

**DESCRIPTION**

FIG. 1 is a perspective view of a light fixture, as viewed from below, showing my new design;  
FIG. 2 is a perspective view of the light fixture shown in FIG. 1, as viewed from above;  
FIG. 3 is a left side view of the light fixture shown in FIG. 1;  
FIG. 4 is a right side view of the light fixture shown in FIG. 1;  
FIG. 5 is a front elevation view of the light fixture shown in FIG. 1;  
FIG. 6 is a rear elevation view of the light fixture shown in FIG. 1;  
FIG. 7 is a top plan view of the light fixture shown in FIG. 1; and,  
FIG. 8 is a bottom plan view of the light fixture shown in FIG. 1.

The broken-line disclosure shown in the views is understood to represent portions of the article in which the claimed design is embodied, but which form no part of the claimed design.

**1 Claim, 6 Drawing Sheets**



(56)

**References Cited**

U.S. PATENT DOCUMENTS

D698,986 S *	2/2014	Reynolds .....	D26/118
8,905,575 B2 *	12/2014	Durkee .....	F21V 7/0008
			362/218
D731,701 S *	6/2015	Hargreaves .....	D26/118
D732,235 S *	6/2015	Reynolds .....	D26/118
D732,236 S *	6/2015	Reynolds .....	D26/118
D736,450 S *	8/2015	Reynolds .....	D26/118
D740,486 S *	10/2015	Stanley .....	D26/118
D747,029 S *	1/2016	Reynolds .....	D26/118
D748,849 S *	2/2016	Stanley .....	D26/118
D750,316 S *	2/2016	Reynolds .....	D26/118
D751,244 S *	3/2016	Reynolds .....	D26/118
D751,247 S *	3/2016	Reynolds .....	D26/118

\* cited by examiner

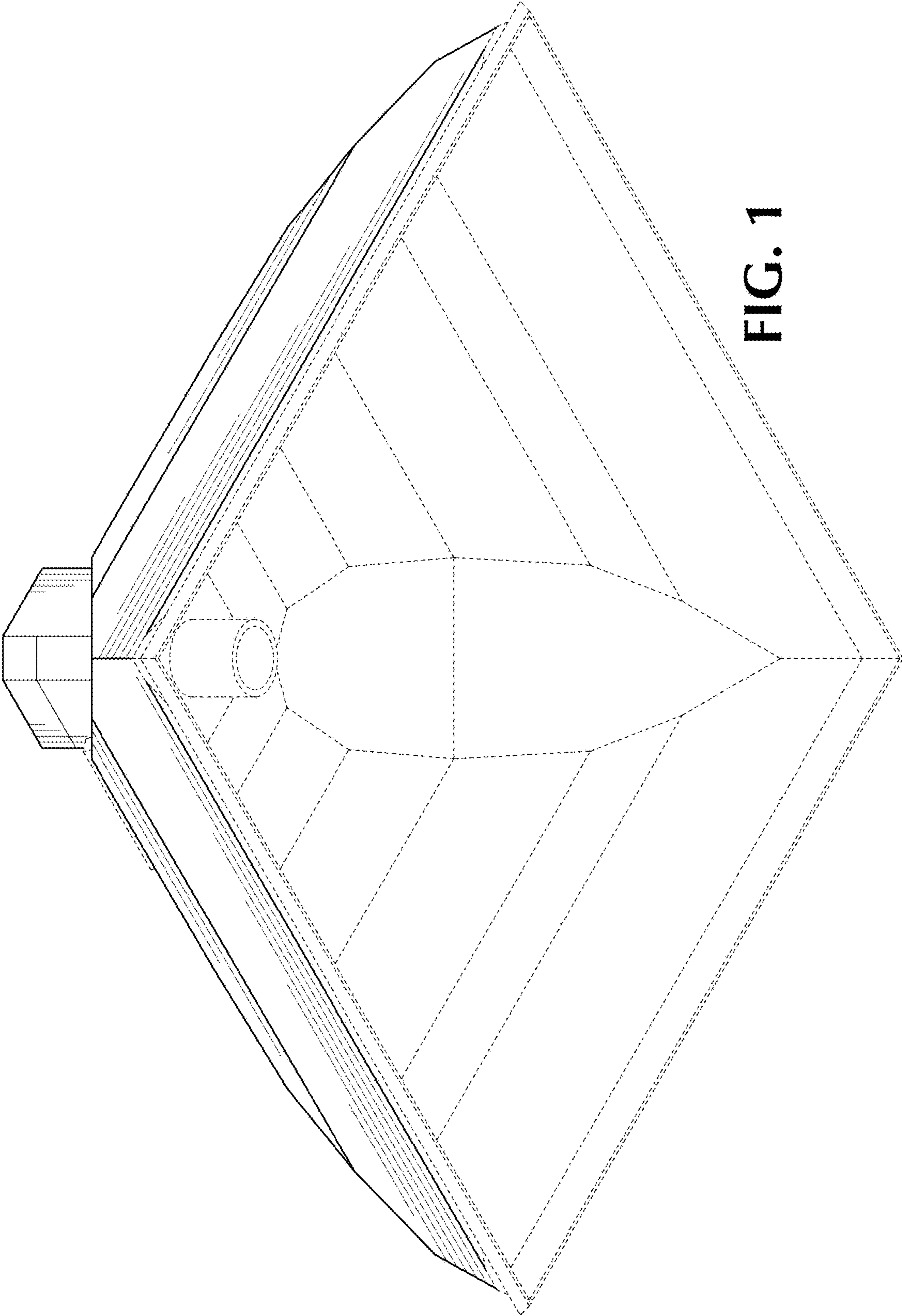


FIG. 1



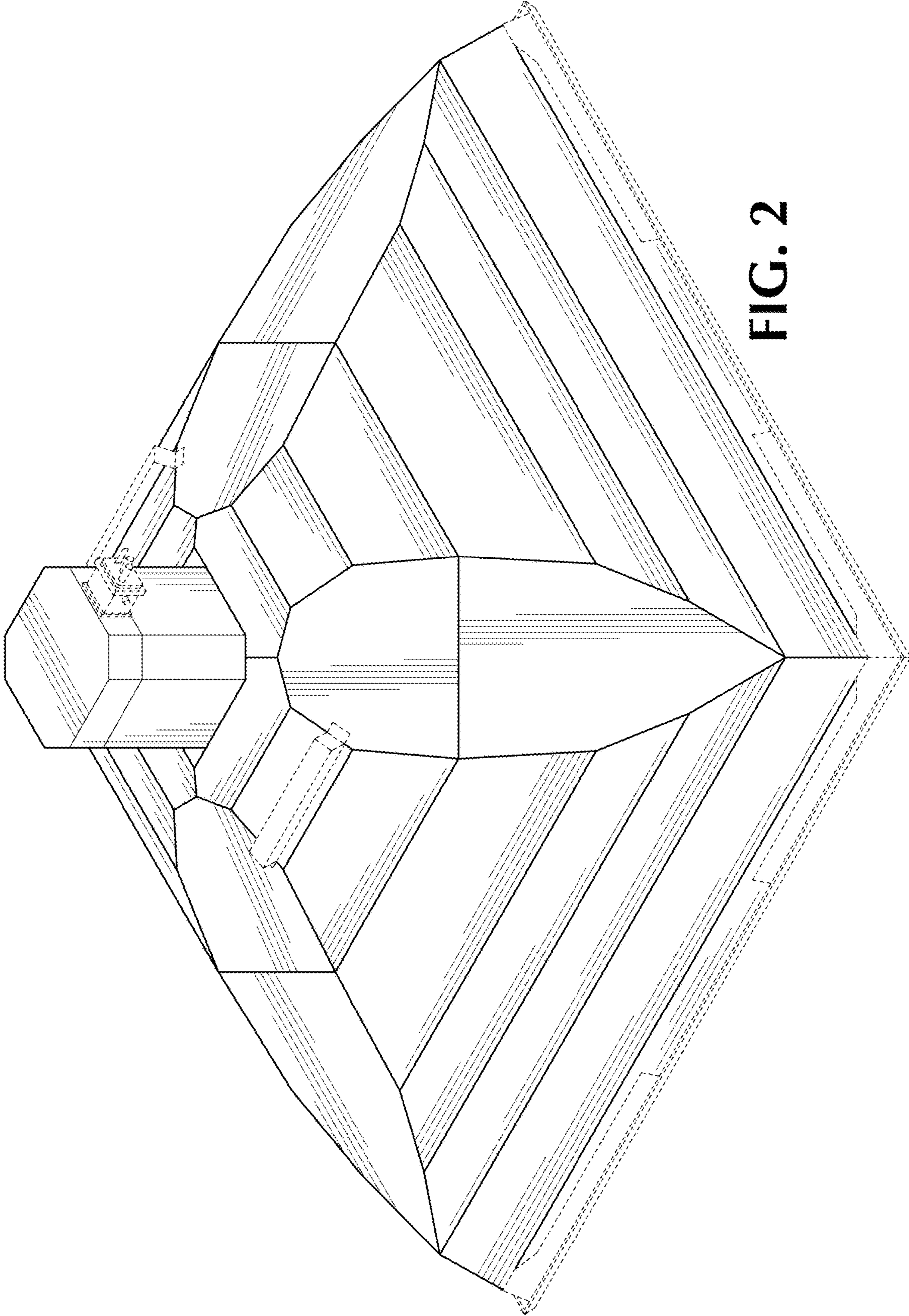
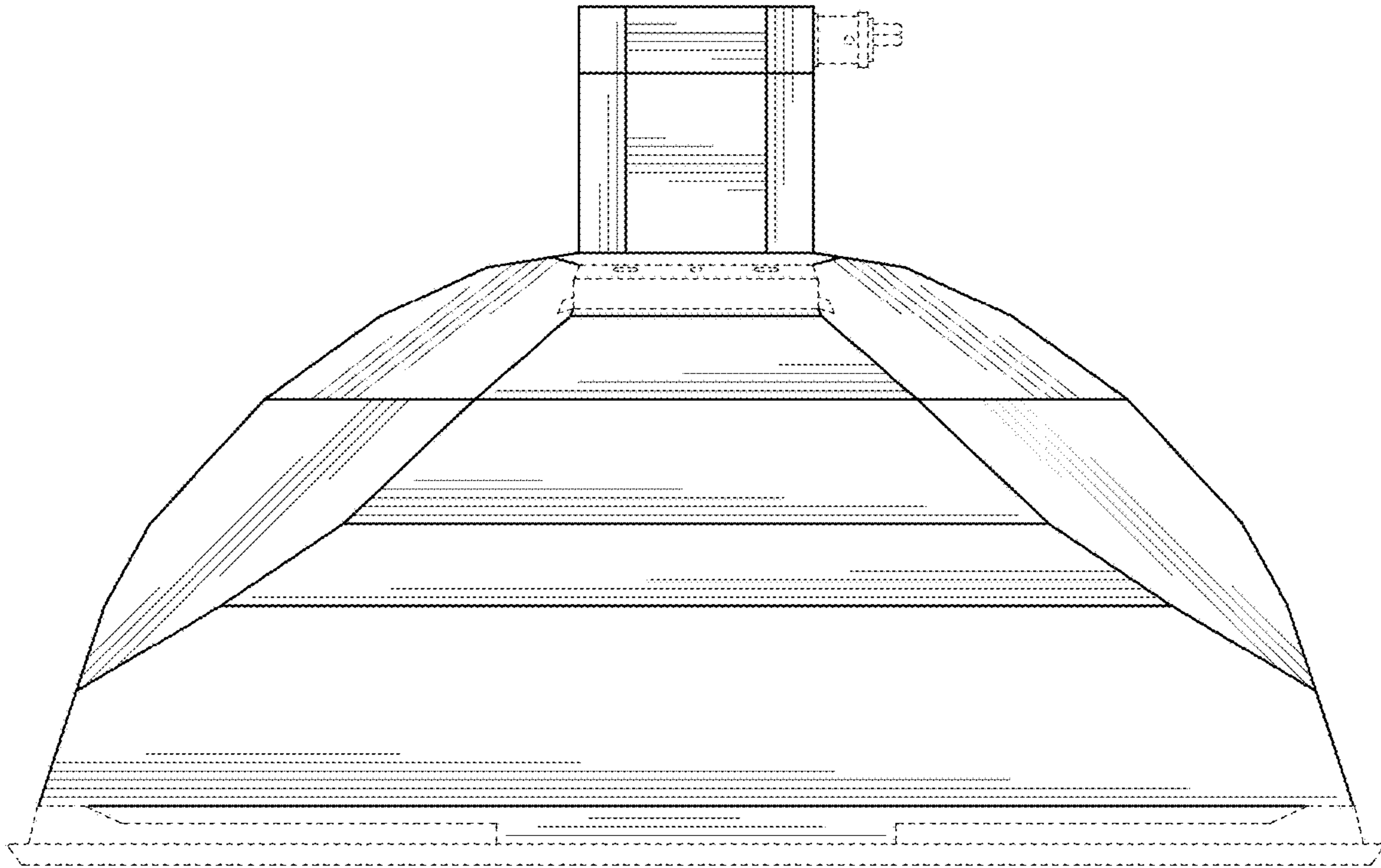
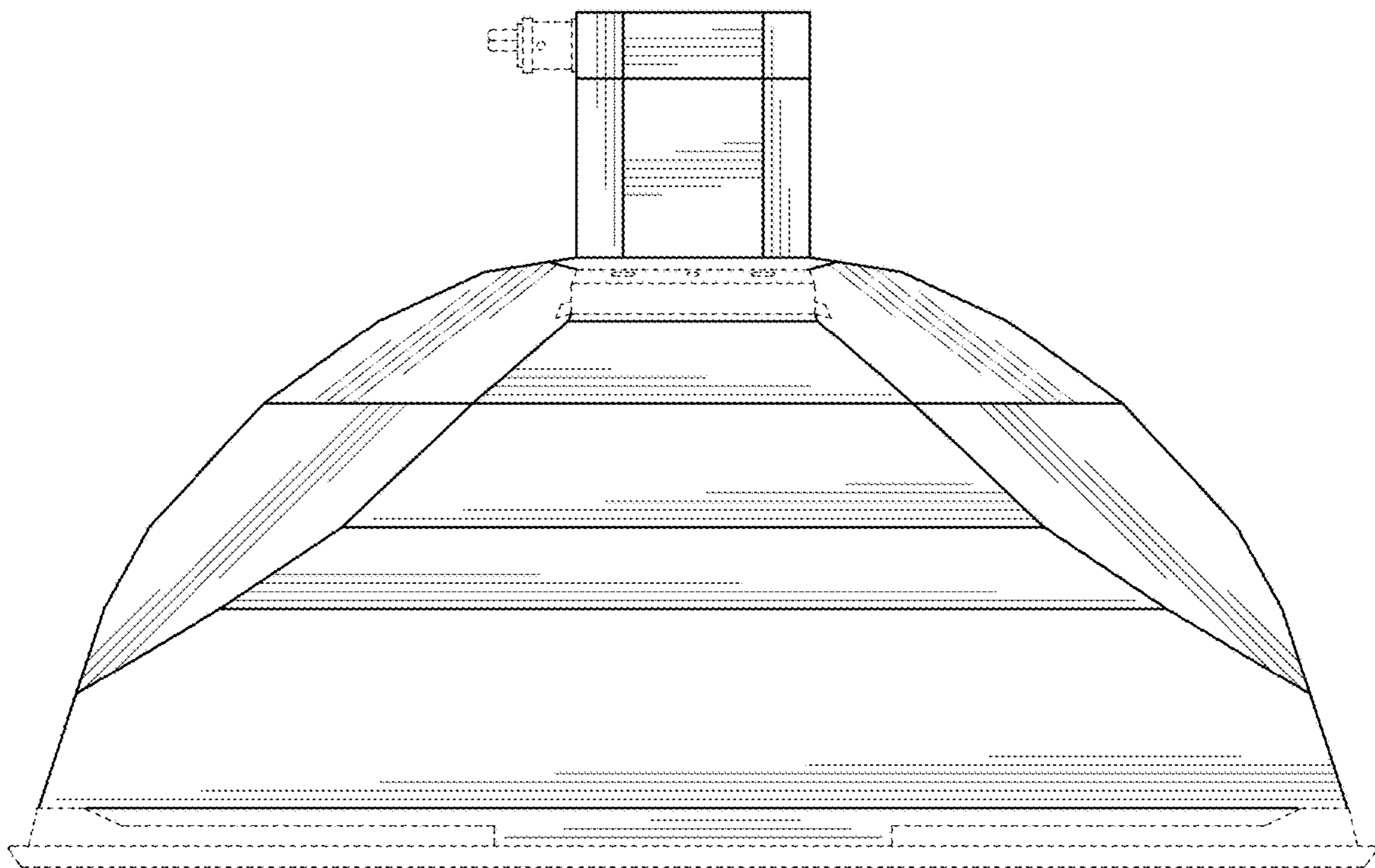


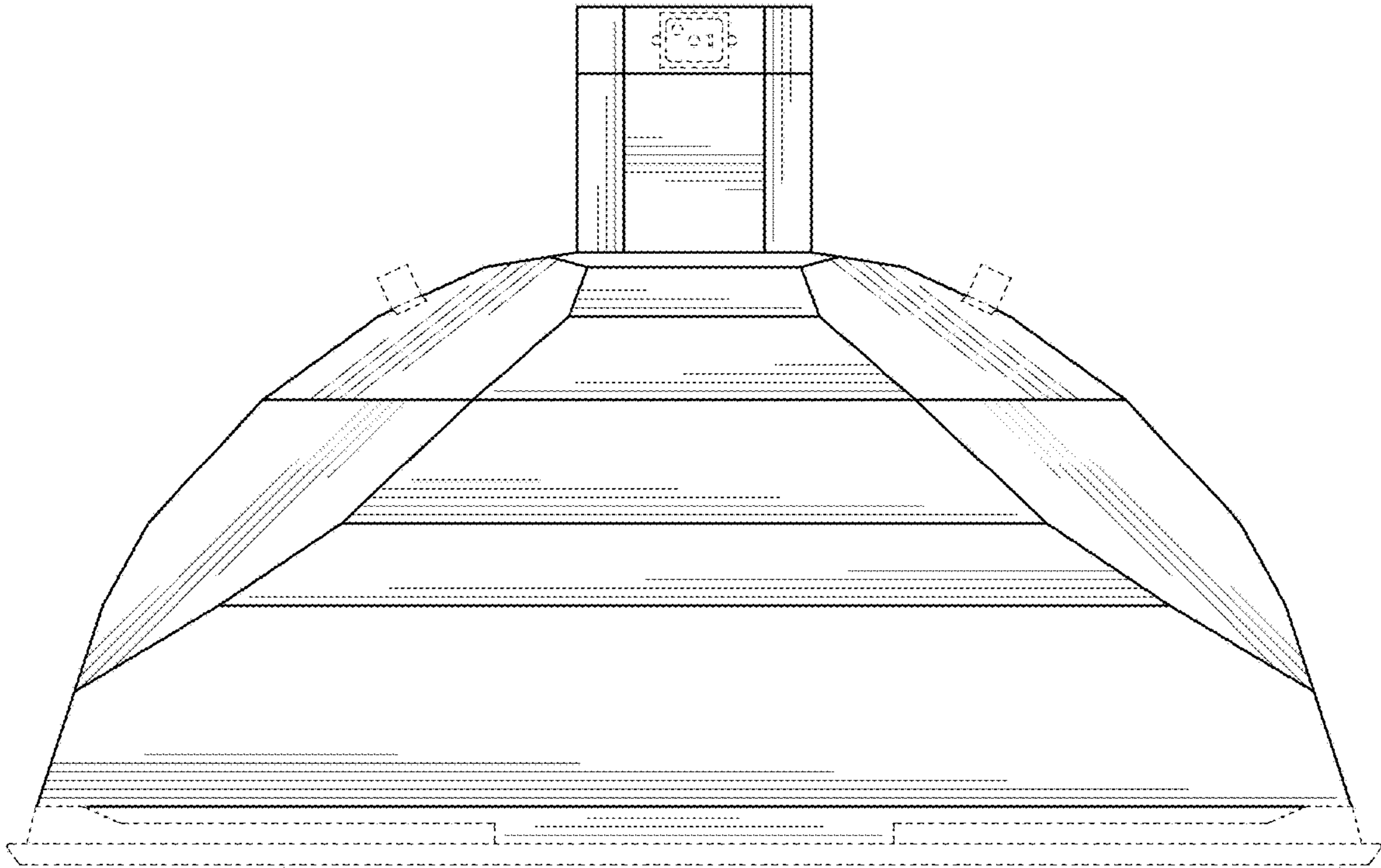
FIG. 2



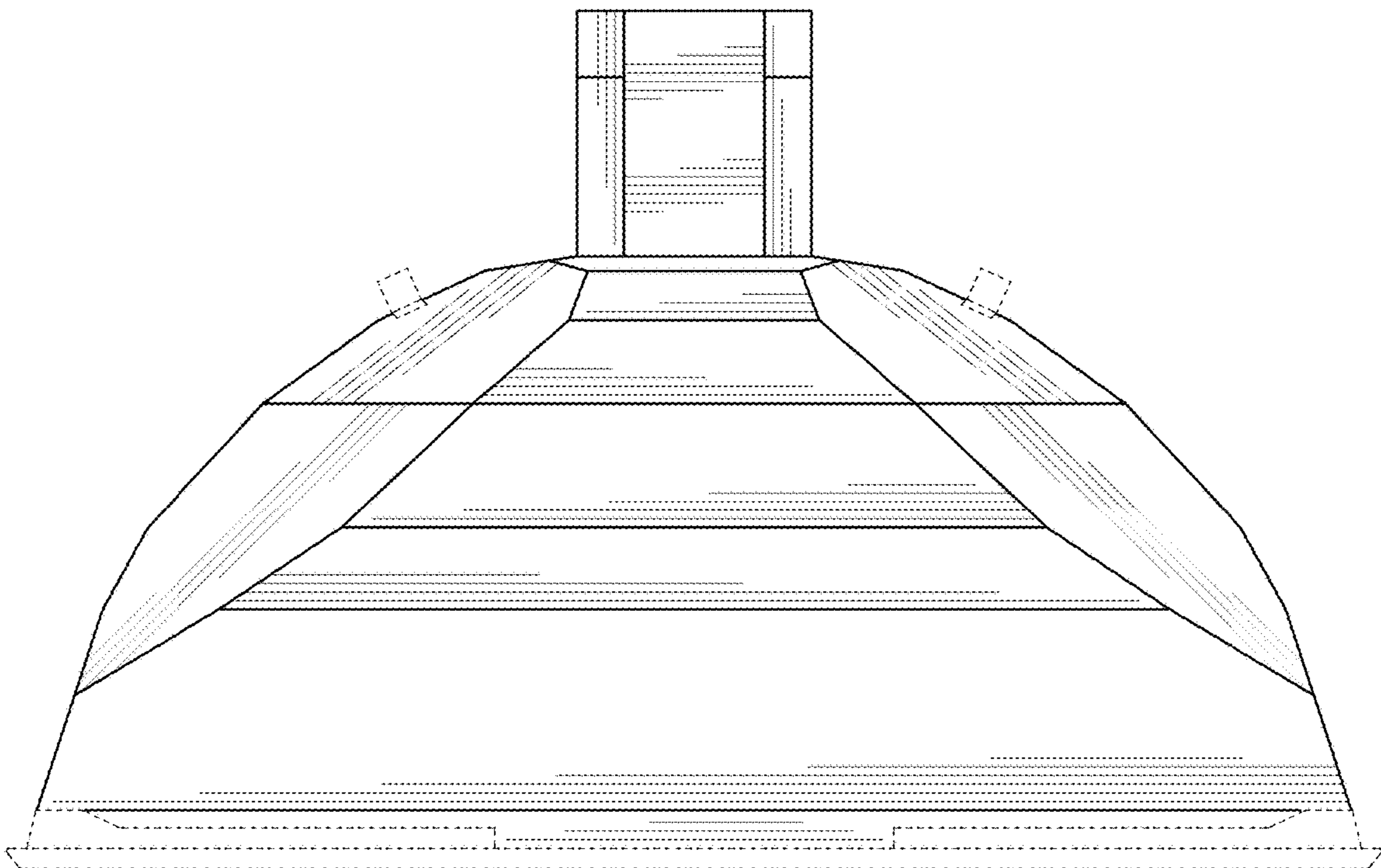
**FIG. 3**



**FIG. 4**



**FIG. 5**



**FIG. 6**



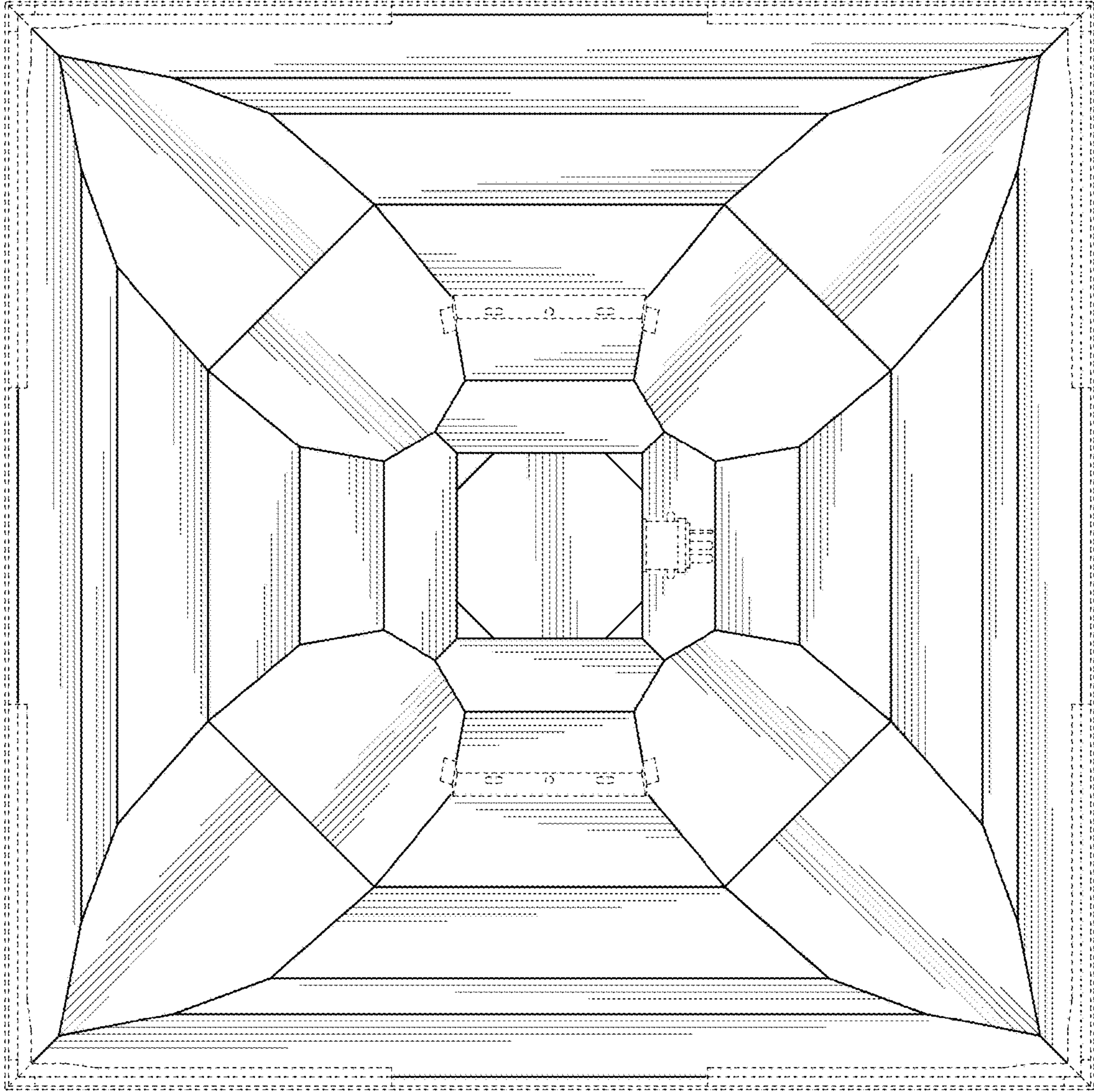
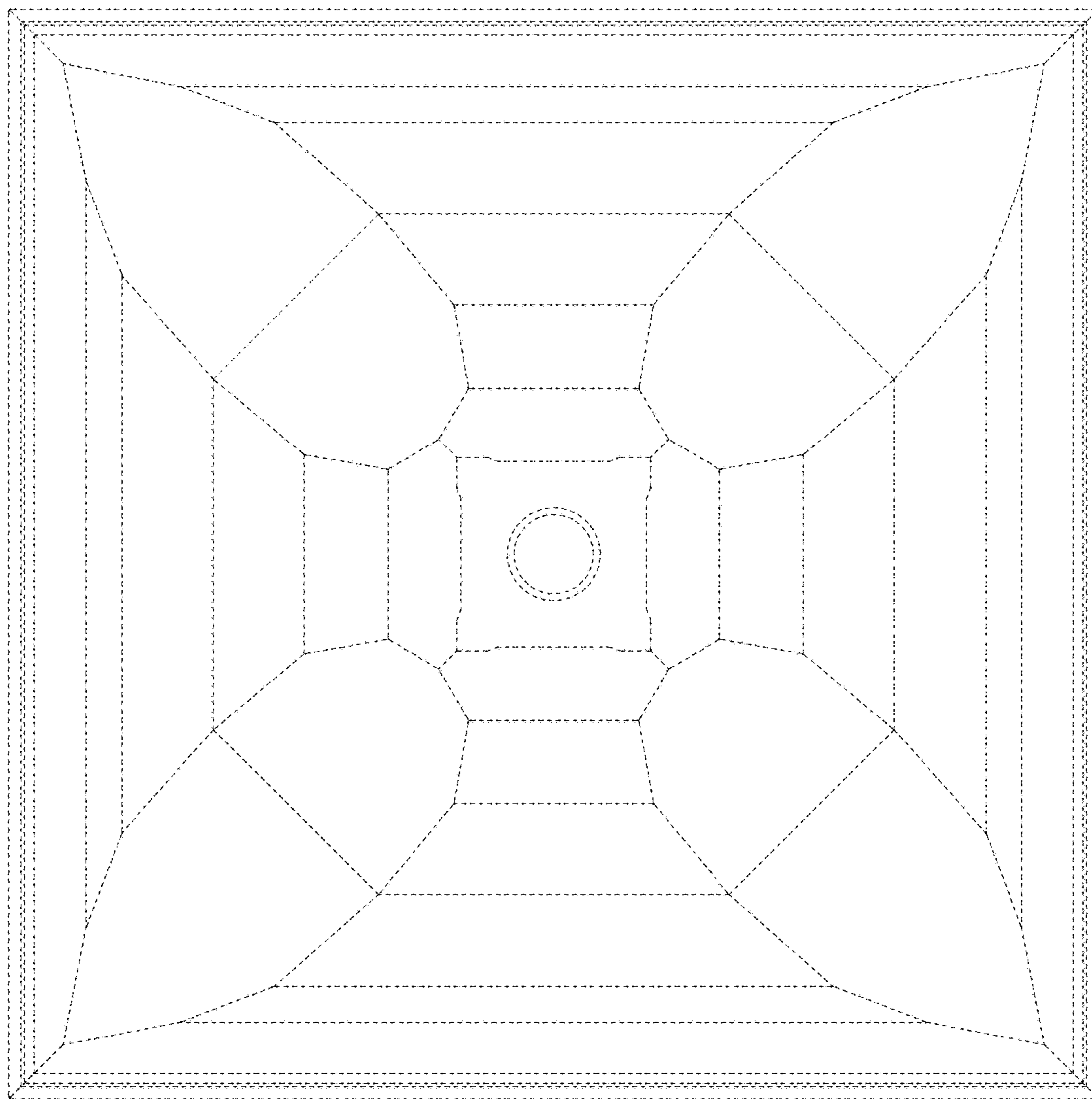


FIG. 7



**FIG. 8**