



US00D786489S

(12) **United States Design Patent** (10) **Patent No.:** **US D786,489 S**
Stanley (45) **Date of Patent:** **** May 9, 2017**

(54) **HORTICULTURE GROW LIGHT**
(71) Applicant: **IP Holdings, LLC**, Vancouver, WA (US)
(72) Inventor: **John Stanley**, Vancouver, WA (US)
(73) Assignee: **IP Holdings, LLC**, Vancouver, WA (US)
(**) Term: **15 Years**
(21) Appl. No.: **29/578,401**
(22) Filed: **Sep. 21, 2016**

Related U.S. Application Data

(63) Continuation of application No. 29/523,707, filed on Apr. 13, 2015, now Pat. No. Des. 773,107.
(51) **LOC (10) Cl.** **29-99**
(52) **U.S. Cl.**
USPC **D26/118**
(58) **Field of Classification Search**
USPC ... D26/9, 10, 12, 13, 15, 16, 24, 51, 61, 72, D26/76, 80, 81, 85, 86, 88, 90, 113, 118, D26/119, 120, 122, 128, 129, 138, 143, D26/144
CPC B60Q 1/04; B60Q 1/26; F21S 8/026; F21S 8/04; F21V 21/02; F21V 29/004; F21V 21/04; F21V 29/2212; F21V 7/22; F21V 29/83; F21V 37/002; F21V 7/00; F21L 19/00; F23D 11/443; F21Y 2101/02; A61L 9/037
See application file for complete search history.

(56) **References Cited**

U.S. PATENT DOCUMENTS

D428,516 S * 7/2000 Reo D26/118
D447,272 S * 8/2001 Smith D26/118
D456,938 S * 5/2002 Wardenburg D26/118

D543,652 S * 5/2007 Hargreaves D26/118
D544,995 S * 6/2007 Hargreaves D26/118
D545,484 S * 6/2007 Hargreaves D26/118
D545,485 S * 6/2007 Hargreaves D26/118
D614,801 S * 4/2010 Collins D26/118
D634,060 S * 3/2011 Wardenburg D26/118
D634,469 S * 3/2011 Hargreaves D26/118
D675,369 S * 1/2013 Michaud D26/118
D693,959 S * 11/2013 Boyer D26/118
D698,986 S * 2/2014 Reynolds D26/118
D707,385 S * 6/2014 Wardenburg D26/118

(Continued)

Primary Examiner — Brian N Vinson

(74) *Attorney, Agent, or Firm* — J. Douglas Wells

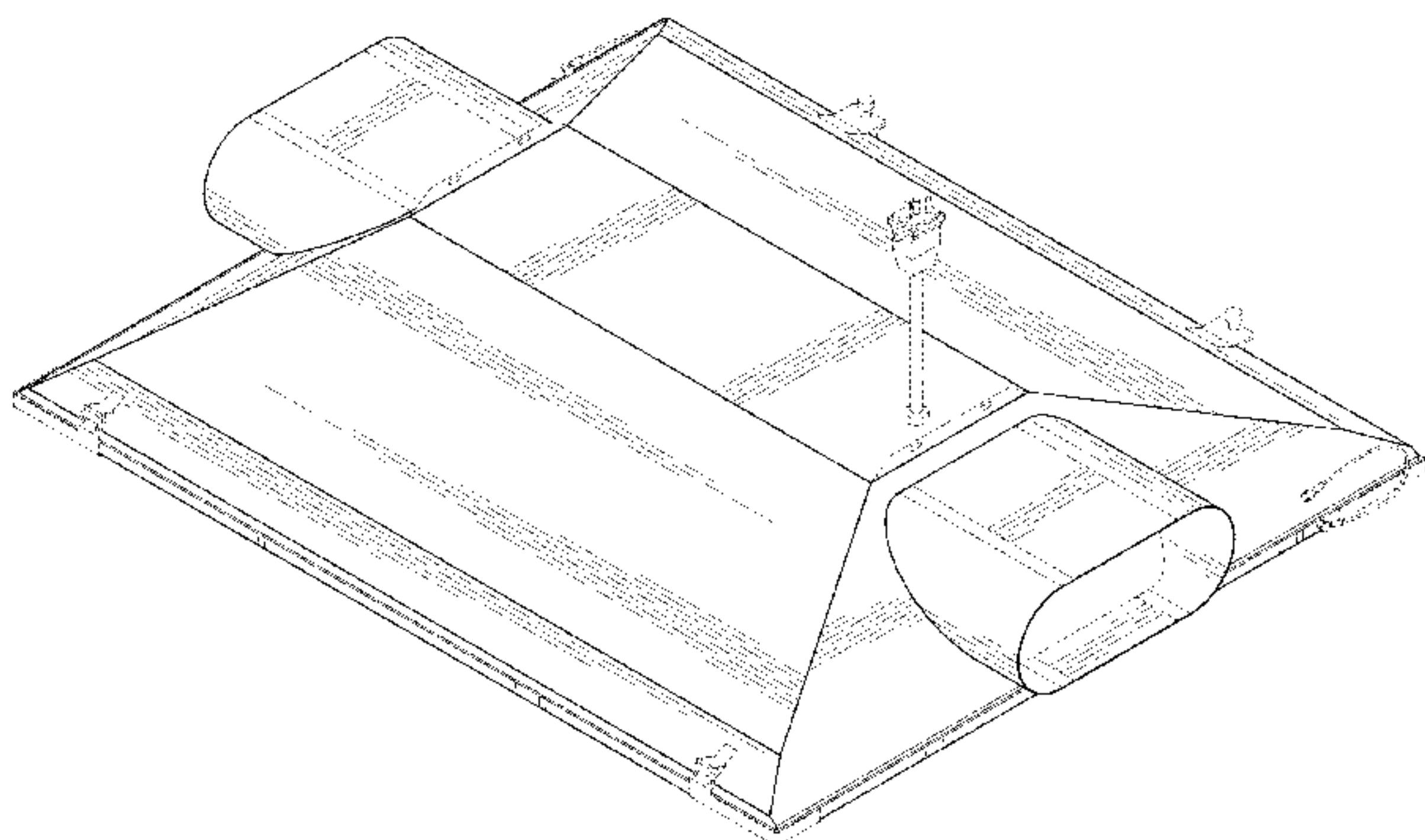
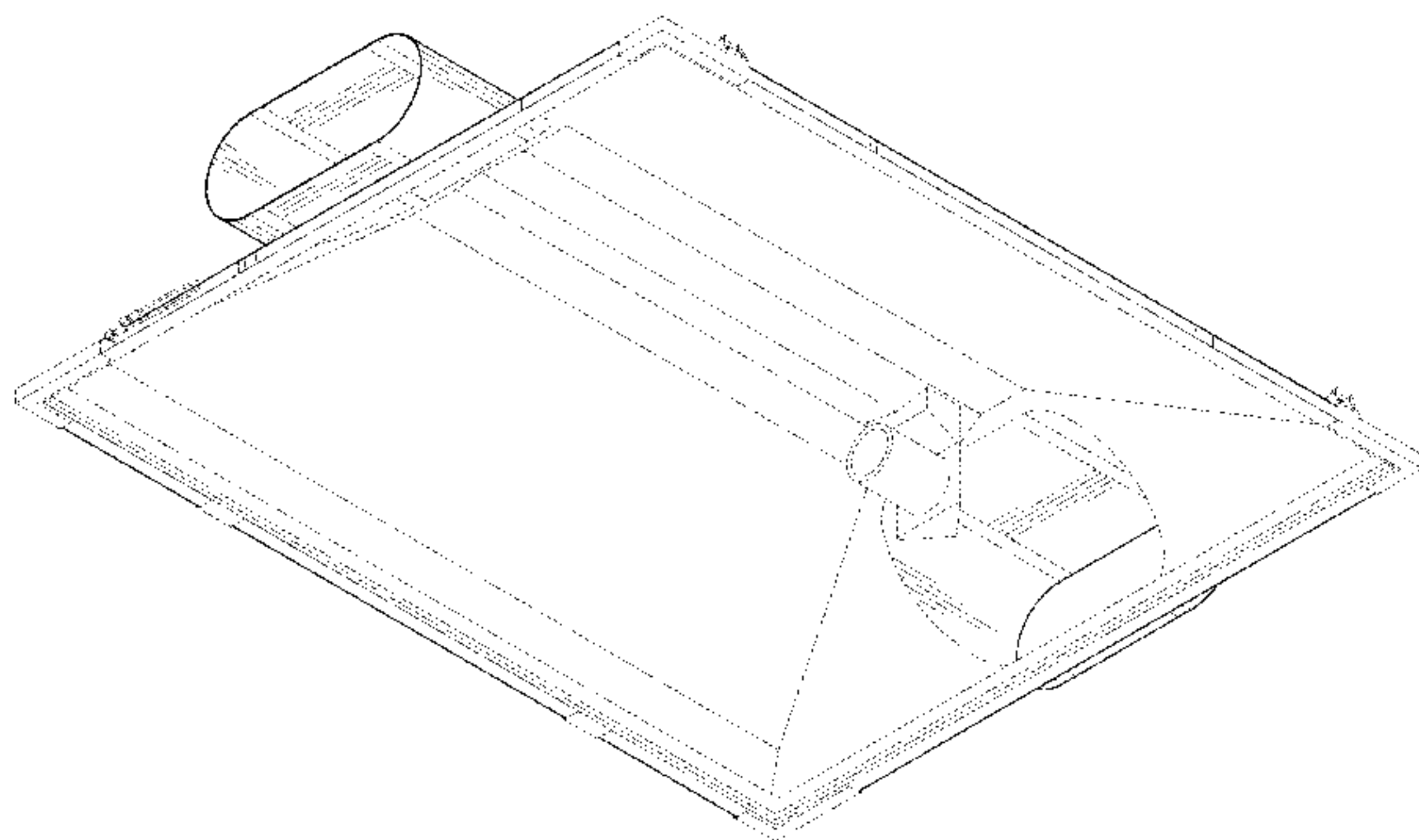
(57) **CLAIM**

The ornamental design for a horticulture grow light, as shown and described.

DESCRIPTION

FIG. 1 is a perspective view of a horticulture grow light, as viewed from below, showing my new design;
FIG. 2 is a perspective view of the horticulture grow light shown in FIG. 1, as viewed from above;
FIG. 3 is a left side view of the horticulture grow light shown in FIG. 1;
FIG. 4 is a right side view of the horticulture grow light shown in FIG. 1;
FIG. 5 is a front elevation view of the horticulture grow light shown in FIG. 1;
FIG. 6 is a rear elevation view of the horticulture grow light shown in FIG. 1;
FIG. 7 is a top plan view of the horticulture grow light shown in FIG. 1; and,
FIG. 8 is a bottom plan view of the horticulture grow light shown in FIG. 1.
The broken-line disclosure shown in the views is understood to represent portions of the article in which the claimed design is embodied, but which form no part of the claimed design.

1 Claim, 6 Drawing Sheets



(56)

References Cited

U.S. PATENT DOCUMENTS

8,905,575	B2 *	12/2014	Durkee	F21V 7/0008	
						362/218
D731,701	S *	6/2015	Hargreaves	D26/118	
D732,235	S *	6/2015	Reynolds	D26/118	
D732,236	S *	6/2015	Reynolds	D26/118	
D736,450	S *	8/2015	Reynolds	D26/118	
D740,486	S *	10/2015	Stanley	D26/118	
D747,029	S *	1/2016	Reynolds	D26/118	
D748,849	S *	2/2016	Stanley	D26/118	
D750,316	S *	2/2016	Reynolds	D26/118	
D751,244	S *	3/2016	Reynolds	D26/118	
D751,247	S *	3/2016	Reynolds	D26/118	

* cited by examiner

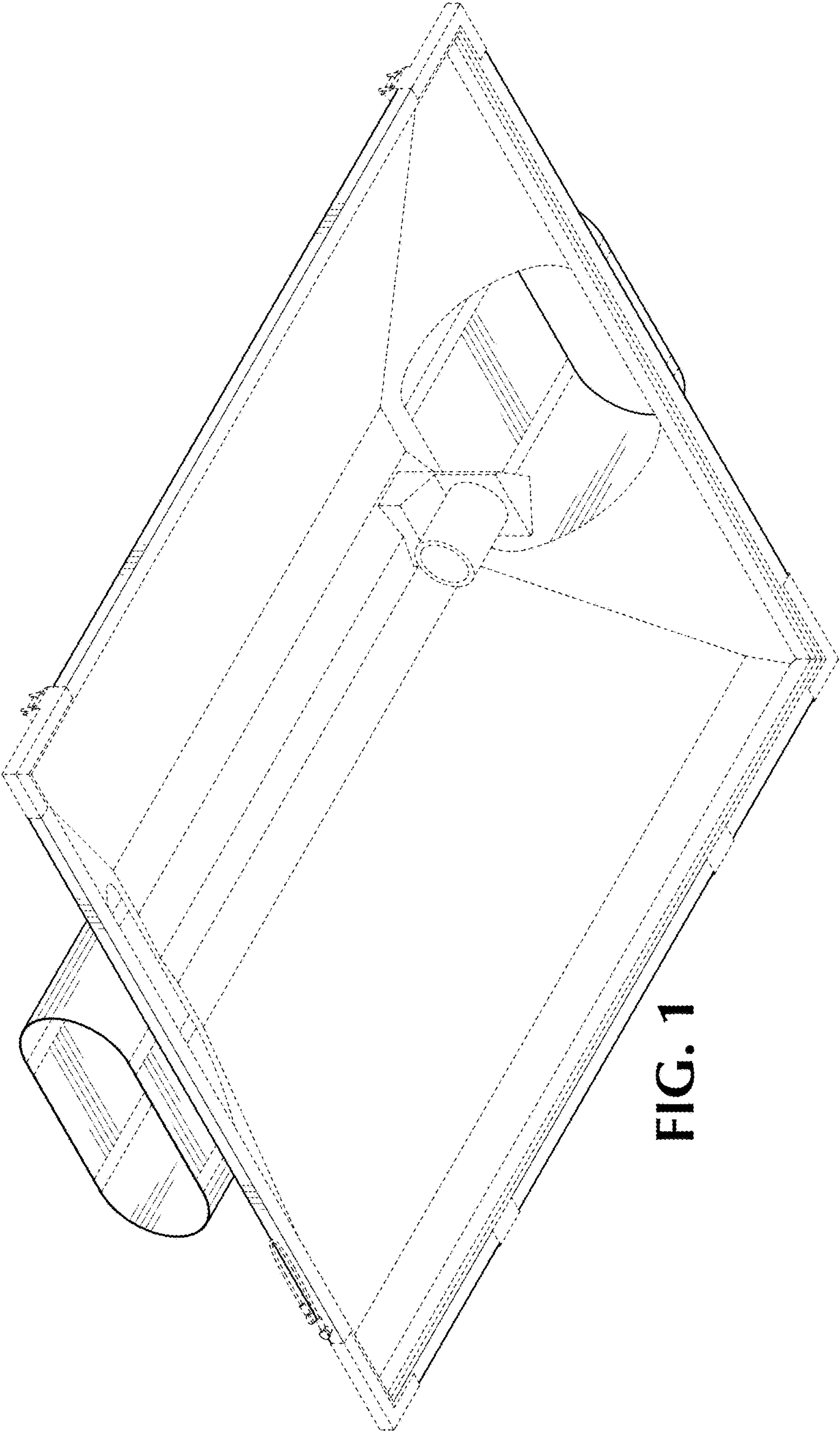


FIG. 1

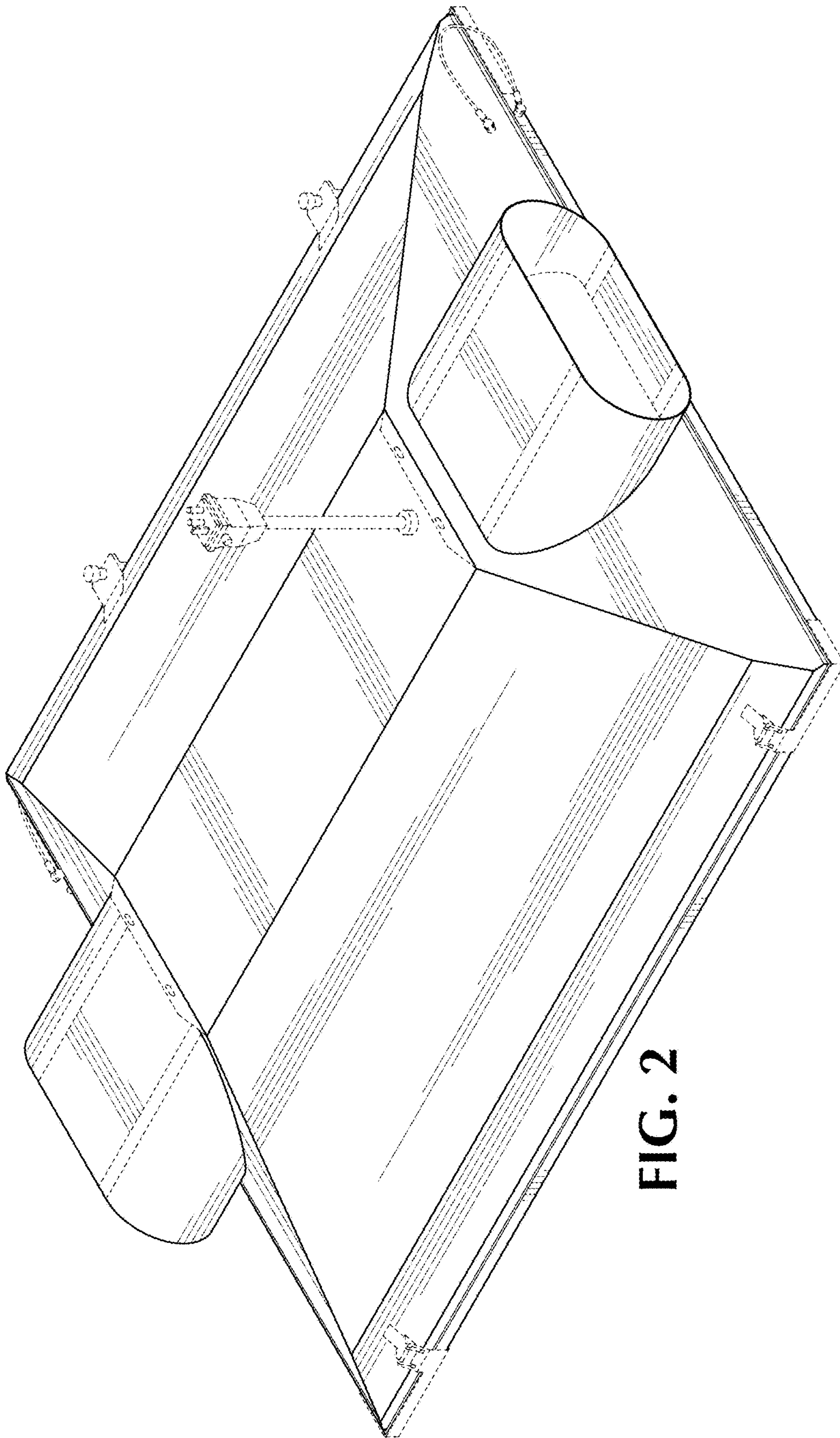


FIG. 2

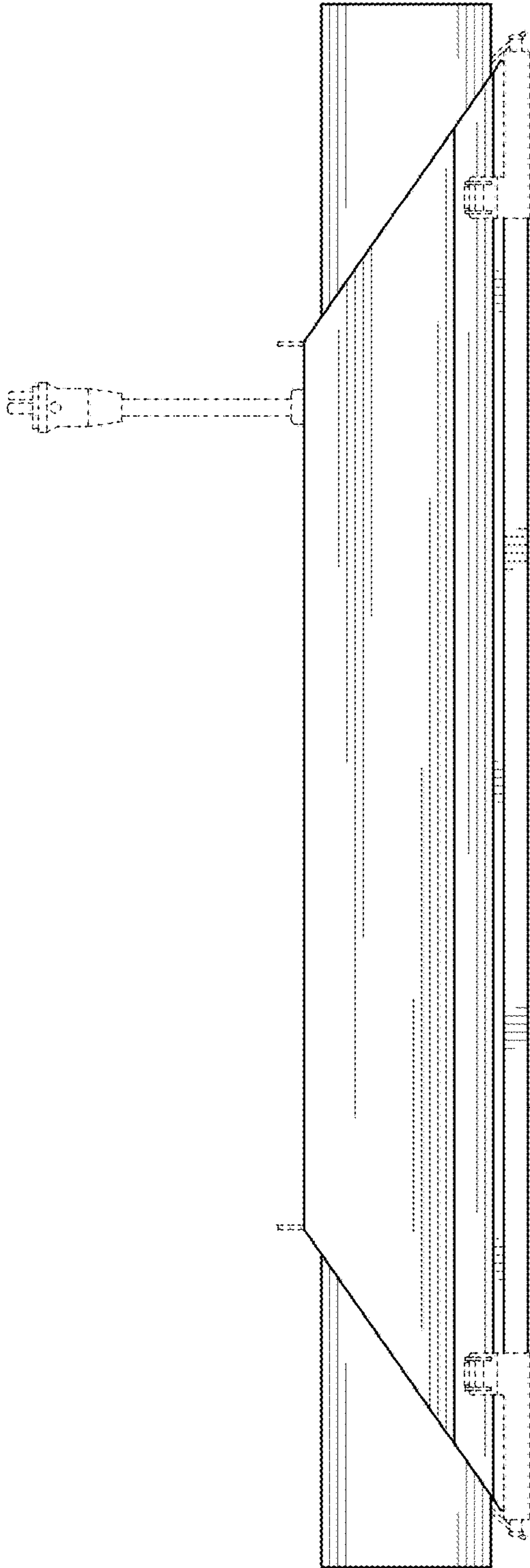


FIG. 3



FIG. 4

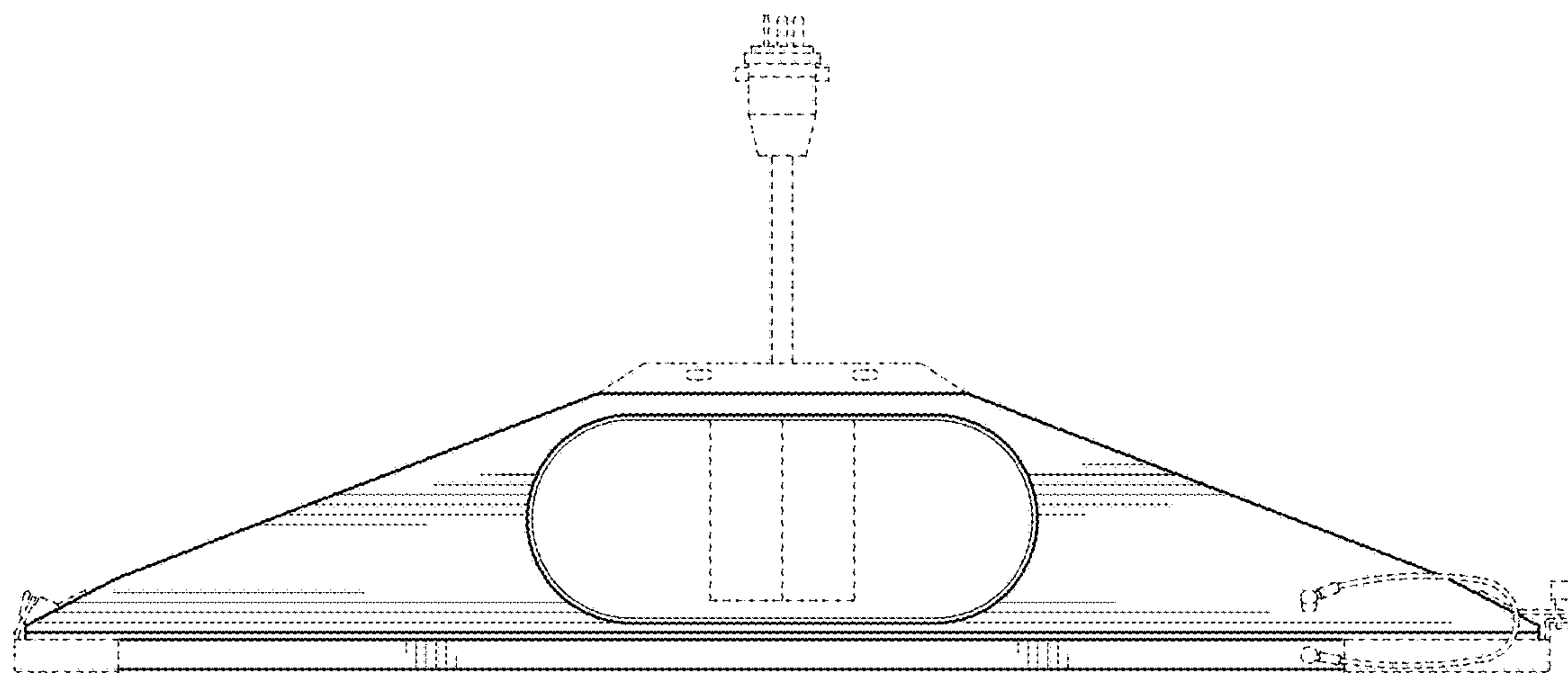


FIG. 5

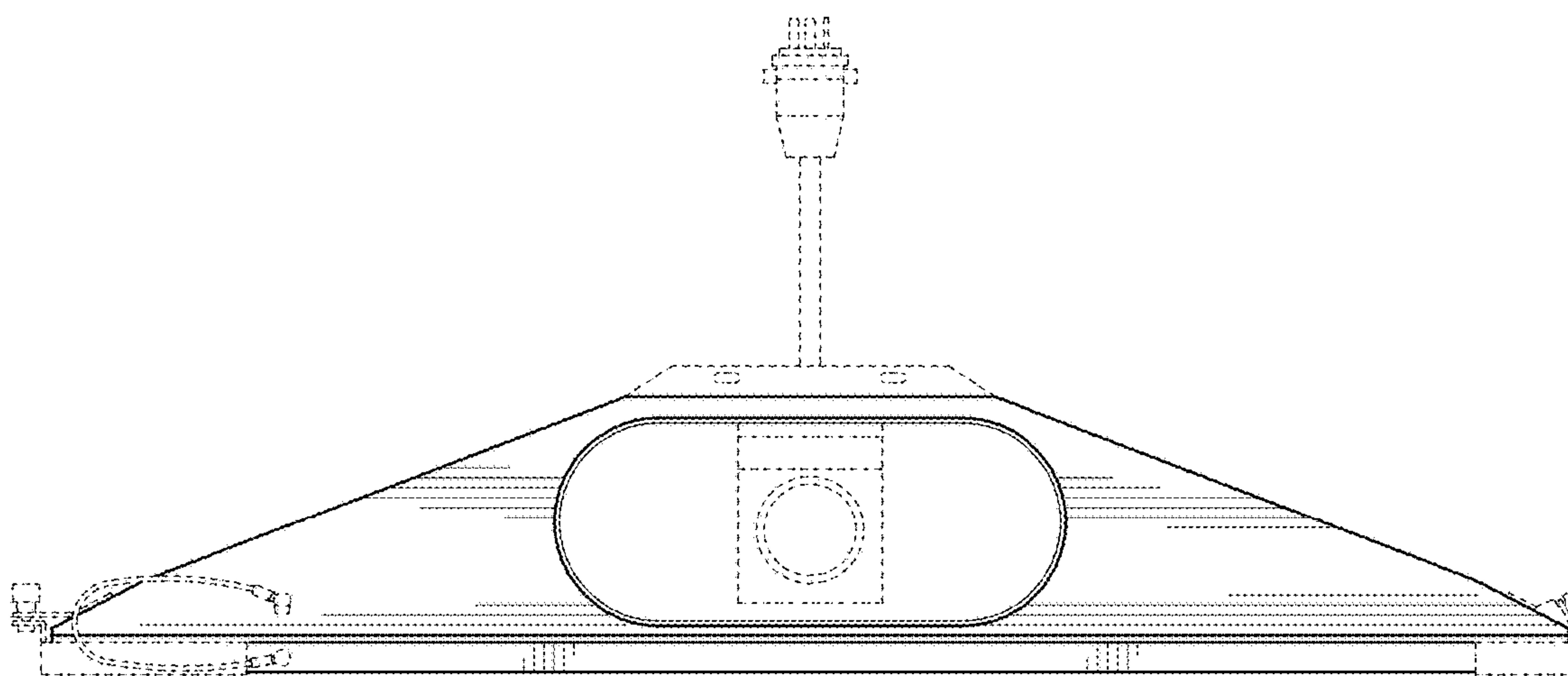
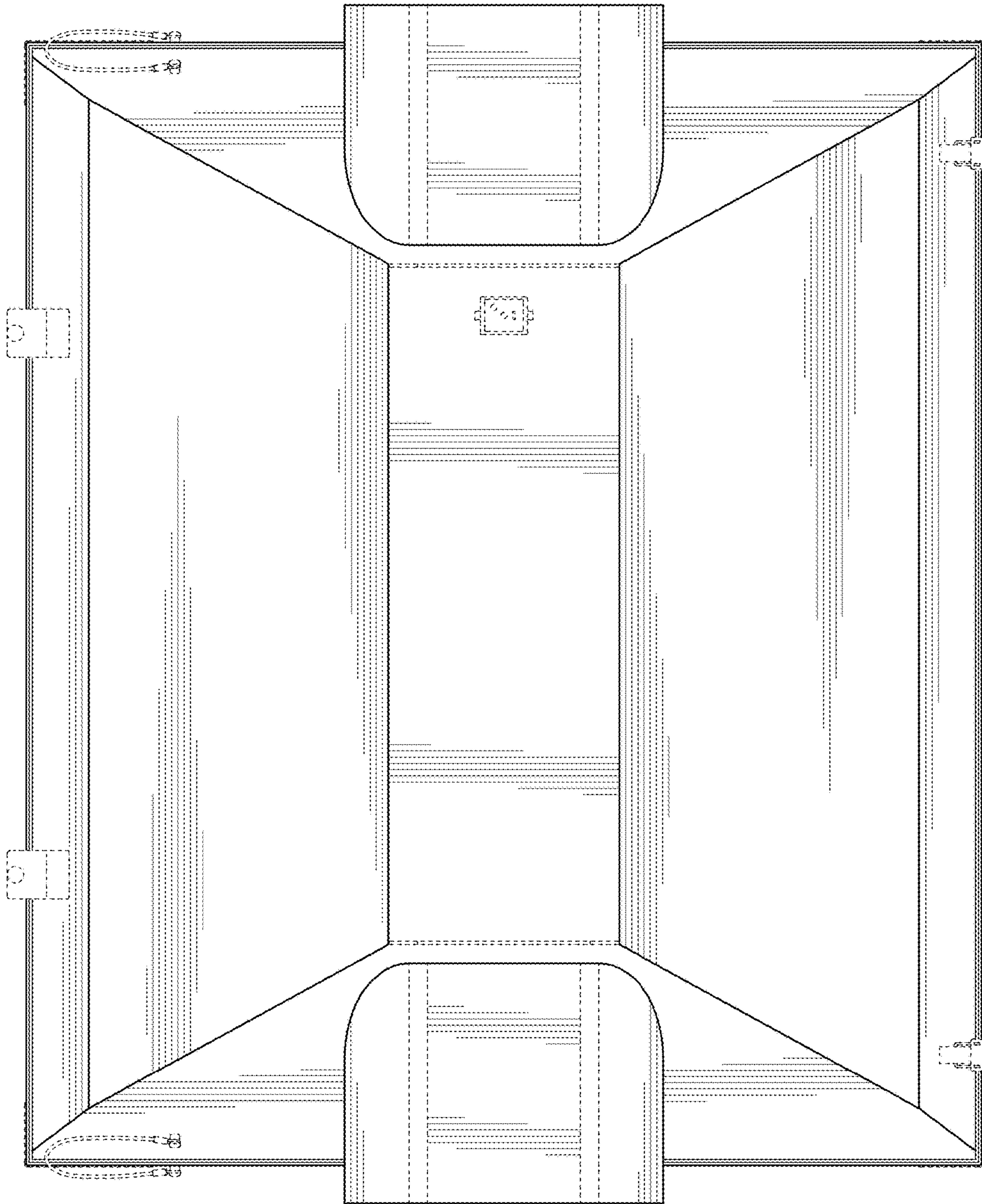


FIG. 6

FIG. 7



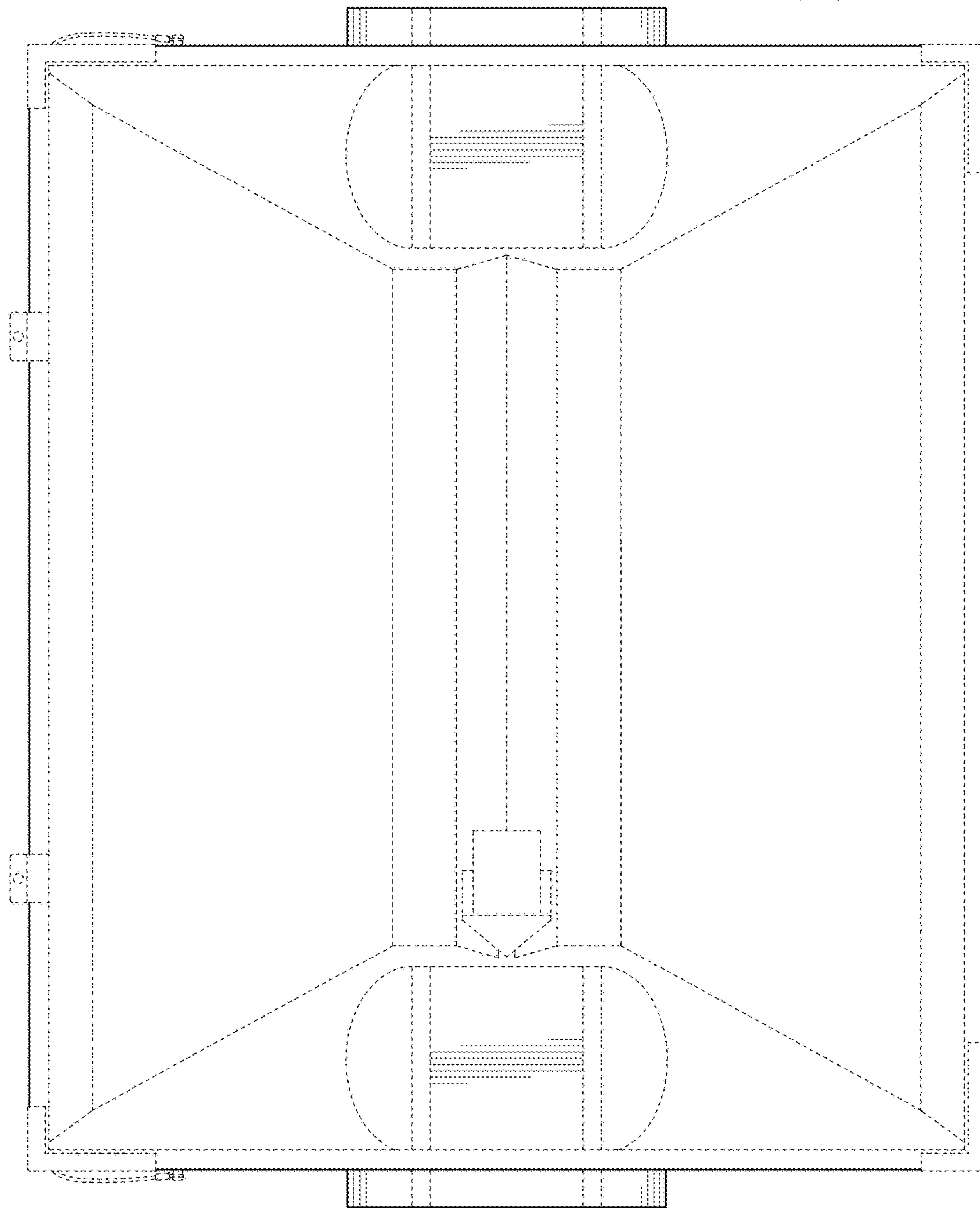


FIG. 8