



US00D786486S

(12) **United States Design Patent**
Reynolds

(10) **Patent No.:** **US D786,486 S**

(45) **Date of Patent:** **** May 9, 2017**

(54) **HORTICULTURE GROW LIGHT**

(71) Applicant: **IP Holdings, LLC**, Vancouver, WA
(US)

(72) Inventor: **Christopher Reynolds**, Vancouver, WA
(US)

(73) Assignee: **IP Holdings, LLC**, Vancouver, WA
(US)

(**) Term: **15 Years**

(21) Appl. No.: **29/577,094**

(22) Filed: **Sep. 9, 2016**

Related U.S. Application Data

(63) Continuation of application No. 29/538,101, filed on
Sep. 1, 2015, now Pat. No. Des. 770,081.

(51) **LOC (10) Cl.** **29-99**

(52) **U.S. Cl.**
USPC **D26/118**

(58) **Field of Classification Search**

USPC ... D26/9, 10, 12, 13, 15, 16, 24, 51, 61, 72,
D26/76, 80, 81, 85, 86, 88, 90, 113, 118,
D26/119, 120, 122, 128, 129, 138, 143,
D26/144
CPC B60Q 1/04; B60Q 1/26; F21S 8/026; F21S
8/04; F21V 21/02; F21V 21/04; F21V
29/004; F21V 29/2212; F21V 7/22; F21V
29/83; F21V 37/002; F21V 7/00; F21L
19/00; F23D 11/443; F21Y 2101/02;
A61L 9/037

See application file for complete search history.

(56) **References Cited**

U.S. PATENT DOCUMENTS

D85,382 S 10/1931 Guth
2,194,841 A 3/1940 Welch

D177,532 S 4/1956 Meyer
3,025,391 A 3/1962 Golko
D193,802 S 10/1962 Thomsen
3,125,301 A 3/1964 Stotter
3,272,978 A 9/1966 Jackson
4,078,169 A 3/1978 Armstrong
D259,738 S 6/1981 Boschetti
4,669,033 A 5/1987 Lee
4,814,954 A 3/1989 Spitz
4,933,821 A 6/1990 Anderson
D311,597 S 10/1990 Poot
5,132,885 A 7/1992 Hocheim
5,192,129 A 3/1993 Figueroa
5,195,822 A 3/1993 Takahashi

(Continued)

Primary Examiner — Brian N Vinson

(74) *Attorney, Agent, or Firm* — J. Douglas Wells

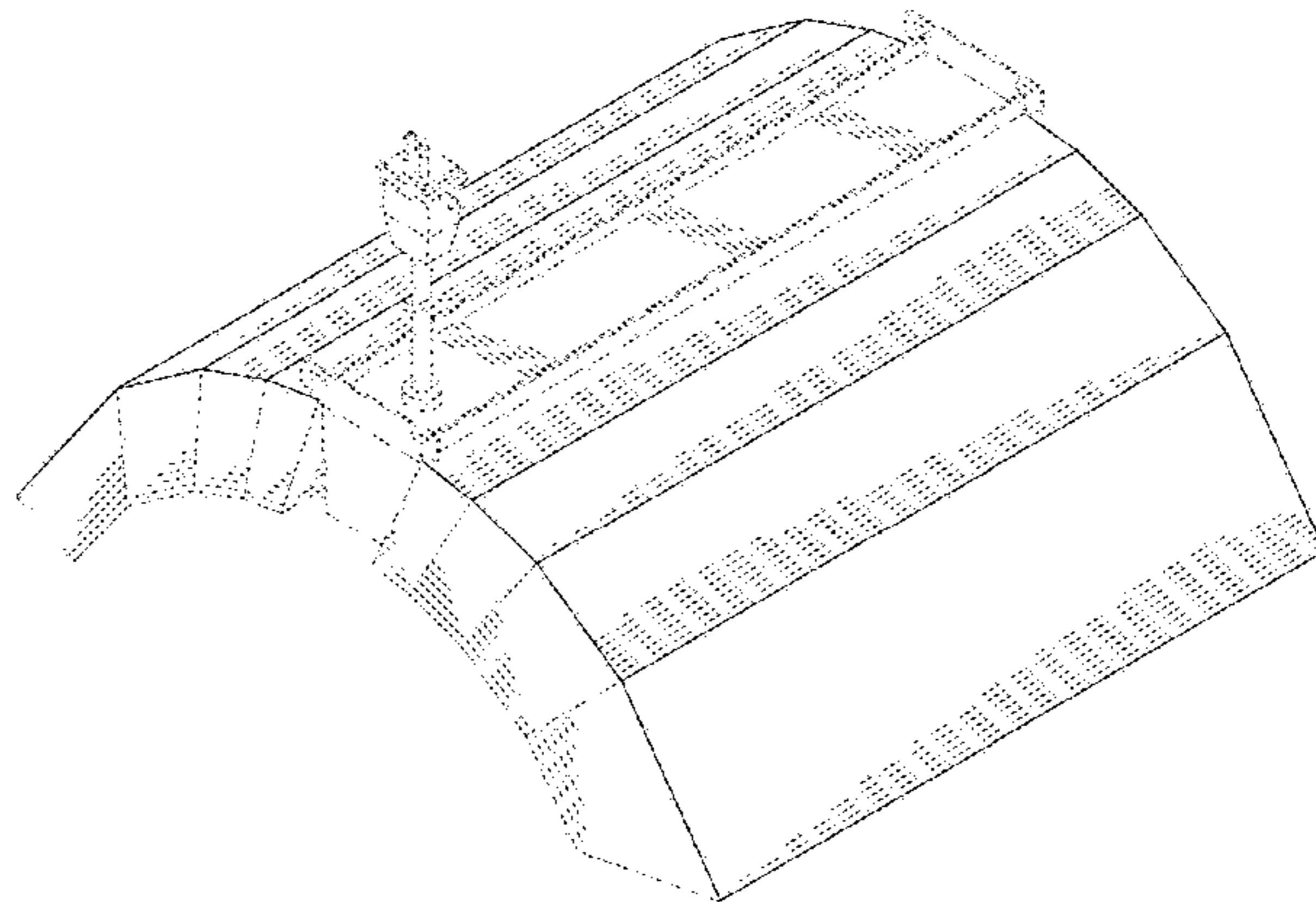
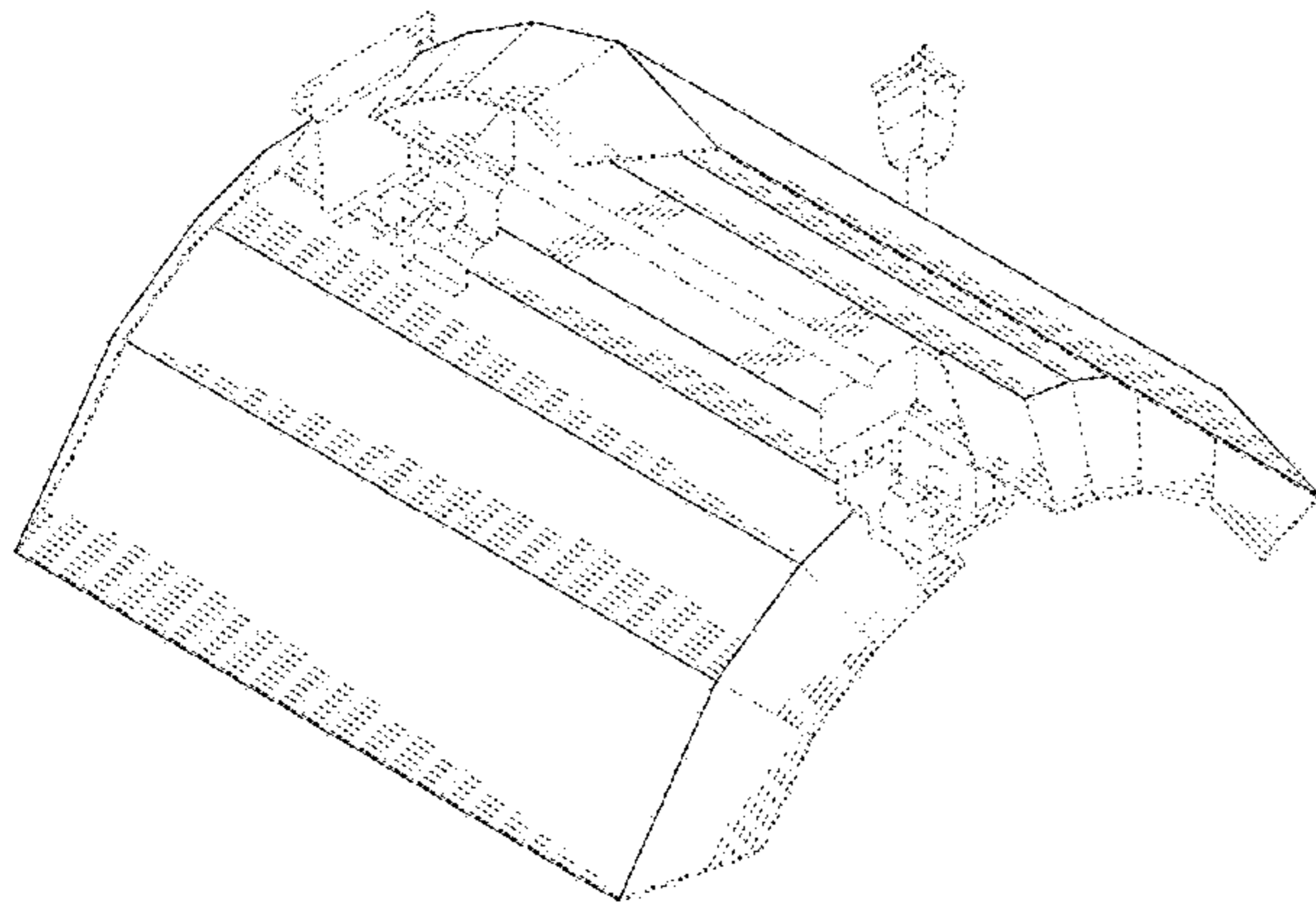
(57) **CLAIM**

The ornamental design for a horticulture grow light, as
shown and described.

DESCRIPTION

FIG. 1 is a perspective view of a horticulture grow light, as
viewed from below, showing my new design;
FIG. 2 is a perspective view of the light shown in FIG. 1, as
viewed from above;
FIG. 3 is a left side view of the light shown in FIG. 1;
FIG. 4 is a right side view of the light shown in FIG. 1;
FIG. 5 is a front elevation view of the light shown in FIG.
1;
FIG. 6 is a rear elevation view of the light shown in FIG. 1;
FIG. 7 is a bottom plan view of the light shown in FIG. 1;
and,
FIG. 8 is a top plan view of the light shown in FIG. 1.
The broken-line disclosure shown in the views is understood
to represent portions of the article in which the claimed
design is embodied, but which form no part of the claimed
design.

1 Claim, 6 Drawing Sheets



(56)

References Cited

U.S. PATENT DOCUMENTS

5,440,470 A 8/1995 Ly
 5,570,947 A 11/1996 Felland
 D376,437 S 12/1996 Karlo
 D383,243 S 9/1997 Fry
 D397,481 S 8/1998 Schafer
 D399,328 S 10/1998 Compton
 D400,289 S 10/1998 Wardenburg
 D415,304 S 10/1999 Brown
 D418,626 S 1/2000 Herst
 6,024,468 A 2/2000 Kassay
 6,042,250 A 3/2000 Stragnola
 6,053,624 A 4/2000 Cronk
 D425,237 S 5/2000 Scott
 D428,516 S * 7/2000 Reo D26/118
 6,231,209 B1 5/2001 Leibig
 D445,943 S 7/2001 Littman
 6,257,735 B1 7/2001 Baar
 D447,272 S * 8/2001 Smith D26/118
 D456,938 S * 5/2002 Wardenburg D26/118
 D467,026 S 12/2002 Parker
 6,659,628 B2 12/2003 Del Campo
 6,908,212 B2 6/2005 Schultz
 D543,652 S * 5/2007 Hargreaves D26/118
 D544,136 S 6/2007 Hargreaves

D544,994 S 6/2007 Hargreaves
 D544,995 S * 6/2007 Hargreaves D26/118
 D545,484 S * 6/2007 Hargreaves D26/118
 D545,485 S * 6/2007 Hargreaves D26/118
 D545,996 S 7/2007 Hargreaves
 D614,801 S * 4/2010 Collins D26/118
 D634,060 S * 3/2011 Wardenburg D26/118
 D634,469 S * 3/2011 Hargreaves D26/118
 D675,369 S * 1/2013 Michaud D26/118
 D693,959 S * 11/2013 Boyer D26/118
 D698,986 S * 2/2014 Reynolds D26/118
 8,905,575 B2 * 12/2014 Durkee F21V 7/0008
 362/218
 D731,701 S * 6/2015 Hargreaves D26/118
 D732,235 S * 6/2015 Reynolds D26/118
 D732,236 S * 6/2015 Reynolds D26/118
 D736,450 S * 8/2015 Reynolds D26/118
 D740,486 S * 10/2015 Stanley D26/118
 D747,029 S * 1/2016 Reynolds D26/118
 D748,849 S * 2/2016 Stanley D26/118
 D750,316 S * 2/2016 Reynolds D26/118
 D751,244 S * 3/2016 Reynolds D26/118
 D751,247 S * 3/2016 Reynolds D26/118
 D768,910 S 10/2016 Reynolds
 D770,081 S 10/2016 Reynolds
 2002/0141195 A1 10/2002 Peter

* cited by examiner

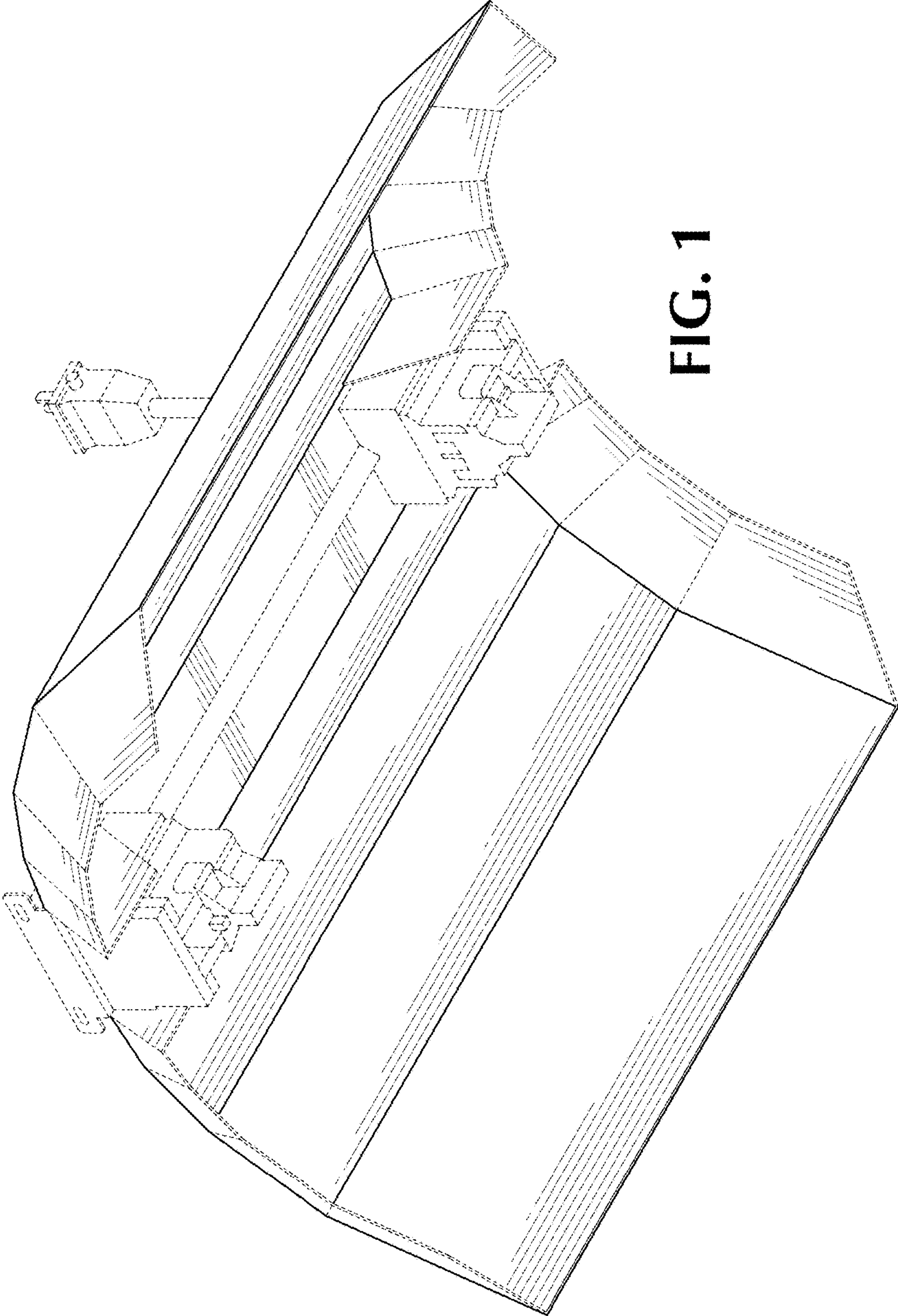


FIG. 1

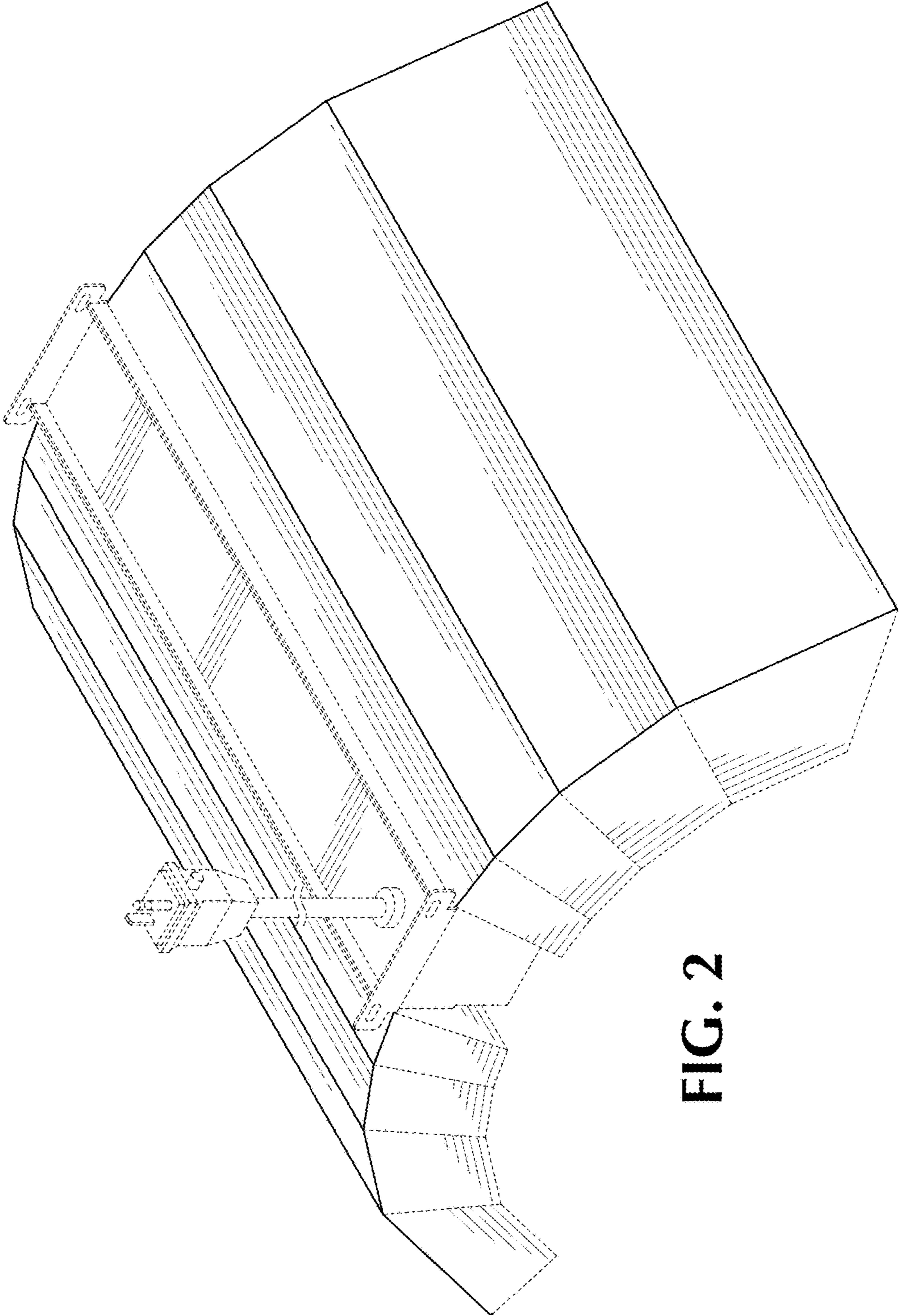


FIG. 2

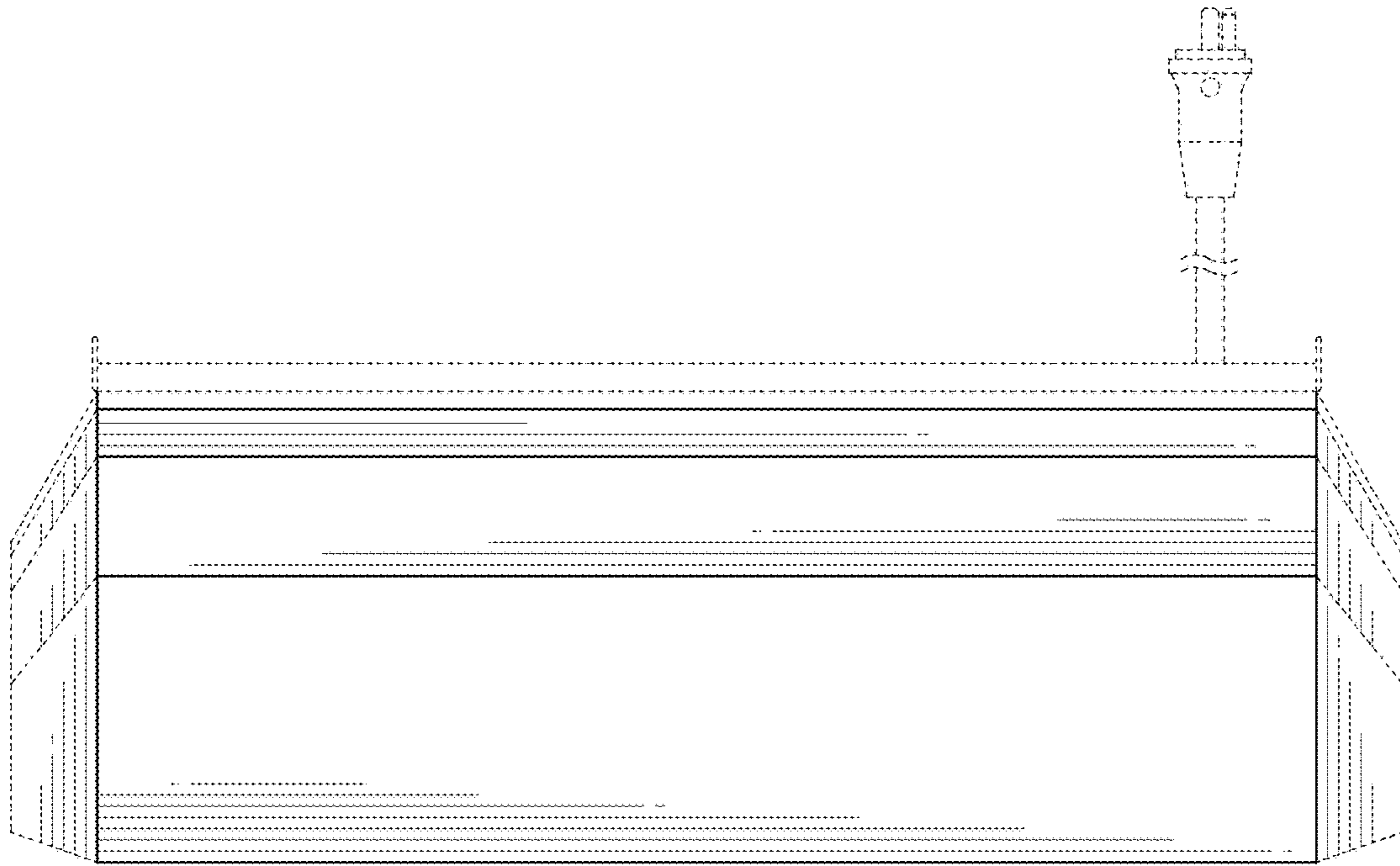


FIG. 3

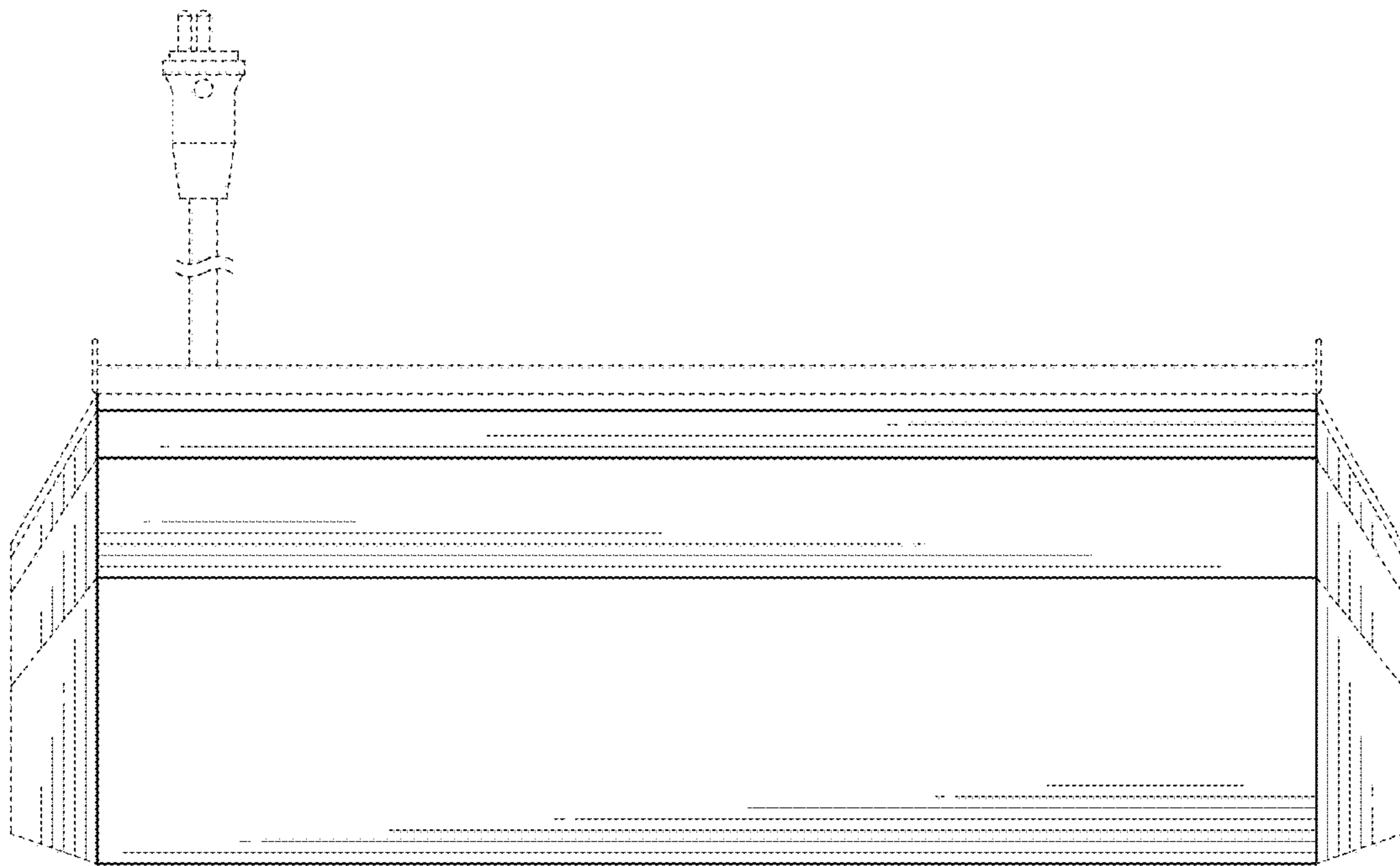
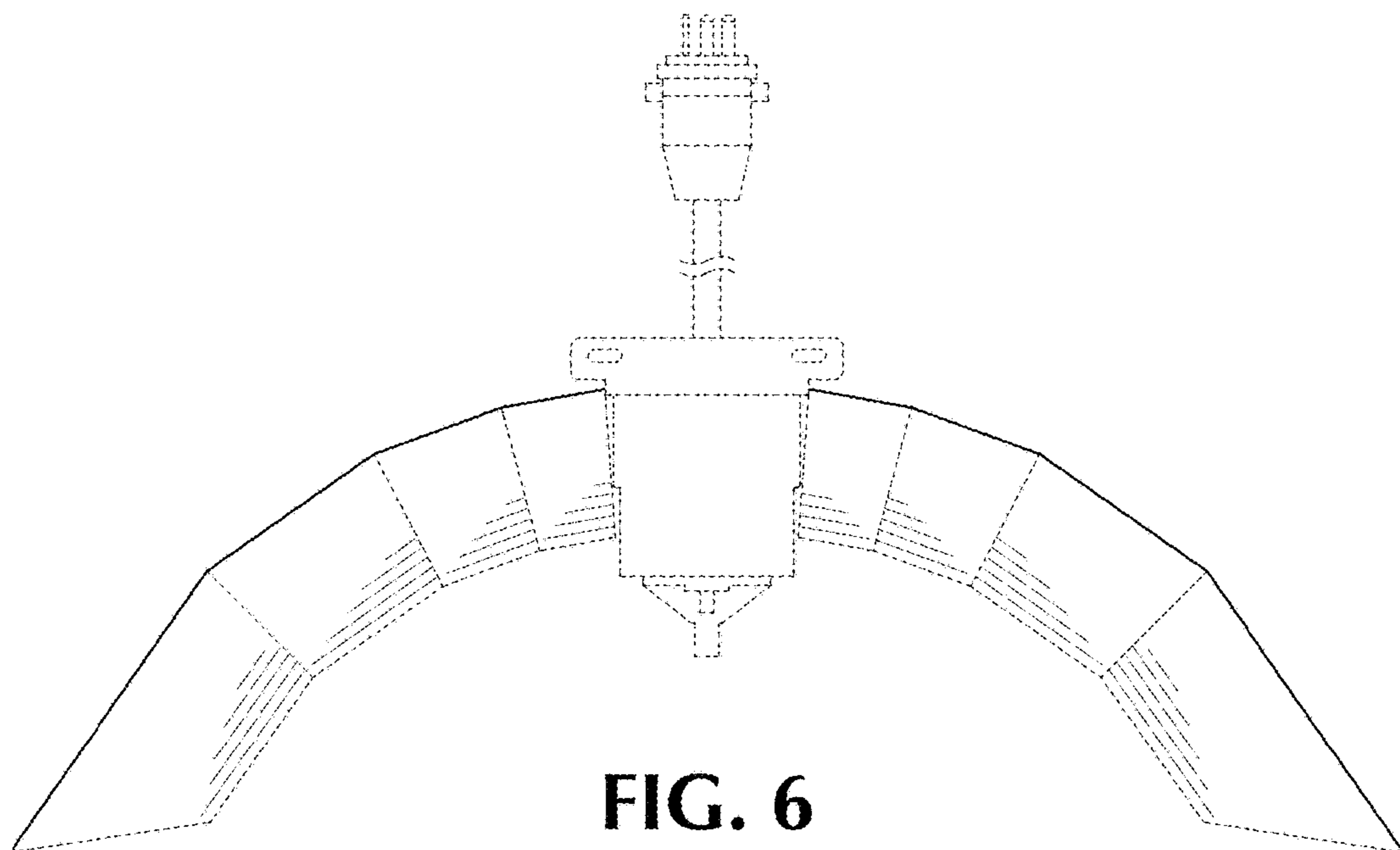
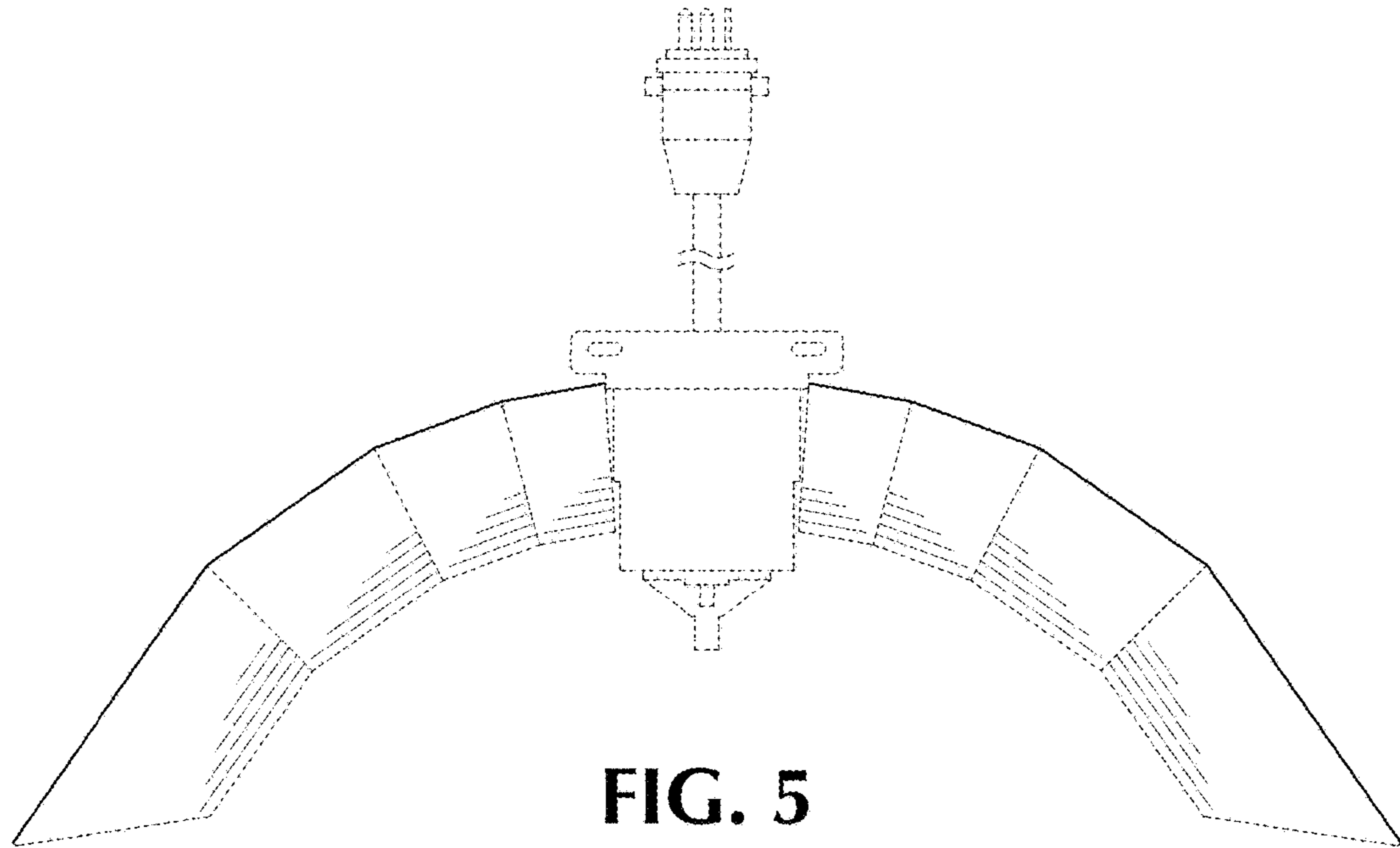


FIG. 4



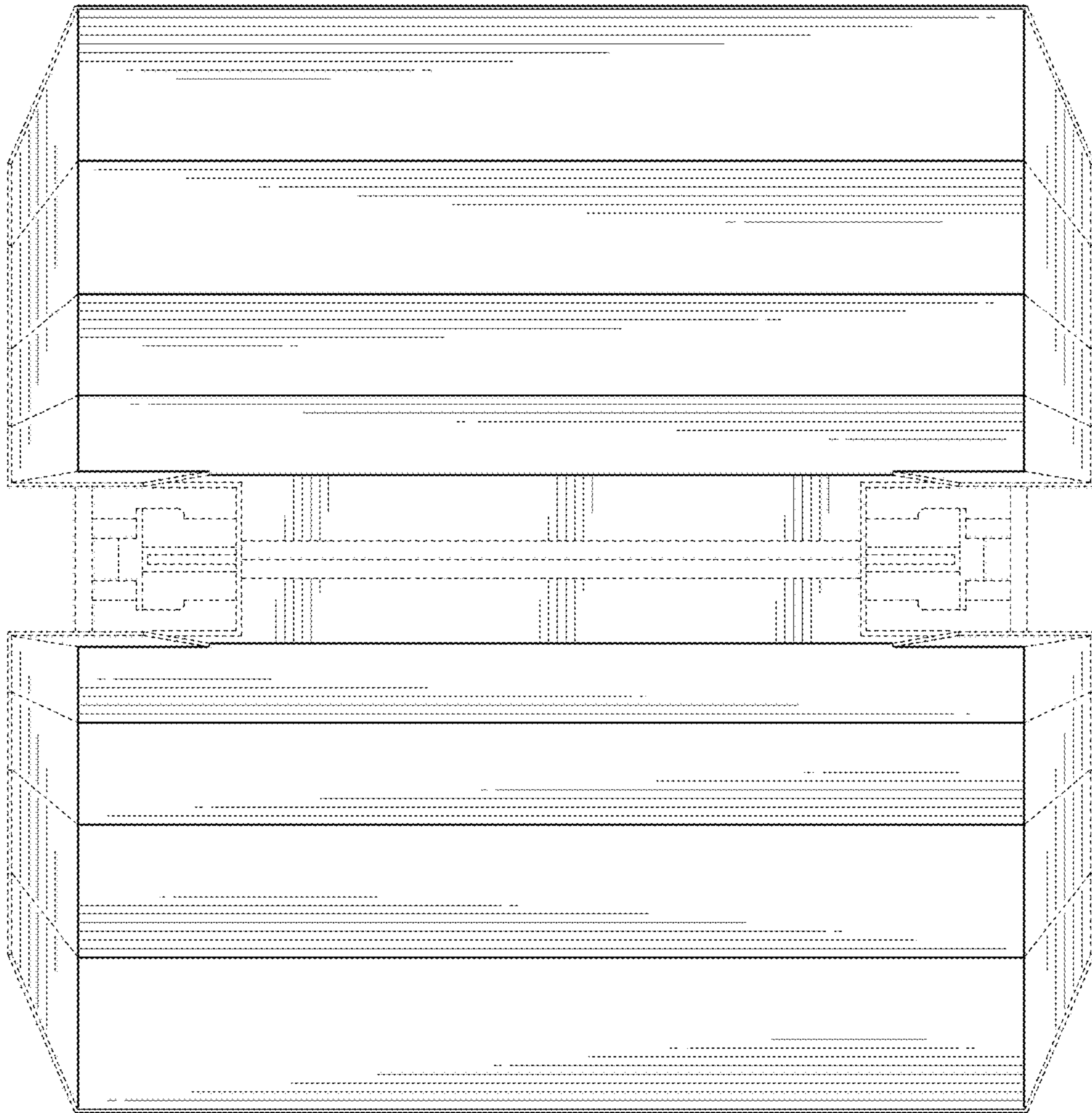


FIG. 7

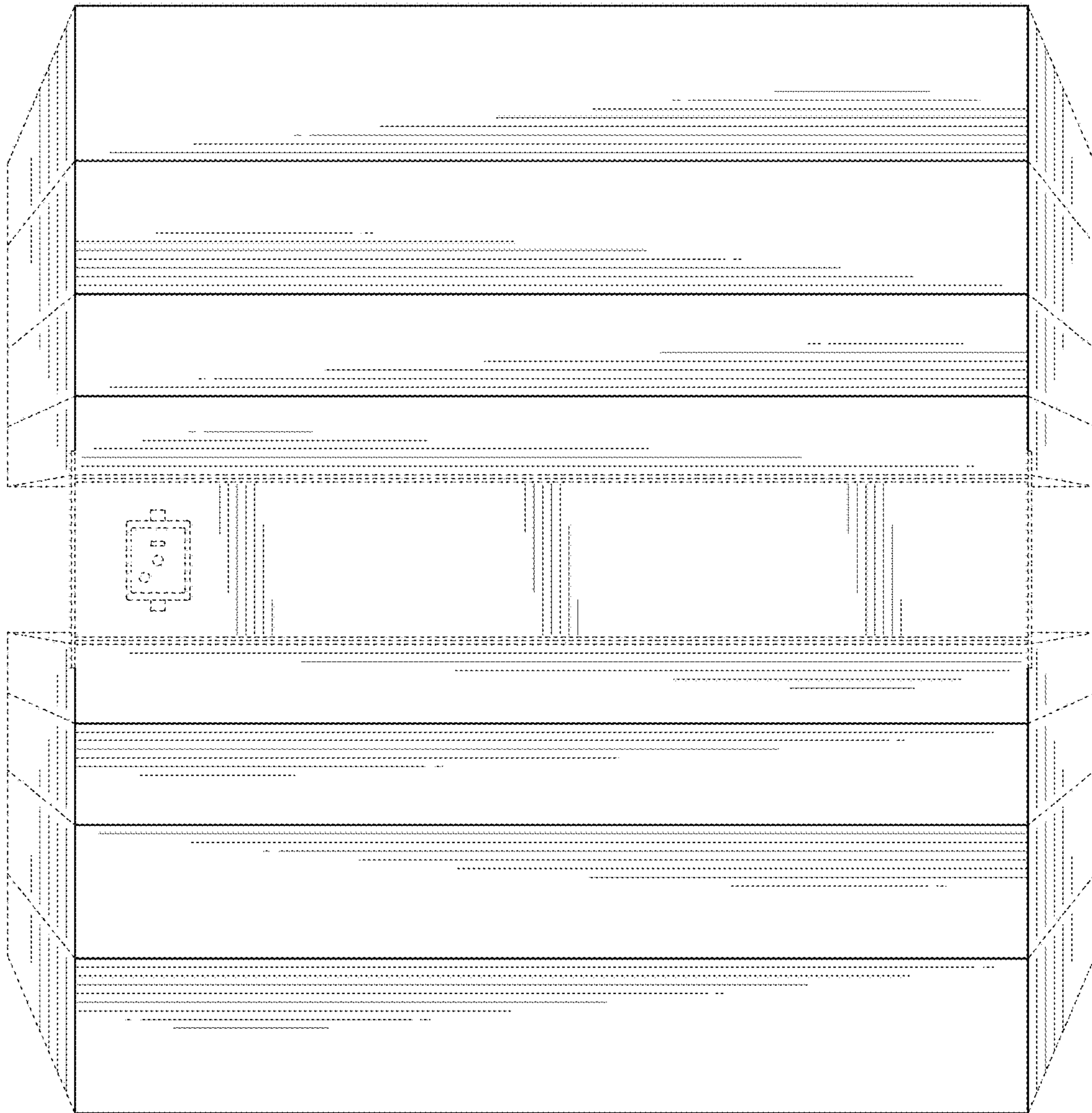


FIG. 8