



US00D786485S

(12) **United States Design Patent** (10) **Patent No.:** **US D786,485 S**
Amato et al. (45) **Date of Patent:** **** May 9, 2017**

(54) **LIGHTING FIXTURE**

(71) Applicant: **The Urban Electric Company**, North Charleston, SC (US)

(72) Inventors: **Michael Amato**, Johns Island, SC (US); **David Dawson**, Charleston, SC (US); **Jonathan Charpia**, Summerville, SC (US); **Christopher Roof**, Charleston, SC (US); **Joeangel Casanova**, North Charleston, SC (US); **Courteney Salsbury**, Mount Pleasant, SC (US); **Brianna Magagnoli**, North Charleston, SC (US)

(73) Assignee: **THE URBAN ELECTRIC COMPANY**, North Charleston, SC (US)

(**) Term: **15 Years**

(21) Appl. No.: **29/574,376**

(22) Filed: **Aug. 15, 2016**

(51) **LOC (10) Cl.** **26-03**

(52) **U.S. Cl.**
USPC **D26/106**

(58) **Field of Classification Search**
USPC D26/1, 4, 24, 27, 51, 93, 94, 104, 106;
D11/131, 157, 184, 121, 125
CPC .. A63H 13/00; F21S 6/00; F21S 6/002; F21S 10/00; F21V 3/00; F21V 3/0418; F21V 15/00; F21V 21/02; F21V 31/00; F21W 2121/00; F21W 2131/30

See application file for complete search history.

(56) **References Cited**

U.S. PATENT DOCUMENTS

D302,867 S *	8/1989	Dennis	D26/110
4,961,276 A *	10/1990	Lin	A63H 13/00 40/410
D385,374 S *	10/1997	Shalvi	D26/112
D392,764 S *	3/1998	Balish, Jr.	D26/105
D393,016 S *	3/1998	Young	D11/131
D480,497 S *	10/2003	Lau Ting Yup ..	D26/104
D590,097 S *	4/2009	Tam	D26/104
D670,424 S *	11/2012	Lee	D26/93
D757,988 S *	5/2016	Chang	D26/104

* cited by examiner

Primary Examiner — Brian N Vinson

(74) *Attorney, Agent, or Firm* — Jeffrey T. Stover; Haynsworth Sinkler Boyd, P.A.

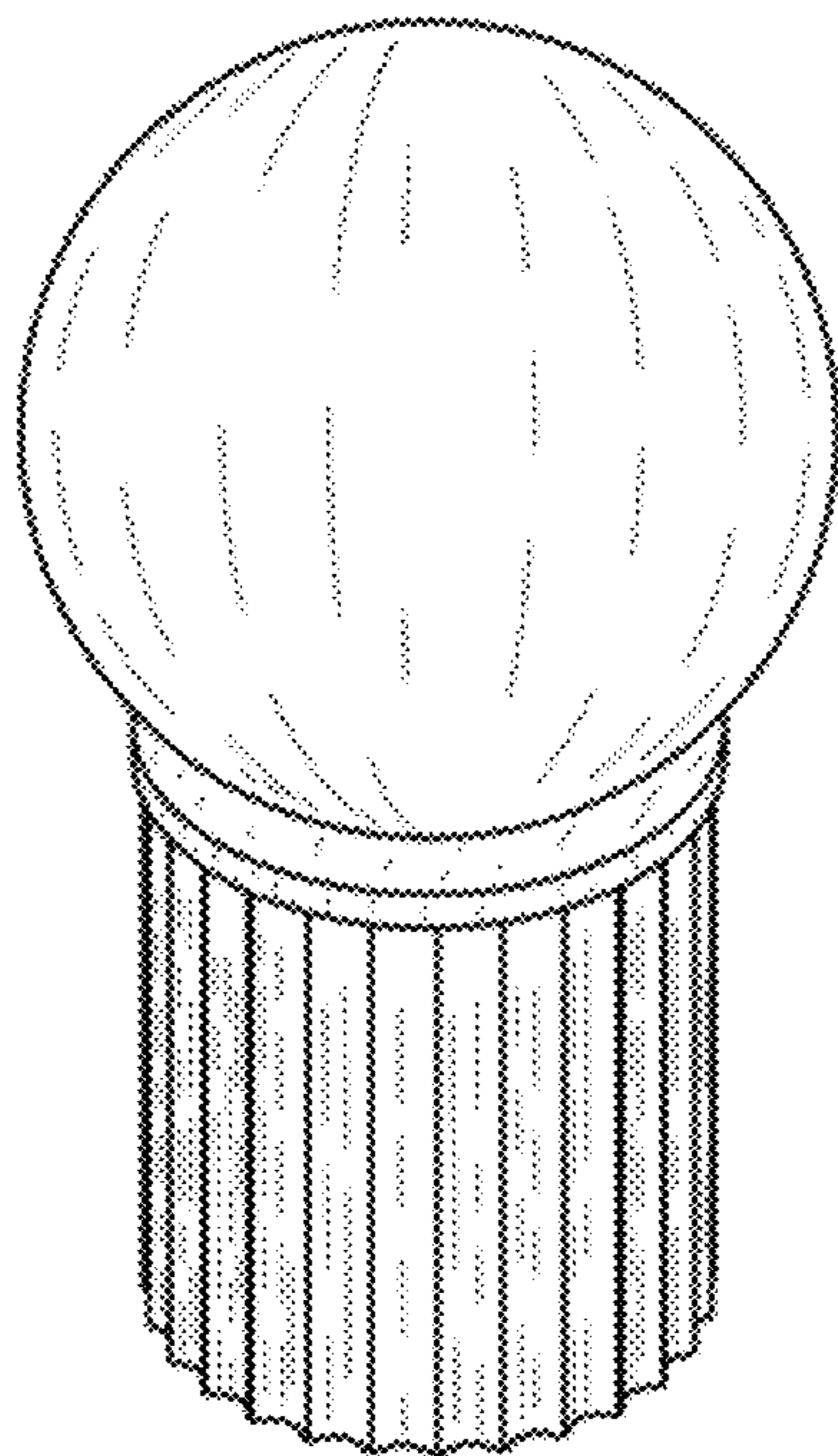
(57) **CLAIM**

The ornamental design for a lighting fixture, as shown and described.

DESCRIPTION

FIG. 1 is a top perspective view of a lighting fixture showing the new design;
FIG. 2 is a front elevational view thereof;
FIG. 3 is a back elevational view thereof.
FIG. 4 is a right side elevational view thereof;
FIG. 5 is a left side elevational view thereof;
FIG. 6 is a top plan view thereof;
FIG. 7 is a bottom plan view thereof; and,
FIG. 8 is a top-rear perspective view thereof.
The broken line disclosure in the views represents environmental structure which forms no part of the claimed design.

1 Claim, 8 Drawing Sheets



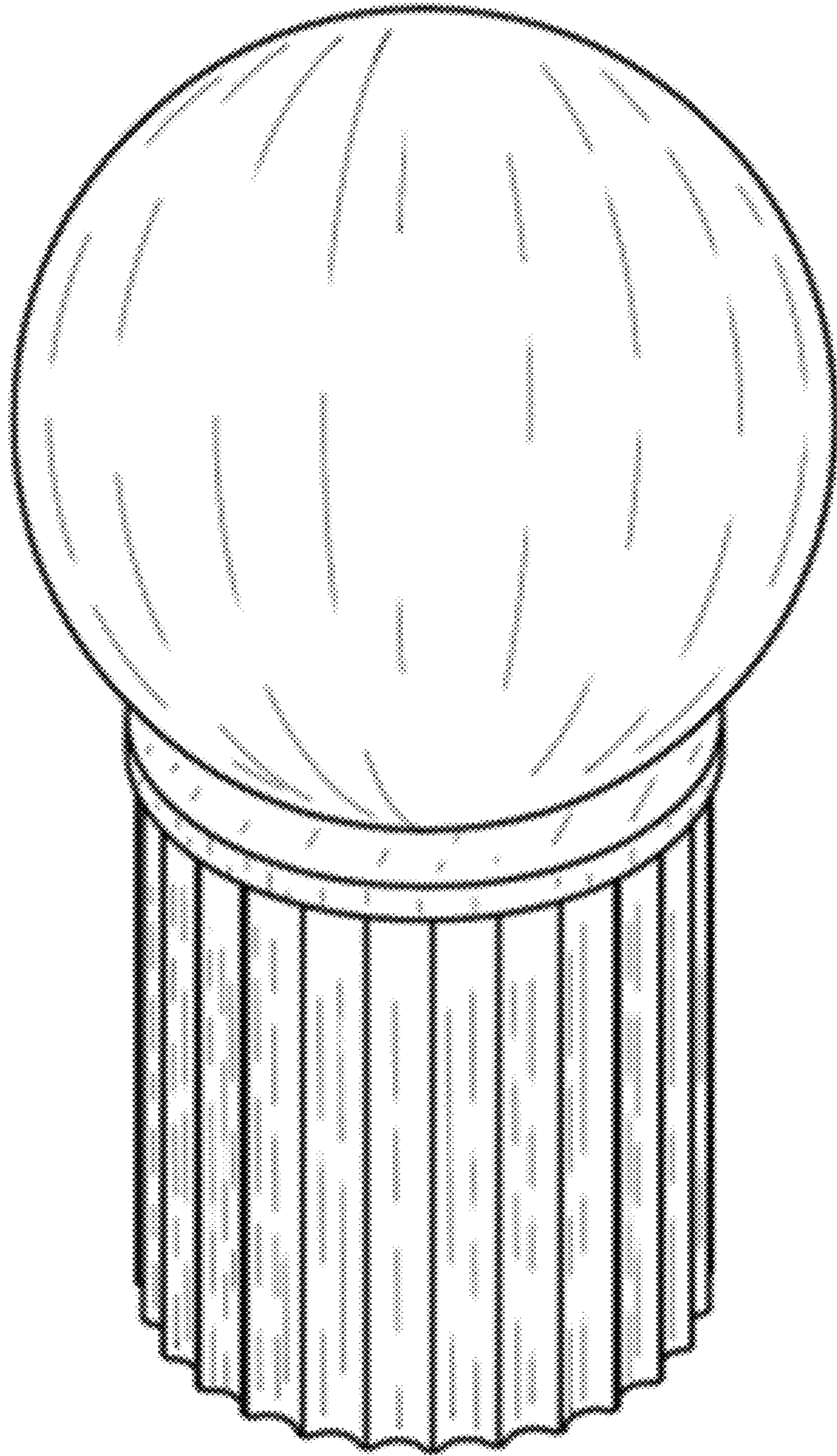


FIG. 1

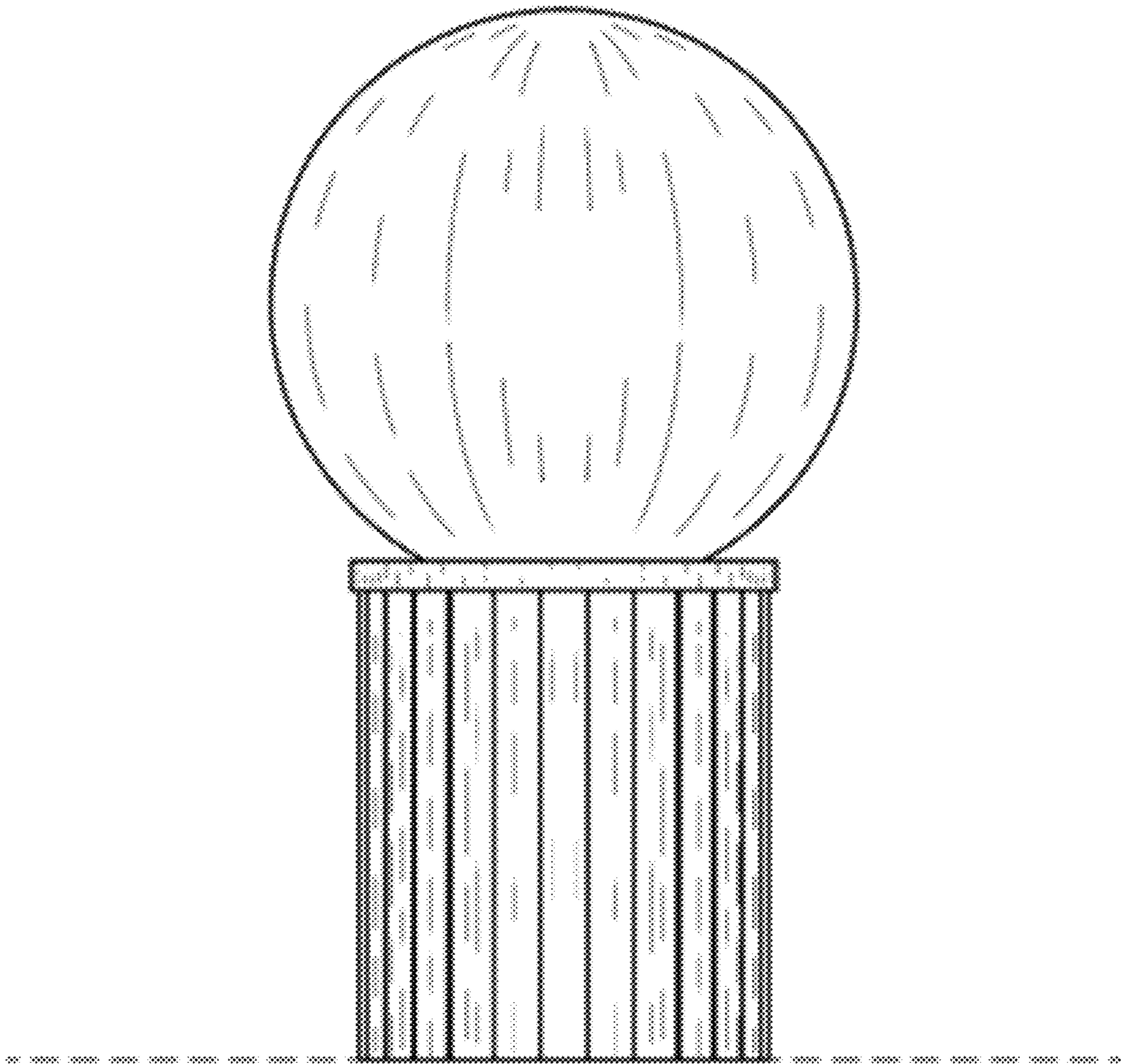


FIG. 2

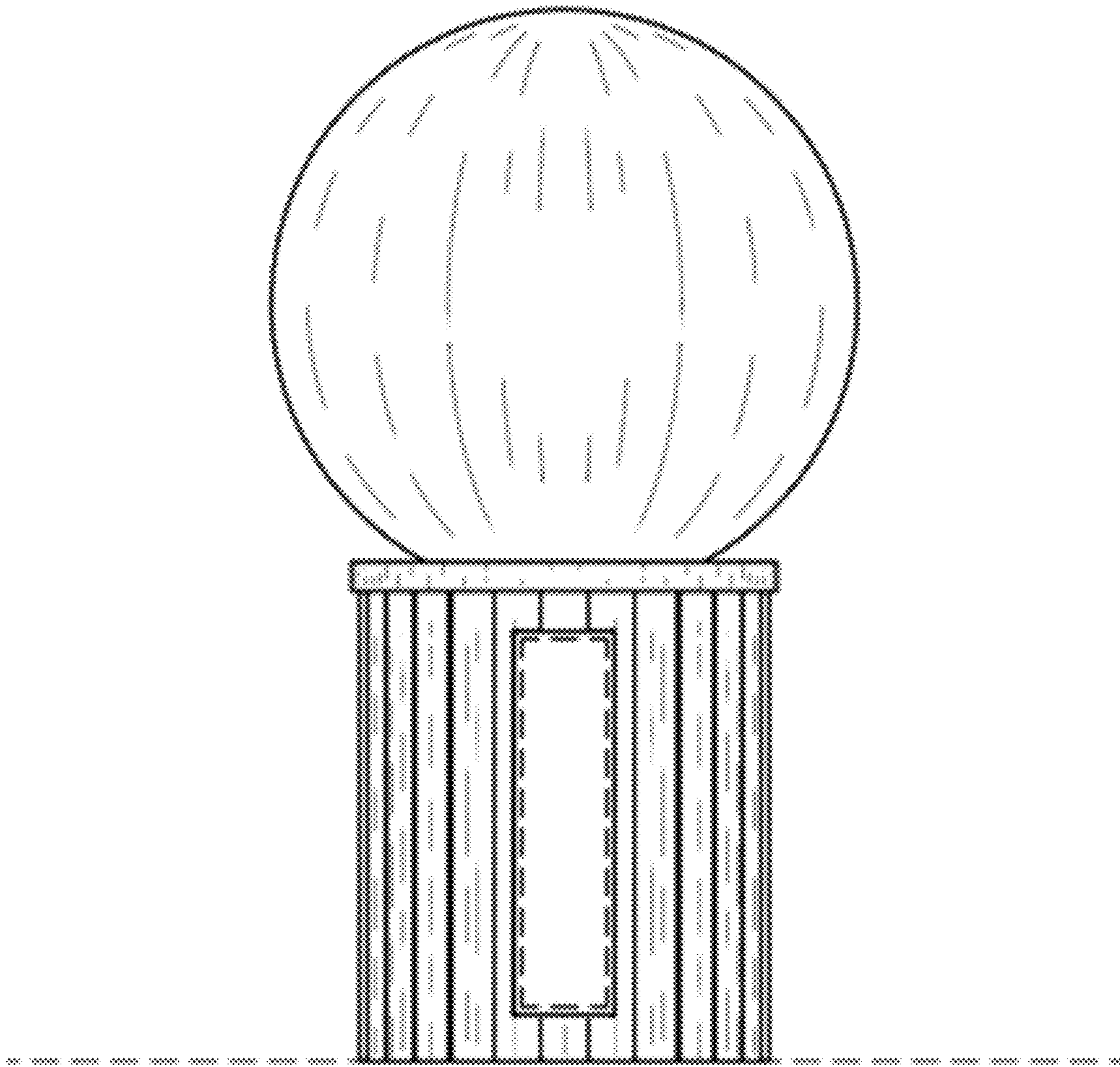


FIG. 3

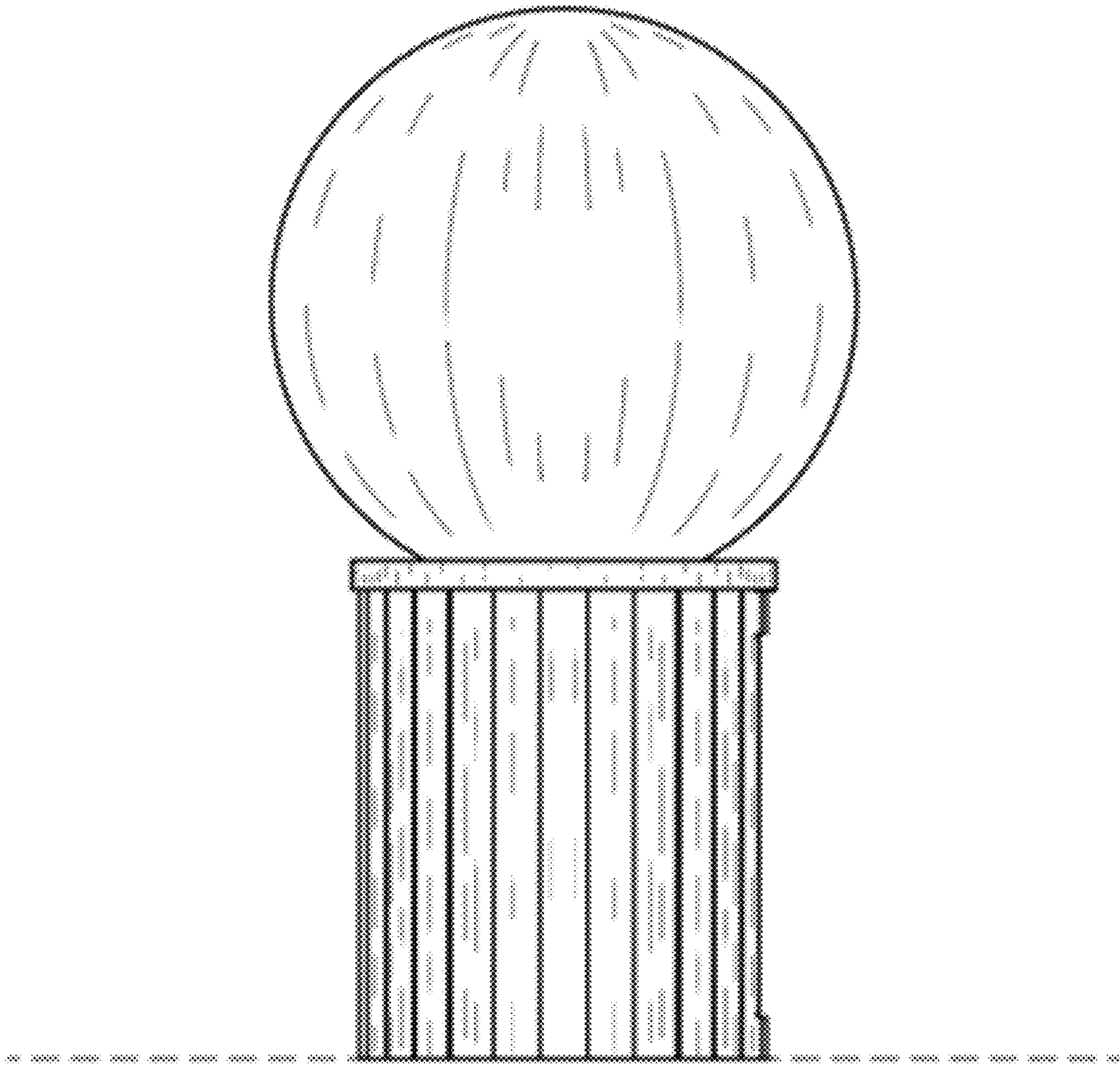


FIG. 4

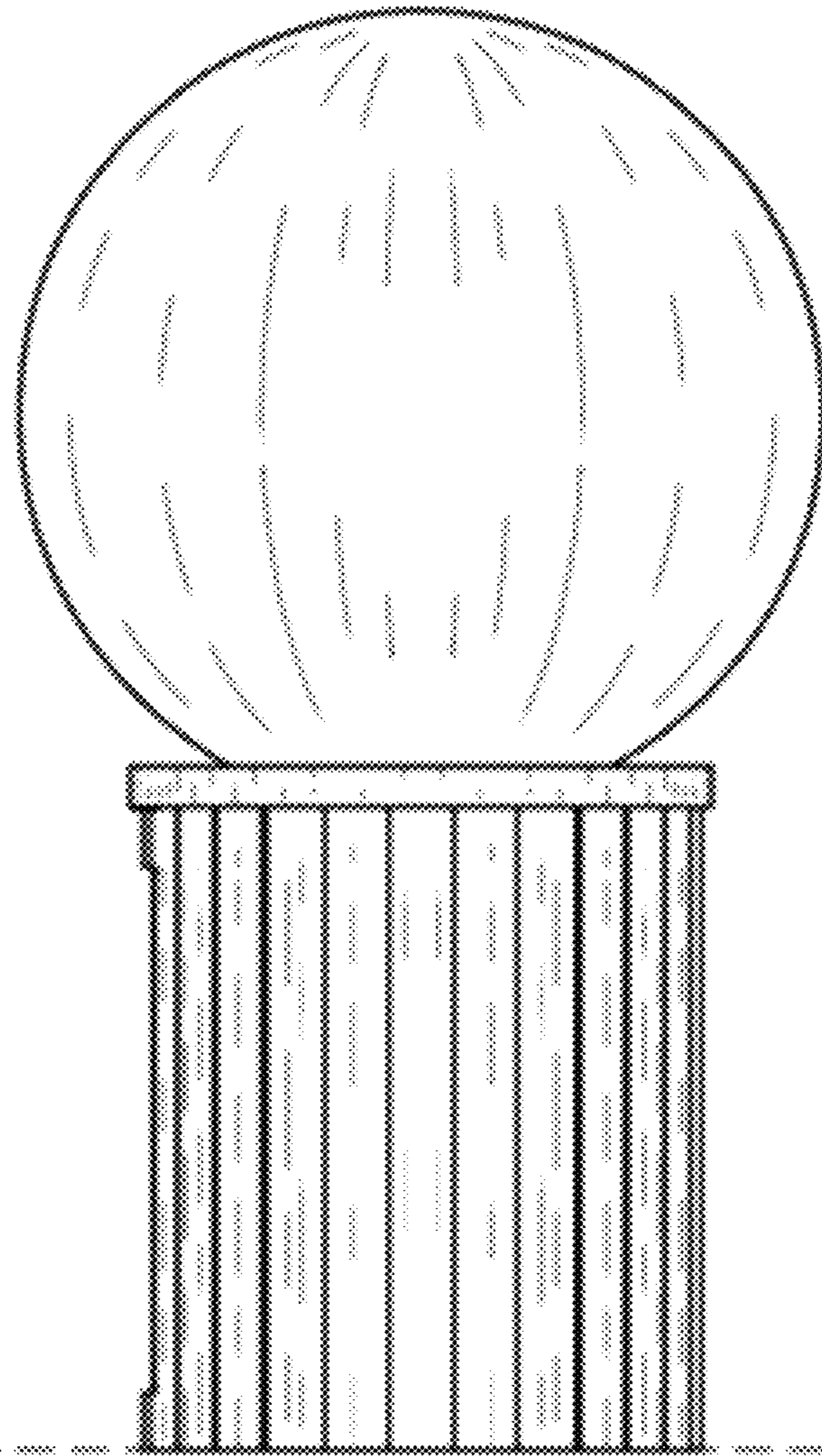


FIG. 5

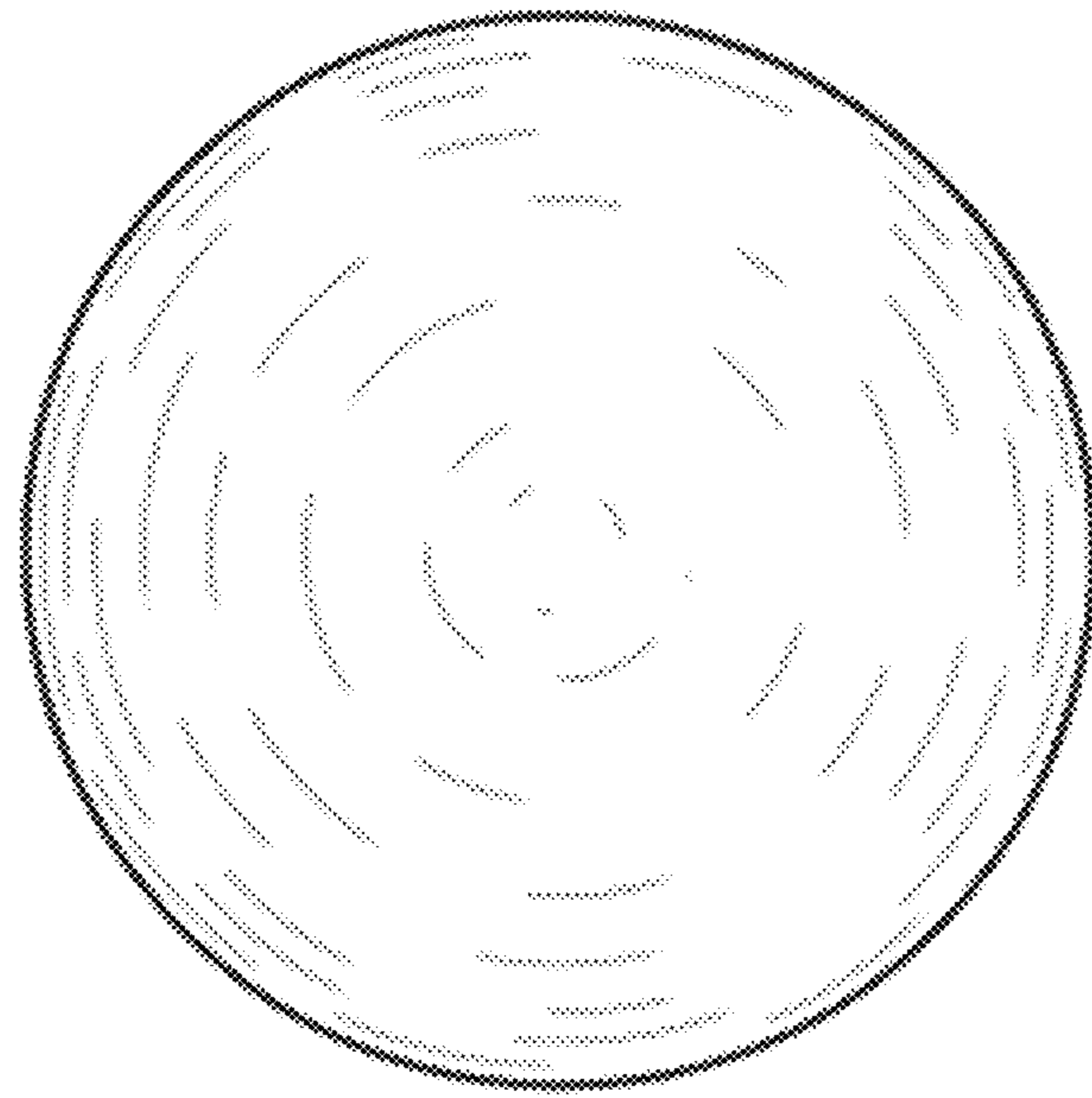


FIG. 6

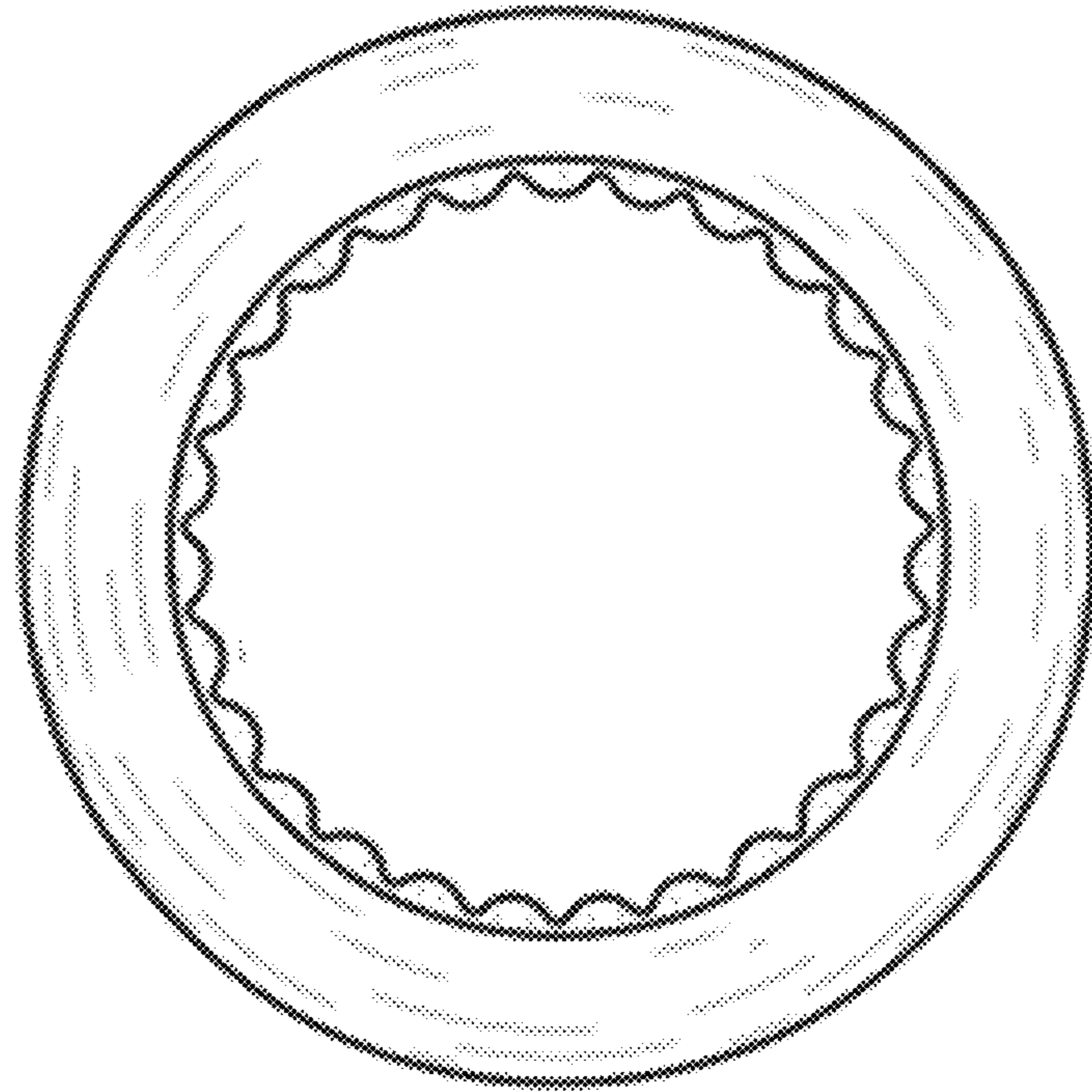


FIG. 7

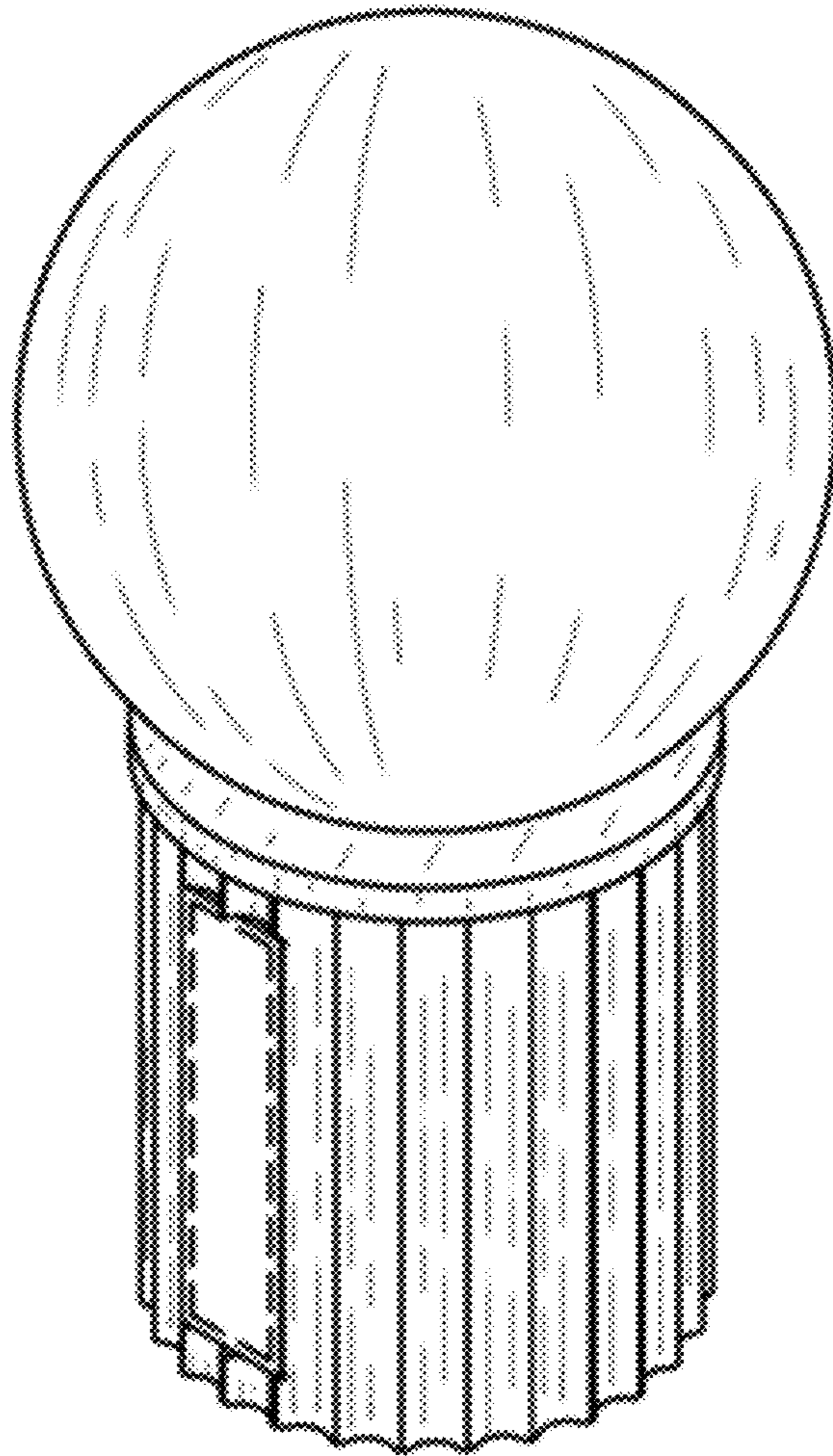


FIG. 8