



US00D786484S

(12) **United States Design Patent**  
**Patton et al.**

(10) **Patent No.:** **US D786,484 S**

(45) **Date of Patent:** **\*\* May 9, 2017**

- (54) **ELECTRIC TEA LIGHT CANDLE**
- (71) Applicant: **Luminara Worldwide, LLC**, Eden Prairie, MN (US)
- (72) Inventors: **Douglas Patton**, Irvine, CA (US); **Heather Patton**, New York, NY (US); **Gary Bordenkicher**, Lake Forest, CA (US); **Jeffrey Thompson**, Huntington Beach, CA (US); **Channing Shattuck**, Bonsall, CA (US); **Kanchana Sanjaya Gunsekera Karunaratne**, Escondido, CA (US)

- D406,379 S \* 3/1999 Andrews ..... D26/96
- 6,454,425 B1 9/2002 Lin
- D488,582 S \* 4/2004 Connelly ..... D26/96
- 7,159,994 B2 1/2007 Schnuckle et al.
- D545,458 S 6/2007 Jensen
- 7,261,455 B2 8/2007 Schnuckle et al.
- D567,993 S 4/2008 Shiu

(Continued)

**FOREIGN PATENT DOCUMENTS**

- CN 2551859 Y 5/2003
- CN 2562059 Y 7/2003

(Continued)

**OTHER PUBLICATIONS**

International Search Report and Written Opinion for PCT Application No. PCT/CN2014/073557, mailed Jul. 2, 2014 (11 pages).

(Continued)

*Primary Examiner* — Brian N Vinson

(74) *Attorney, Agent, or Firm* — Fish & Tsang LLP

- (73) Assignee: **Luminara Worldwide, LLC**, Eden Prairie, MN (US)
- (\*\*) Term: **15 Years**
- (21) Appl. No.: **29/563,575**
- (22) Filed: **May 5, 2016**
- (51) **LOC (10) Cl.** ..... **26-03**
- (52) **U.S. Cl.**  
USPC ..... **D26/96**
- (58) **Field of Classification Search**  
USPC ..... D26/4, 5, 6, 7, 9, 96  
CPC .... F21S 6/00; F21S 6/001; F21S 10/04; F21S 10/10; F21S 10/043; F21S 8/08; F21S 48/115; F21V 21/00; F21V 35/00; F21W 2121/00; C11C 5/002; C11C 5/004  
See application file for complete search history.

(57) **CLAIM**

The ornamental design for an electric tea light candle, as shown and described.

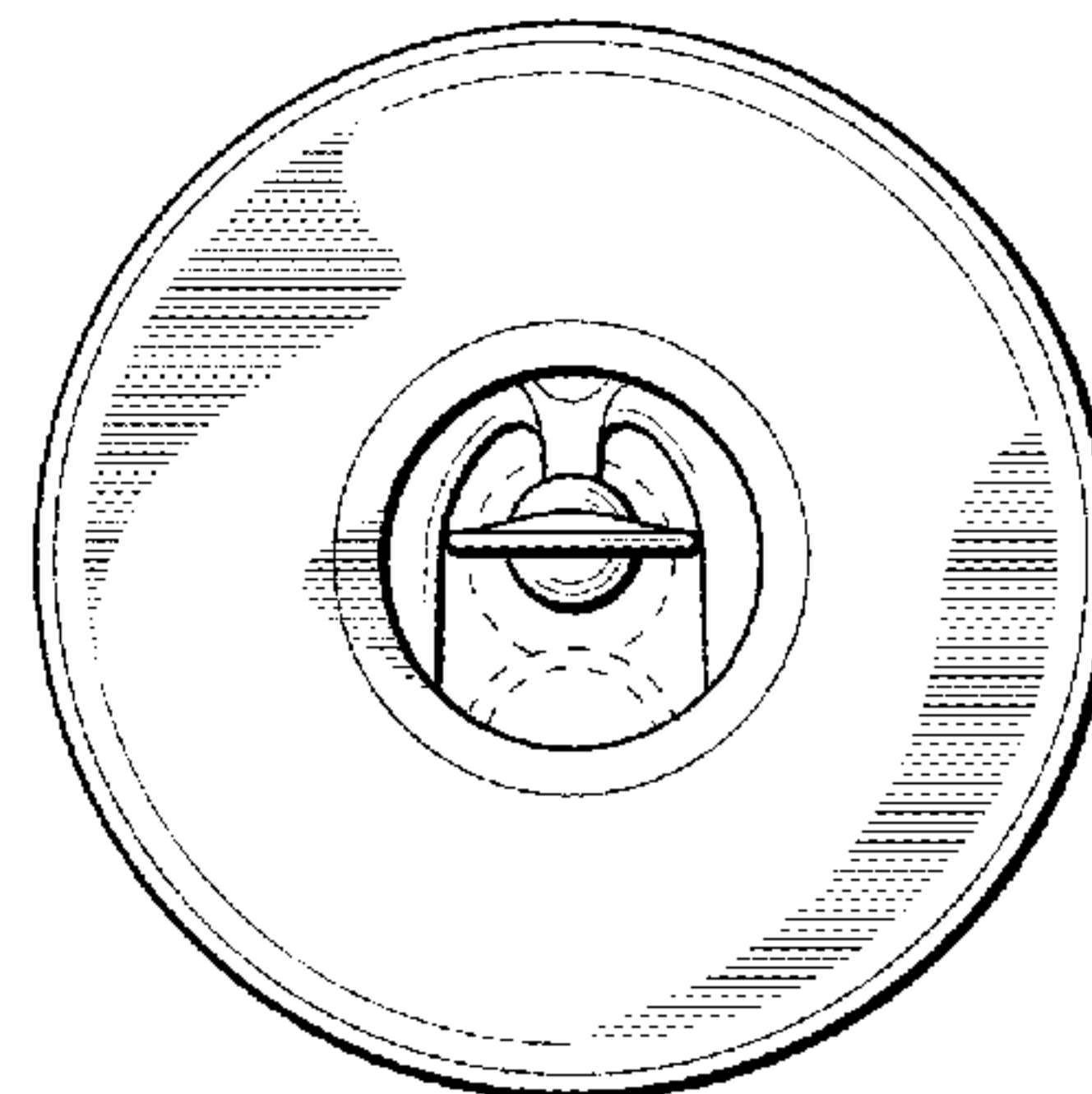
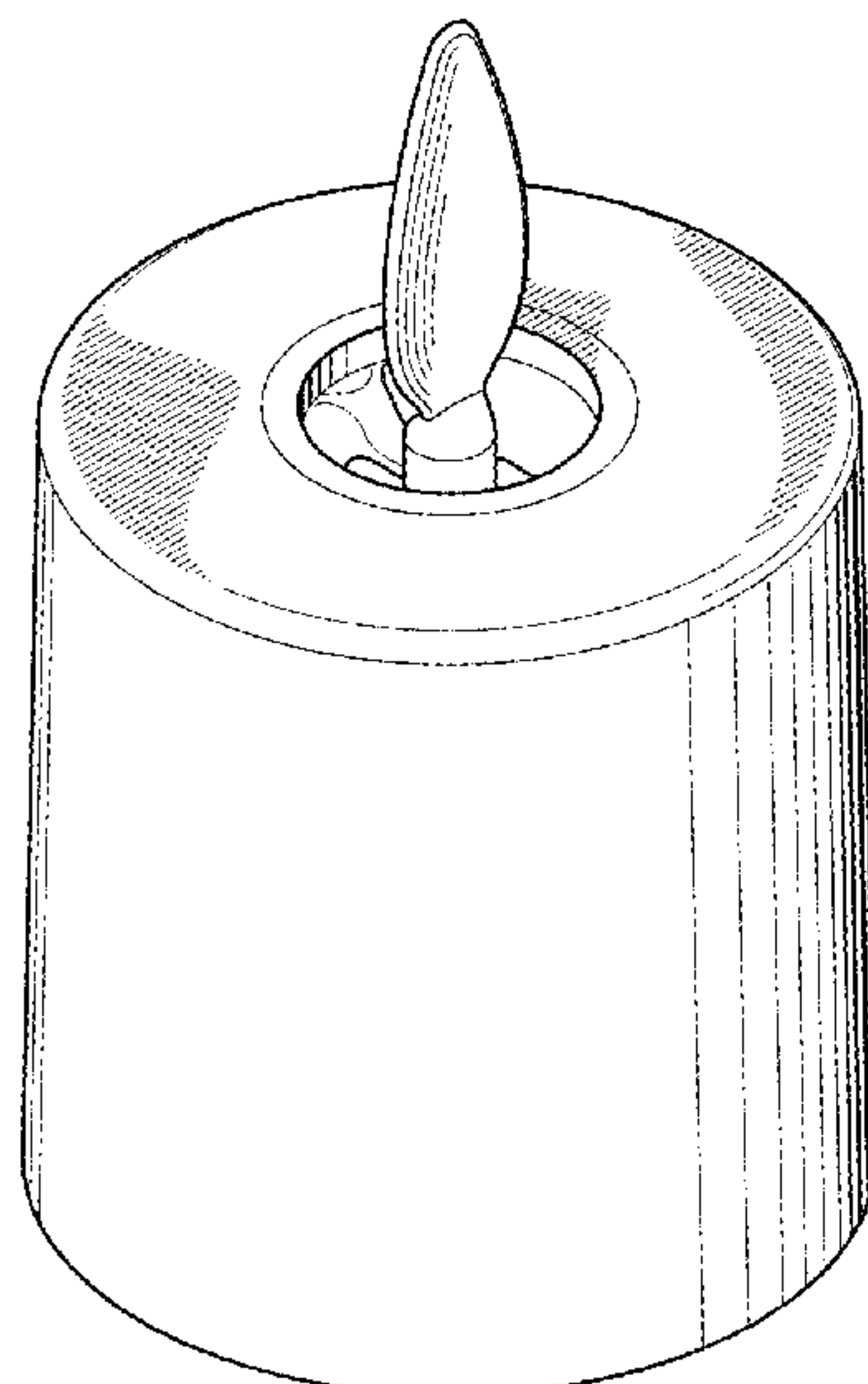
**DESCRIPTION**

FIG. 1 is a top, front, and left side perspective view of an electric tea light candle showing our new design; FIG. 2 is a front elevational view thereof; FIG. 3 is a rear elevational view thereof; FIG. 4 is a left side elevational view thereof; FIG. 5 is a top plan view thereof; and, FIG. 6 is a bottom plan view thereof.

The peripheral broken line disclosure represents an unclaimed boundary between claimed and unclaimed portions, and the remaining broken lines represent portions of the candle which form no part of the claimed design.

**1 Claim, 2 Drawing Sheets**

- (56) **References Cited**  
**U.S. PATENT DOCUMENTS**  
D102,561 S 12/1936 Lamb  
2,451,725 A 10/1948 Franklin  
4,328,534 A 5/1982 Abe  
4,551,794 A 11/1985 Sandell  
4,764,853 A 8/1988 Thomas et al.  
5,078,591 A 1/1992 Despres



(56)

References Cited

U.S. PATENT DOCUMENTS

D569,541 S \* 5/2008 Shiu ..... D26/96  
 D576,317 S 9/2008 Jensen  
 D589,176 S 3/2009 Huang et al.  
 D599,491 S 9/2009 Luo  
 7,686,471 B2 3/2010 Reichow  
 7,723,899 B2 5/2010 Blandino et al.  
 7,837,355 B2 11/2010 Schnuckle  
 8,210,708 B2 7/2012 Hau et al.  
 D669,615 S 10/2012 Delcotto et al.  
 D706,963 S \* 6/2014 Thompson ..... D26/96  
 8,789,986 B2 7/2014 Li  
 D735,399 S \* 7/2015 Liu ..... D26/96  
 D739,069 S 9/2015 Bologeorges  
 D739,573 S 9/2015 Li  
 D744,128 S 11/2015 Li  
 D748,298 S 1/2016 Li  
 D748,843 S \* 2/2016 Thompson ..... D26/96  
 D757,306 S 5/2016 Li  
 D757,336 S \* 5/2016 Li ..... D26/96  
 D757,337 S \* 5/2016 Li ..... D26/96  
 D759,858 S \* 6/2016 Li ..... D26/2  
 D759,879 S \* 6/2016 Li ..... D26/96  
 D760,424 S \* 6/2016 Li ..... D26/7  
 2003/0053305 A1 3/2003 Lin  
 2004/0037069 A1 2/2004 Blackburn  
 2004/0165374 A1 8/2004 Robinson  
 2005/0254248 A1 11/2005 Lederer

2007/0002560 A1 1/2007 Gutstein et al.  
 2007/0159422 A1 7/2007 Blandino et al.  
 2008/0130266 A1 6/2008 DeWitt et al.  
 2010/0079999 A1 4/2010 Schnuckle  
 2010/0124050 A1 5/2010 Hau et al.  
 2011/0317403 A1 12/2011 Fournier et al.  
 2012/0134157 A1 5/2012 Li

FOREIGN PATENT DOCUMENTS

CN 201053585 Y 4/2004  
 CN 201103952 Y 8/2008  
 CN 201159425 Y 12/2008  
 CN 101865413 A 10/2010  
 CN 202024234 U 11/2011  
 CN 102748589 A 10/2012  
 GB 2323159 A 9/1995  
 GB 2377327 A 1/2003  
 GB 2379731 A 3/2003  
 WO 2006/020839 A2 2/2006

OTHER PUBLICATIONS

Design U.S. Appl. No. 29/443,803, filed Jan. 23, 2013, Li.  
 Design U.S. Appl. No. 29/450,118, filed Mar. 15, 2013, Li.  
 U.S. Appl. No. 61/010,611, filed Sep. 30, 2008, Schnuckle, Provisional patent application.

\* cited by examiner

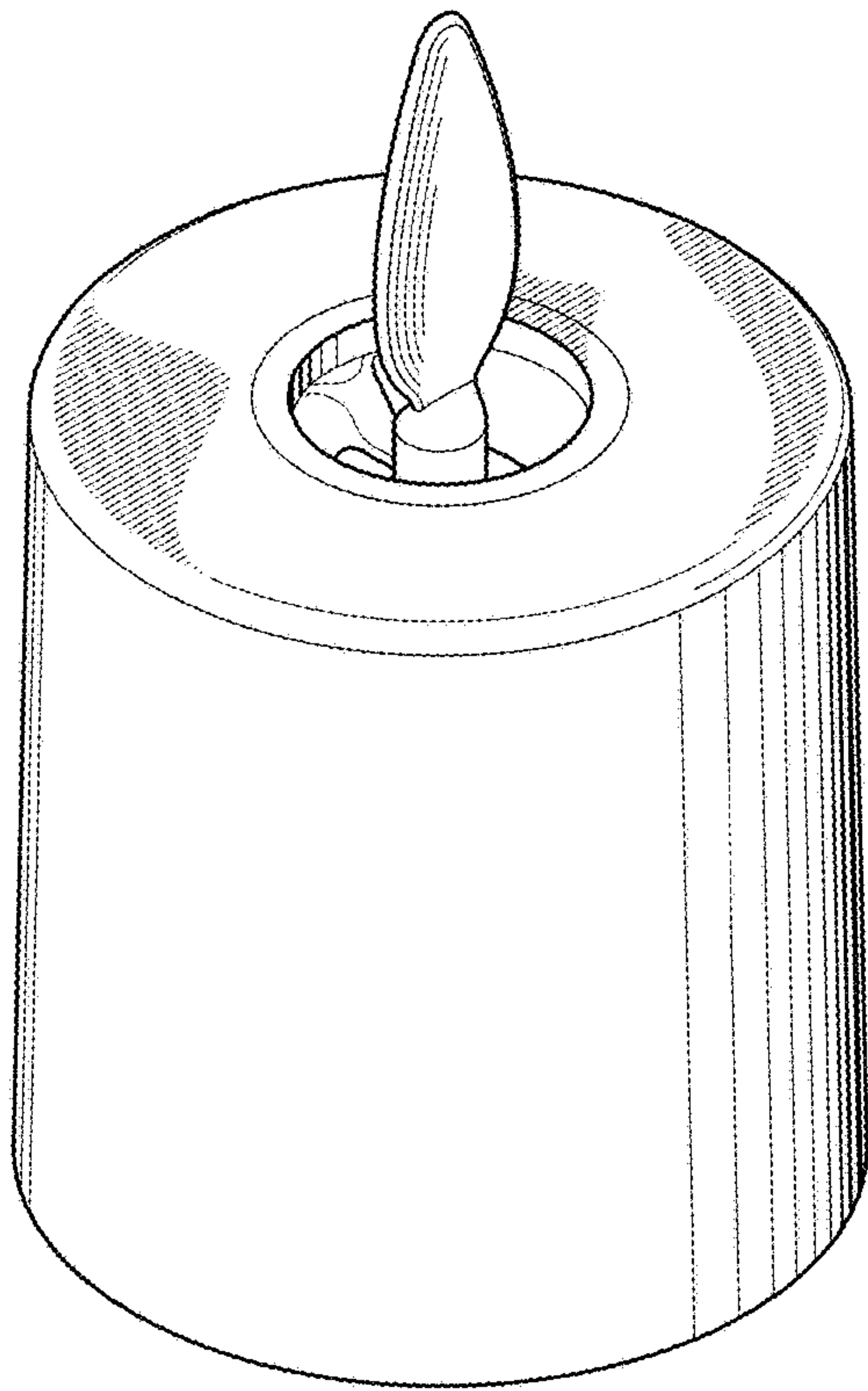


FIG. 1

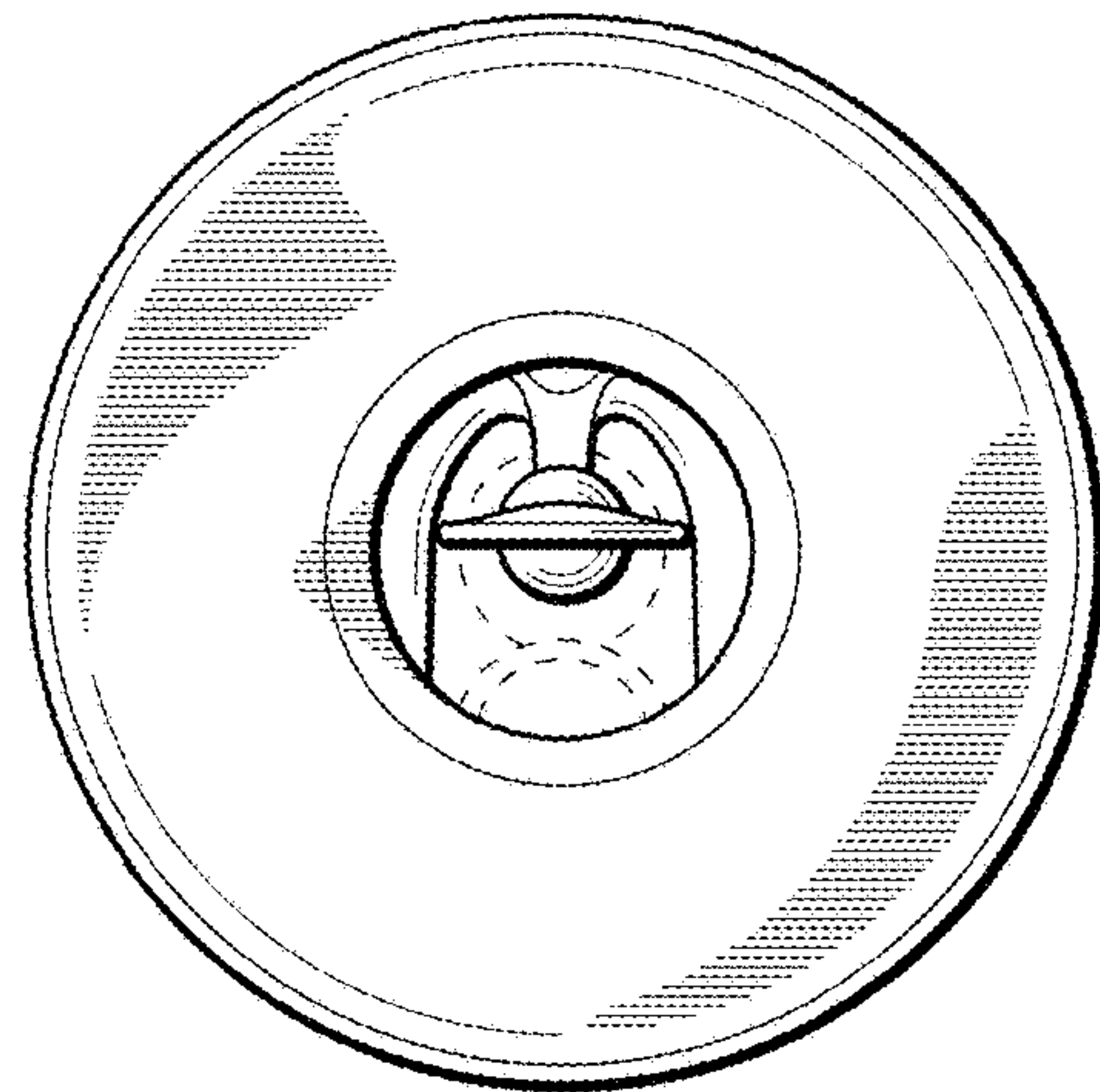


FIG. 5

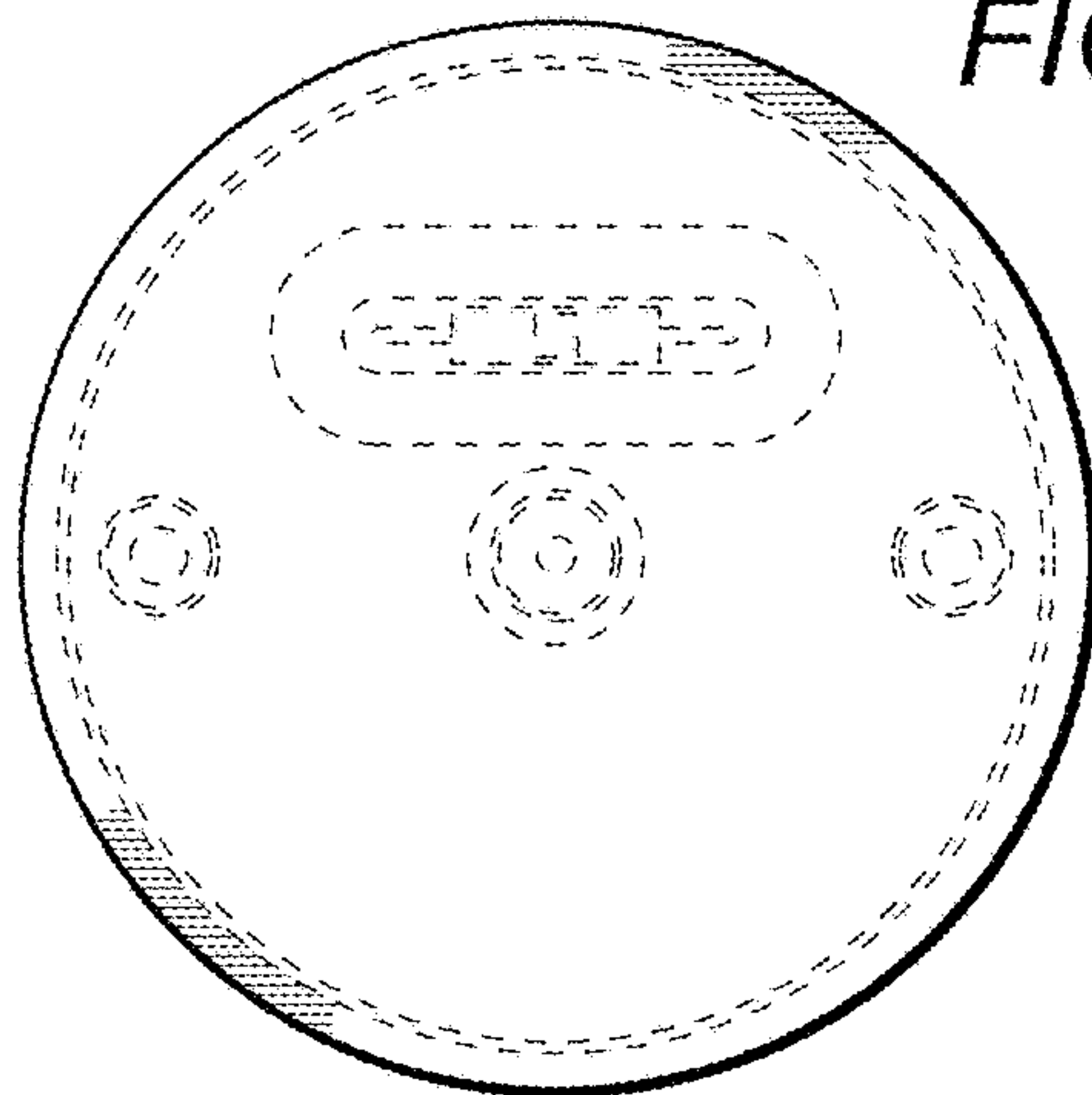
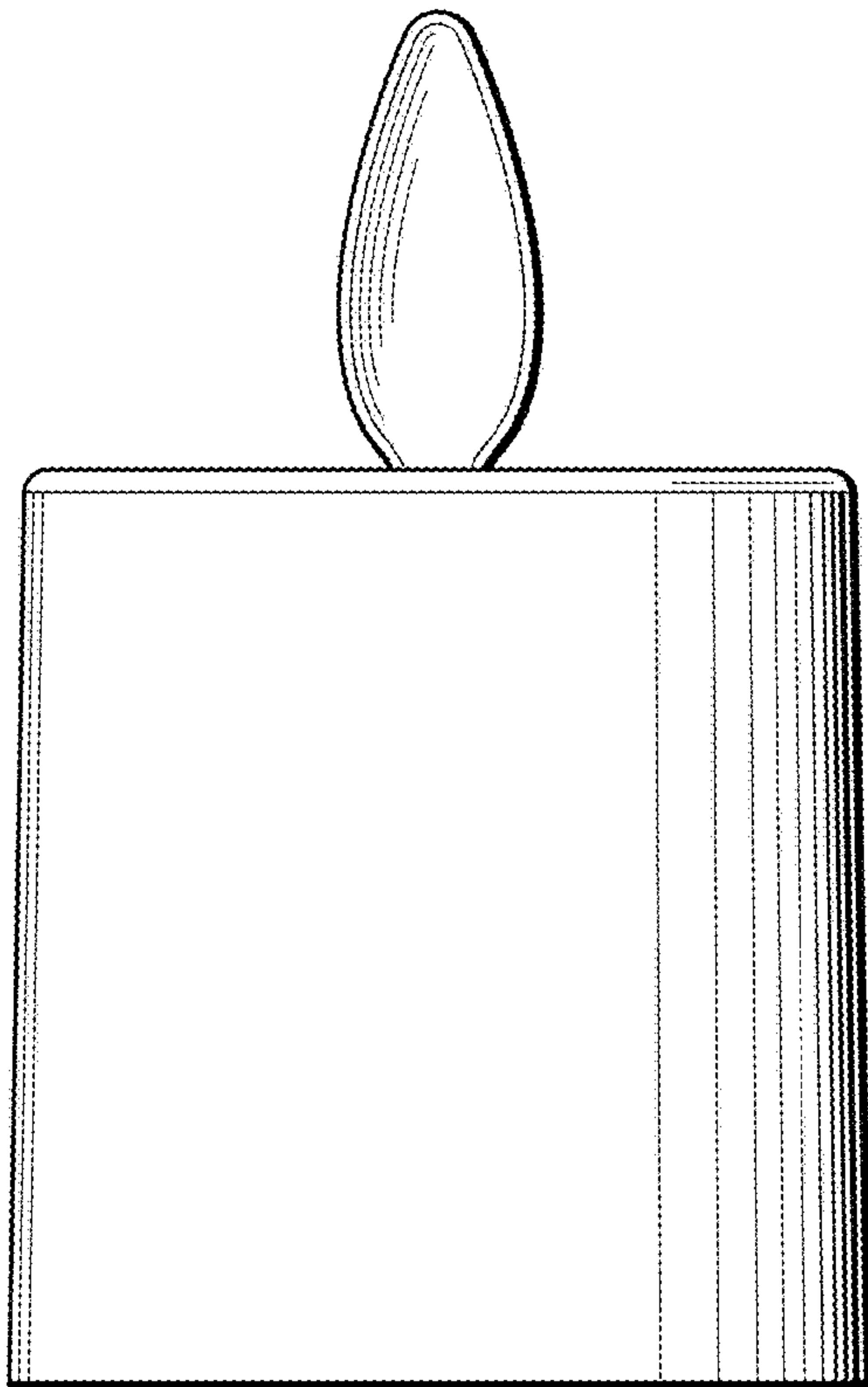
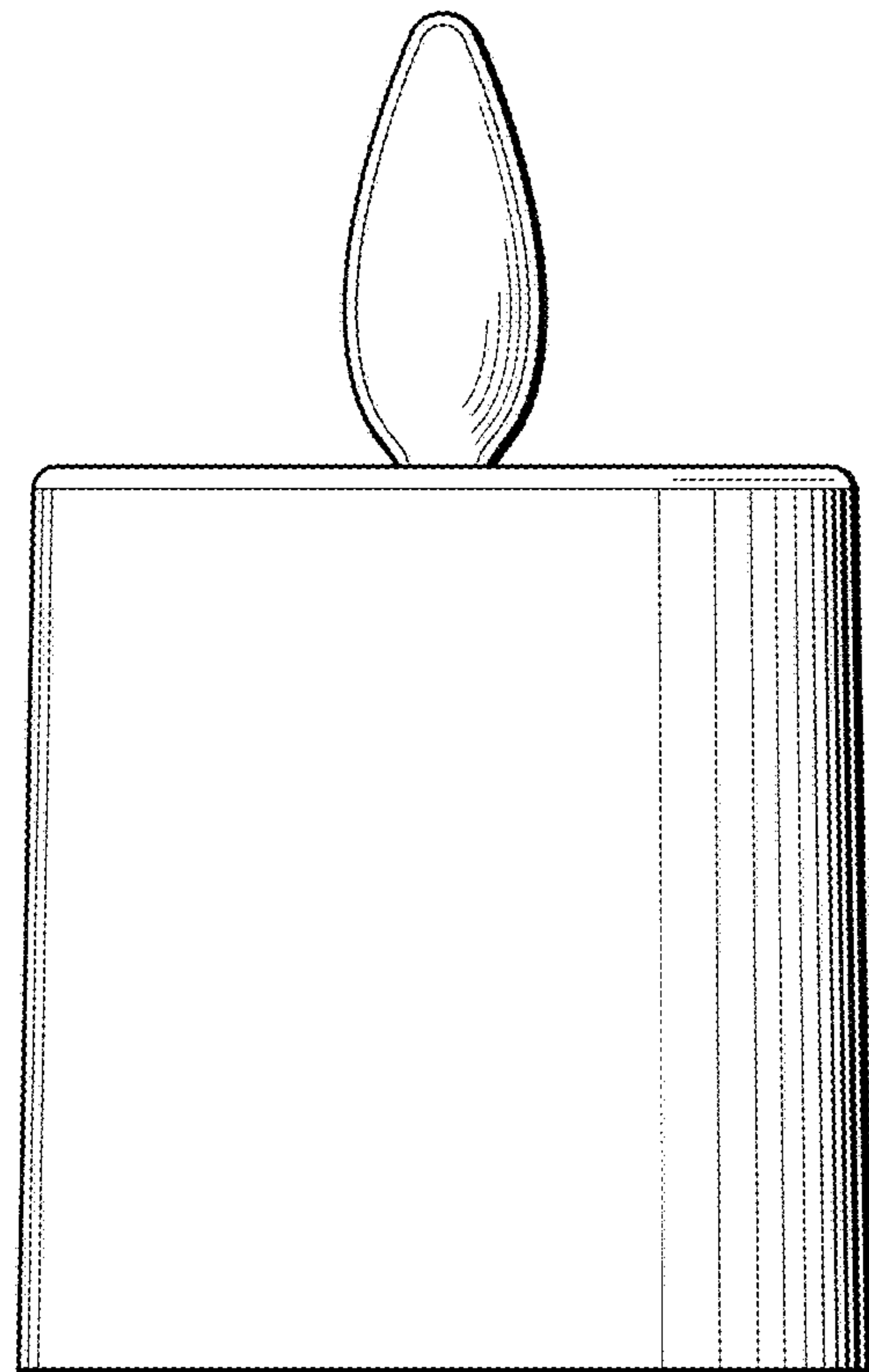


FIG. 6

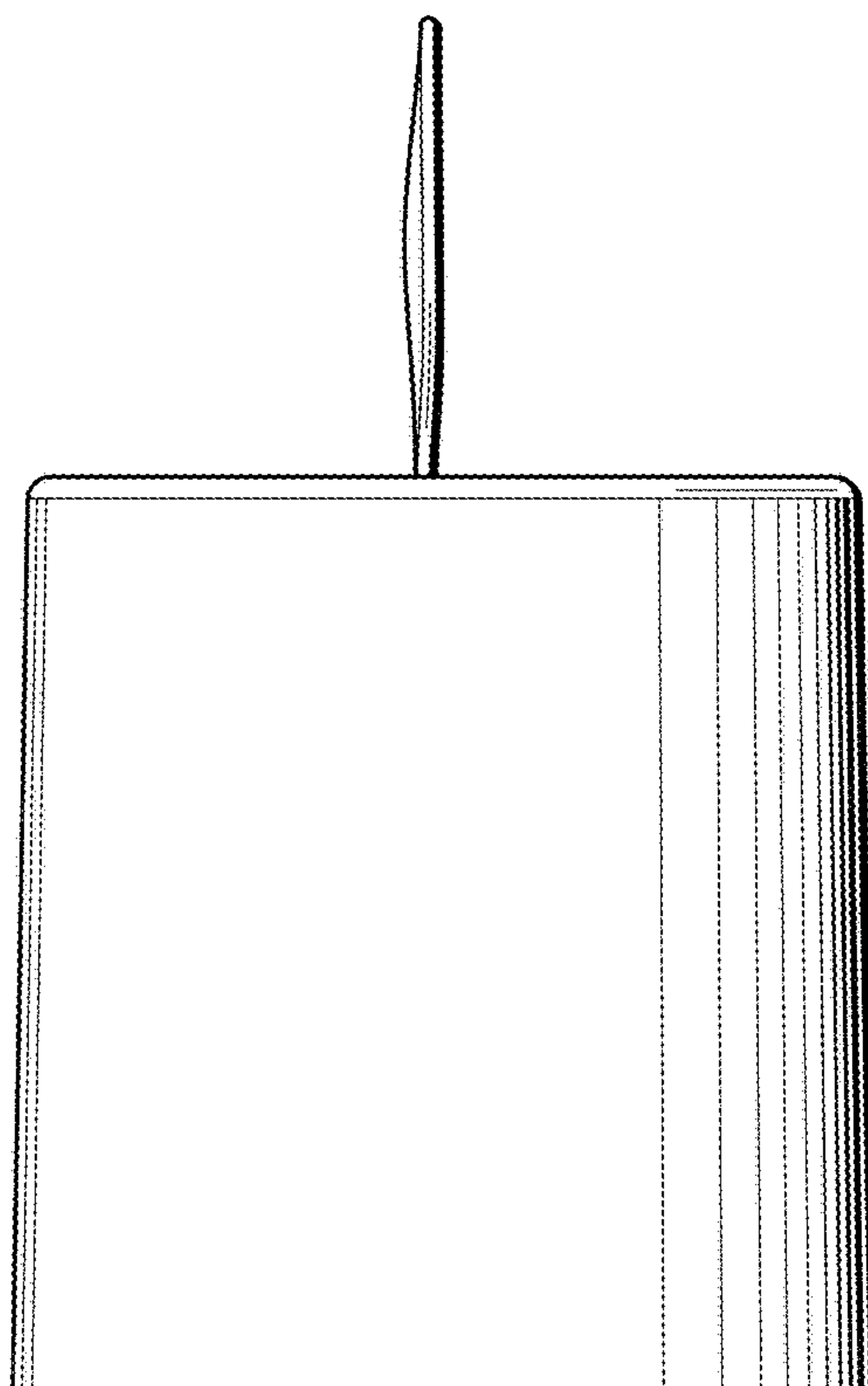




*FIG. 2*



*FIG. 3*



*FIG. 4*