



US00D786483S

(12) **United States Design Patent**
Sonneman

(10) **Patent No.:** **US D786,483 S**

(45) **Date of Patent:** **** *May 9, 2017**

(54) **SUSPENDED RECTILINEAR LIGHT
FIXTURE**

(71) Applicant: **Contemporary Visions, L.L.C.**,
Larchmont, NY (US)

(72) Inventor: **Robert A. Sonneman**, Mamaroneck,
NY (US)

(73) Assignee: **CONTEMPORARY VISIONS,
L.L.C.**, Larchmont, NY (US)

(*) Notice: This patent is subject to a terminal dis-
claimer.

(**) Term: **14 Years**

(21) Appl. No.: **29/471,517**

(22) Filed: **Nov. 1, 2013**

(51) **LOC (10) Cl.** **26-03**

(52) **U.S. Cl.**
USPC **D26/90**

(58) **Field of Classification Search**
USPC D26/72, 84, 85, 88, 90, 91, 118, 120,
D26/122, 123, 124; 362/147, 404-408,
362/431

CPC F21S 8/06; F21V 27/00; F21V 21/18
See application file for complete search history.

(56) **References Cited**

U.S. PATENT DOCUMENTS

D314,059 S * 1/1991 O'Neil D26/73
D468,474 S * 1/2003 Poulton D26/90
D558,380 S * 12/2007 Starck D26/76

D588,739 S * 3/2009 Janssen D26/90
D589,640 S * 3/2009 Janssen D26/90
D620,179 S * 7/2010 Sabernig D26/84
D649,278 S * 11/2011 Sabernig D26/90
D649,279 S * 11/2011 Sabernig D26/90
D657,487 S * 4/2012 Sabernig D26/84
D670,019 S * 10/2012 Sabernig D26/85
D674,954 S * 1/2013 Sonneman D26/88
D693,045 S * 11/2013 Kirschhoffer et al. D26/88
D700,989 S * 3/2014 Rampolla et al. D26/90

OTHER PUBLICATIONS

Stiletto 24 inch LED Pendant Light found at YLighting.com, visited
Jun. 2, 2014.*

Corona 43 inch Rectangular LED Pendant Light found at YLight-
ing.com, visited Jun. 2, 2014.*

* cited by examiner

Primary Examiner — Clare E Heflin

(74) *Attorney, Agent, or Firm* — Gottlieb, Rackman &
Reisman, PC

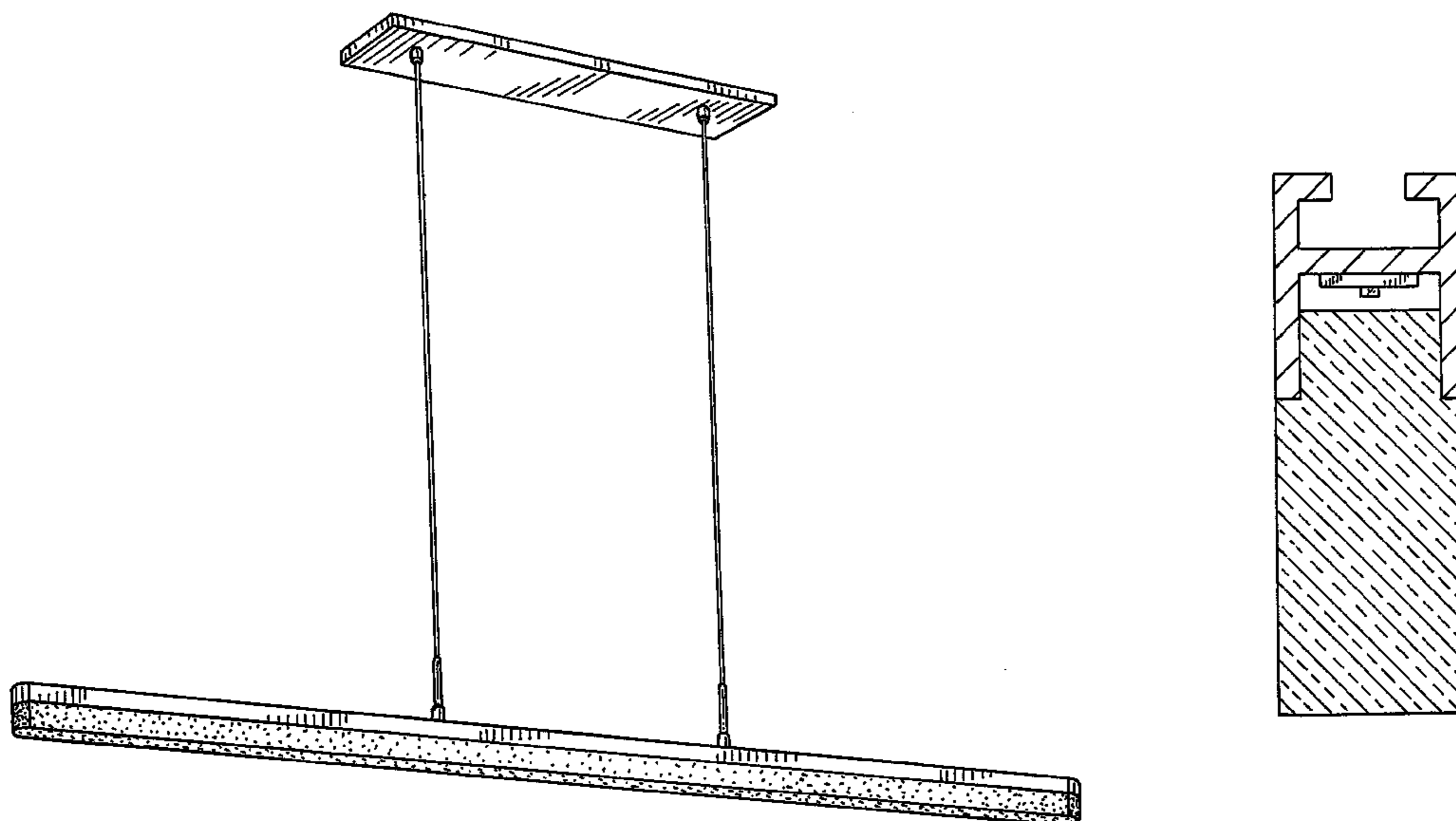
(57) **CLAIM**

The ornamental design for a suspended rectilinear light
fixture, as shown and described.

DESCRIPTION

FIG. 1 is a perspective view of the suspended rectilinear
light fixture showing my new design;
FIG. 2 is a top plan view thereof;
FIG. 3 is a front elevational view thereof;
FIG. 4 is a right side elevational view thereof; the left side
elevational view being a mirror image thereof;
FIG. 5 is a bottom plan view thereof; and,
FIG. 6 is an enlarged sectional view of FIG. 3.

1 Claim, 3 Drawing Sheets



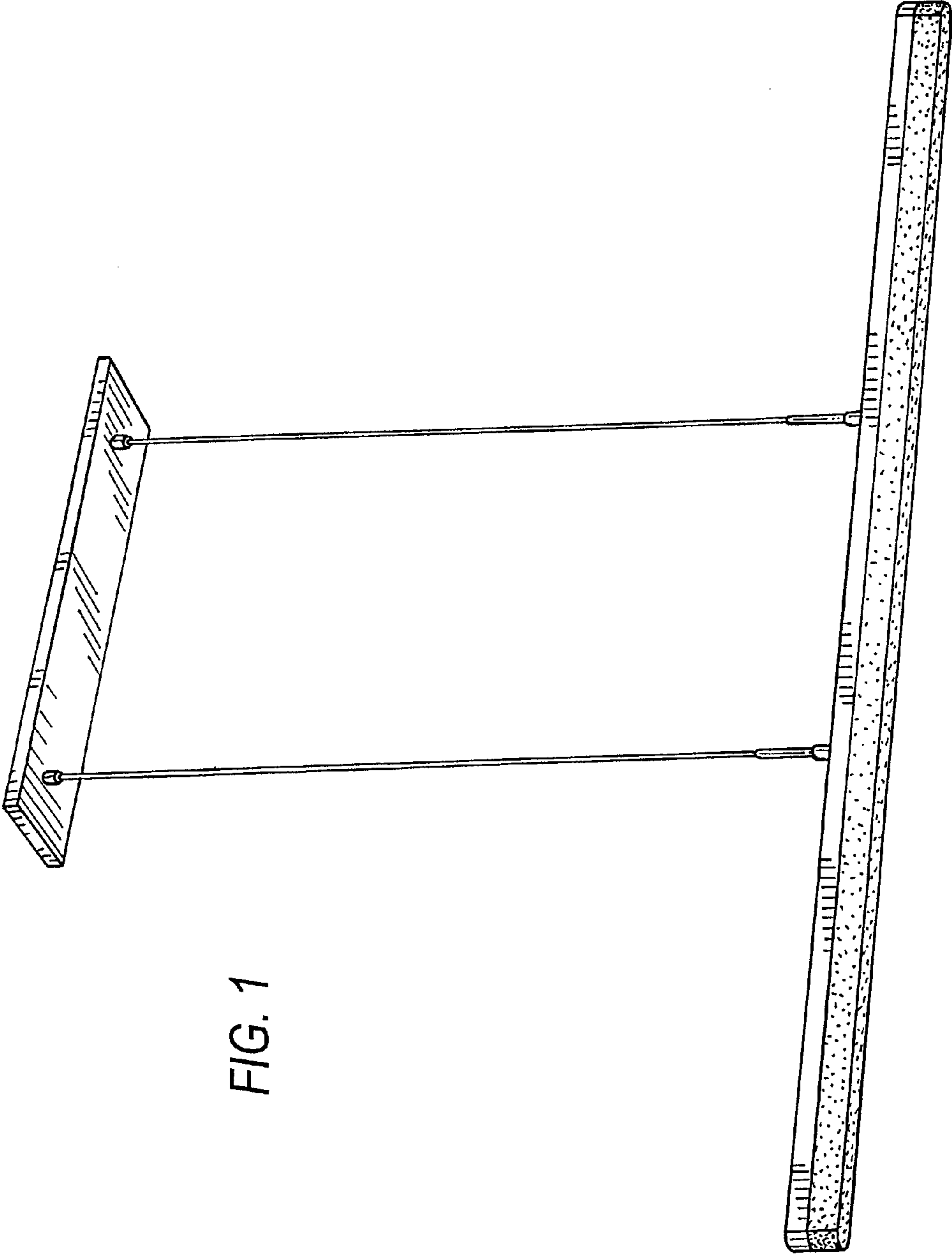


FIG. 1

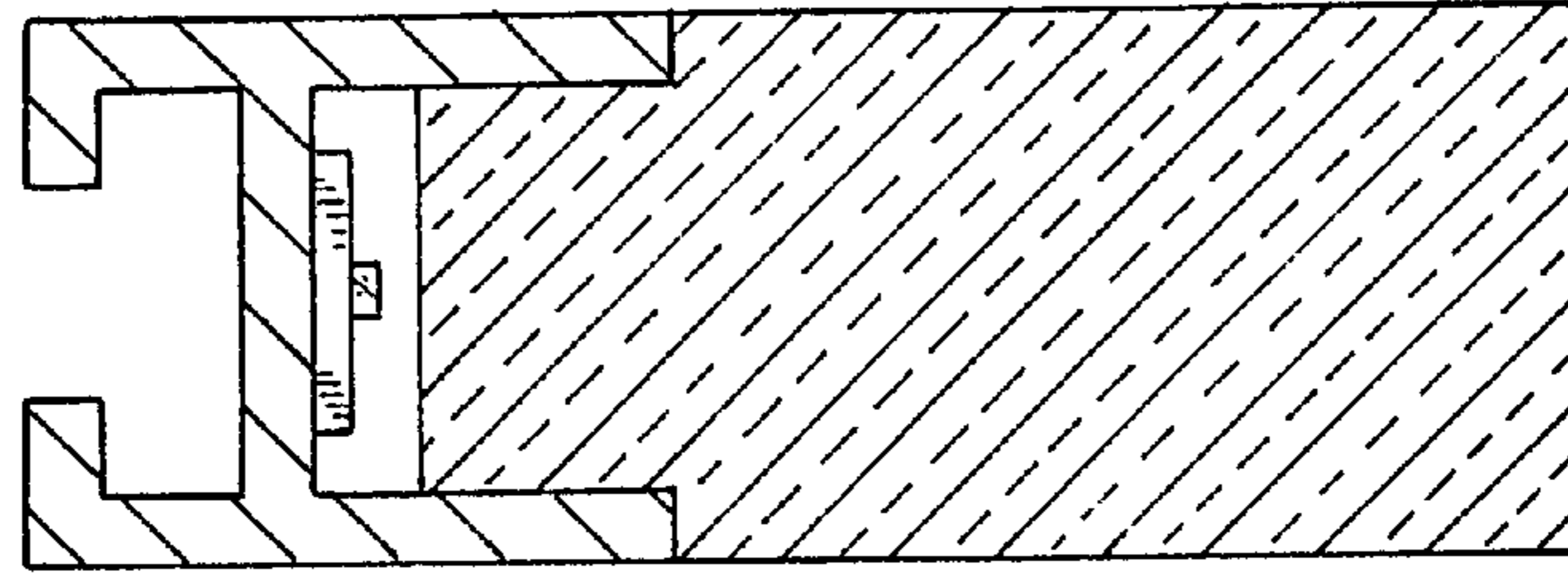
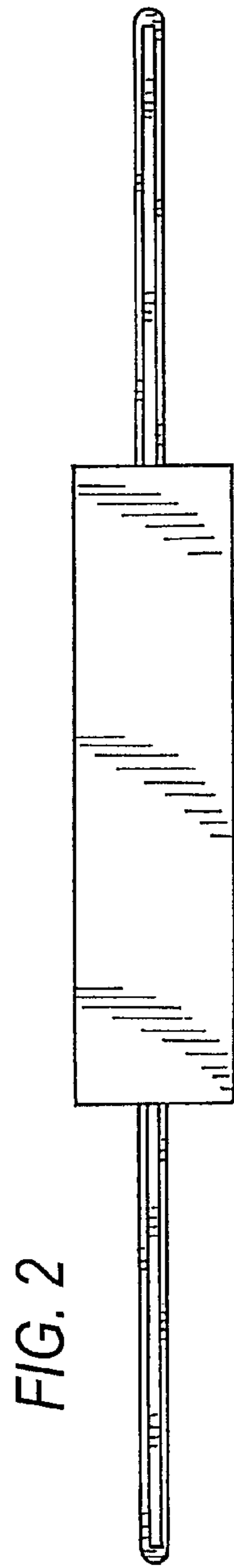


FIG. 6

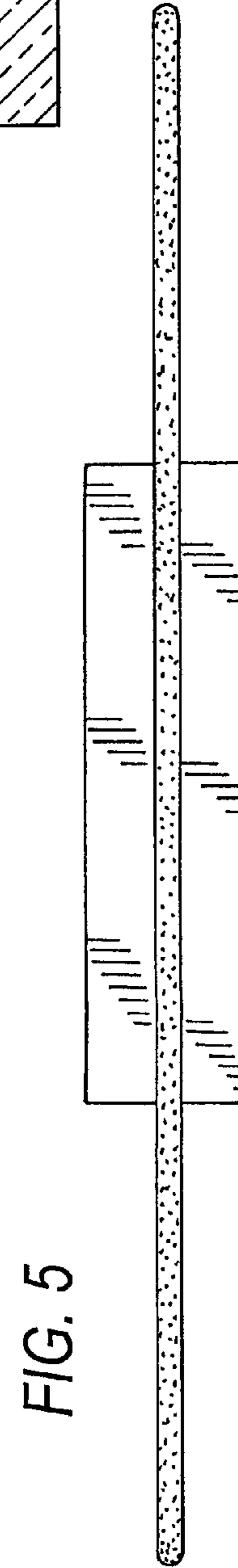


FIG. 5

FIG. 4

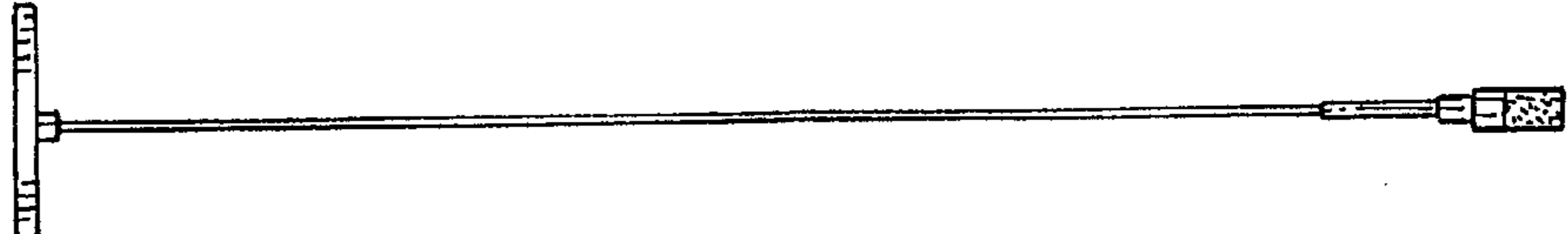


FIG. 3

