



US00D786482S

(12) **United States Design Patent** (10) **Patent No.:** **US D786,482 S**  
**Dixon** (45) **Date of Patent:** **\*\* May 9, 2017**

(54) **LIGHTING FIXTURE**

(71) Applicant: **Tom Dixon Limited**, London (GB)

(72) Inventor: **Tom Dixon**, Brighton (GB)

(73) Assignee: **TOM DIXON LIMITED**, London (GB)

(\*\*) Term: **15 Years**

(21) Appl. No.: **29/537,441**

(22) Filed: **Aug. 26, 2015**

(30) **Foreign Application Priority Data**

Feb. 27, 2015 (EM) ..... 002643304-0005

(51) **LOC (10) Cl.** ..... **26-03**

(52) **U.S. Cl.**  
USPC ..... **D26/88**

(58) **Field of Classification Search**  
USPC .... D26/67, 70, 72, 82-86, 88-91, 118, 128,  
D26/129, 132  
CPC .... F21S 8/06; F21S 8/061; F21S 8/063; F21S  
8/065; F21S 8/068; F21V 3/0418; F21V  
3/0427; F21V 3/0436; F21V 3/0445;  
F21V 21/008; F21V 21/104  
See application file for complete search history.

(56) **References Cited**

**U.S. PATENT DOCUMENTS**

3,336,474 A \* 8/1967 Leibl ..... F21V 31/005  
248/343  
D218,474 S \* 8/1970 Devine, Jr. .... D26/131  
6,076,946 A \* 6/2000 Brouillette, III ..... F21V 15/01  
362/183  
D467,360 S \* 12/2002 Wang ..... D26/4  
D481,157 S \* 10/2003 Fickas ..... D26/128

D481,489 S \* 10/2003 Cline ..... D26/128  
D494,310 S \* 8/2004 Cline ..... D26/128  
D565,238 S \* 3/2008 Lee ..... D26/128  
D575,894 S \* 8/2008 Lissoni ..... D26/128  
D597,243 S \* 7/2009 Trumble ..... D26/84  
D628,740 S \* 12/2010 Arbel ..... D26/128  
D632,835 S \* 2/2011 Arbel ..... D26/128  
D679,851 S \* 4/2013 Smith ..... D26/118  
D709,637 S \* 7/2014 Terzani ..... D26/83  
D711,579 S \* 8/2014 Watanabe ..... D26/138  
D751,235 S \* 3/2016 Sonneman ..... D26/88  
D754,909 S \* 4/2016 Toft Hansen ..... D26/88  
D762,323 S \* 7/2016 Arbel ..... D26/118

**OTHER PUBLICATIONS**

Round Pendant light fixture found at modernlightinguniverse.com visited Jun. 16, 2009.\*

“ORB” pendant light fixture on p. 74 of catalog from Design Research Ltd. © 2011. ( 2 pages, includes rear cover of catalog).\*

\* cited by examiner

*Primary Examiner* — Clare E Hefflin

(74) *Attorney, Agent, or Firm* — Soroker Agmon Nordman

(57) **CLAIM**

The ornamental design for a lighting fixture, as shown and described.

**DESCRIPTION**

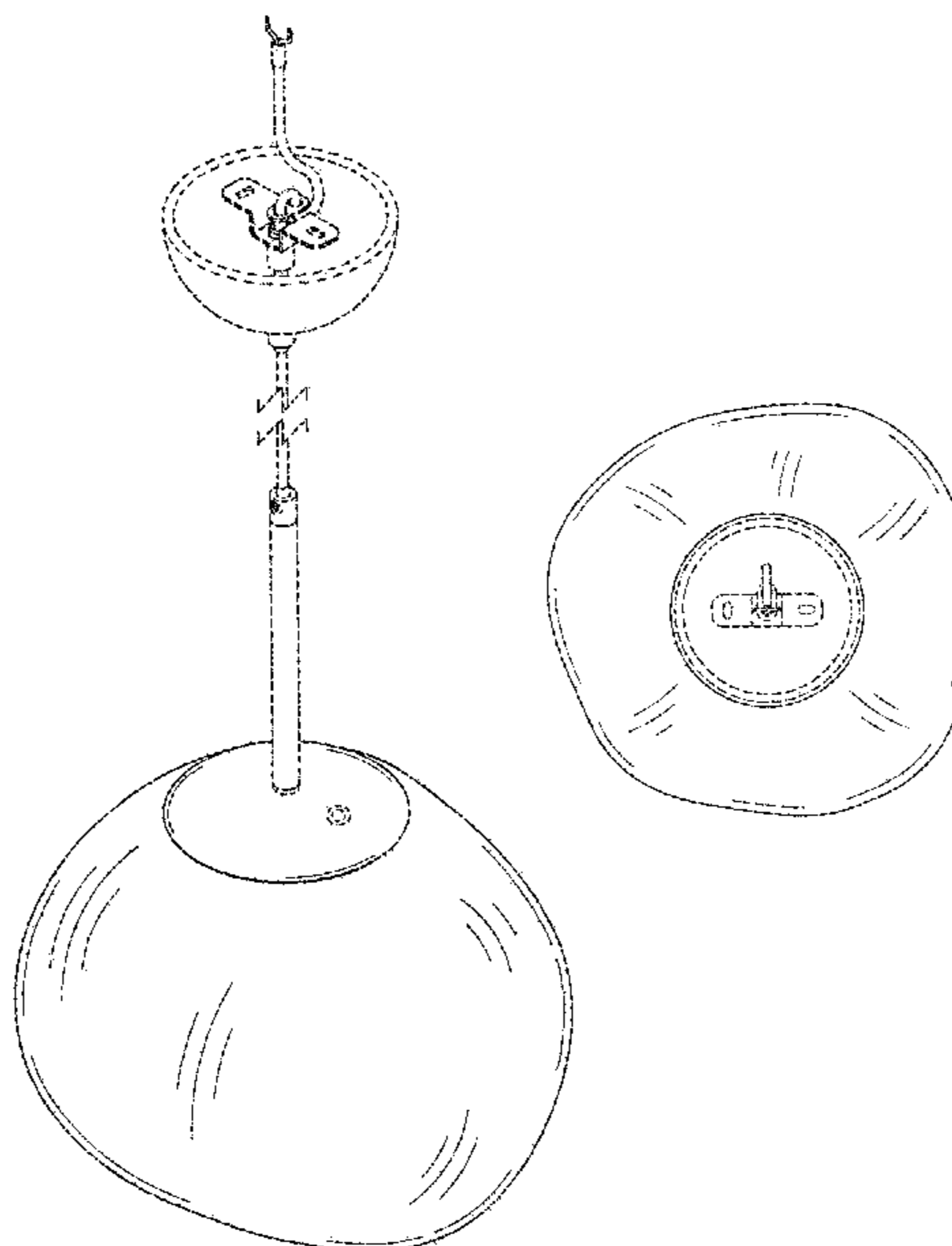
FIG. 1 is a perspective view of a lighting fixture showing my new design;

FIG. 2 is a side view thereof; and,

FIG. 3 is a top view thereof.

The broken lines shown on the drawings depict portions of the lighting fixture that form no part of the claimed design.

**1 Claim, 3 Drawing Sheets**



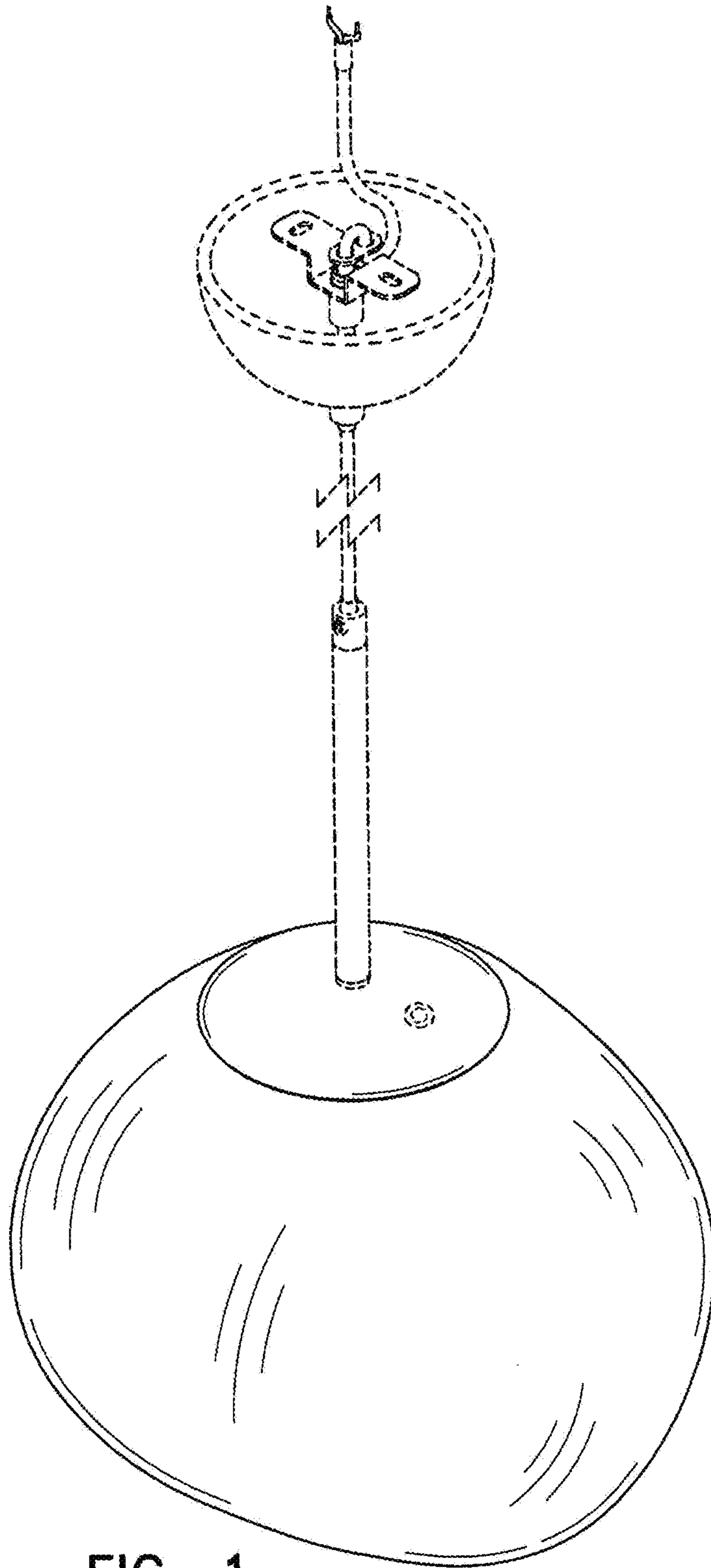


FIG. 1

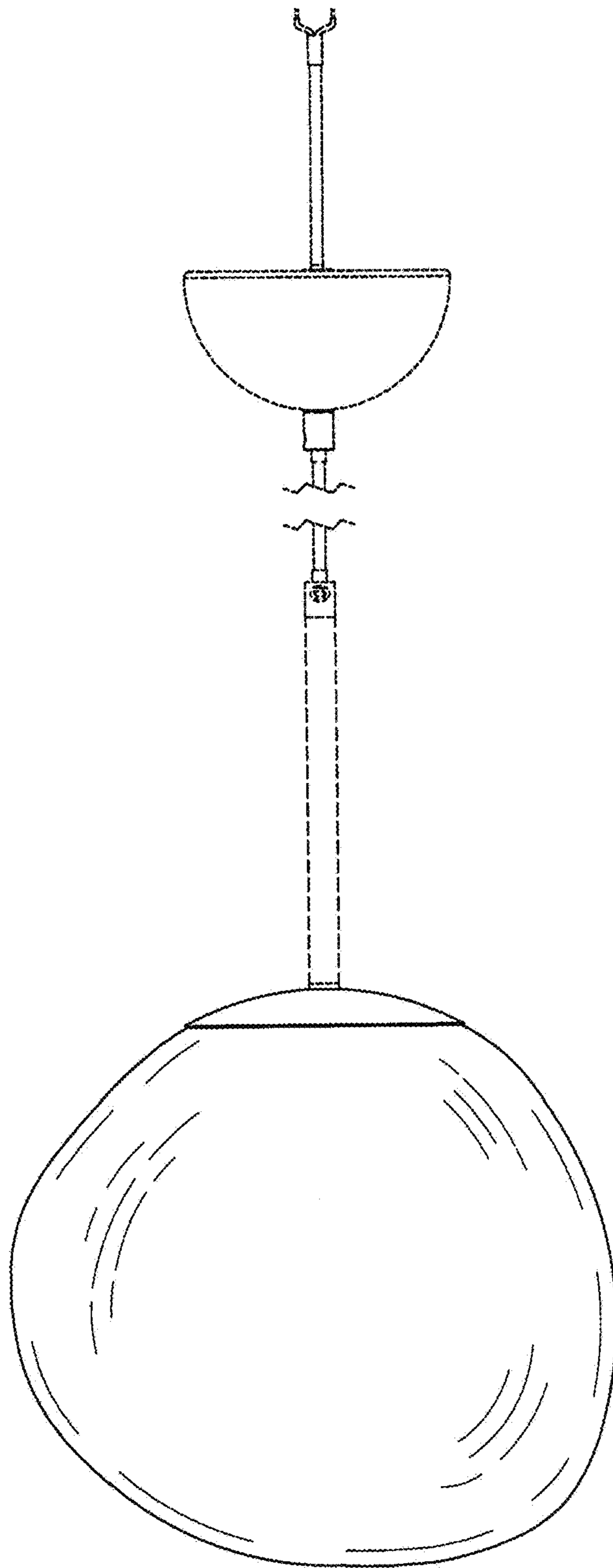


FIG. 2

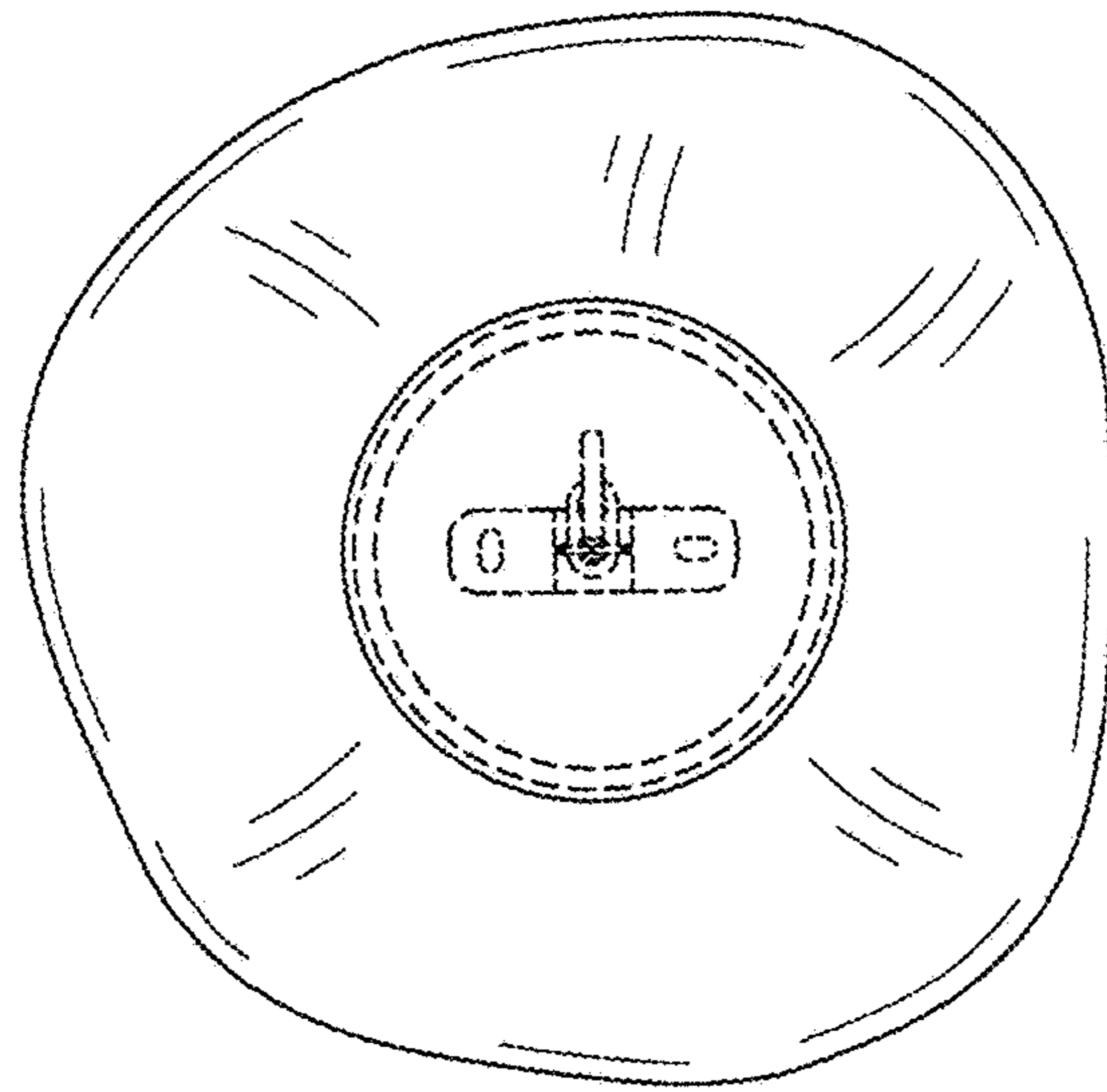


FIG. 3