



US00D786481S

(12) **United States Design Patent**
Wiedemer

(10) **Patent No.:** **US D786,481 S**

(45) **Date of Patent:** **** May 9, 2017**

(54) **LIGHTING FIXTURE**

(71) Applicant: **Hinkley Lighting, Inc.**, Avon Lake, OH
(US)

(72) Inventor: **Rick Wiedemer**, Rocky River, OH
(US)

(73) Assignee: **HINKLEY LIGHTING, INC.**, Avon
Lake, OH (US)

(**) Term: **15 Years**

(21) Appl. No.: **29/530,743**

(22) Filed: **Jun. 18, 2015**

(51) **LOC (10) Cl.** **26-03**

(52) **U.S. Cl.**
USPC **D26/81**

(58) **Field of Classification Search**
USPC D26/81-91, 143, 144
CPC F21S 8/04; F21S 8/043; F21S 8/046; F21S
8/06; F21S 8/061; F21S 8/063; F21S
8/065

See application file for complete search history.

(56) **References Cited**

U.S. PATENT DOCUMENTS

977,355	A	*	11/1910	Williams	F16G 13/16 362/404
D48,143	S	*	11/1915	Adam	D26/149
D70,540	S	*	7/1926	Crumley	D26/81
D101,033	S	*	9/1936	Glatthar et al.	D26/81
D384,764	S	*	10/1997	Littman	D26/76
D465,298	S	*	11/2002	Gottwald	D26/85
D483,514	S	*	12/2003	Cuevas	D26/81
D490,557	S	*	5/2004	Cuevas	D26/142
D520,669	S	*	5/2006	Brunner	D26/81
D539,962	S	*	4/2007	Hsu	D26/81
D547,000	S	*	7/2007	Bayer	D26/152
D557,453	S	*	12/2007	Yando	D26/144
D578,701	S	*	10/2008	Schuyler	D26/144
D580,088	S	*	11/2008	Orozco	D26/81

D634,887	S	*	3/2011	Kitts	D26/143
D660,510	S	*	5/2012	Bracher	D26/143
D672,493	S	*	12/2012	Lee	D26/88

(Continued)

OTHER PUBLICATIONS

Quoizel Hacienda Coahuila Chandelier.From the Lamps Plus 2007
Holiday Catalog. Received Nov. 19, 2007.*

(Continued)

Primary Examiner — Clare E Heflin

(74) *Attorney, Agent, or Firm* — Pearne & Gordon LLP

(57) **CLAIM**

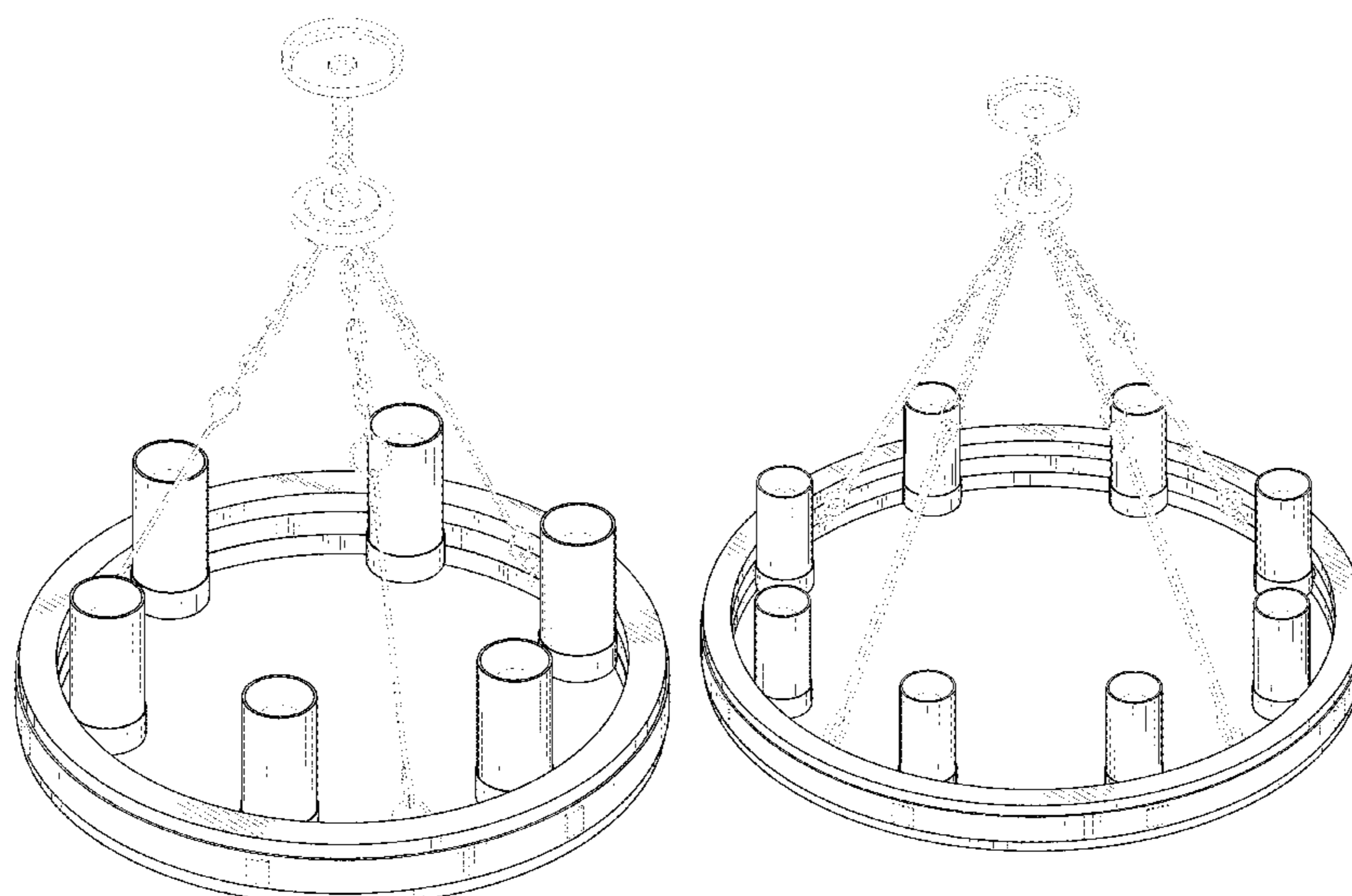
The ornamental design for a lighting fixture, as shown and
described.

DESCRIPTION

FIG. 1 is a top perspective view of the lighting fixture showing a first embodiment of the new design;
 FIG. 2 is a bottom perspective view thereof;
 FIG. 3 is a front elevation view thereof;
 FIG. 4 is a side elevation view thereof;
 FIG. 5 is a rear elevation view thereof;
 FIG. 6 is an opposite side elevation view thereof;
 FIG. 7 is a top view thereof;
 FIG. 8 is a bottom view thereof;
 FIG. 9 is a top perspective view of the lighting fixture showing a second embodiment of the new design;
 FIG. 10 is a bottom perspective view thereof;
 FIG. 11 is a front elevation view thereof;
 FIG. 12 is a side elevation view thereof;
 FIG. 13 is a rear elevation view thereof;
 FIG. 14 is an opposite side elevation view thereof;
 FIG. 15 is a top view thereof; and,
 FIG. 16 is a bottom view thereof.

Features of the lighting fixture illustrated in broken lines form no part of the claimed design.

1 Claim, 16 Drawing Sheets



(56)

References Cited

U.S. PATENT DOCUMENTS

D687,589 S * 8/2013 Wick D26/90
2009/0213581 A1 * 8/2009 Gauger F21S 8/065
362/161

OTHER PUBLICATIONS

Revolution Collection Bronze Round Chandelier from Lamps Plus.
Found at lampsplus.com visited Sep. 23, 2005.*

Circolo Collection Model Nos. 2343, 2344 and 2345 shown on pp.
s622 and s623 of the Kichler Catalog K107, Jan. 2007. (3 pages,
includes front and rear covers of catalog).*

“Rock Candy” 8-light chandelier Model SU6238 from LBL Light-
ing ©2015.*

“Crenshaw” ring chandelier model 3746-PRC from crenshawlight-
ing.com visited Dec. 30, 2016.*

“Silo” six-light chandelier by Maxim Lighting found at bel-
lacorlighting.com visited Dec. 30, 2016. (4 pages).*

“Ralph Lauren Roark” modular ring chandelier from Vaquoux
blogspot dated Jul. 27, 2016.*

* cited by examiner

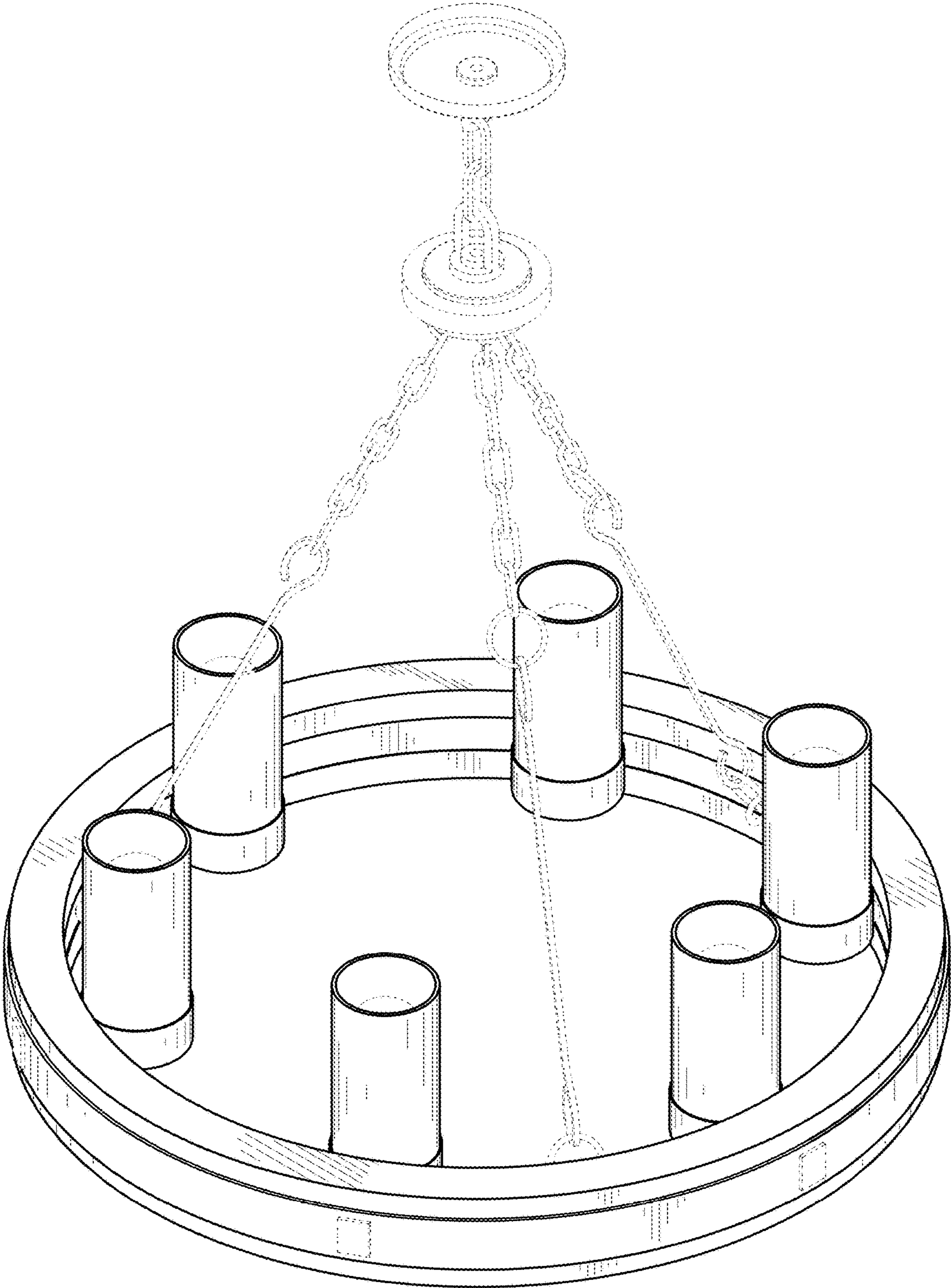


Fig. 1

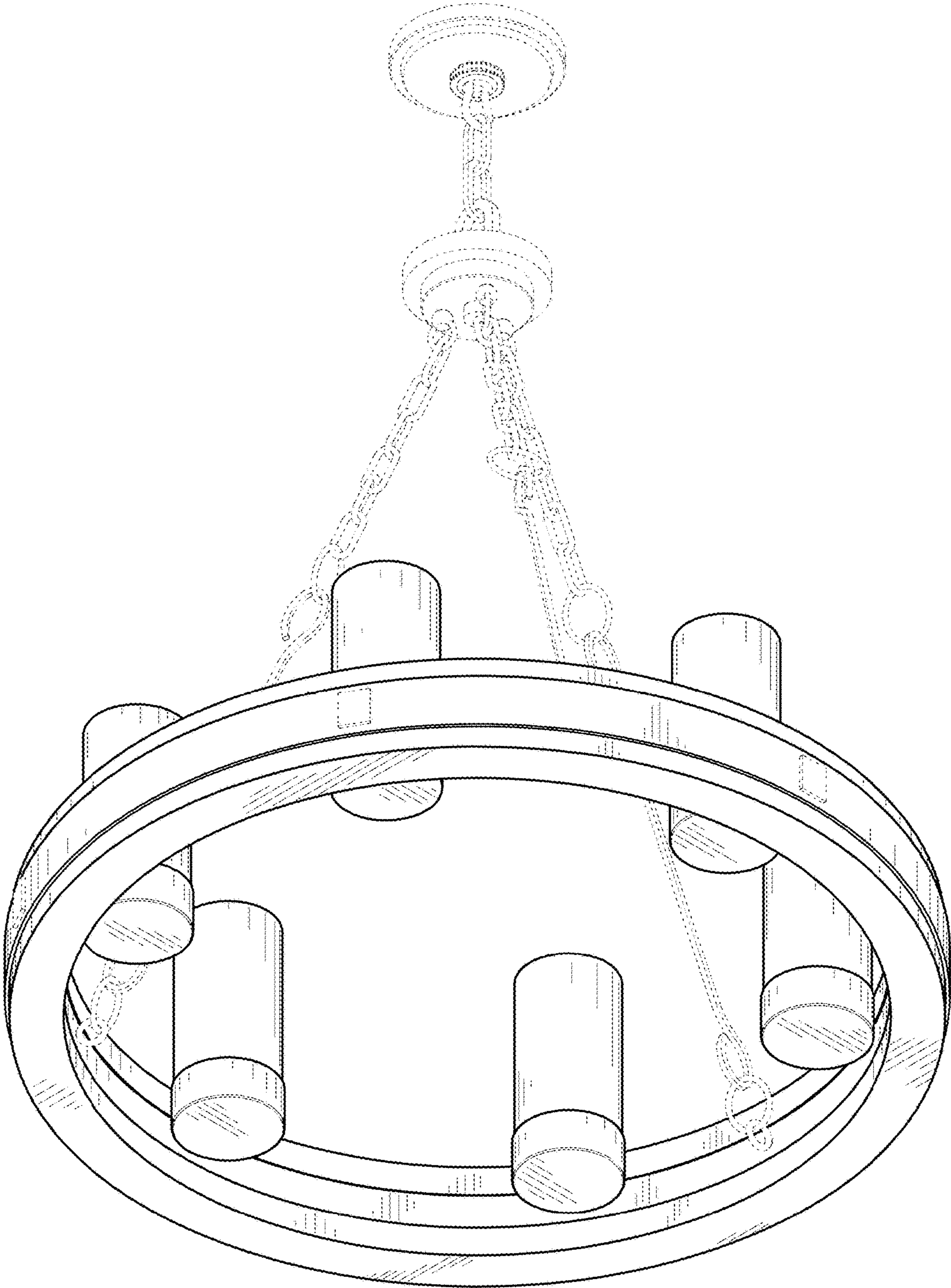


Fig. 2

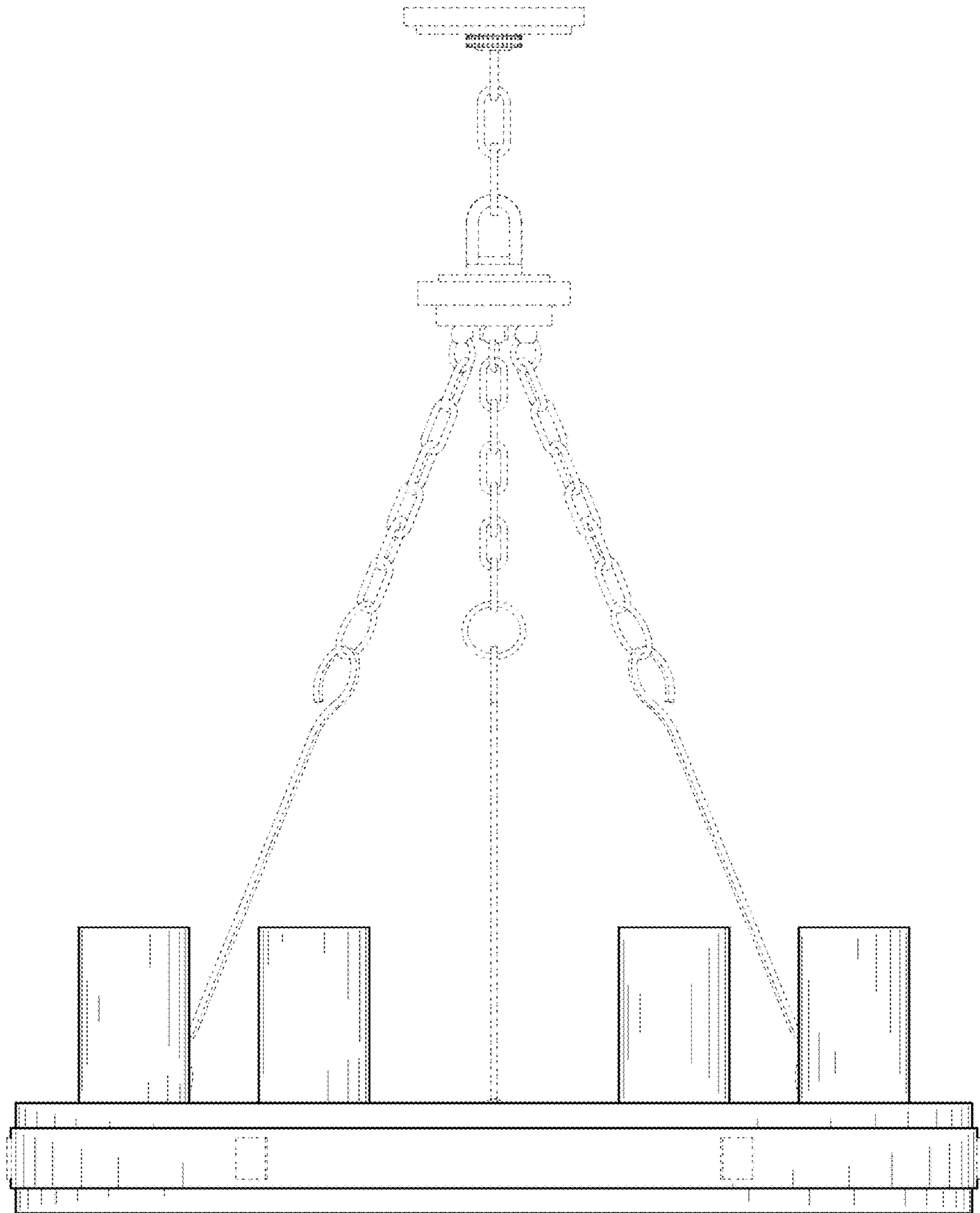


Fig. 3

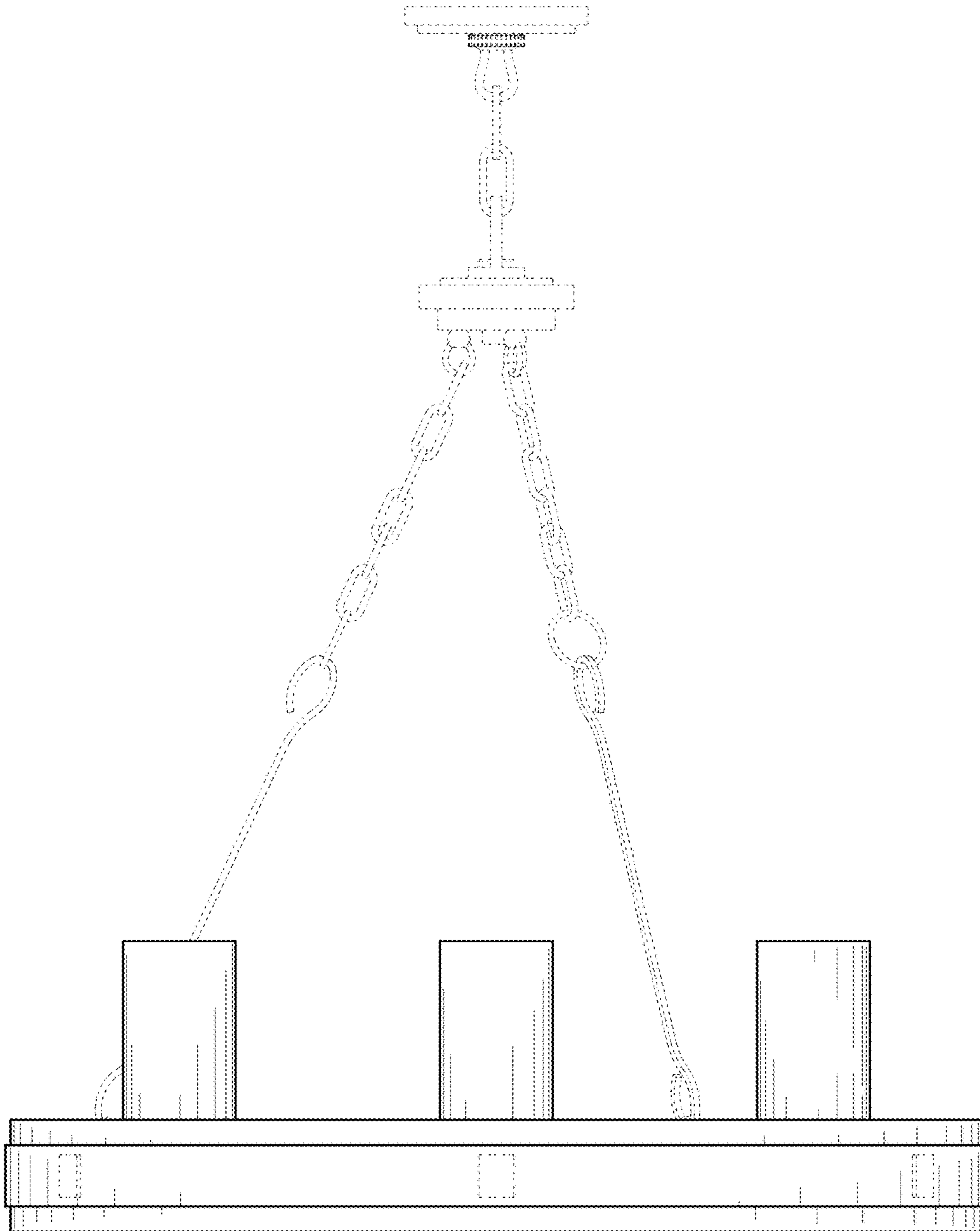


Fig. 4

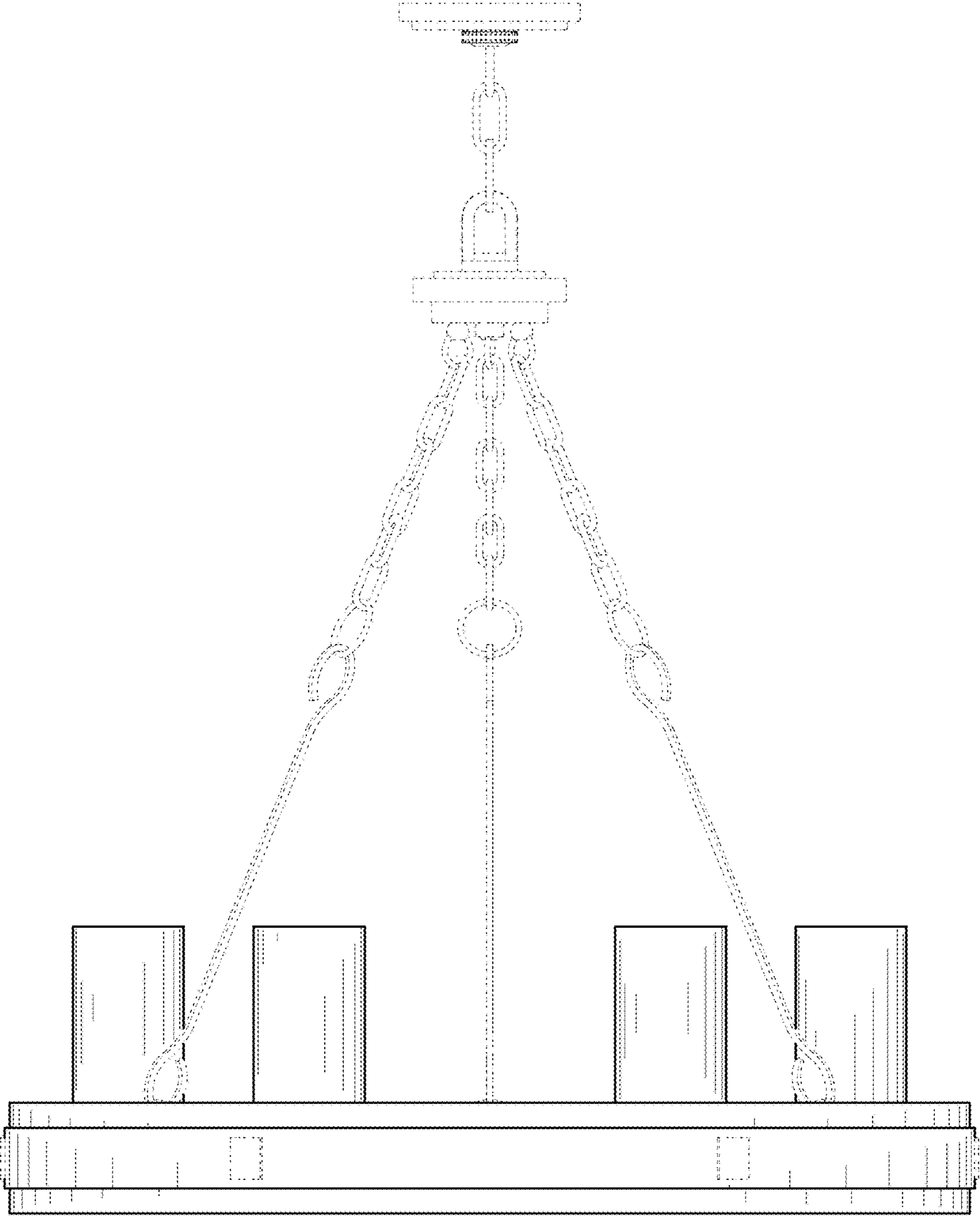


Fig. 5

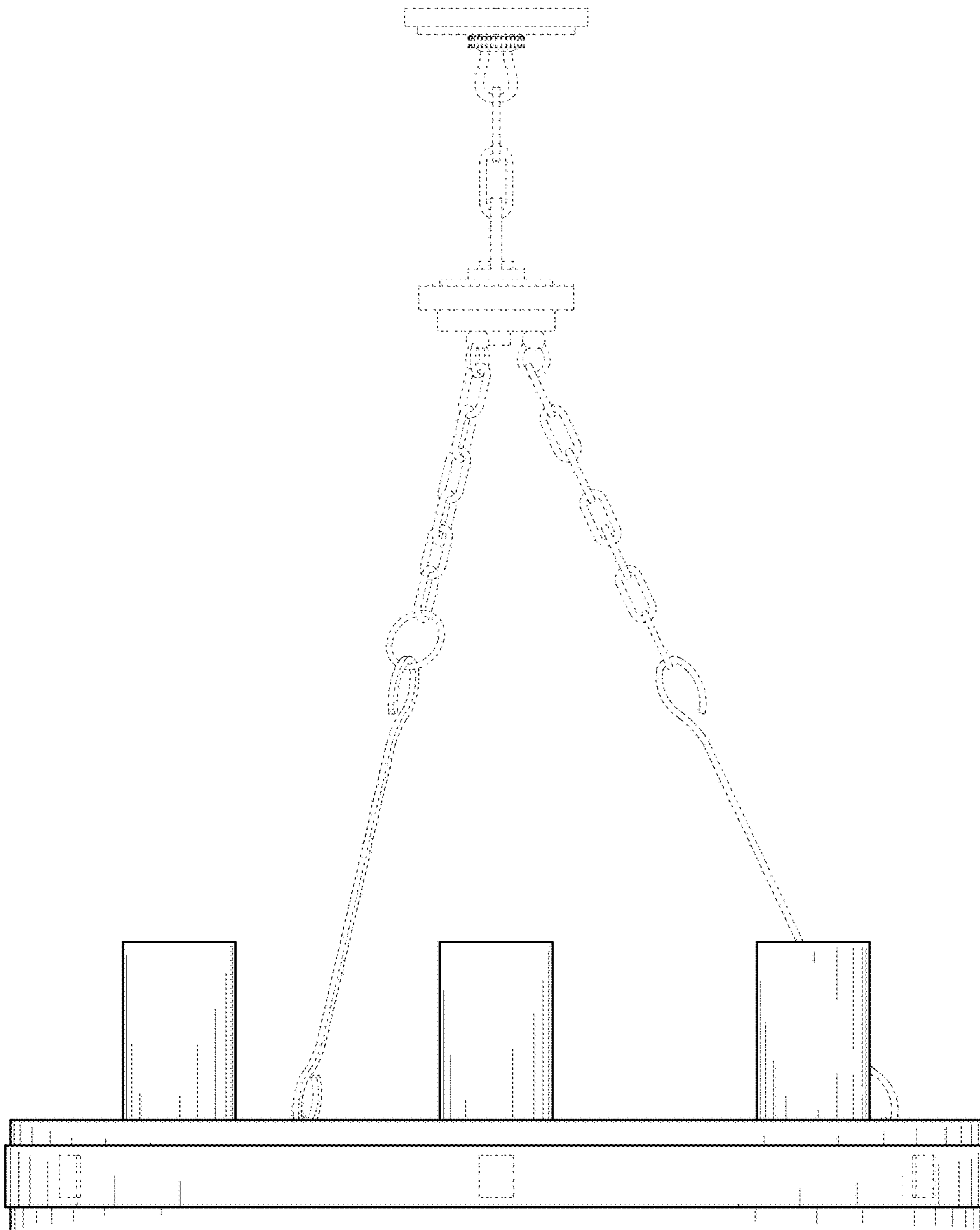


Fig. 6

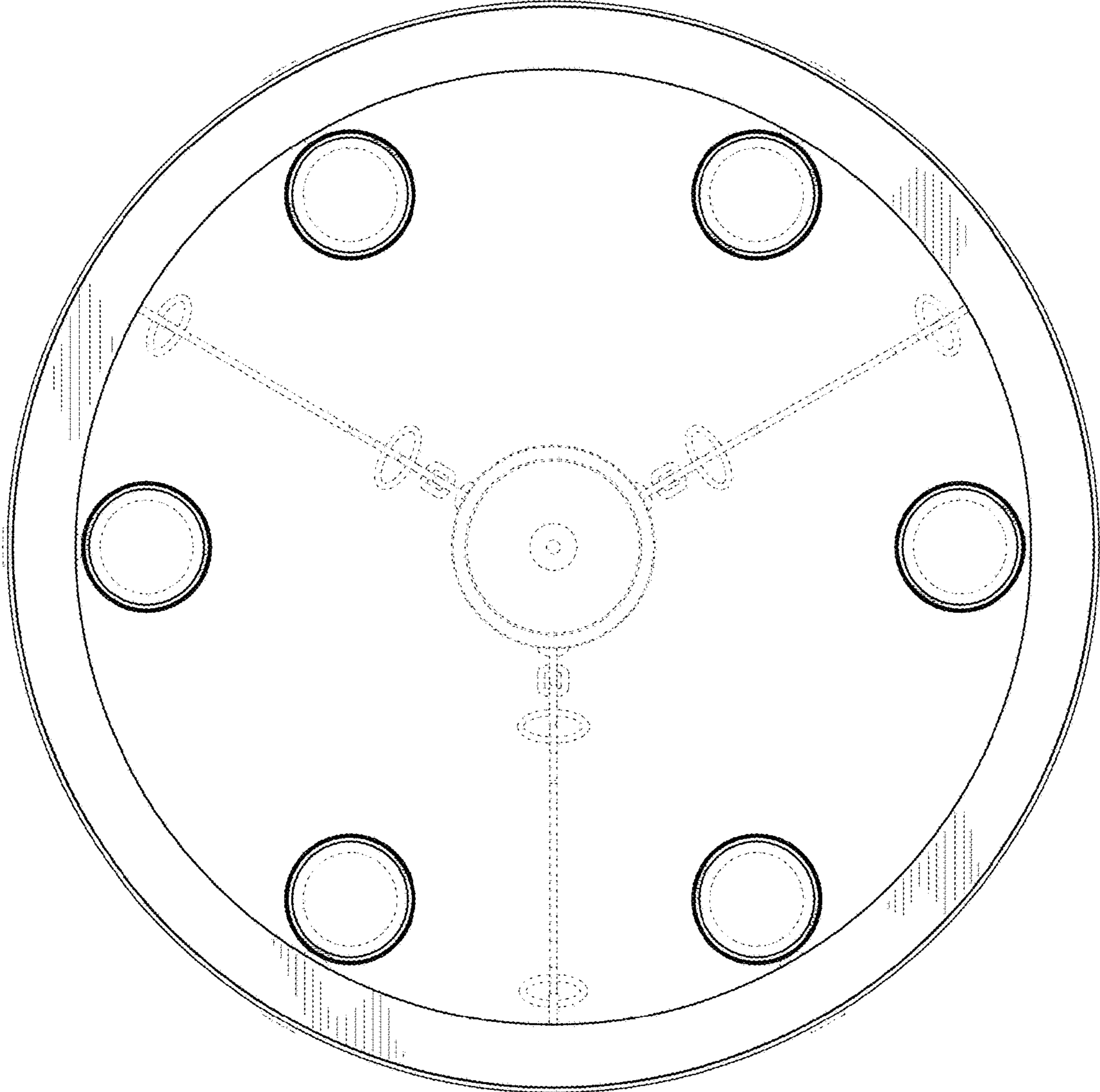


Fig. 7

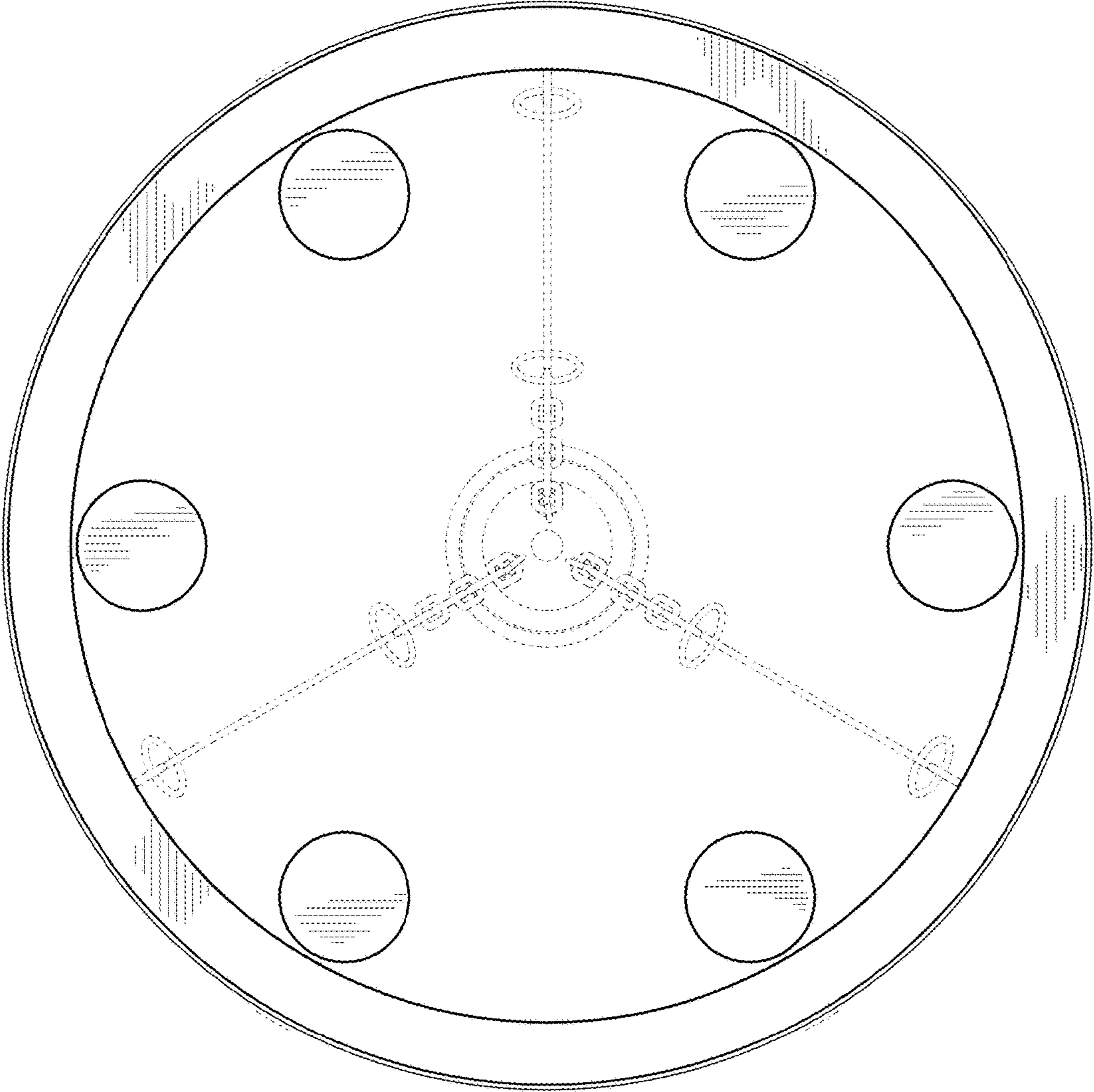


Fig. 8

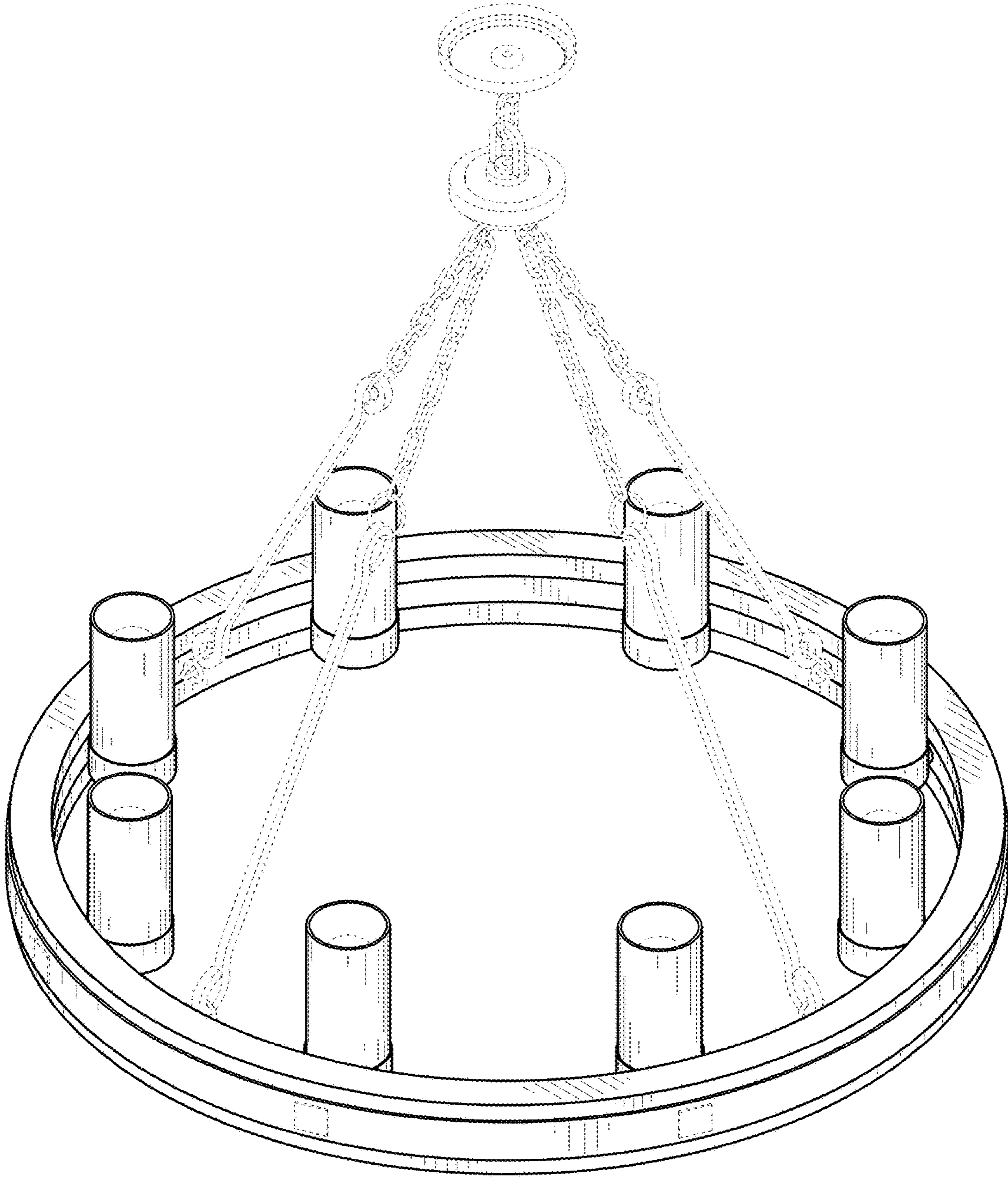


Fig. 9

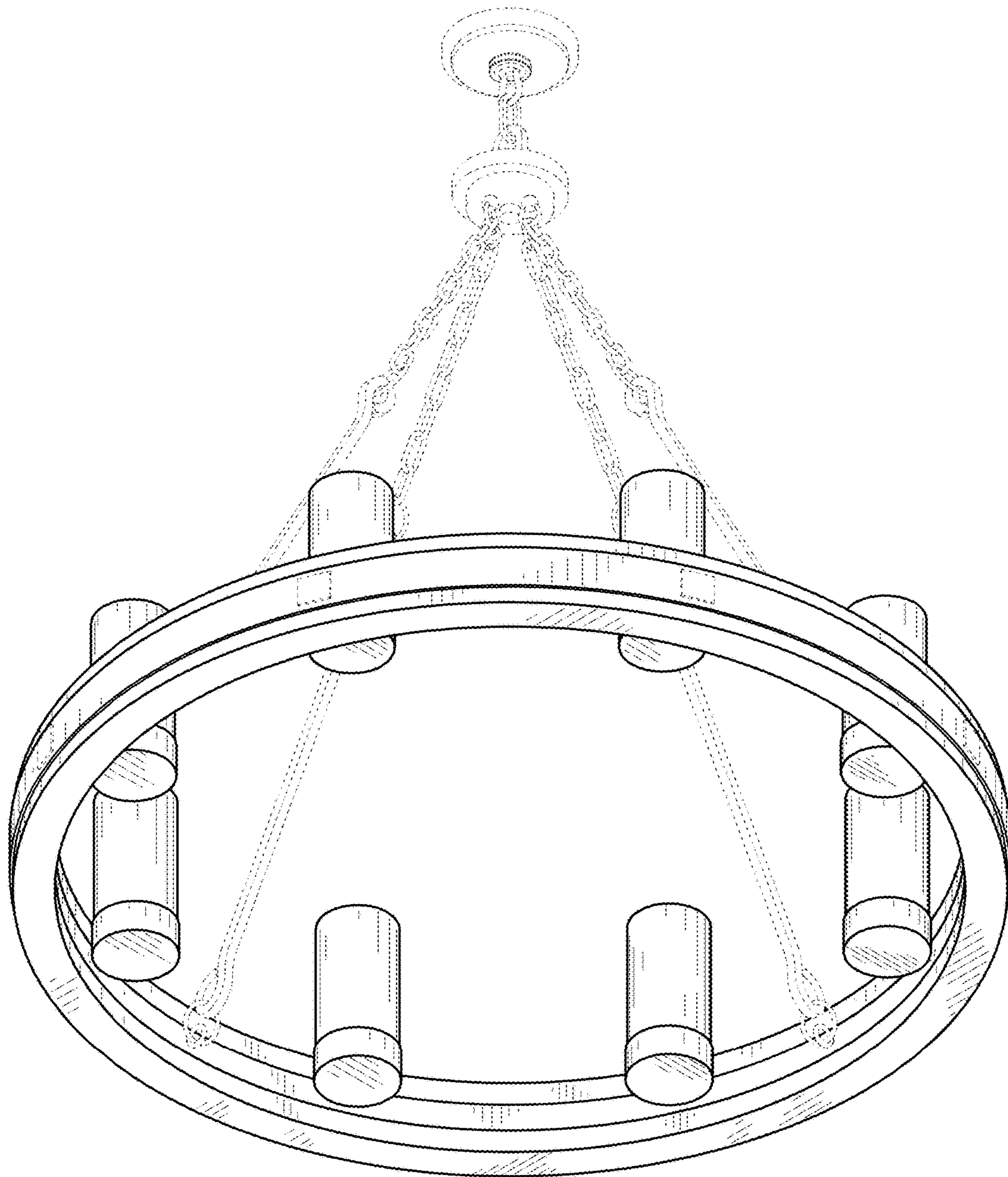


Fig. 10

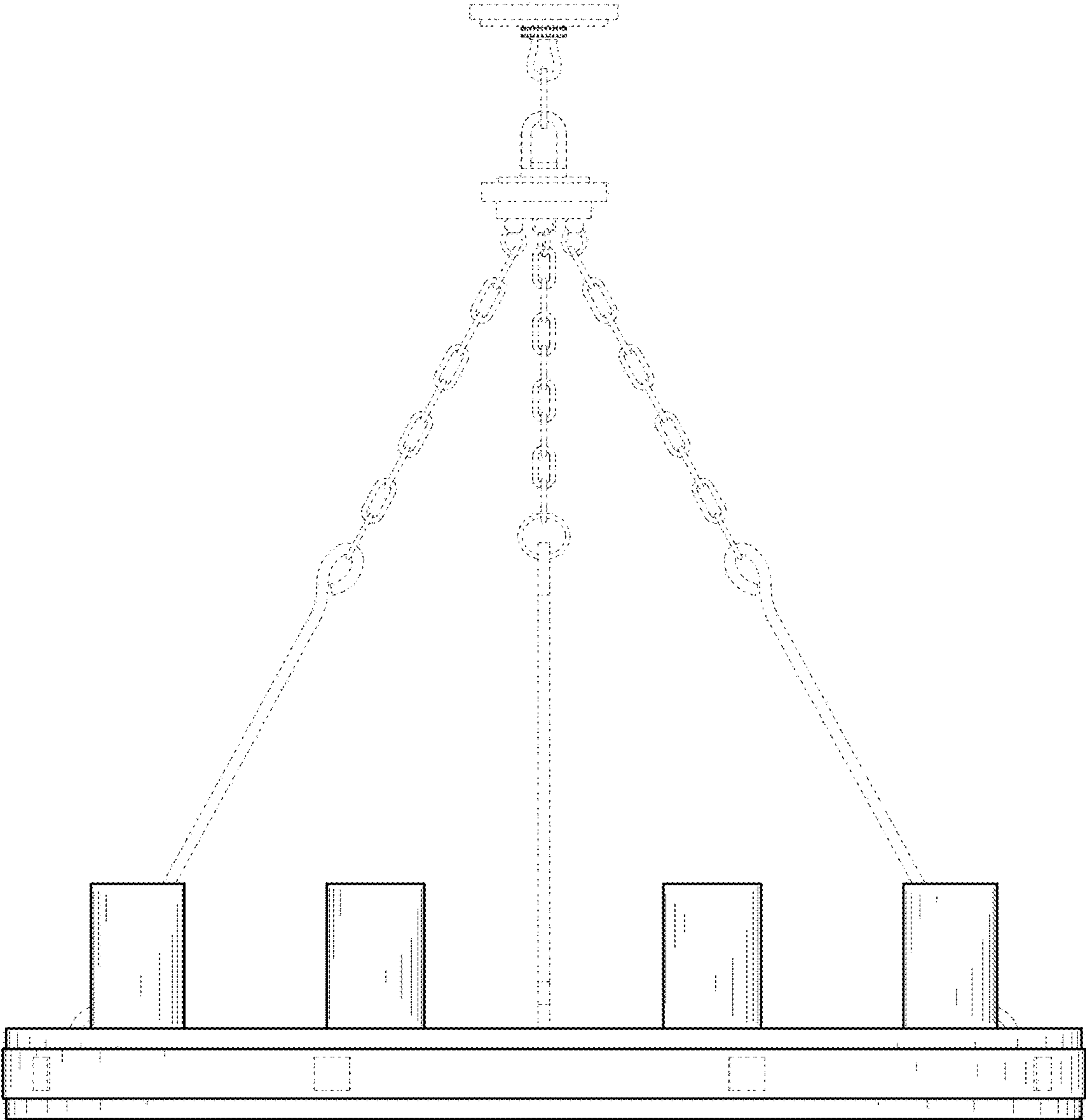


Fig. 11

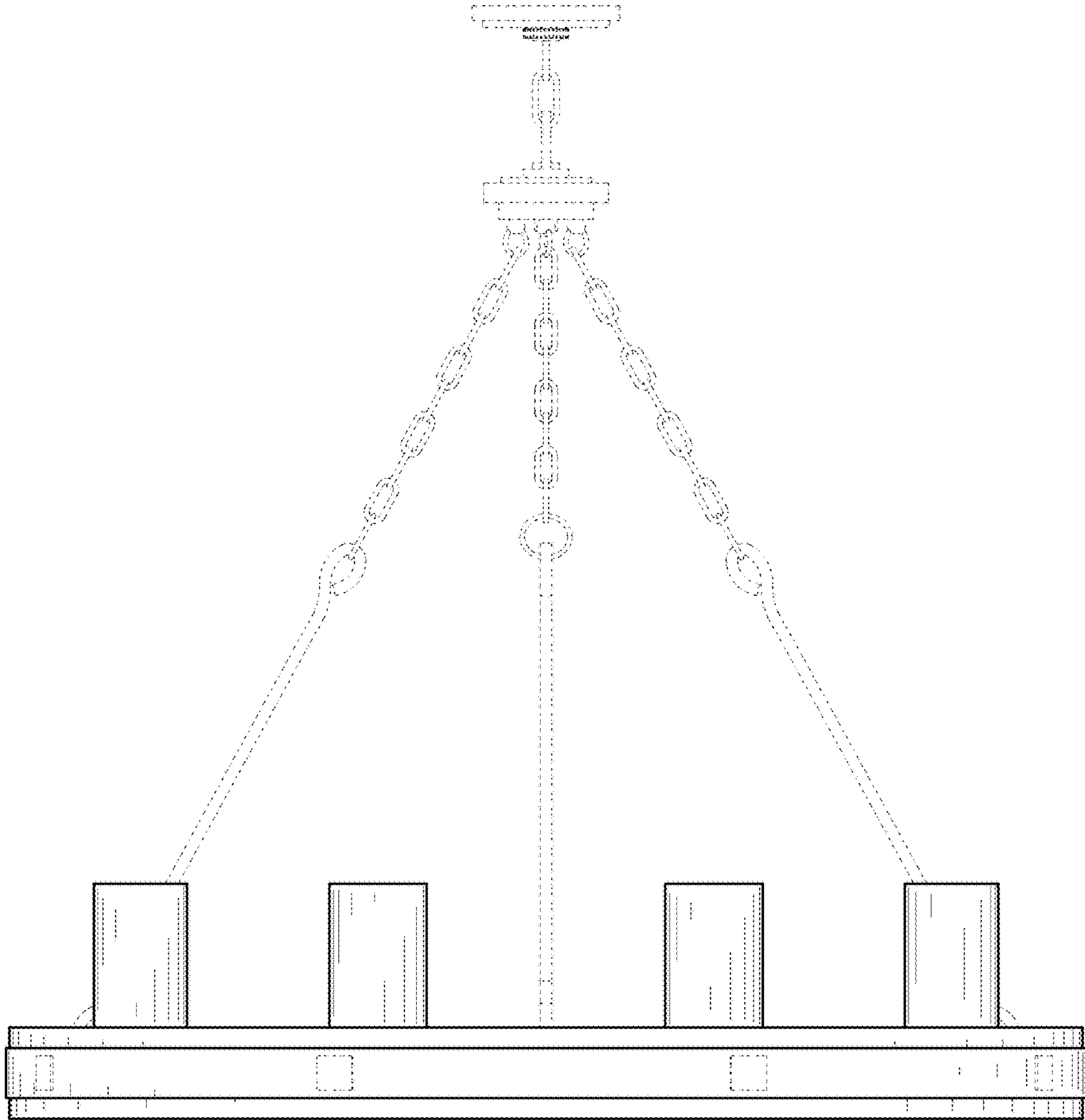


Fig. 12

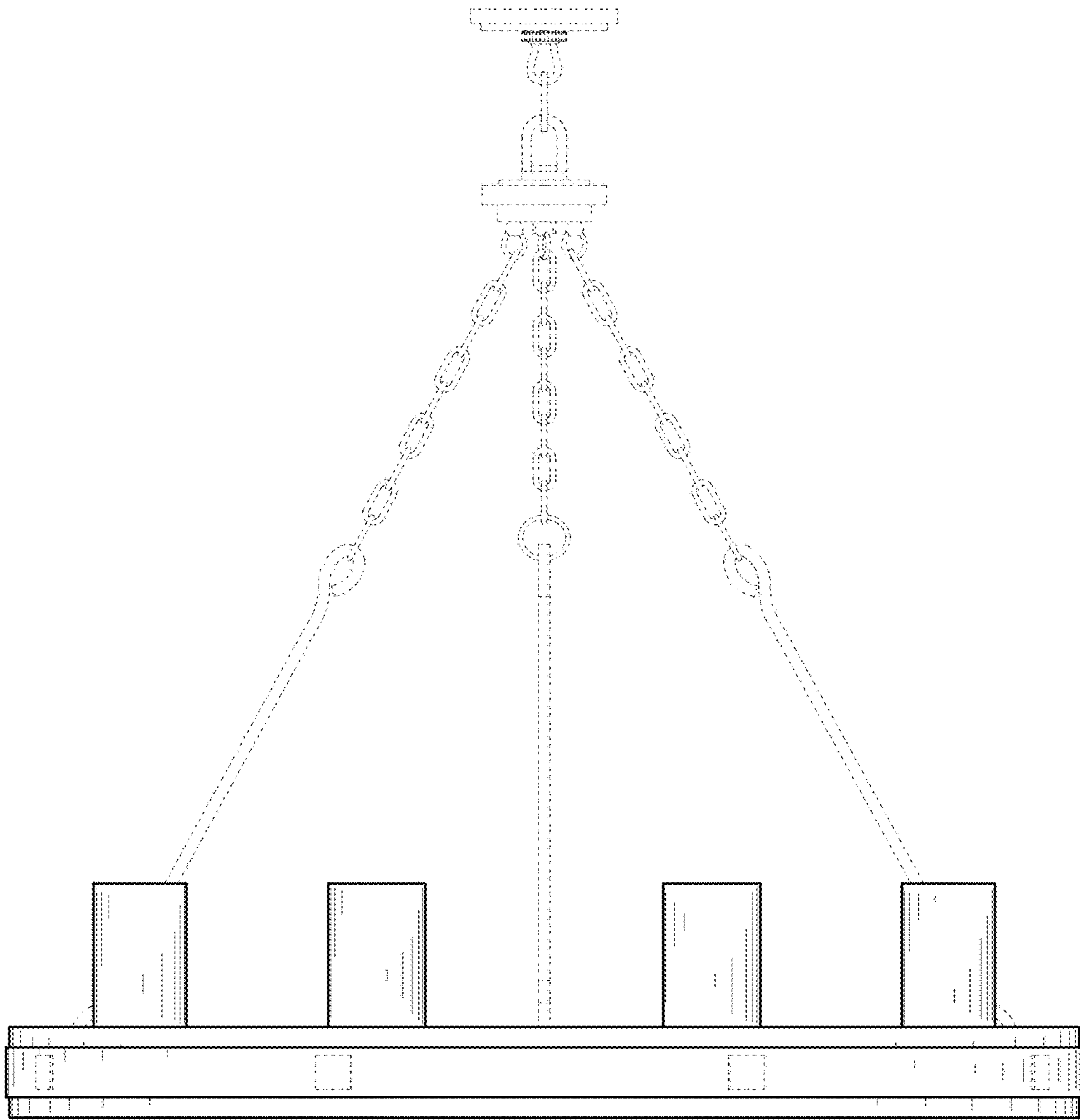


Fig. 13

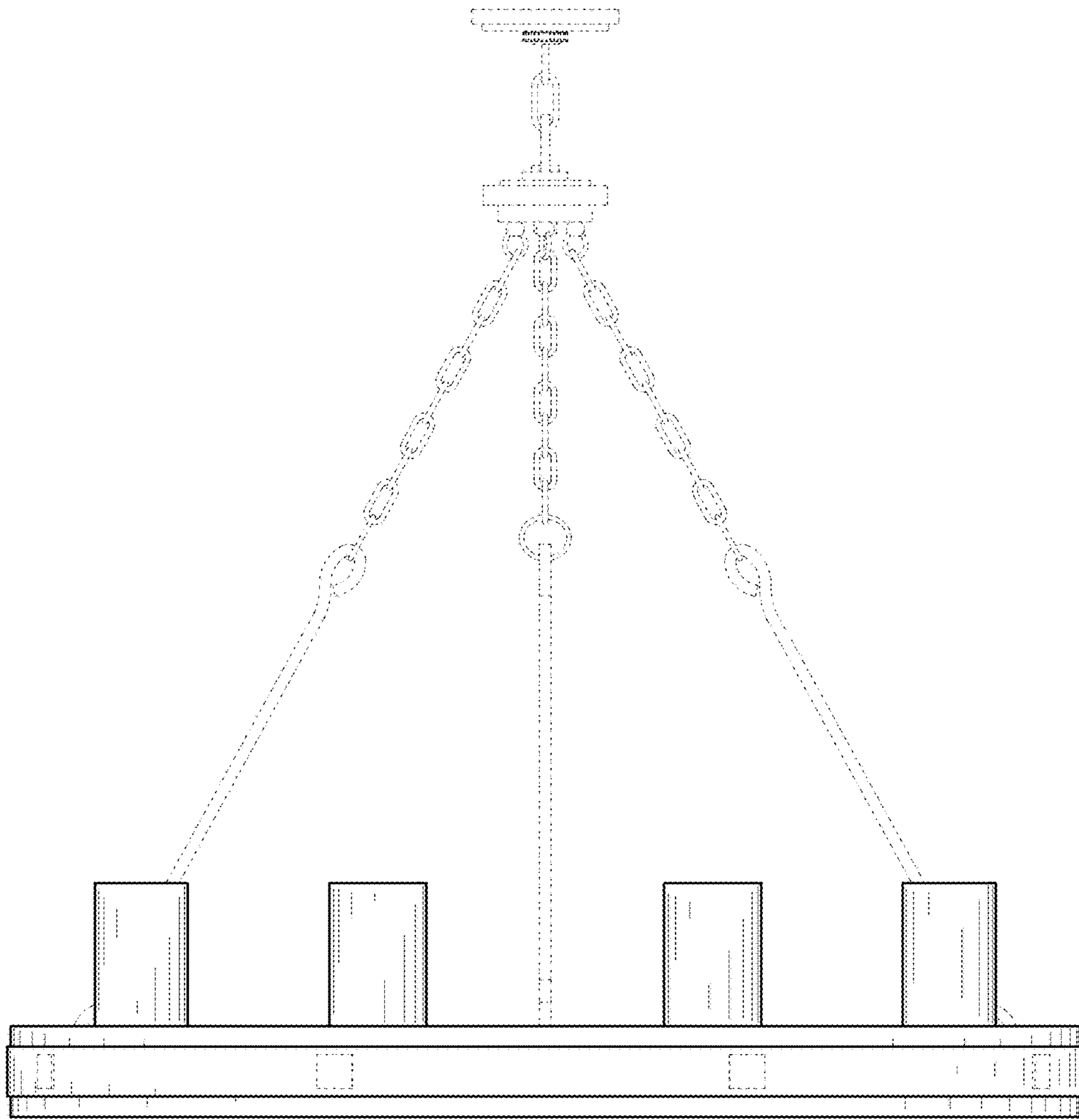


Fig. 14

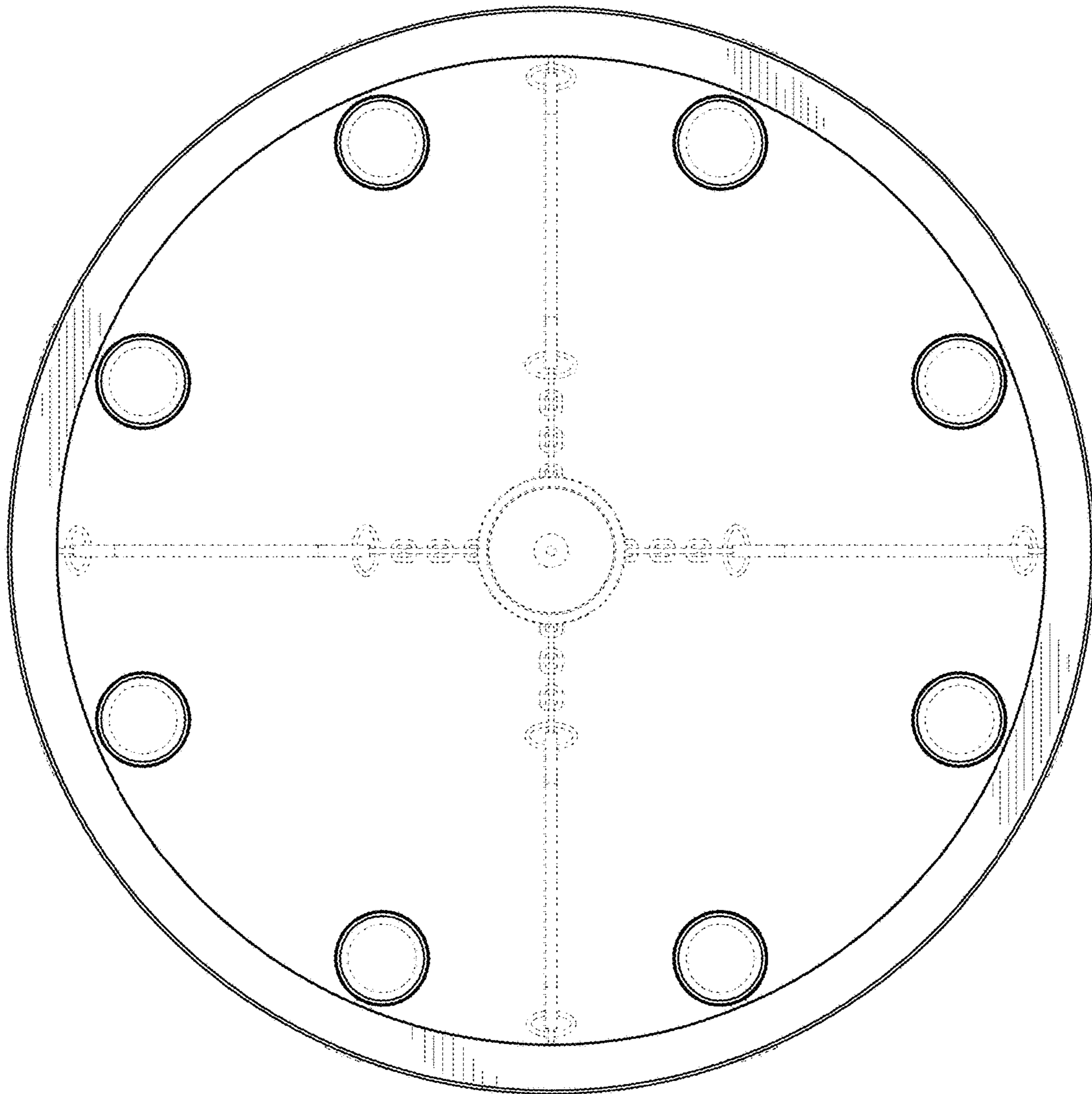


Fig. 15

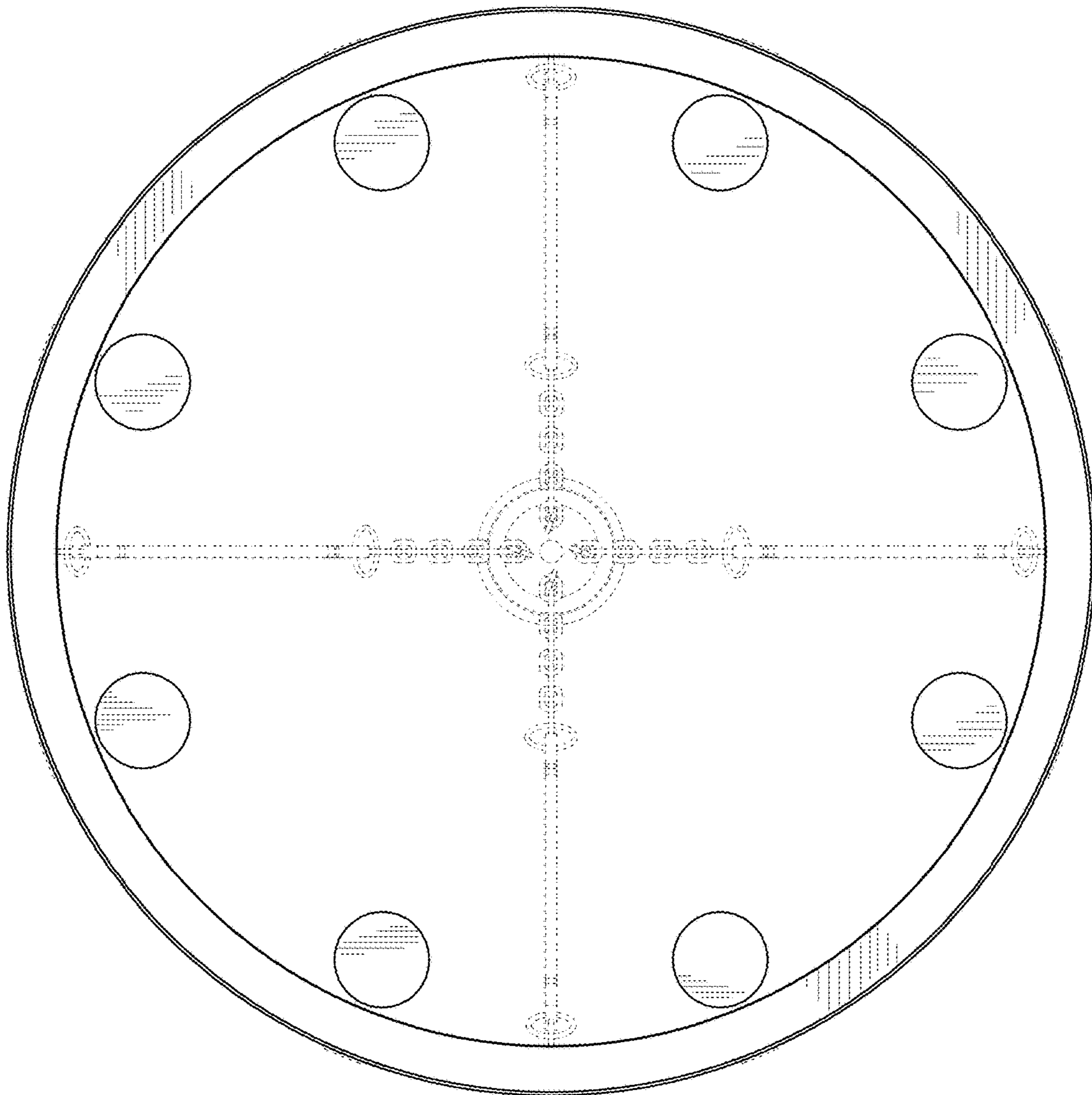


Fig. 16