



US00D786479S

(12) **United States Design Patent** (10) **Patent No.:** **US D786,479 S**
Dolan (45) **Date of Patent:** **** May 9, 2017**

(54) **CHANDELIER**

(71) Applicant: **Patrick S Dolan**, Portland, OR (US)

(72) Inventor: **Patrick S Dolan**, Portland, OR (US)

(**) Term: **15 Years**

(21) Appl. No.: **29/505,727**

(22) Filed: **Jan. 19, 2016**

(51) **LOC (10) Cl.** **26-03**

(52) **U.S. Cl.**
USPC **D26/81**

(58) **Field of Classification Search**

USPC ... D26/9, 11, 40, 67, 72, 80, 81, 84, 85, 86,
D26/87, 88, 90, 104, 118, 128, 143, 144

CPC F21S 8/04; F21S 8/043; F21S 8/046; F21S
8/06; F21S 8/063; F21S 8/065

See application file for complete search history.

(56) **References Cited**

U.S. PATENT DOCUMENTS

D4,087 S *	5/1870	Colt et al.	D26/137
D80,313 S *	1/1930	Hoch	D26/80
D82,771 S *	12/1930	Witz	D26/144
D172,688 S *	7/1954	Ruskin	D26/81
2,804,542 A *	8/1957	Siegel	F21S 8/06 362/405
3,117,730 A *	1/1964	Jones	F21S 8/065 248/344
D198,539 S *	6/1964	Freed	D26/70
D237,001 S *	9/1975	Von Serda	D11/147
D348,321 S *	6/1994	Segill	D26/81
D348,322 S *	6/1994	Segill	D26/81
D418,242 S *	12/1999	Diaz-Azcuy	D26/84
D438,664 S *	3/2001	Lewis	D26/86
D459,013 S *	6/2002	Dolan	D26/81
D470,967 S *	2/2003	Rose	D26/81
D480,495 S *	10/2003	Brunner	D26/84
D539,960 S *	4/2007	Hsu	D26/81
D539,962 S *	4/2007	Hsu	D26/81

D565,777 S *	4/2008	Hsu	D26/81
D607,136 S *	12/2009	Chen	D26/81
D719,698 S *	12/2014	Mollaghaffari	D26/81
D760,938 S *	7/2016	Dixon	D26/81
2003/0193810 A1 *	10/2003	Patz	F21S 8/06 362/387

OTHER PUBLICATIONS

“SPIRES” model No. 2139 NI on p. 204; and model No. 2138 NI on p. 205 of the Kichler Catalog No. 104 © 2004 (3 pages includes rear cover of catalog).*

Model Nos. 1883 NCH and 1885 NCH on p. 187 of the Kichler Lighting Catalog No. 104 © 2004.*

“Park Avenue” model No. 2595 TZ on p. 74; and model Nos. 2597 TZ, 2596 TZ on p. 75 of the Kichler Lighting Catalog No. 104 © 2004 (2 pages).*

“BENTON” chandelier Model Nos. 1603 OZ, 1604 OZ and 1605OZ on pp. s500 and s501 of the Kichler Lighting Supplemental Catalog © 2005 (3 pages includes rear cover of catalog).*

(Continued)

Primary Examiner — Clare E Heflin

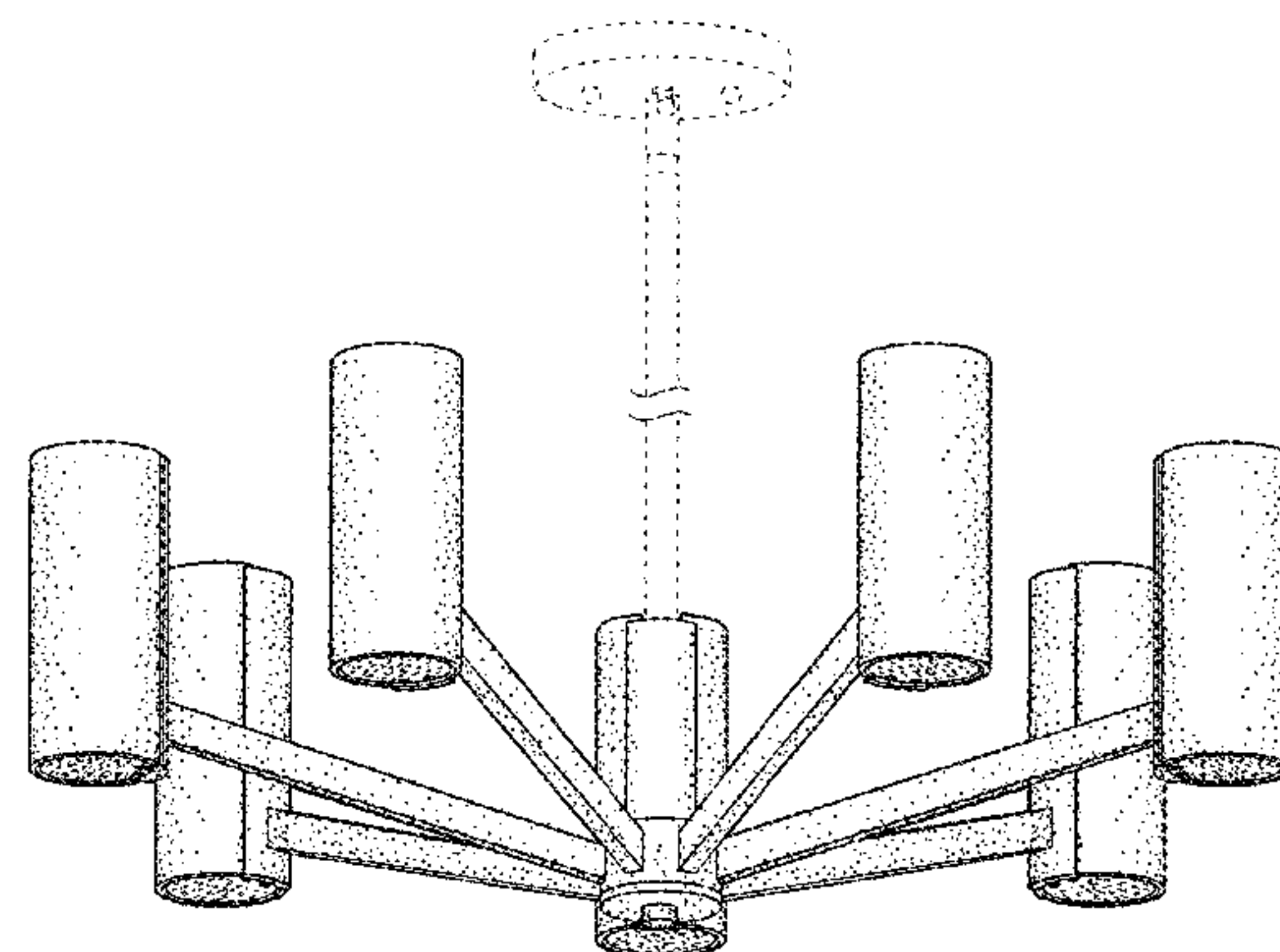
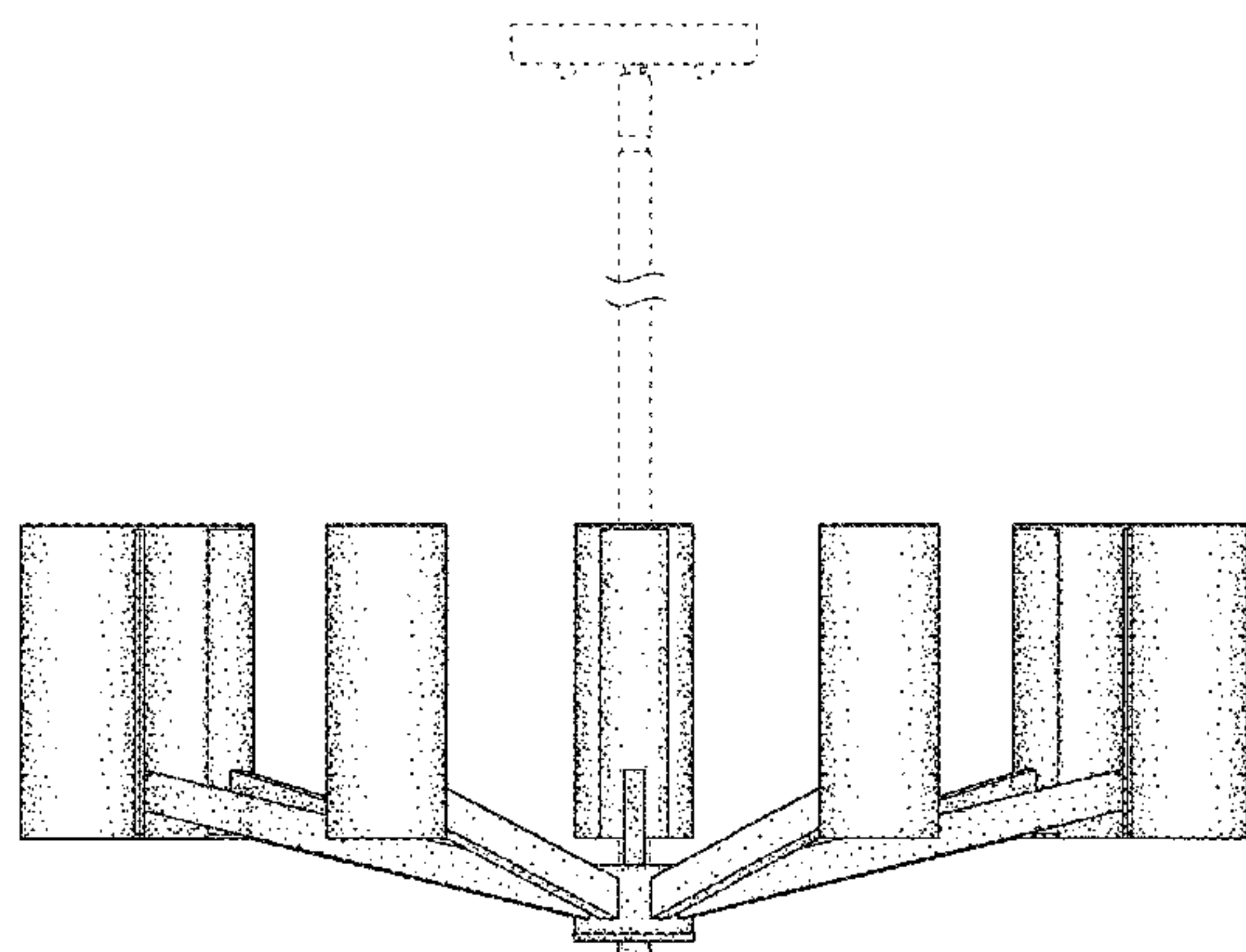
(57) **CLAIM**

The ornamental design for a chandelier, as shown and described.

DESCRIPTION

FIG. 1 is a front elevational view thereof;
FIG. 2 is a side view, all sides being identical;
FIG. 3 is a top plan view thereof;
FIG. 4 is a bottom plan view thereof; and,
FIG. 5 is a perspective view thereof.
The broken lines in the drawing depict parts of the chandelier that form no part of the claimed design.

1 Claim, 5 Drawing Sheets



(56)

References Cited

OTHER PUBLICATIONS

The "Flat Iron Collection" model No. F1759/6 BK from the Murray-Feiss Big Book Edition 2004 (2 pages includes rear cover of catalog).*

As seen on: Destination lighting.com Jan. 15, 2016 George Kovacs Model: P5040-37B-L.

Kichler , Cleveland OH Model 9109BK Model K114 Catalog K114-2014.

As seen on : Destination lighting.com Jan. 15, 2016 Hinkley Lighting Model : 4975 BN.

As seen on: Destination lighting.com Jan. 15, 2016 Design Classics Model 584-09 GL 1024C.

As Seen on Destination lighting.com Jan. 15, 2016 Illuminating Experiences Model ELF15.

As seen on: Destination lighting.com Jan. 15, 2016 Hudson Valley Model : 369 PN.

* cited by examiner

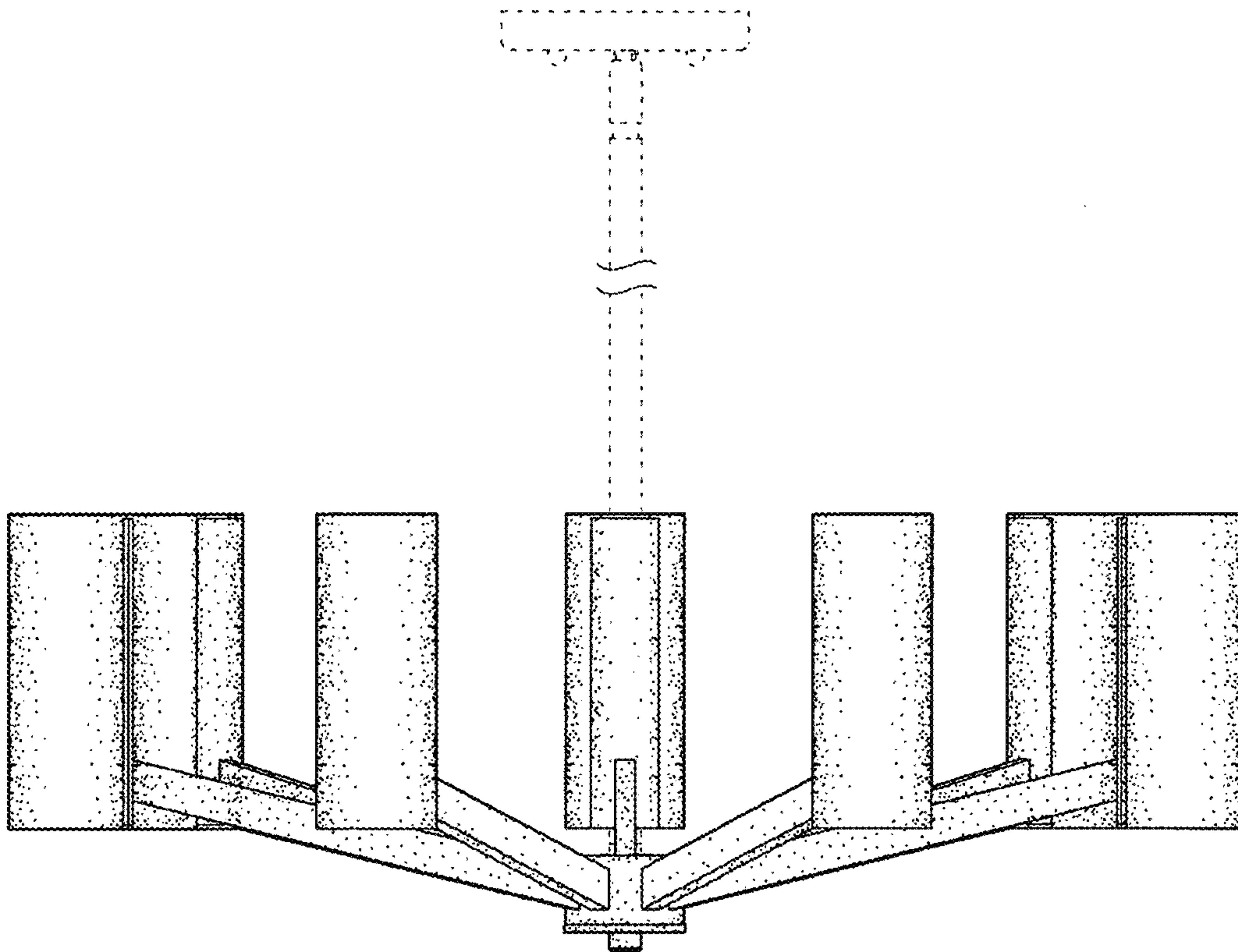


FIG. 1

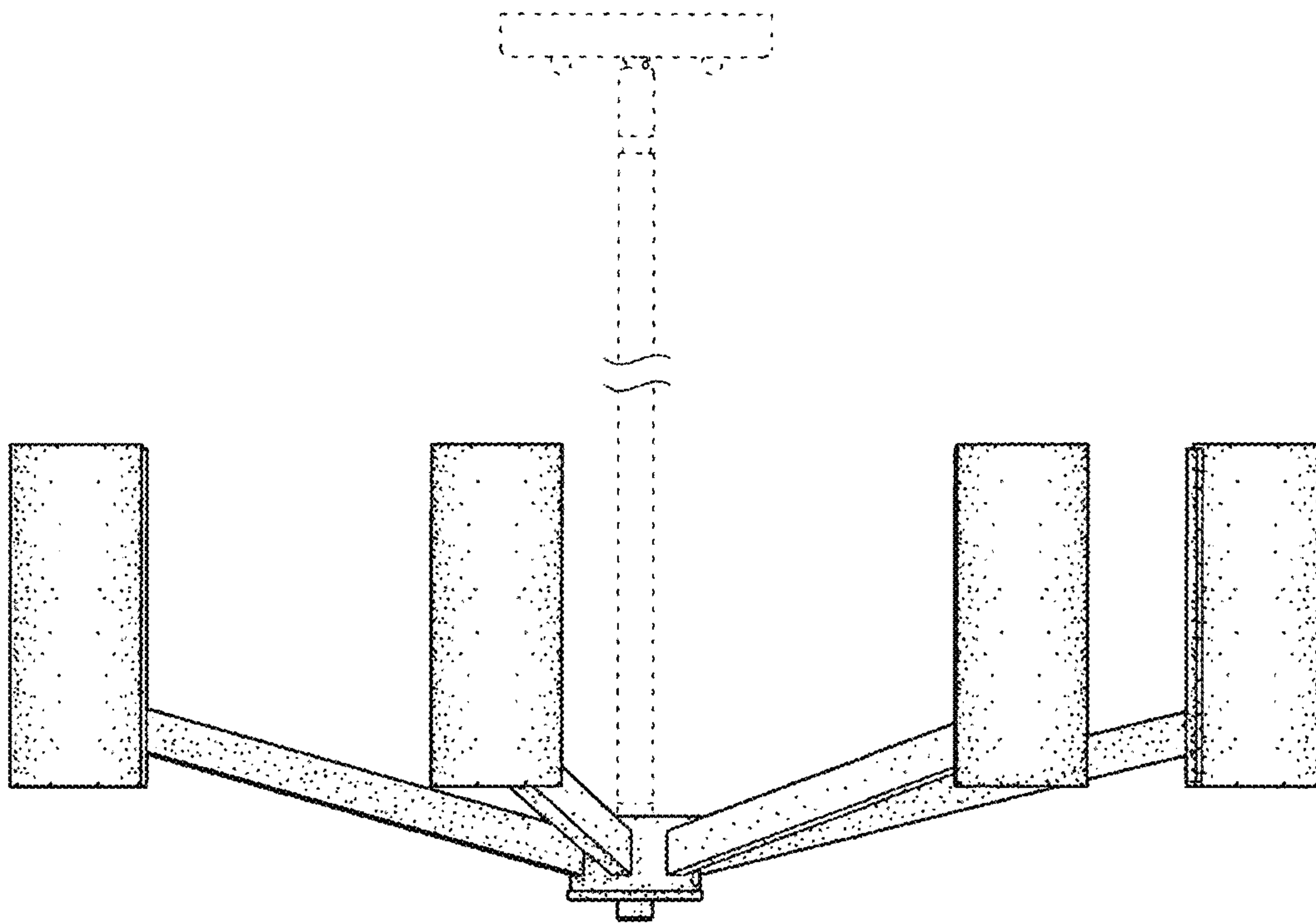


FIG. 2

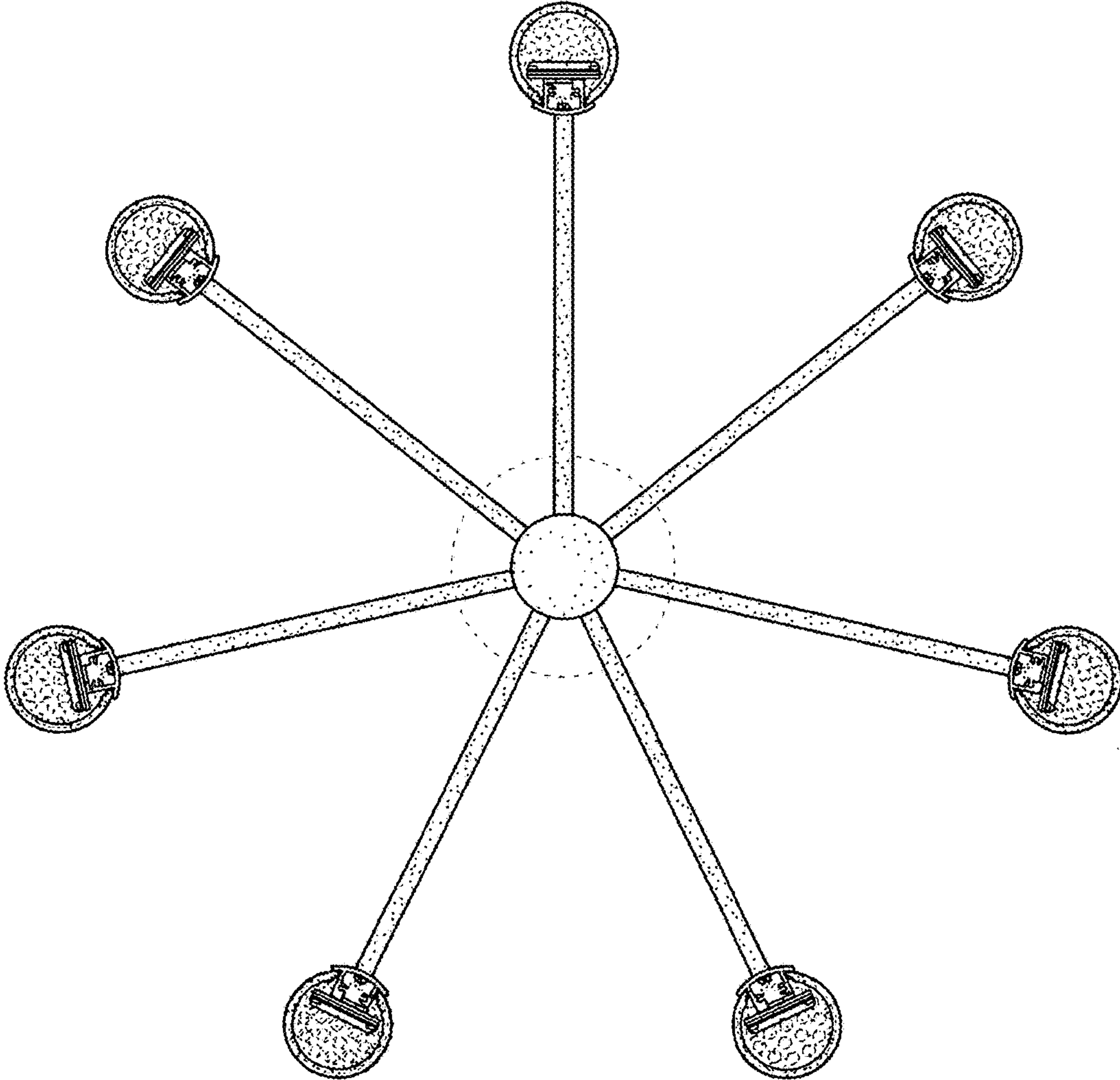


FIG. 3

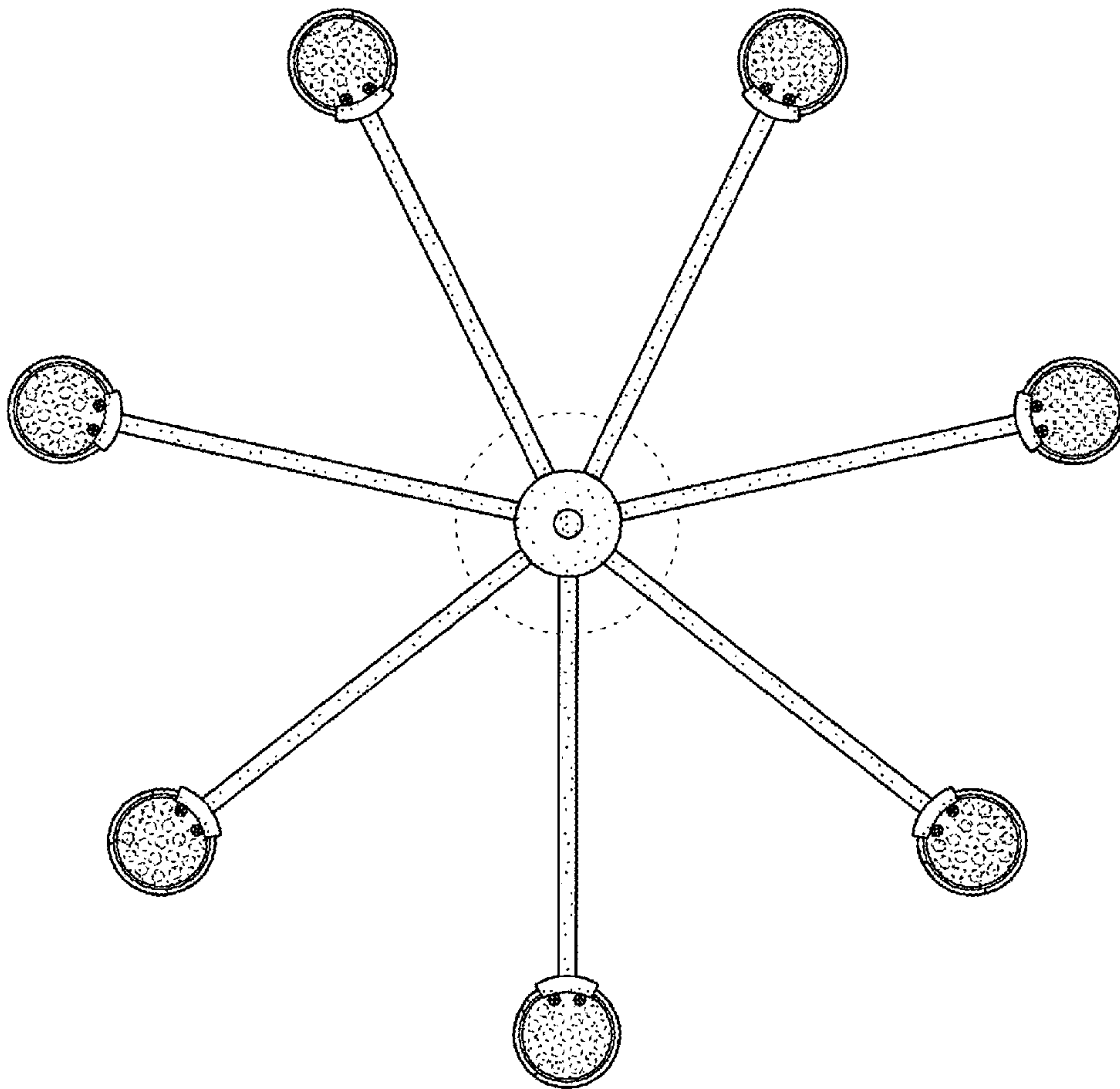


FIG. 4

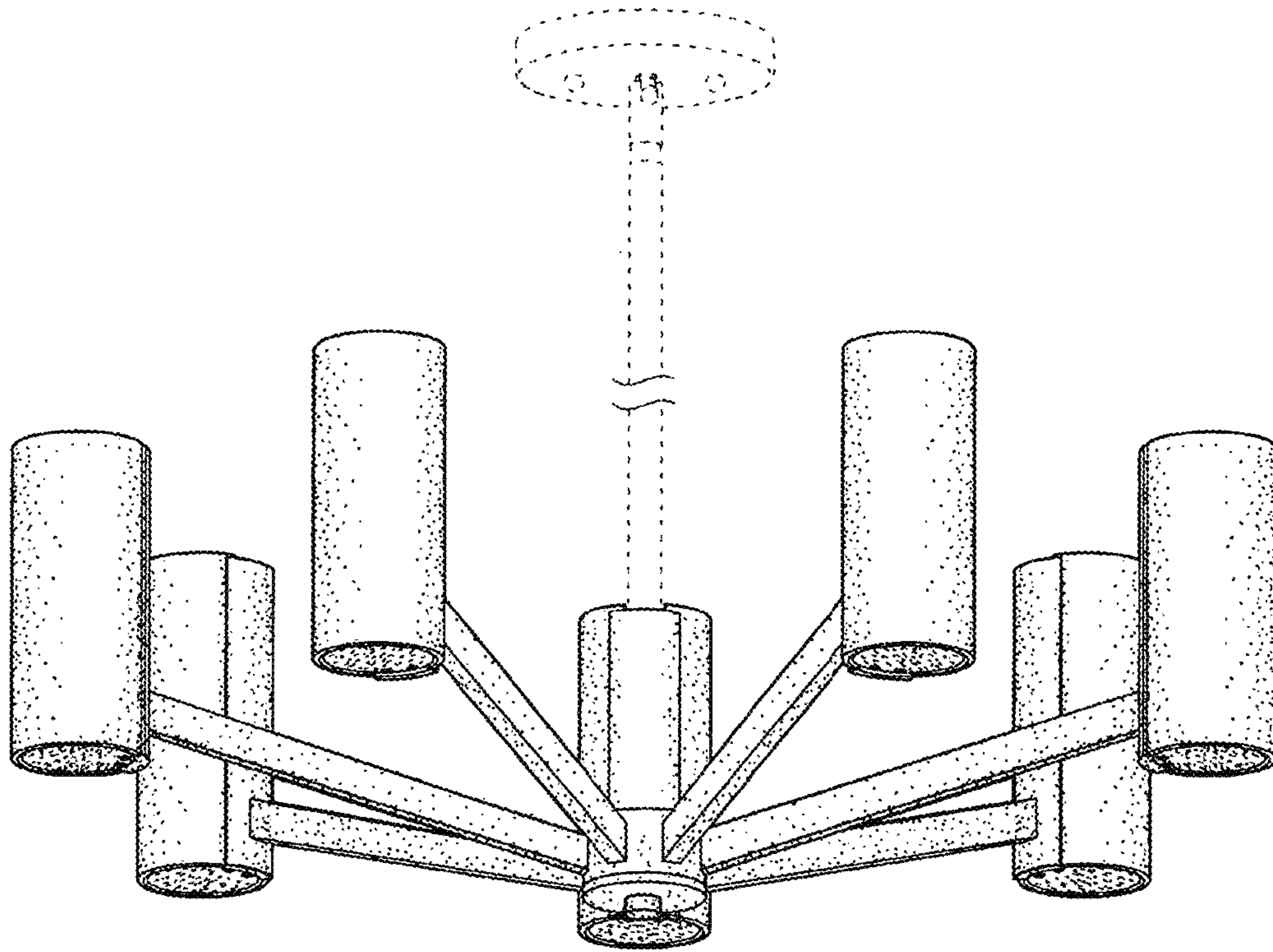


FIG. 5