



US00D786478S

(12) **United States Design Patent** (10) **Patent No.:** **US D786,478 S**
Waldmann (45) **Date of Patent:** **** May 9, 2017**

(54) **LAMP**

(71) Applicant: **HERBERT WALDMANN GMBH & CO. KG**, Villingen-Schwenningen (DE)

(72) Inventor: **Gerhard Waldmann**, Stein am Rhein (CH)

(73) Assignee: **HERBERT WALDMANN GMBH & CO. KG**, Villingen-Schwenningen (DE)

(**) Term: **15 Years**

(21) Appl. No.: **35/500,297**

(22) Filed: **Jul. 14, 2015**

(80) **Hague Agreement Data**

Int. Filing Date: **Jul. 14, 2015**

Int. Reg. No.: **DM/088175**

Int. Reg. Date: **Jul. 14, 2015**

Int. Reg. Pub. Date: **Nov. 27, 2015**

(51) **LOC (10) Cl.** **26-03**

(52) **U.S. Cl.**
USPC **D26/76**

(58) **Field of Classification Search**
USPC **D26/76, 78, 79, 75**
CPC **F21Y 2103/00**
See application file for complete search history.

(56) **References Cited**

U.S. PATENT DOCUMENTS

D595,444 S *	6/2009	Shimomura	D26/76
D607,598 S *	1/2010	Xiao	D26/76
D627,914 S *	11/2010	Couture	D26/76
D628,734 S *	12/2010	Waldmann	D26/74
D724,249 S *	3/2015	Maxik	D26/76
D764,695 S *	8/2016	Treible, Jr.	D26/76

* cited by examiner

Primary Examiner — George D Kirschbaum

(74) *Attorney, Agent, or Firm* — Muirhead and Saturnelli, LLC

(57) **CLAIM**

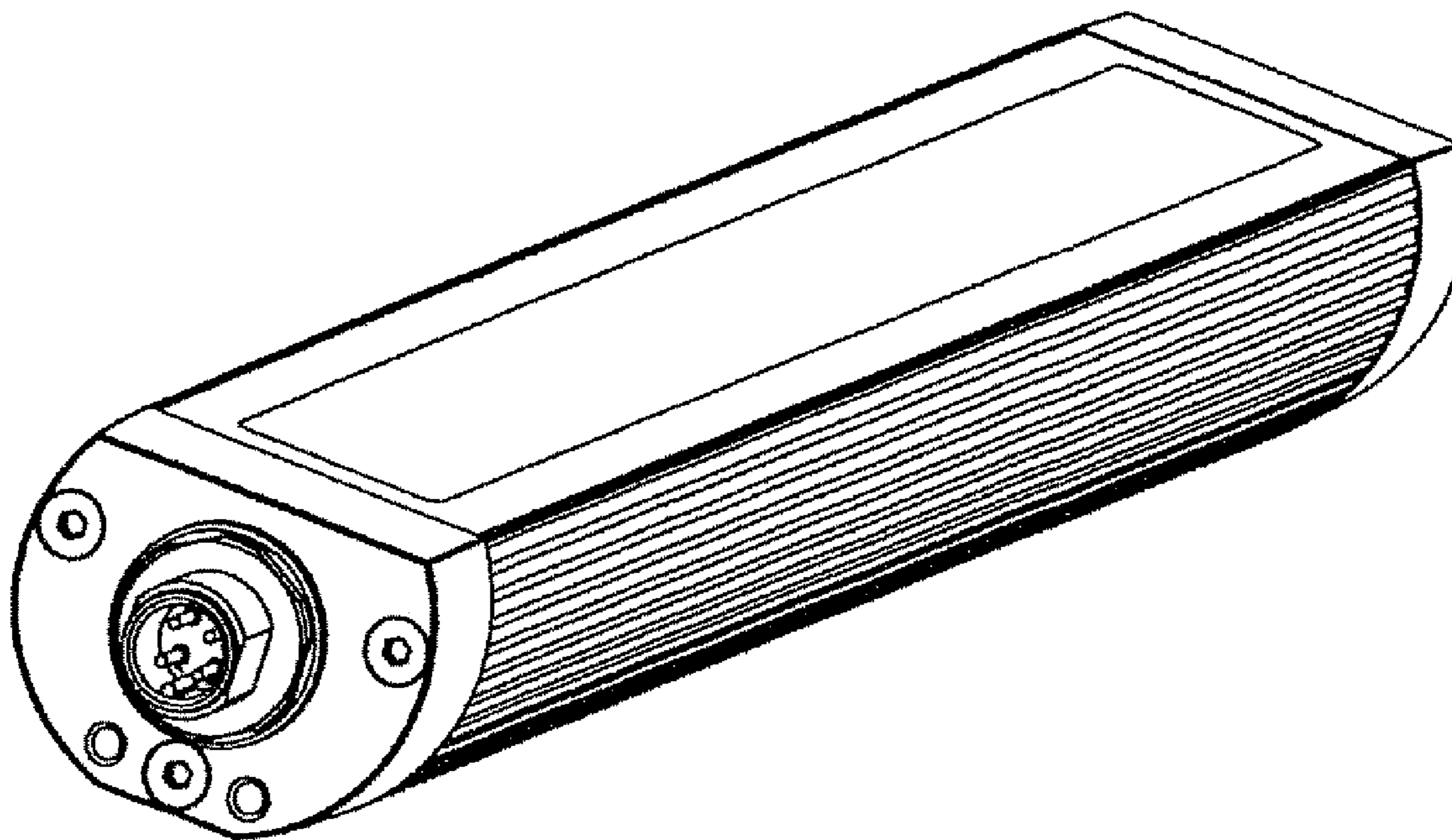
The ornamental design for a lamp, as shown and described.

DESCRIPTION

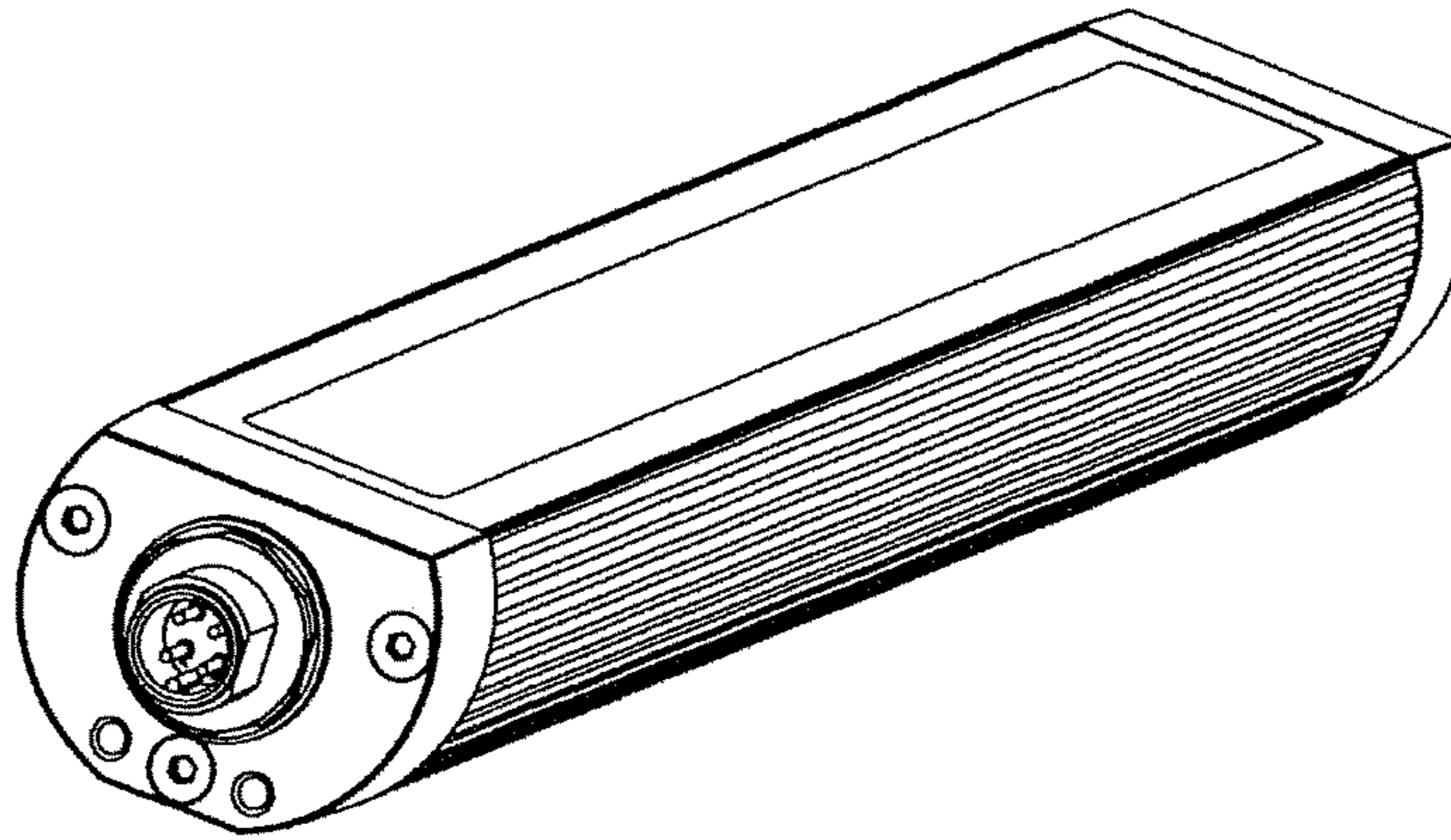
1. Lamp
- 1.1 Perspective view;
- 1.2 Left side view;
- 1.3 right side view;
- 1.4 top view;
- 1.5 side plan view; and
- 1.6 bottom view.

1 Claim, 2 Drawing Sheets

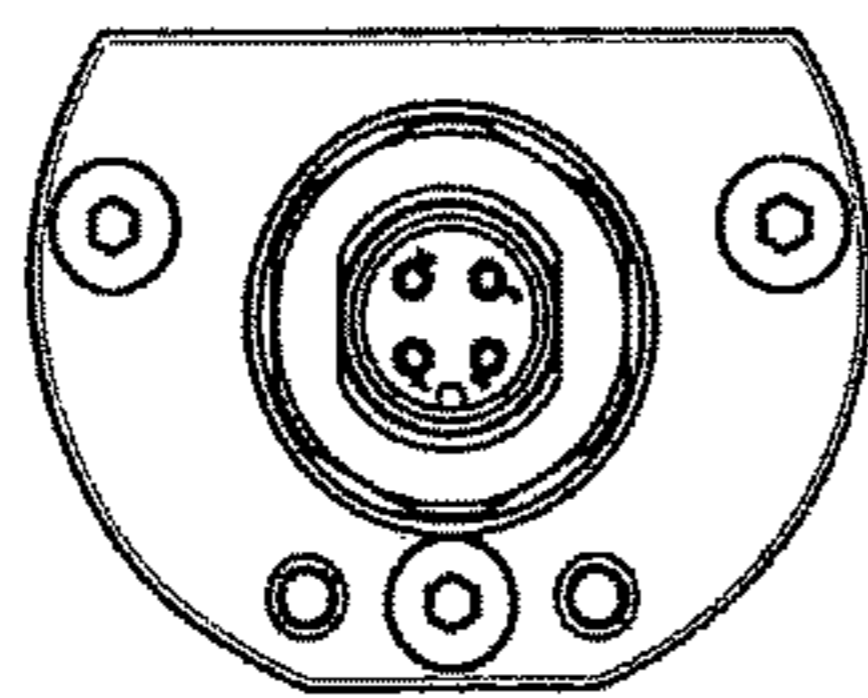
Perspective



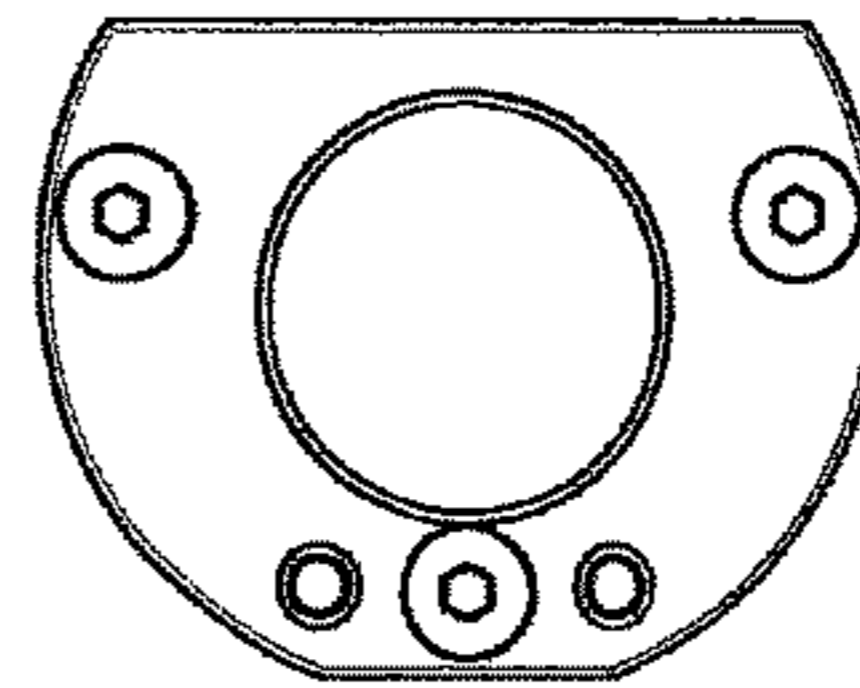
1.1
Perspective



1.2
Left



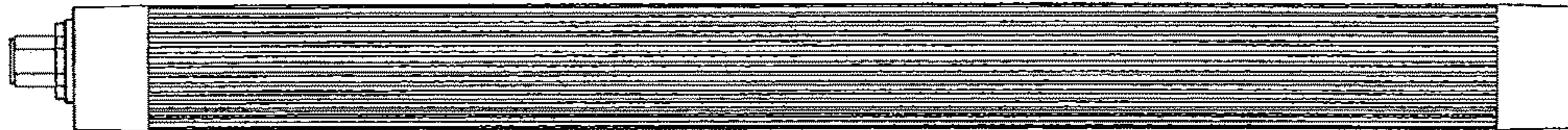
1.3
Right



1.4
Top



1.5
Side view



1.6
Bottom

