



US00D786477S

(12) **United States Design Patent** (10) **Patent No.:** **US D786,477 S**
Lauderdale et al. (45) **Date of Patent:** **** May 9, 2017**

(54) **LIGHTING APPARATUS**

(56) **References Cited**

(71) Applicant: **KONINKLIJKE PHILIPS N.V.**,
Eindhoven (NL)
(72) Inventors: **Gary Lauderdale**, Tupelo, MS (US);
Chris Warner, Tupelo, MS (US);
Dustin King, Tupelo, MS (US); **Dylan**
Akinrele, San Marcos, TX (US);
Christopher Boissevain, San Marcos,
TX (US); **Mason Morton**, San Marcos,
TX (US); **Zhen Yi Zheng**, Shanghai
(CN); **Xiao Hu Cai**, Shanghai (CN)
(73) Assignee: **KONINKLIJKE PHILIPS N.V.**,
Eindhoven (NL)

U.S. PATENT DOCUMENTS

D386,804	S	*	11/1997	Engel	D26/74
D496,121	S	*	9/2004	Santoro	D26/76
D556,358	S	*	11/2007	Santoro	D26/76
D602,625	S	*	10/2009	Santoro	D26/76
8,905,575	B2	*	12/2014	Durkee	F21V 7/0008 362/218
D721,198	S	*	1/2015	Glasbrenner	D26/76
9,052,075	B2	*	6/2015	Demuyneck	F21S 9/022
9,127,826	B2	*	9/2015	Boyer	F21V 7/0008
D749,768	S	*	2/2016	Snell	D26/76
9,279,553	B1	*	3/2016	Scribante	F21S 8/026
2012/0051041	A1	*	3/2012	Edmond	F21S 8/026 362/231
2013/0194820	A1	*	8/2013	Pickard	F21V 7/0066 362/555

* cited by examiner

Primary Examiner — George D Kirschbaum
Assistant Examiner — Natasha Vujcic

(**) Term: **15 Years**
(21) Appl. No.: **29/546,040**

(57) **CLAIM**

We claim, the ornamental design for a lighting apparatus, as shown and described.

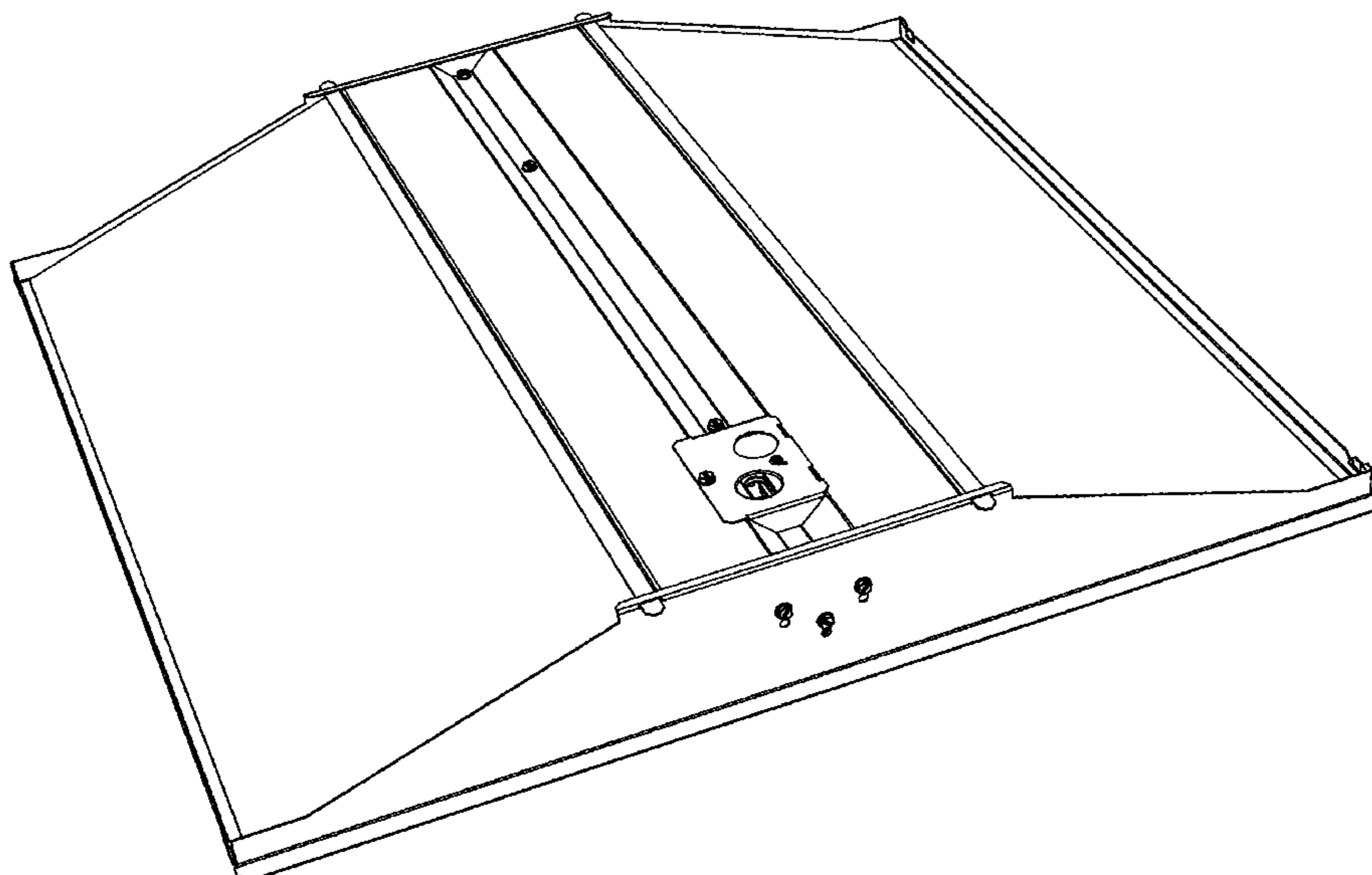
(22) Filed: **Nov. 18, 2015**
(51) **LOC (10) Cl.** **26-03**
(52) **U.S. Cl.**
USPC **D26/76**
(58) **Field of Classification Search**
USPC D26/71, 72, 75, 76, 78, 79, 80, 81, 82,
D26/83, 85, 86, 88, 90, 113, 118, 119,
D26/120, 121, 122, 138
CPC F21S 2/00; F21S 4/00; F21S 4/003; F21S
4/005; F21S 4/006; F21S 4/007; F21S
4/008; F21S 6/00; F21S 8/00; F21S
8/024; F21S 8/026; F21S 8/031; F21S
8/033; F21S 8/035–8/037; F21S 8/04;
F21S 8/043; F21S 8/063

DESCRIPTION

FIG. 1 is a top right side perspective view showing my design;
FIG. 2 is a bottom perspective view thereof;
FIG. 3 is a top elevational view thereof;
FIG. 4 is a bottom elevational view thereof;
FIG. 5 is a front elevational view thereof;
FIG. 6 is a rear elevational view thereof;
FIG. 7 is a left side elevational bottom plan view thereof;
and,
FIG. 8 is a right side elevational view thereof.

See application file for complete search history.

1 Claim, 5 Drawing Sheets



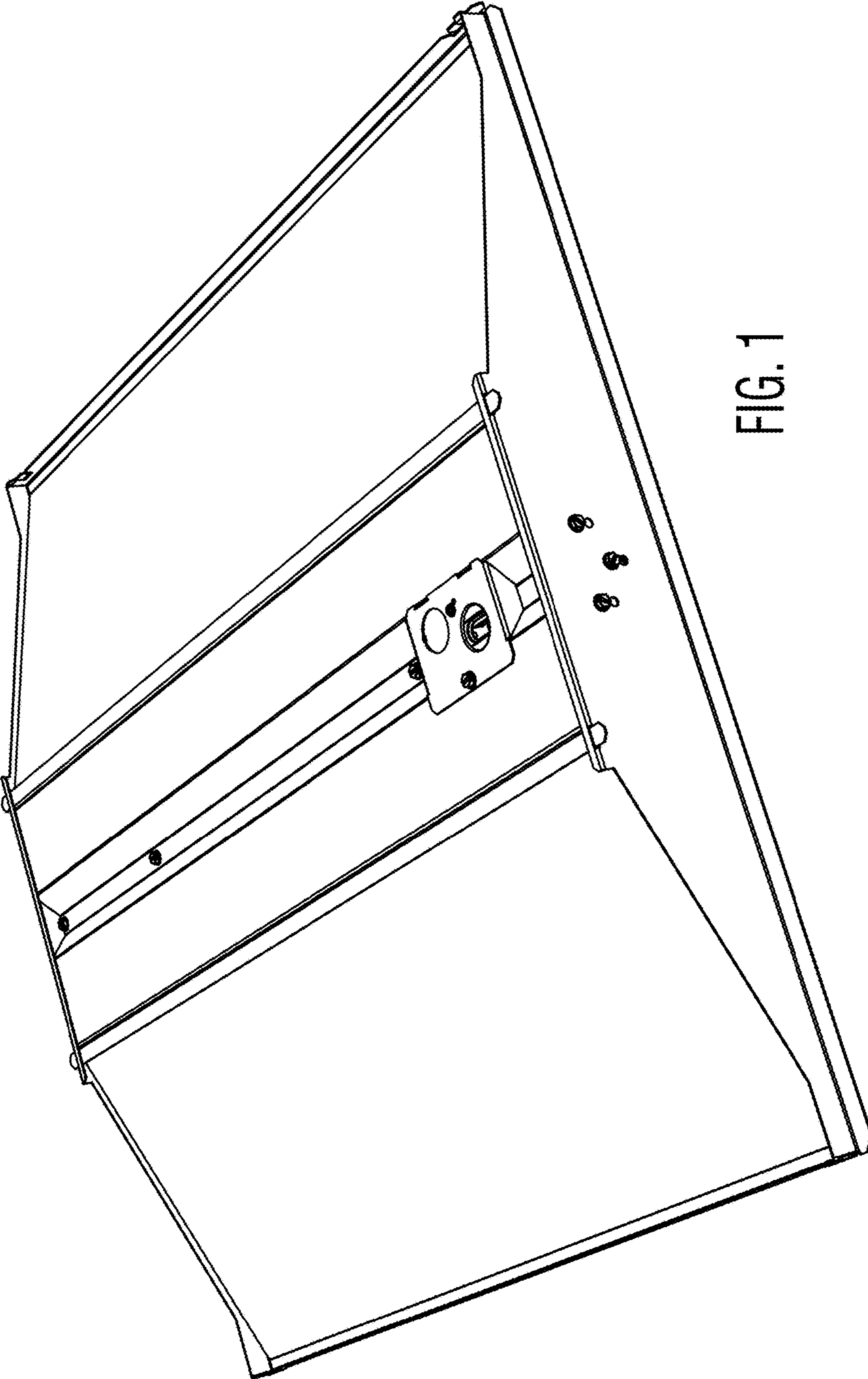


FIG. 1

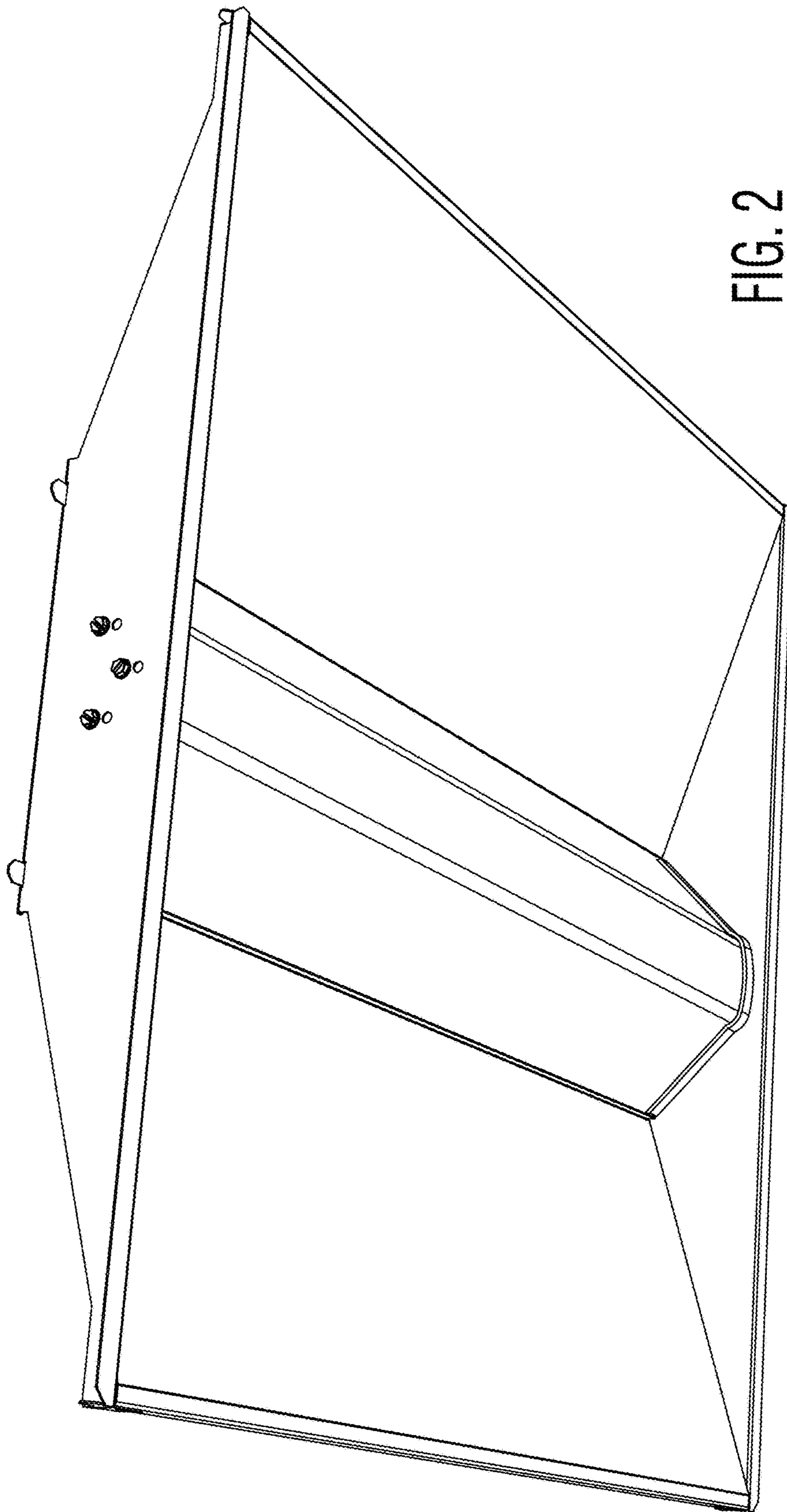


FIG. 2

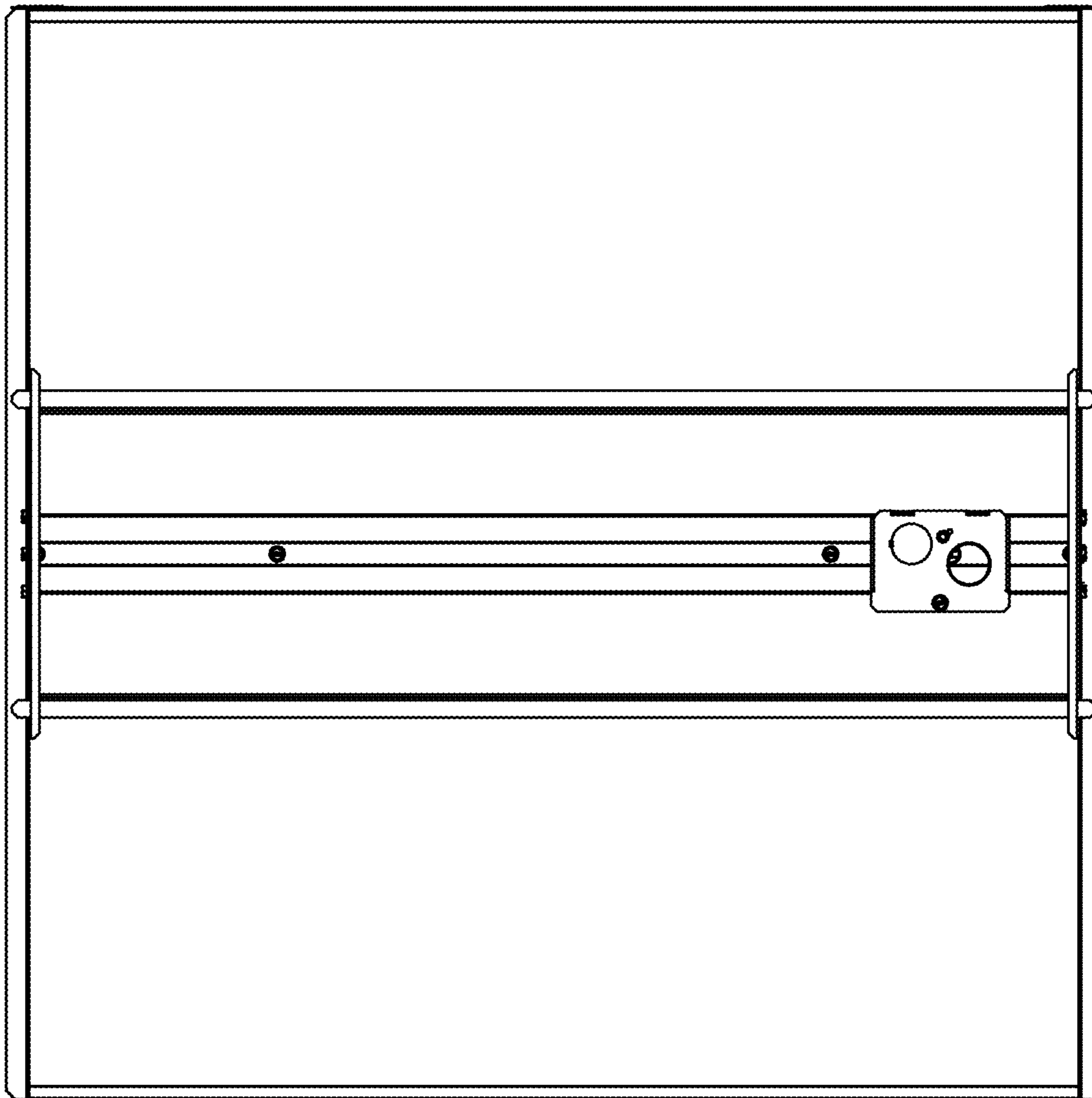


FIG. 3

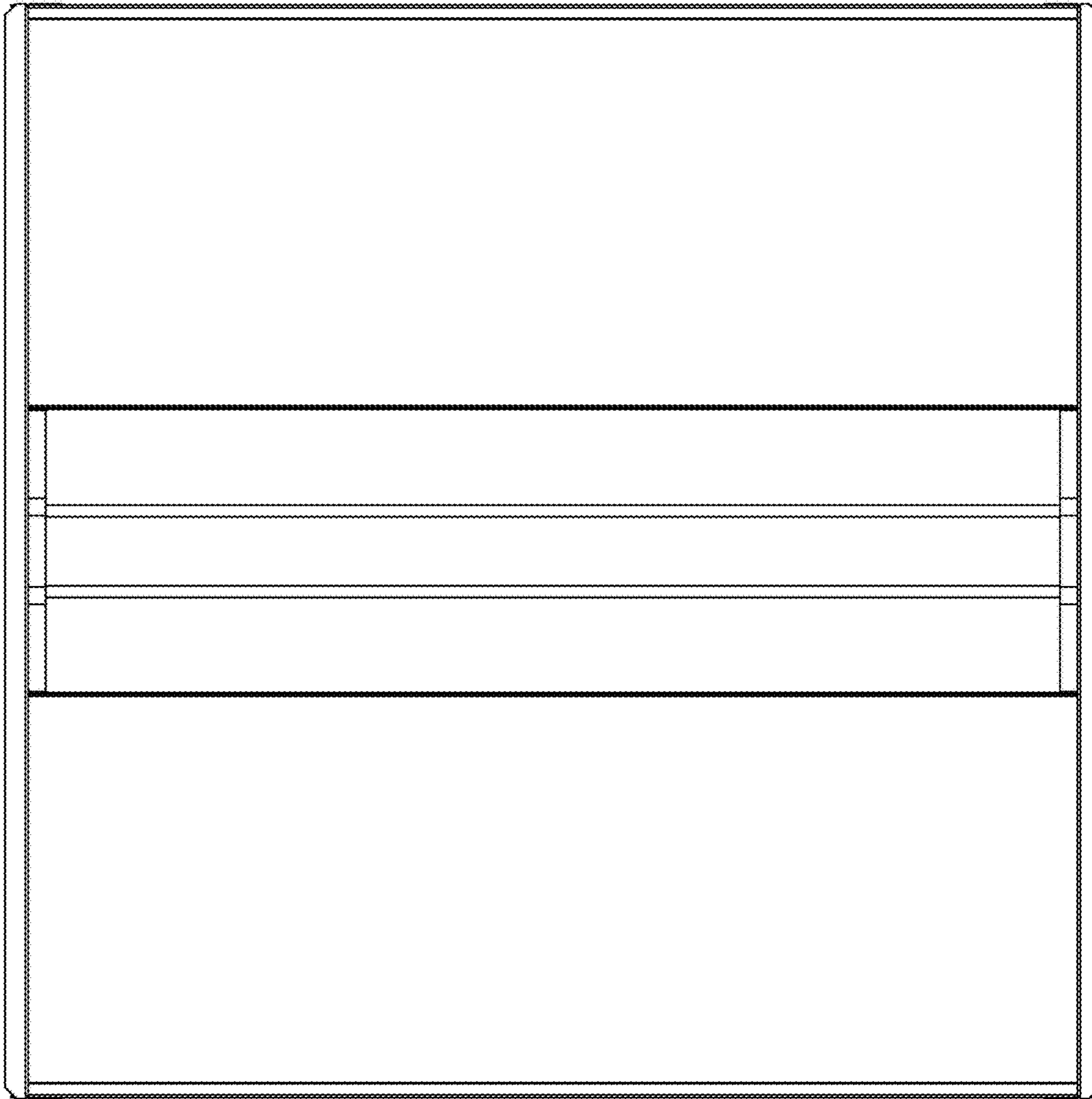


FIG. 4

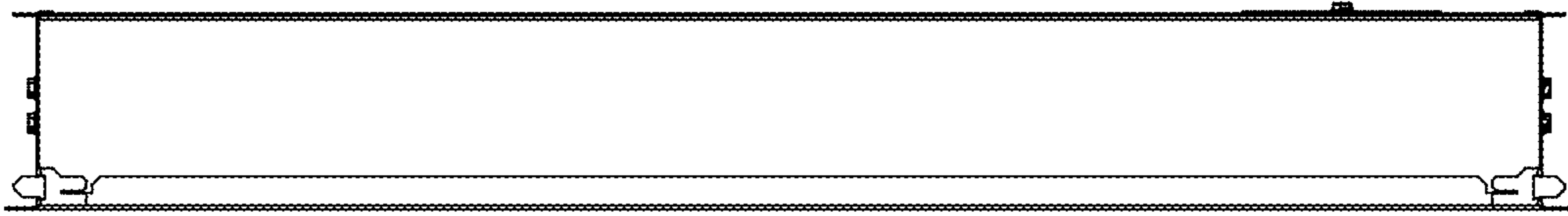


FIG. 5

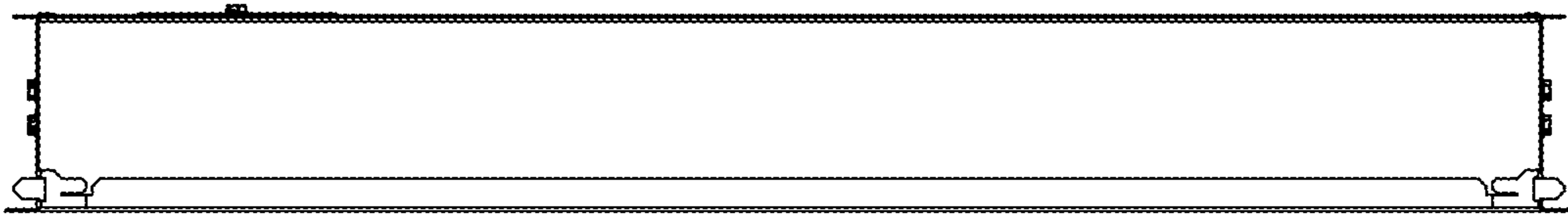


FIG. 6

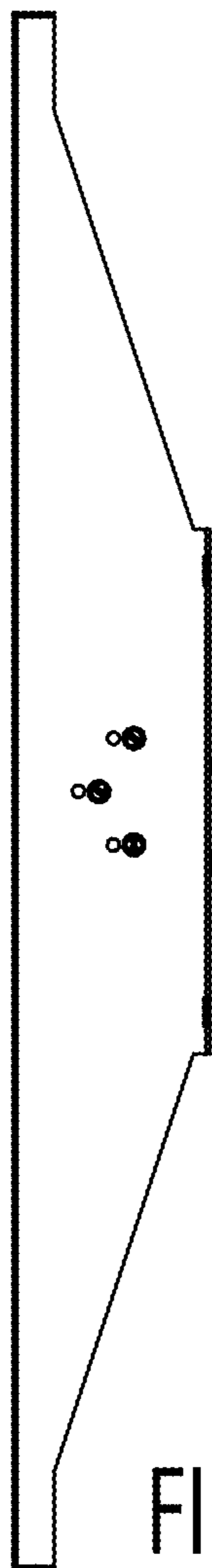


FIG. 7

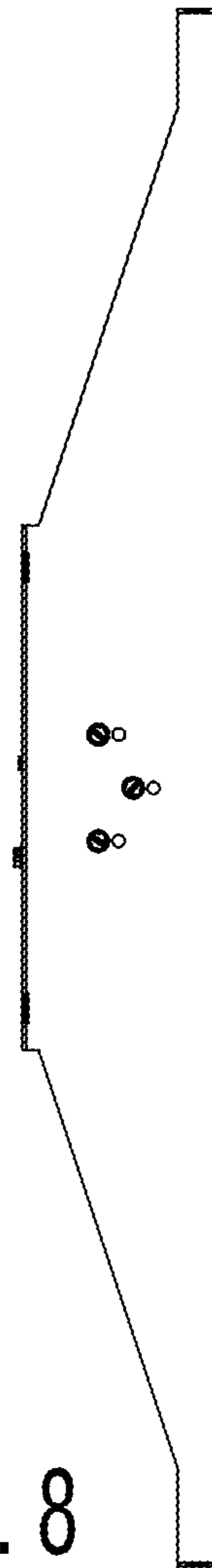


FIG. 8