



US00D786476S

(12) **United States Design Patent** (10) **Patent No.:** **US D786,476 S**
McCane (45) **Date of Patent:** **** May 9, 2017**

(54) **LIGHT FIXTURE**

(71) Applicant: **ABL IP Holding LLC**, Conyers, GA (US)

(72) Inventor: **Stephen Barry McCane**, McDonough, GA (US)

(73) Assignee: **ABL IP Holding LLC**, Decatur, GA (US)

(**) Term: **15 Years**

(21) Appl. No.: **29/537,052**

(22) Filed: **Aug. 21, 2015**

(51) **LOC (10) Cl.** **26-03**

(52) **U.S. Cl.**
USPC **D26/76**

(58) **Field of Classification Search**
USPC D26/71, 72, 75, 76, 78, 79, 80, 81, 82,
D26/83, 85, 86, 88, 90, 113, 118, 119,
D26/120, 121, 122, 138
CPC F21S 2/00; F21S 4/00; F21S 4/003; F21S
4/005; F21S 4/006; F21S 4/007; F21S
4/008; F21S 6/00; F21S 8/00; F21S
8/024; F21S 8/026; F21S 8/031; F21S
8/033; F21S 8/035-8/037; F21S 8/04;
F21S 8/043; F21S 8/063
See application file for complete search history.

(56) **References Cited**

U.S. PATENT DOCUMENTS

D330,438 S	*	10/1992	Herst	D26/76
D413,402 S	*	8/1999	Ranieri	D26/74
D617,487 S	*	6/2010	Fowler, Jr.	D26/76
D669,204 S	*	10/2012	Snell	D26/76
D703,858 S	*	4/2014	Miller	D26/76
D721,198 S	*	1/2015	Glasbrenner	D26/76

(Continued)

Primary Examiner — George D Kirschbaum

Assistant Examiner — Natasha Vujcic

(74) *Attorney, Agent, or Firm* — Kilpatrick Townsend & Stockton, LLP

(57) **CLAIM**

The ornamental design for a light fixture, as shown and described.

DESCRIPTION

FIG. 1 is a bottom perspective view of one embodiment of the light fixture.

FIG. 2 is a front end view of the light fixture of FIG. 1.

FIG. 3 is rear end view of the light fixture of FIG. 1.

FIG. 4 is a right elevation view of the light fixture of FIG. 1.

FIG. 5 is a left elevation view of the light fixture of FIG. 1.

FIG. 6 is a bottom plan view of the light fixture of FIG. 1.

FIG. 7 is a top plan view of the light fixture of FIG. 1.

FIG. 8 is a bottom perspective view of another embodiment of the light fixture.

FIG. 9 is a front end view of the light fixture of FIG. 8.

FIG. 10 is rear end view of the light fixture of FIG. 8.

FIG. 11 is a right elevation view of the light fixture of FIG. 8.

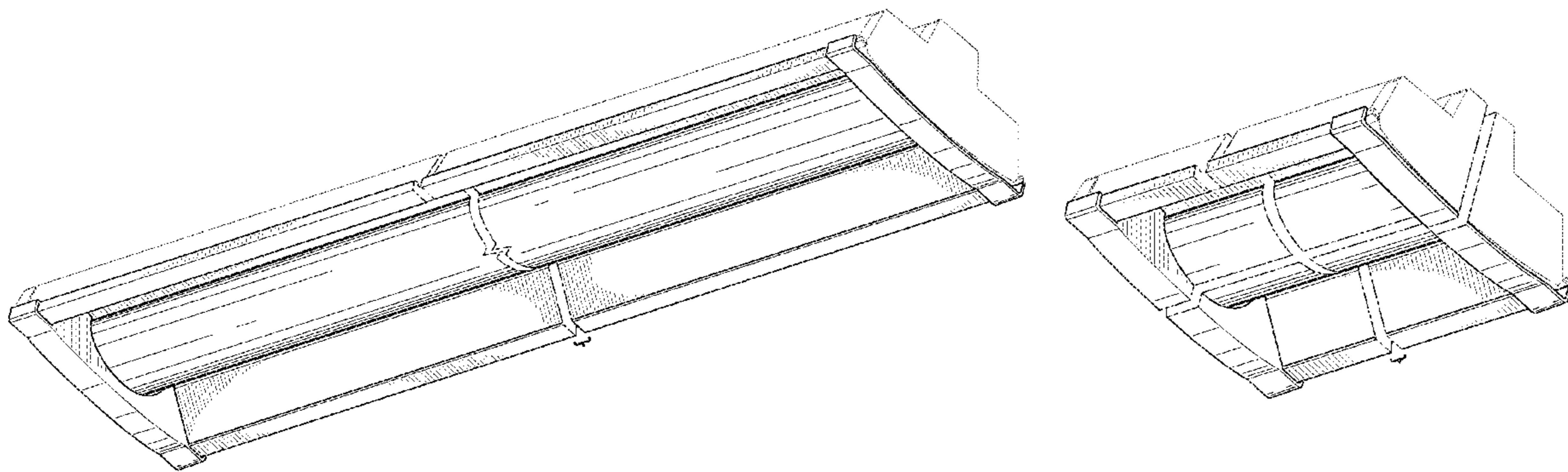
FIG. 12 is a left elevation view of the light fixture of FIG. 8.

FIG. 13 is a bottom plan view of the light fixture of FIG. 8; and,

FIG. 14 is a top plan view of the light fixture of FIG. 8.

Portions or features of the light fixture not shown in the drawings form no part of the claimed design. The evenly dotted broken lines in the drawings illustrate unclaimed features of the claimed design that form no part of the claimed design. The dash-dot-dash-dot broken lines in the drawings represent symbolic breaks along the fixture length and/or width. The appearance of any portion of the light fixture between these breaks forms no part of the claimed design.

1 Claim, 6 Drawing Sheets



(56)

References Cited

U.S. PATENT DOCUMENTS

9,016,892	B1 *	4/2015	Scribante	F21V 17/002	362/222
D743,085	S *	11/2015	Stolte	D26/76	
D744,690	S *	12/2015	Boyer	D26/76	
D757,331	S *	5/2016	Sieczkowski	D26/76	
D757,332	S *	5/2016	Sieczkowski	D26/76	
D757,981	S *	5/2016	Stolte	D26/76	
2013/0021792	A1 *	1/2013	Snell	F21S 2/00	362/218
2013/0194820	A1 *	8/2013	Pickard	F21V 7/0066	362/555

* cited by examiner

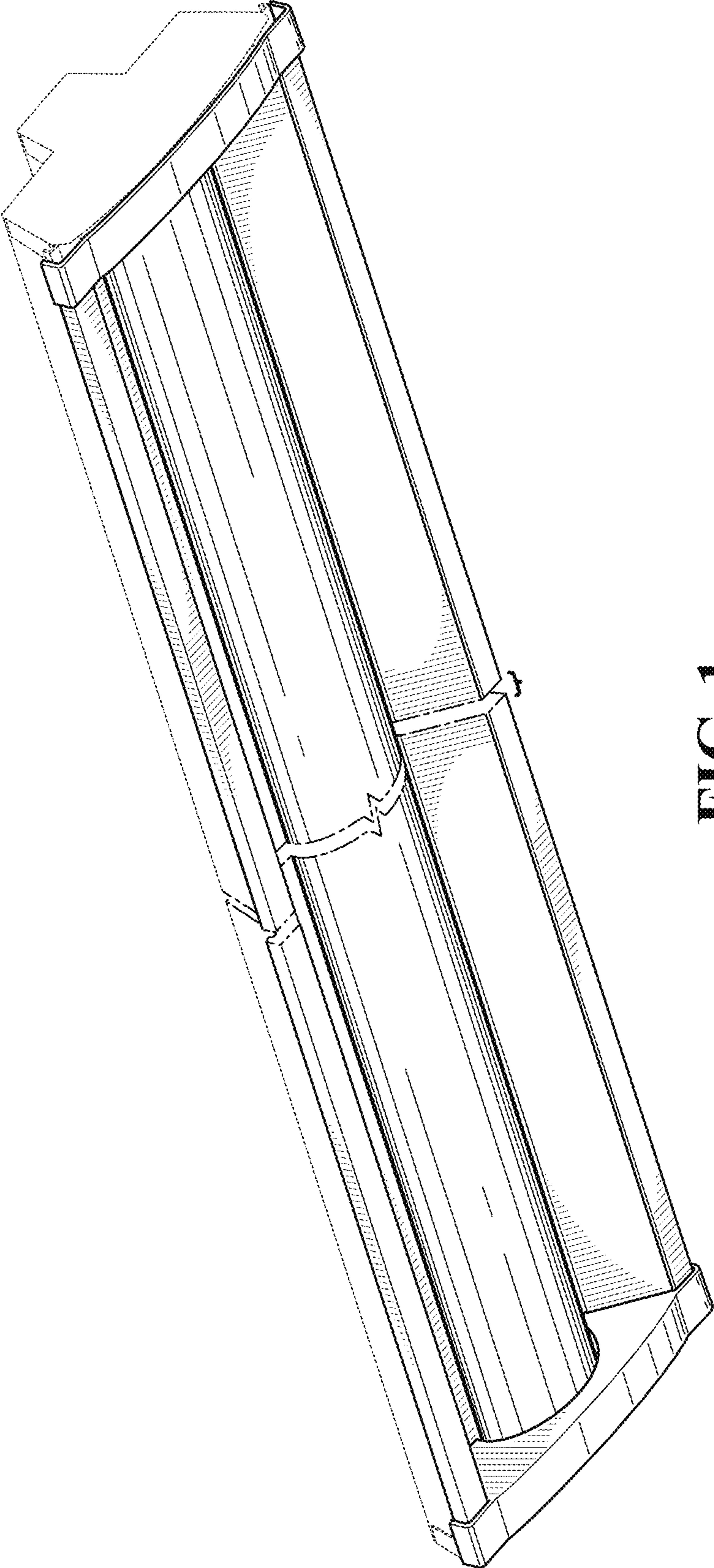


FIG. 1

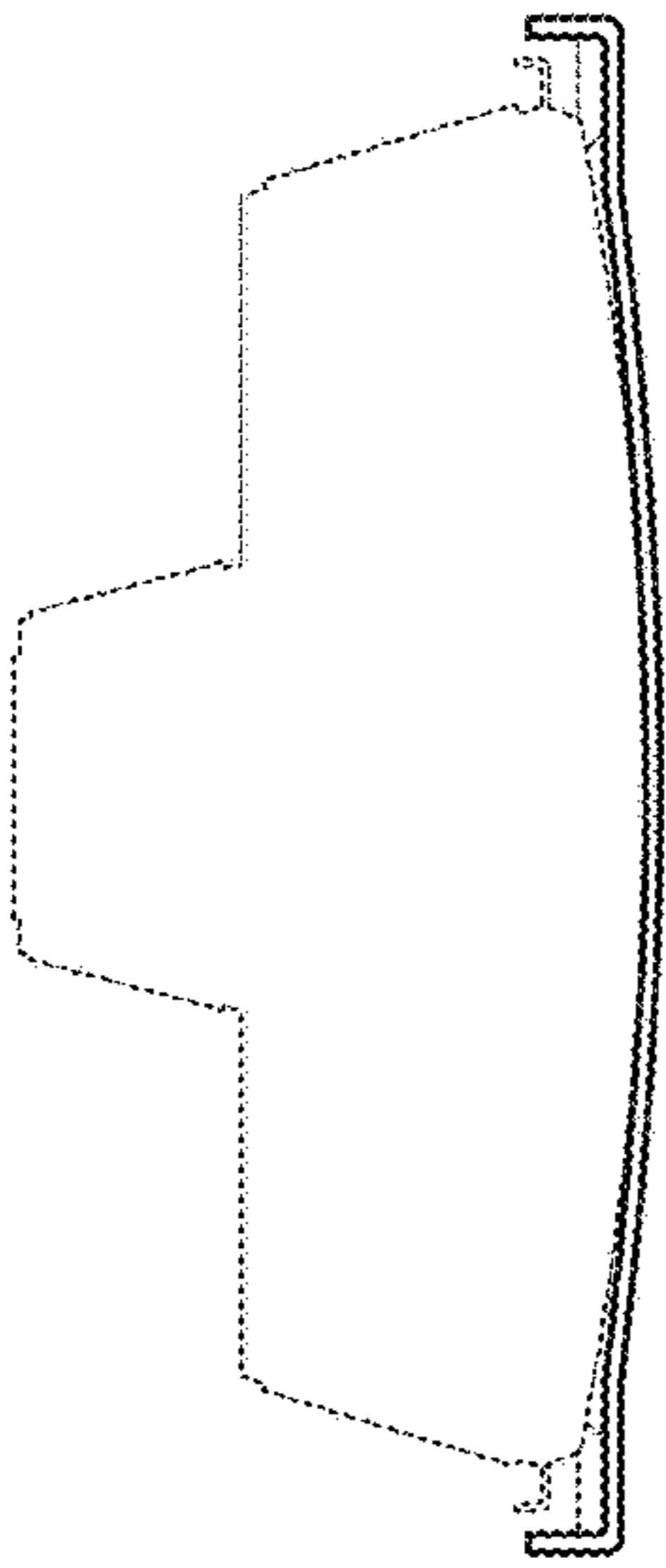


FIG. 2

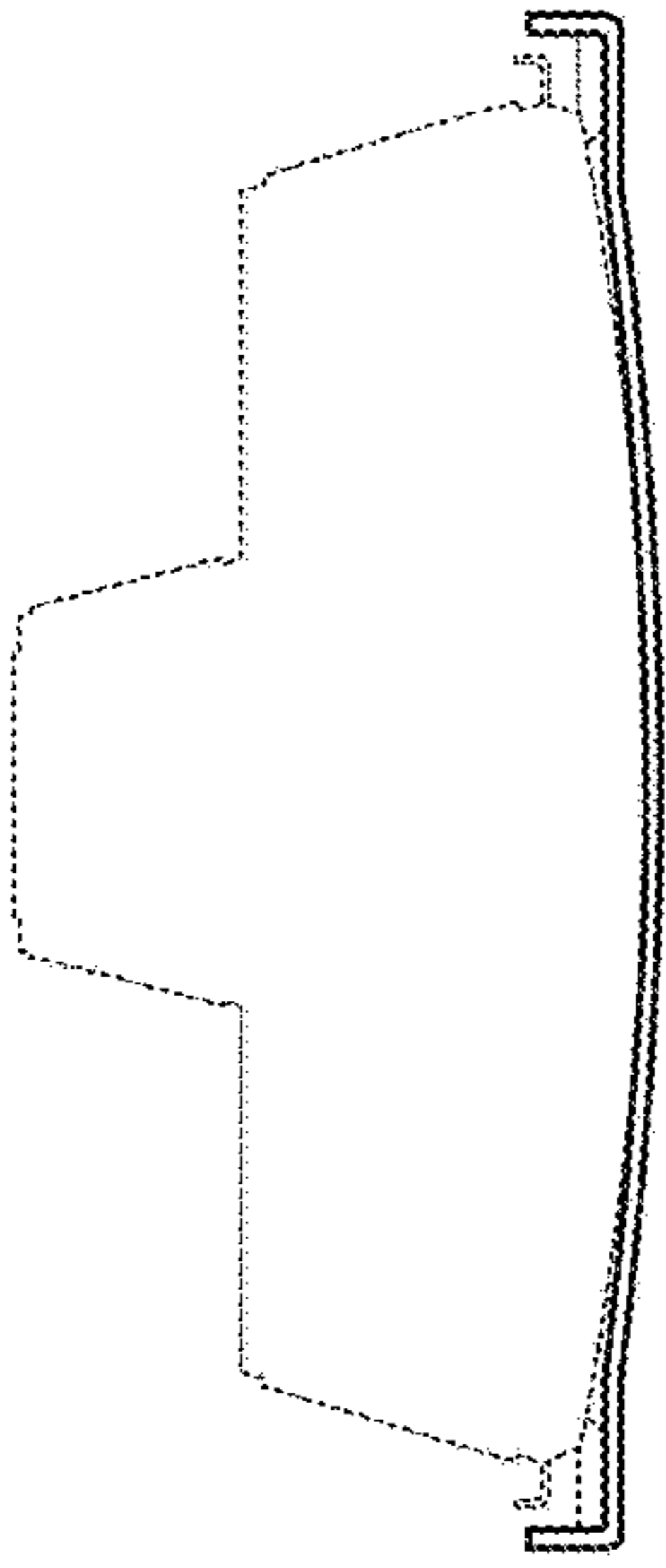


FIG. 3

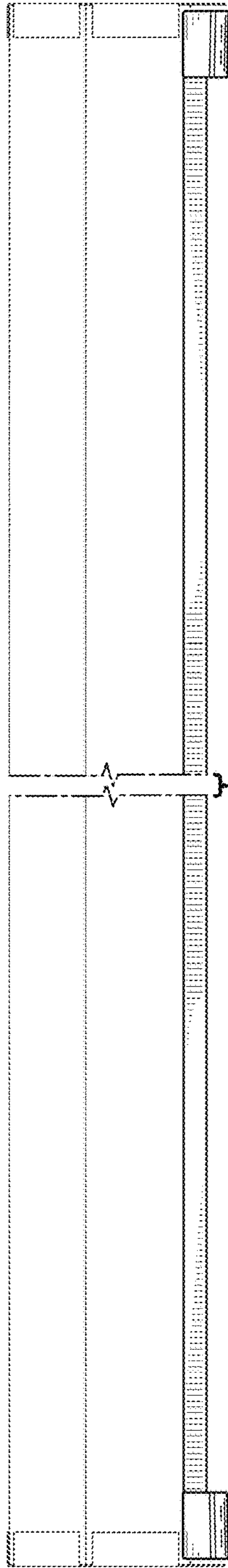


FIG. 4

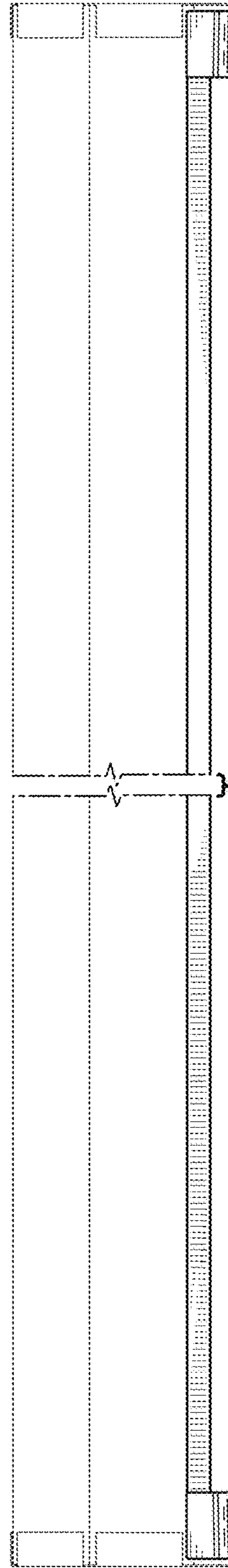


FIG. 5

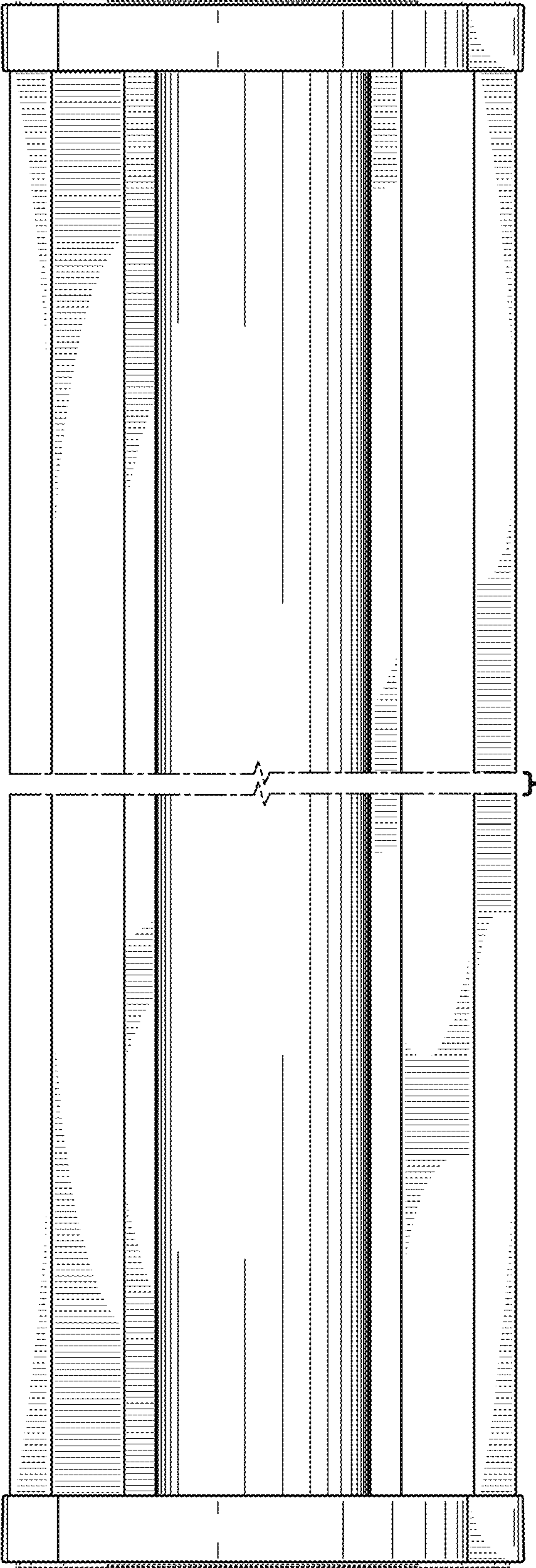


FIG. 6

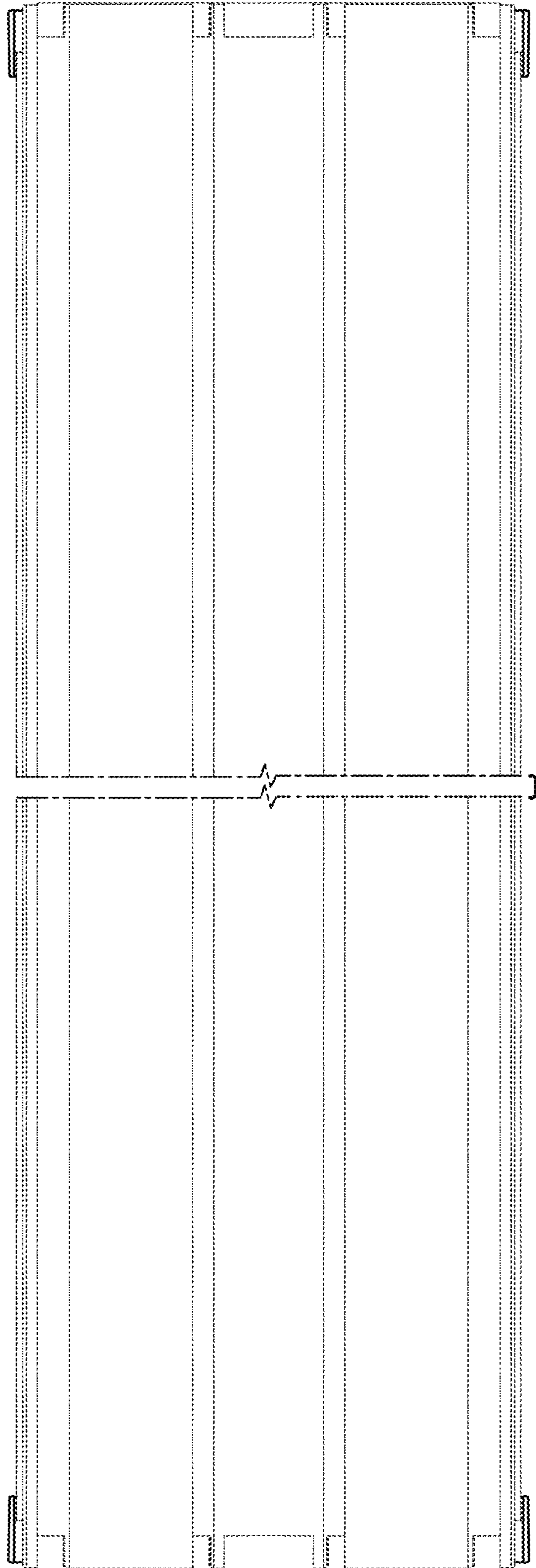


FIG. 7

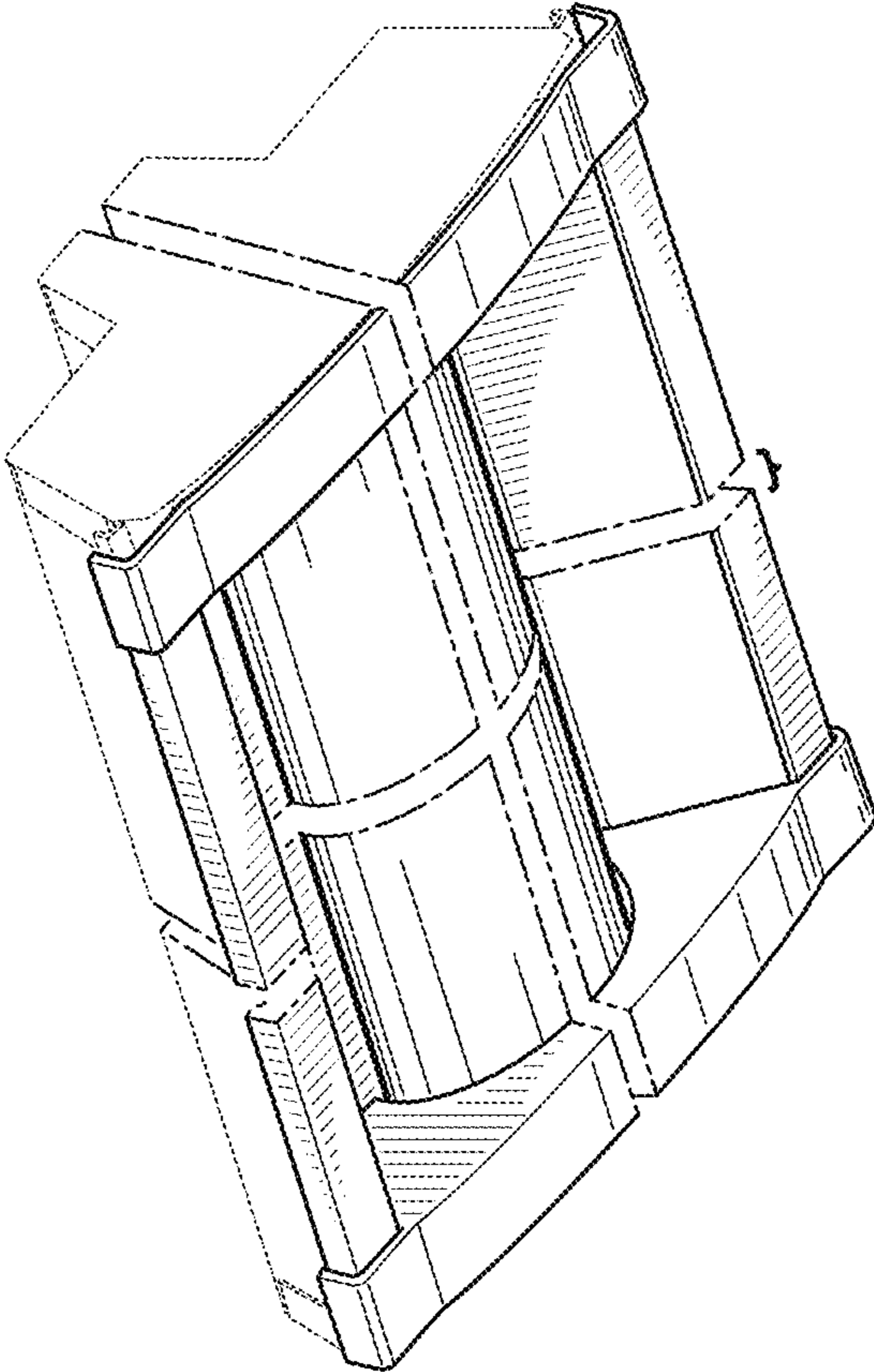


FIG. 8

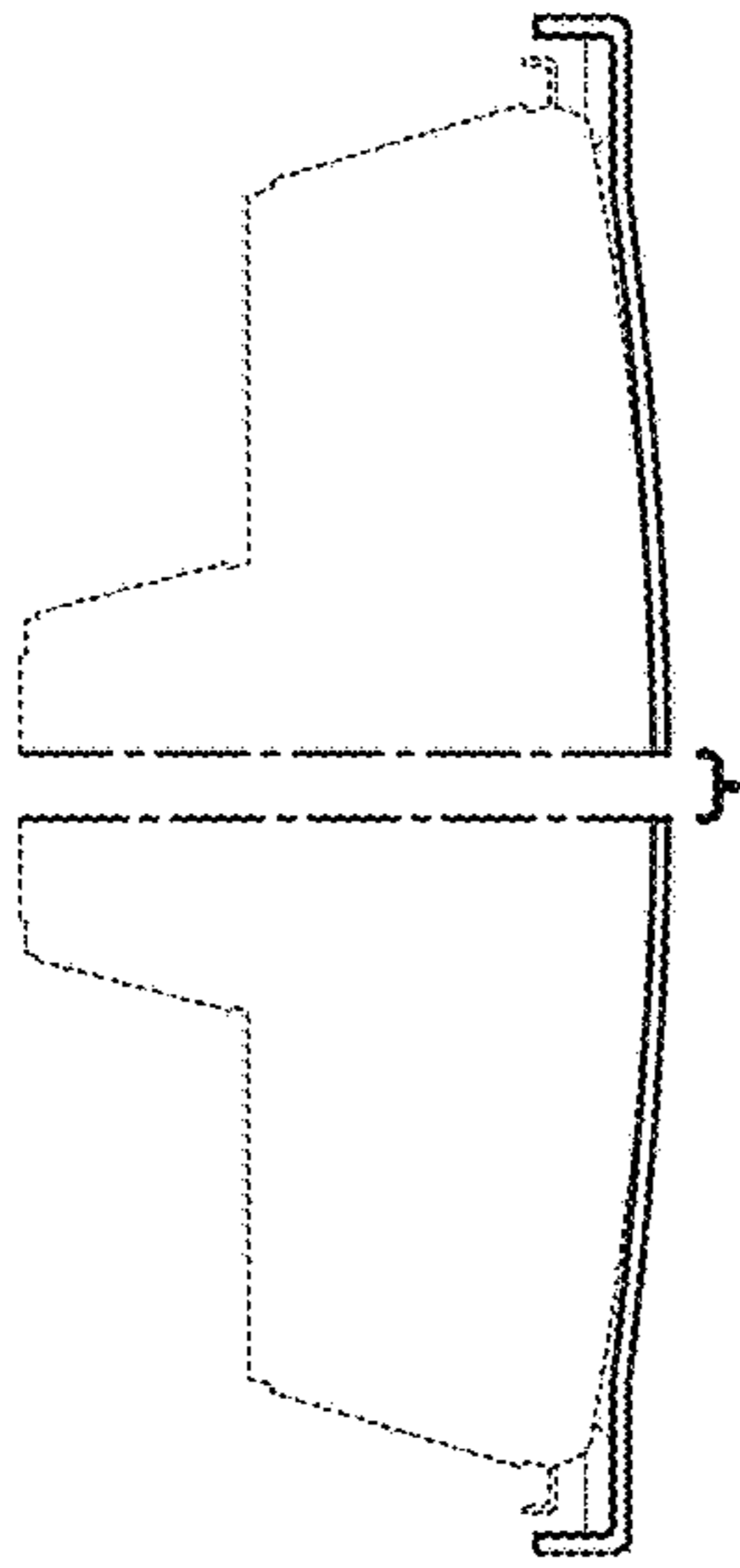


FIG. 9

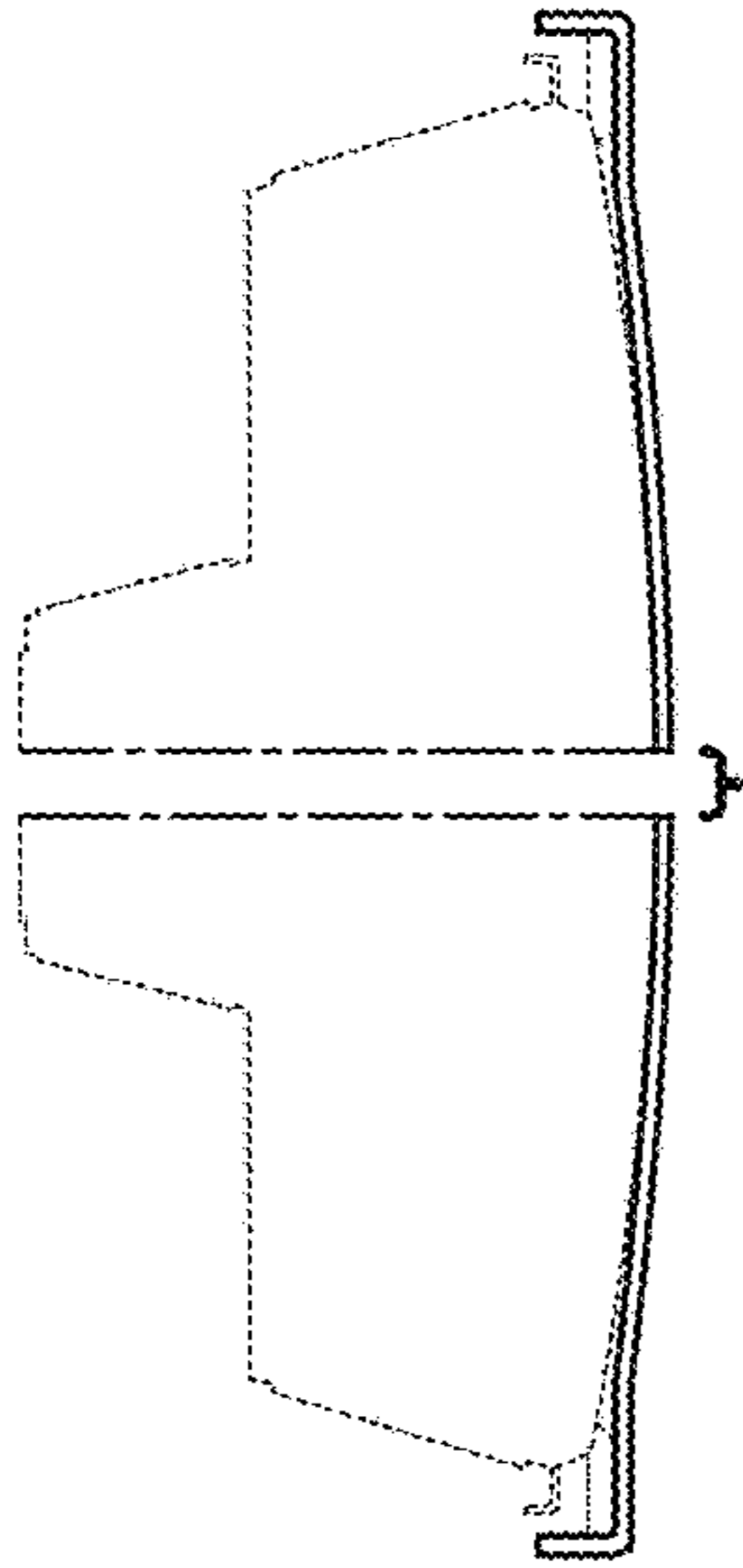


FIG. 10

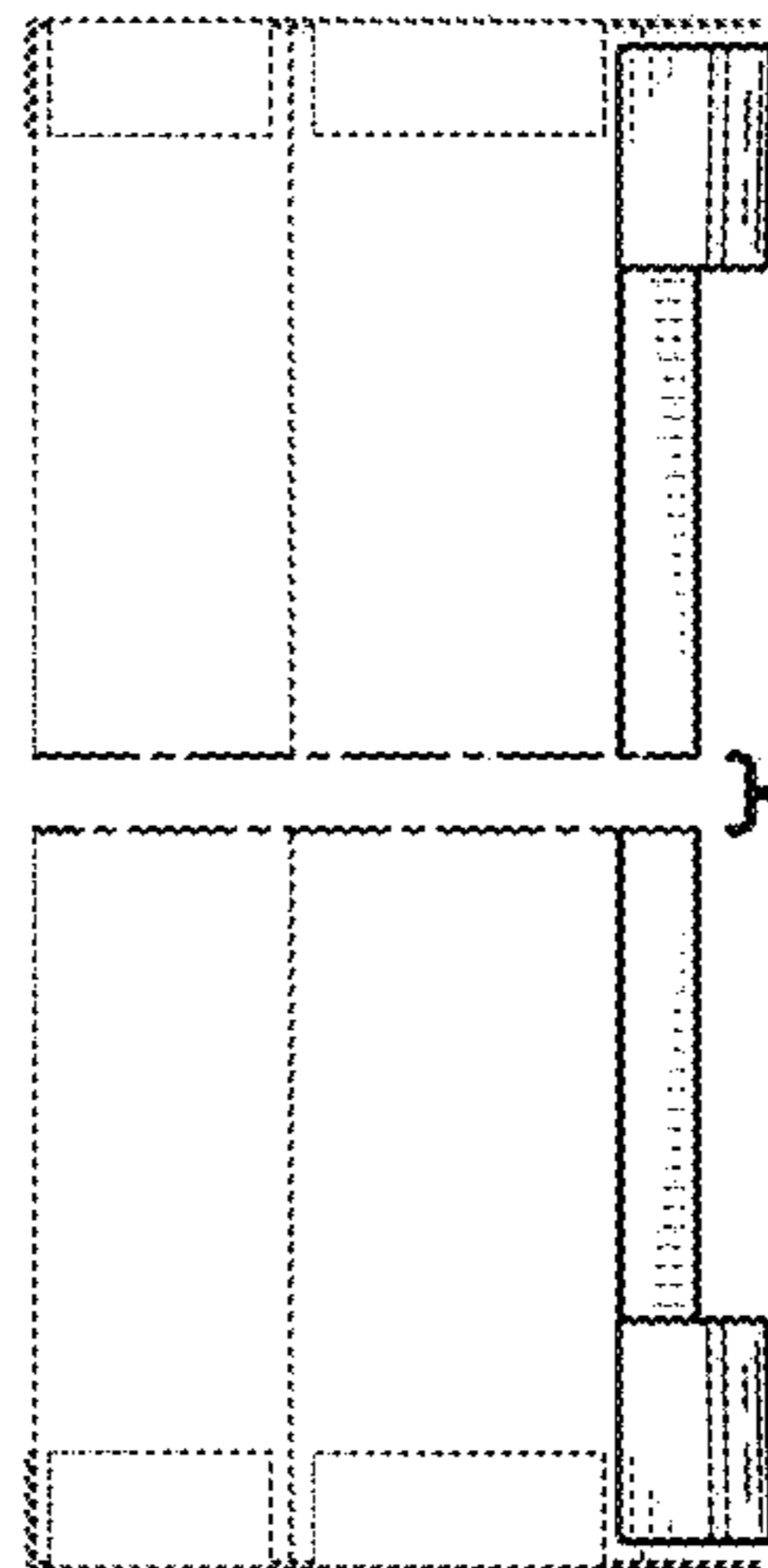


FIG. 11

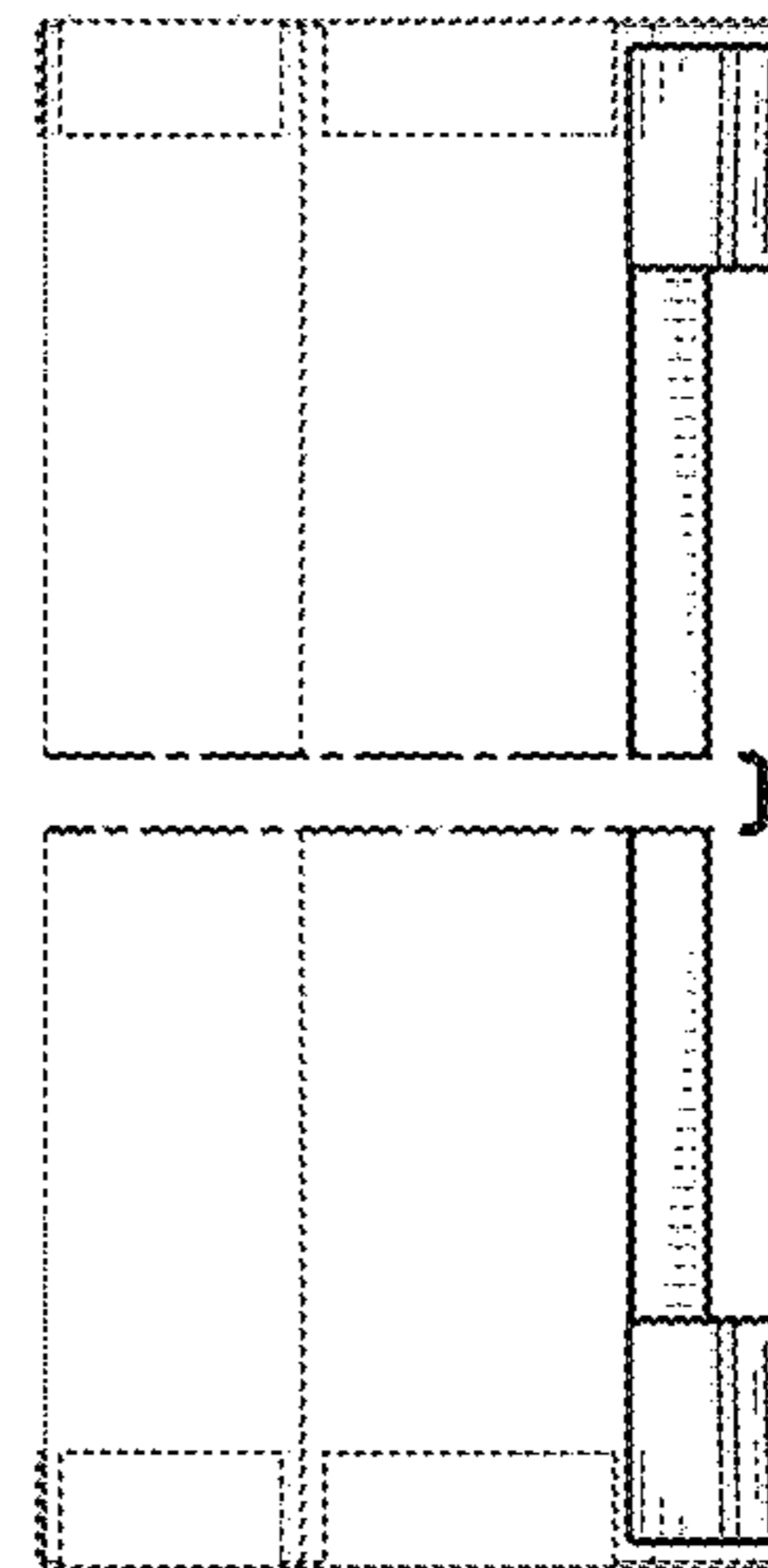


FIG. 12

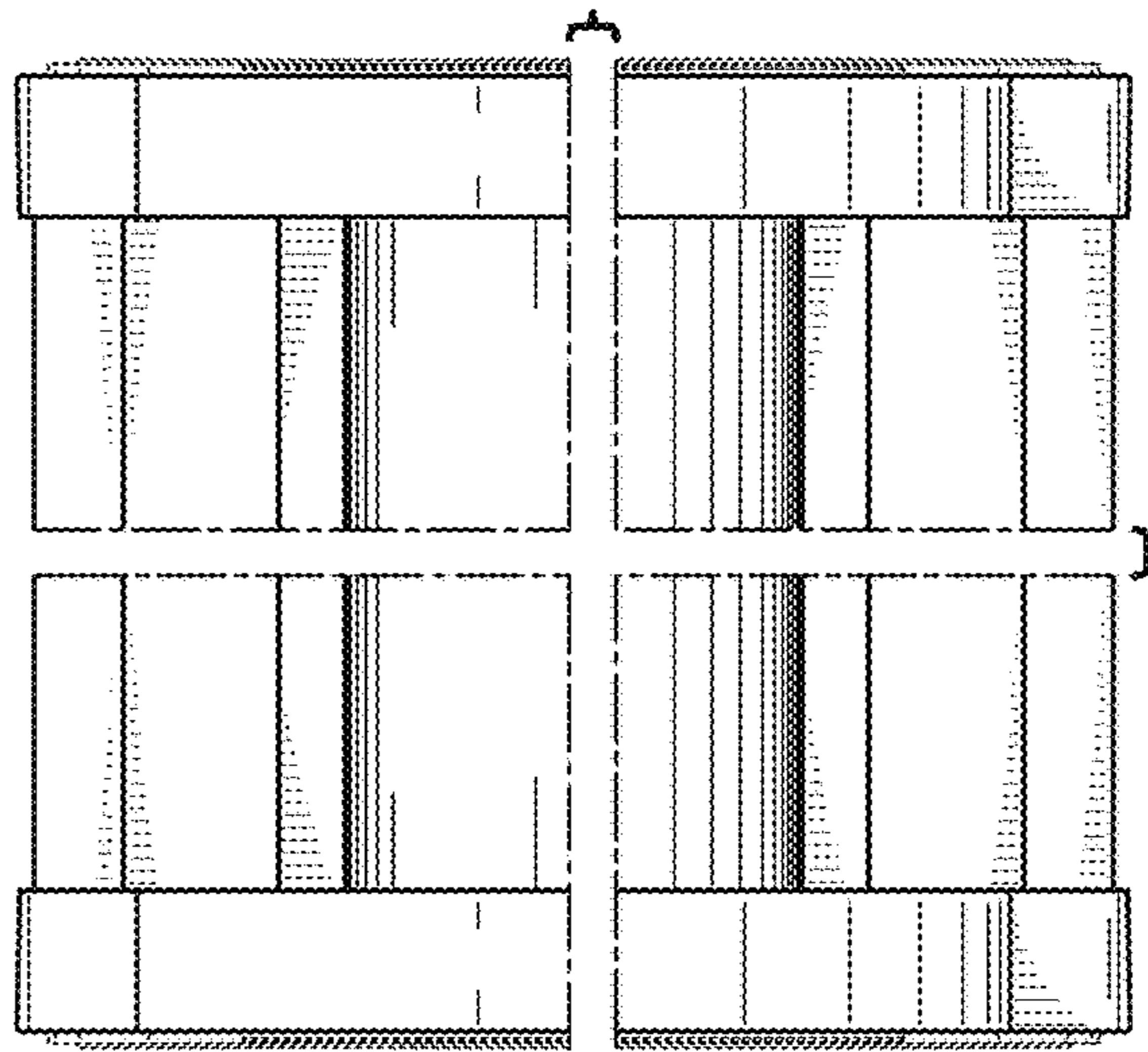


FIG. 13

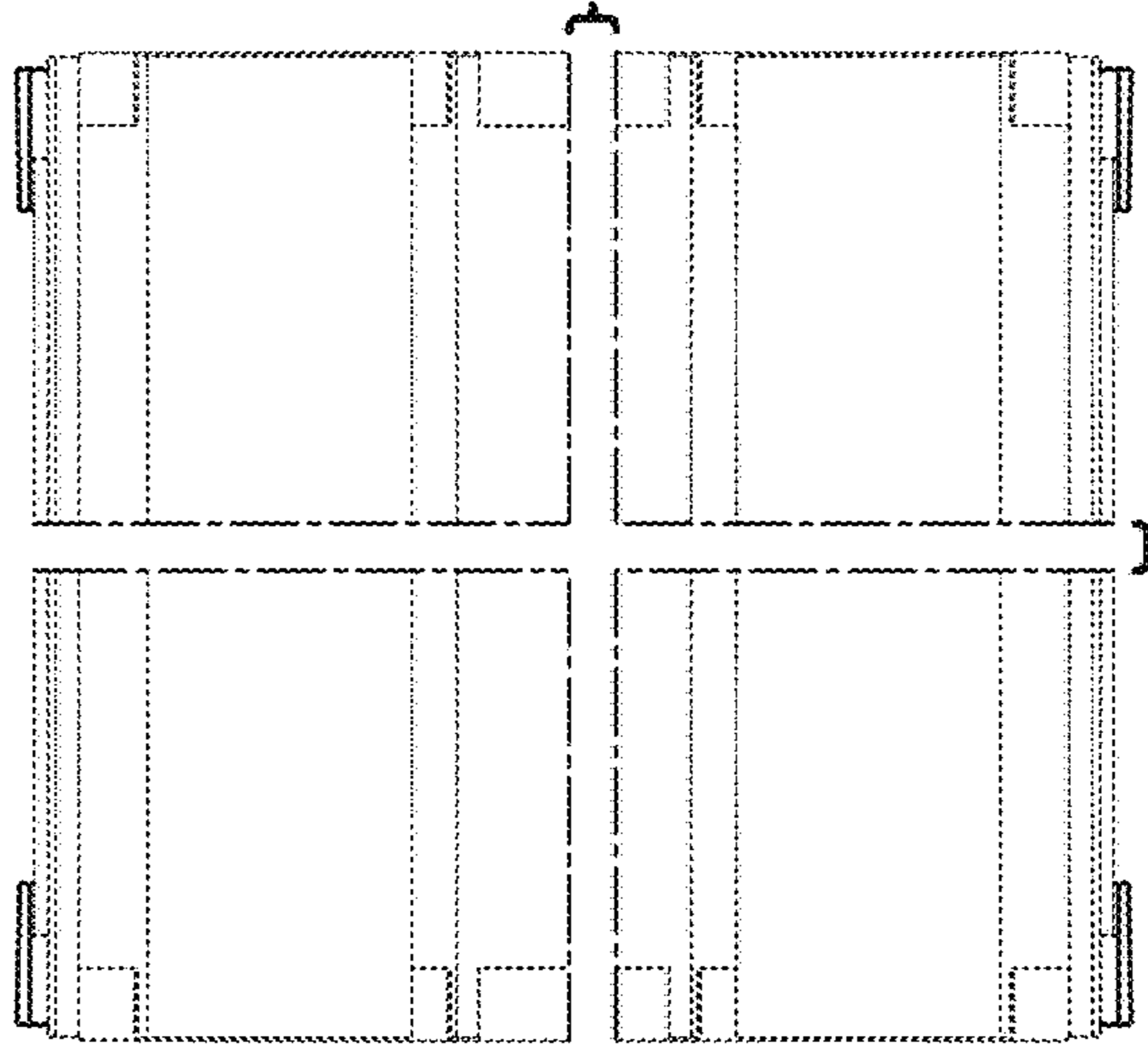


FIG. 14