



US00D786474S

(12) **United States Design Patent** (10) **Patent No.:** **US D786,474 S**  
**Fujisawa** (45) **Date of Patent:** **\*\* May 9, 2017**

(54) **RECESSED CEILING LIGHT**  
(71) Applicant: **MINEBEA CO., LTD.**, Kitasaku-gun,  
Nagano (JP)  
(72) Inventor: **Shinichi Fujisawa**, Akiruno (JP)  
(73) Assignee: **MINEBEA CO., LTD.**, Nagano (JP)  
(\*\*) Term: **15 Years**

D656,262 S \* 3/2012 Yoshinobu ..... D26/74  
D672,899 S \* 12/2012 Van De Ven ..... D26/74  
D684,289 S \* 6/2013 Goelz ..... D26/74  
D691,315 S \* 10/2013 Samson ..... D26/74  
D691,761 S \* 10/2013 Pratt ..... D26/74  
D710,047 S \* 7/2014 Hildebrandt ..... D26/74  
D714,987 S \* 10/2014 Saville ..... D26/118  
D726,949 S \* 4/2015 Redfern ..... D26/74  
D739,590 S \* 9/2015 Redfern ..... D26/74  
D768,325 S \* 10/2016 Xu ..... D26/74  
D776,324 S \* 1/2017 Gierl ..... D26/74

\* cited by examiner

(21) Appl. No.: **29/557,969**  
(22) Filed: **Mar. 14, 2016**

*Primary Examiner* — Angela J Lee  
(74) *Attorney, Agent, or Firm* — Oliff PLC

(30) **Foreign Application Priority Data**  
Sep. 16, 2015 (JP) ..... 2015-020626  
(51) **LOC (10) Cl.** ..... **26-05**  
(52) **U.S. Cl.**  
USPC ..... **D26/74**  
(58) **Field of Classification Search**  
USPC ..... D26/74, 72, 75, 76, 77, 78, 85, 88, 89,  
D26/118, 138, 141; 362/364, 365, 373,  
362/145, 146, 147, 148, 150, 153, 153.1,  
362/294, 296.01, 296.07, 296.08  
CPC ..... F21V 29/2262; F21V 7/06; F21V 21/044;  
F21V 21/047; F21V 29/2212; F21V  
29/2225; F21V 29/2256; F21V 29/225;  
F21V 29/2268; F21Y 2111/002; F21S  
8/02; F21S 8/026  
See application file for complete search history.

(57) **CLAIM**  
The ornamental design for a recessed ceiling light, as shown  
and described.

(56) **References Cited**  
U.S. PATENT DOCUMENTS  
D326,537 S \* 5/1992 Gattari ..... D26/74  
D326,729 S \* 6/1992 Gattari ..... D26/74

**DESCRIPTION**  
FIG. 1 is a front, top, and right perspective view of a  
recessed ceiling light showing my new design;  
FIG. 2 is a front, bottom, and left perspective view thereof;  
FIG. 3 is a front elevational view thereof;  
FIG. 4 is a rear elevational view thereof;  
FIG. 5 is a right-side elevational view thereof;  
FIG. 6 is a left-side elevational view thereof;  
FIG. 7 is a top plan view thereof;  
FIG. 8 is a bottom plan view thereof; and,  
FIG. 9 is an enlarged cross-sectional view taken along a line  
**9-9** in FIG. 7 in which the internal mechanism is omitted  
thereof.  
The portions of all drawings shown in broken lines are for  
illustrative purposes only and form no part of the claimed  
design.

**1 Claim, 5 Drawing Sheets**

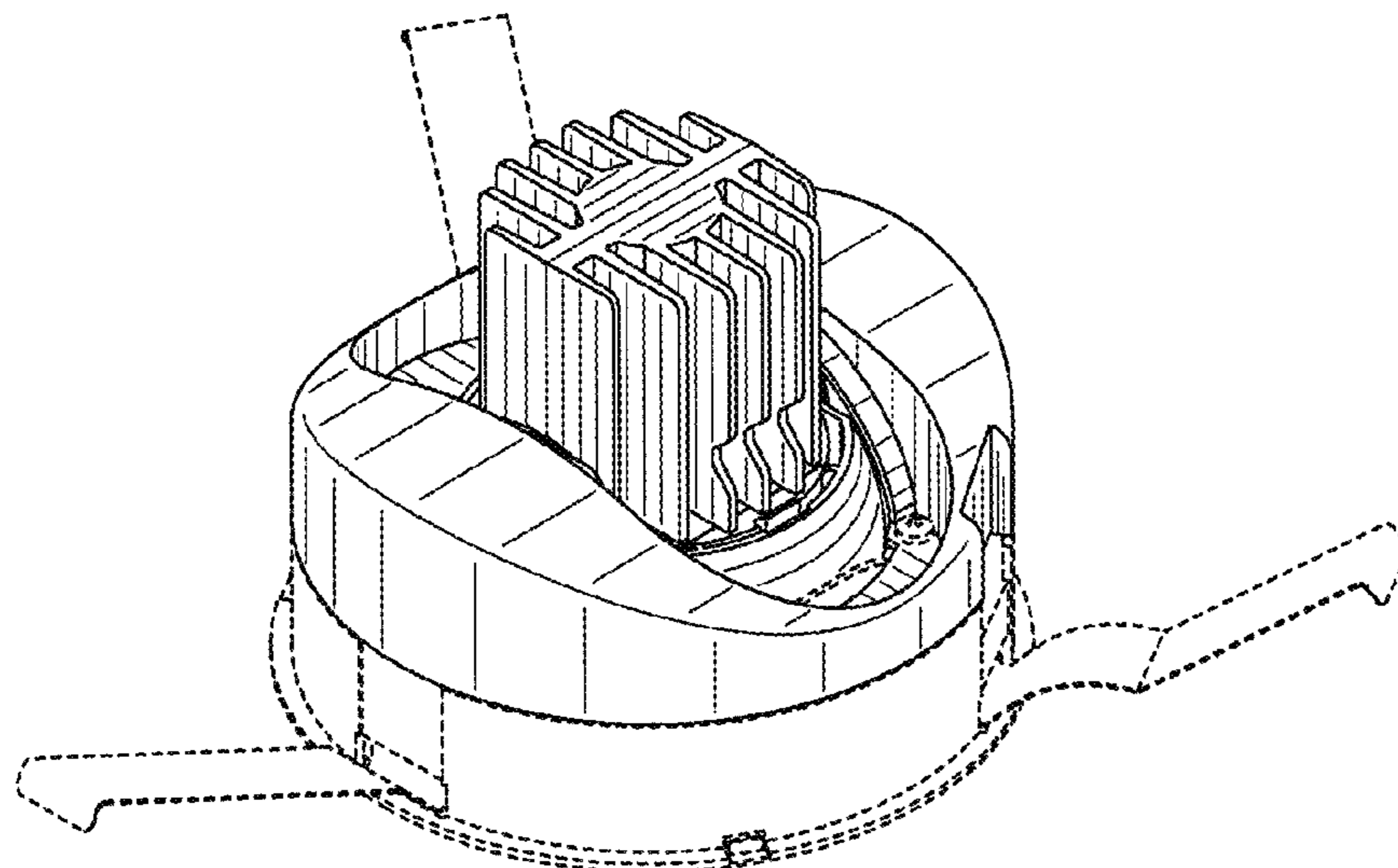


FIG. 1

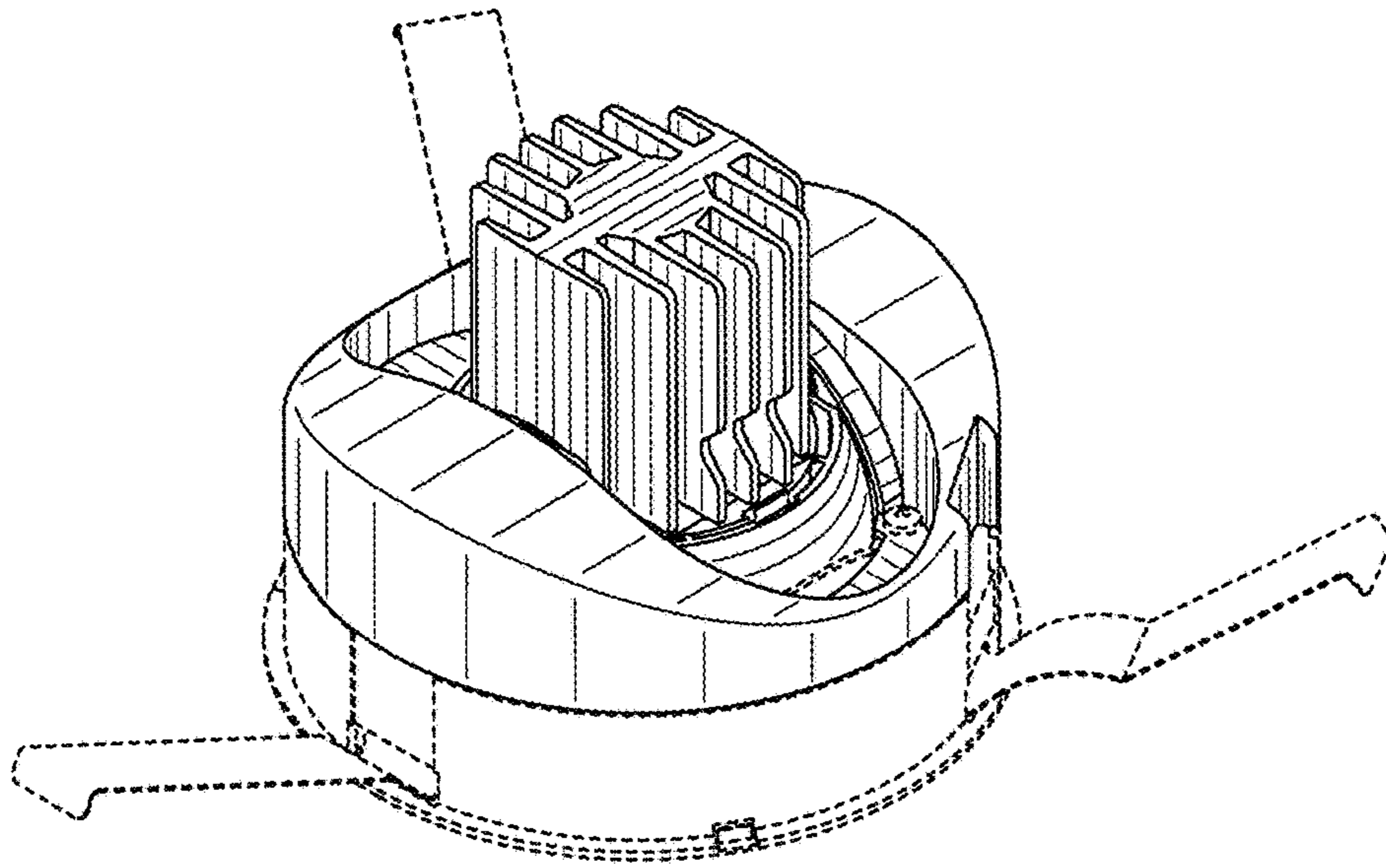
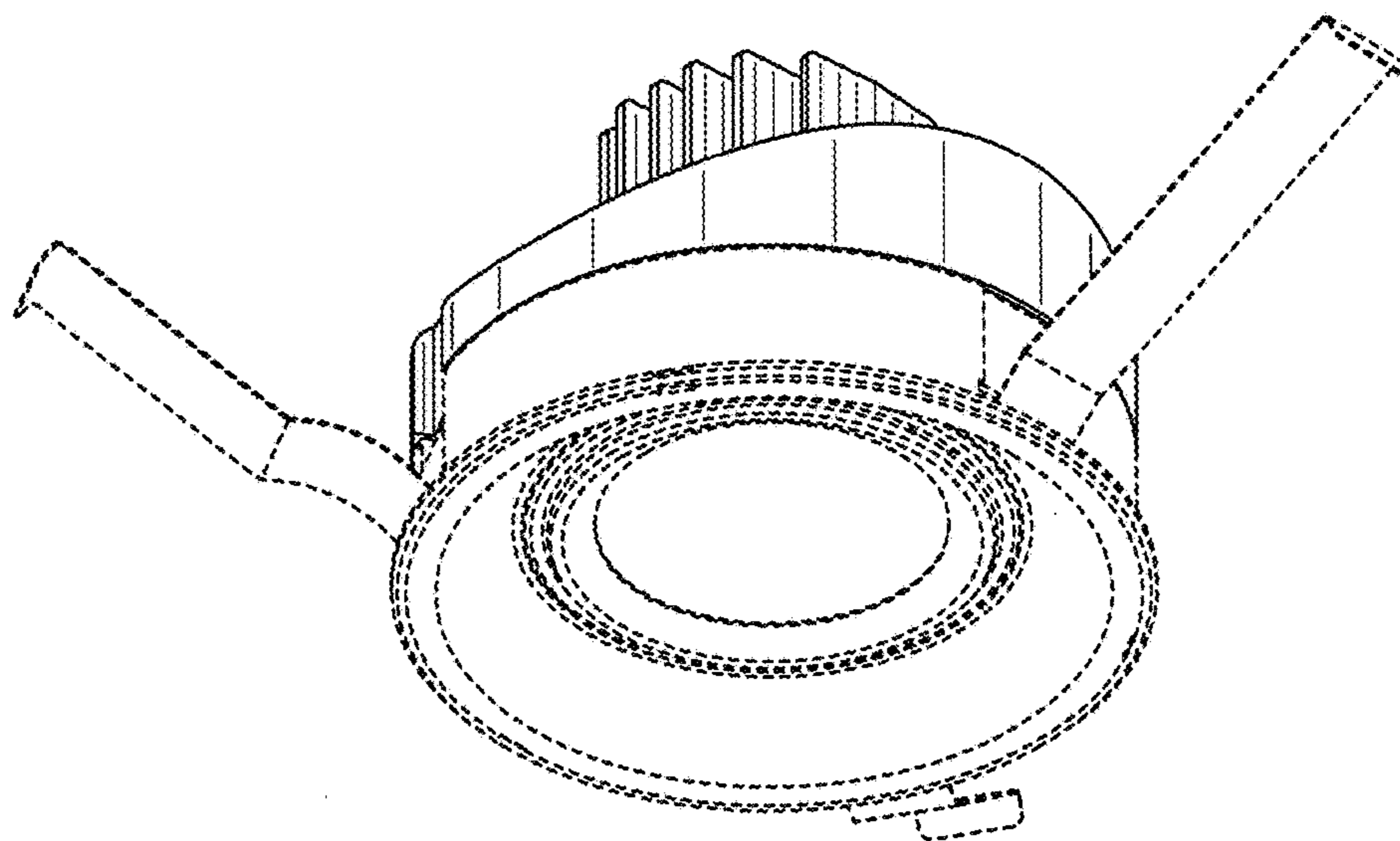
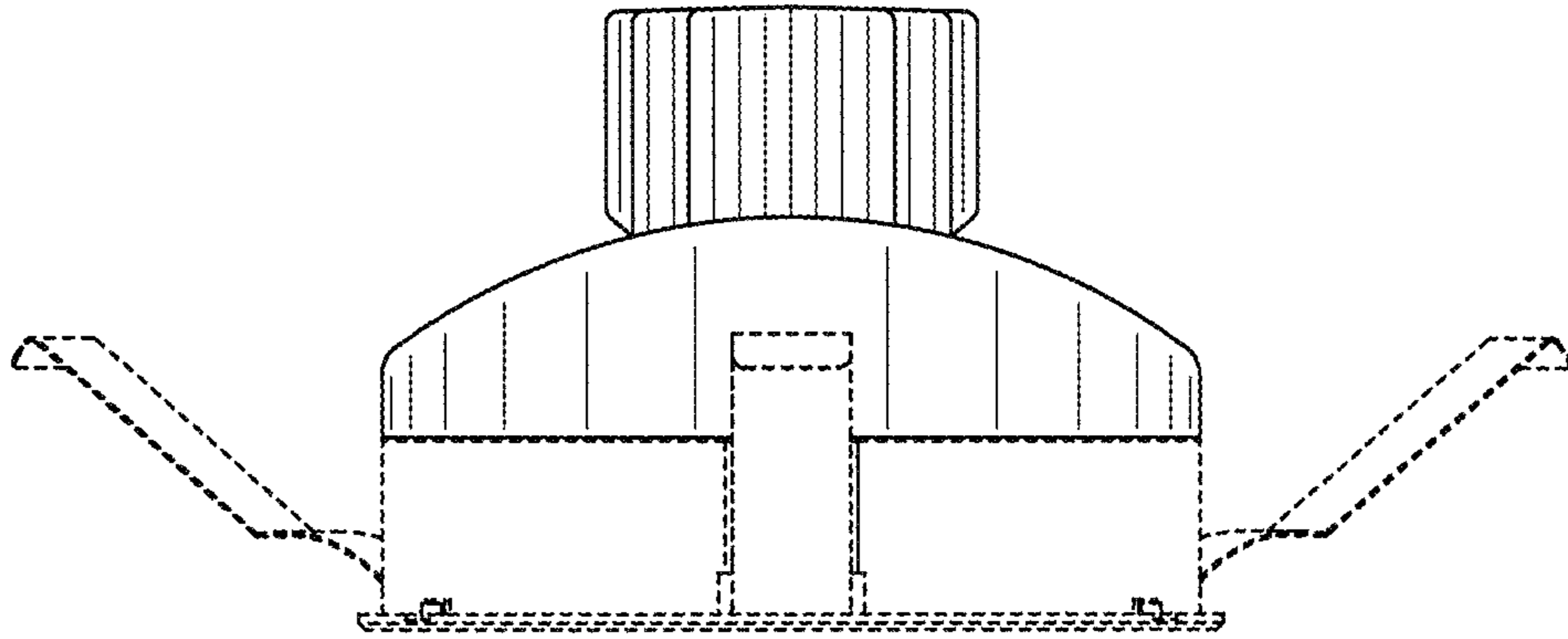


FIG. 2



*FIG. 3*



*FIG. 4*

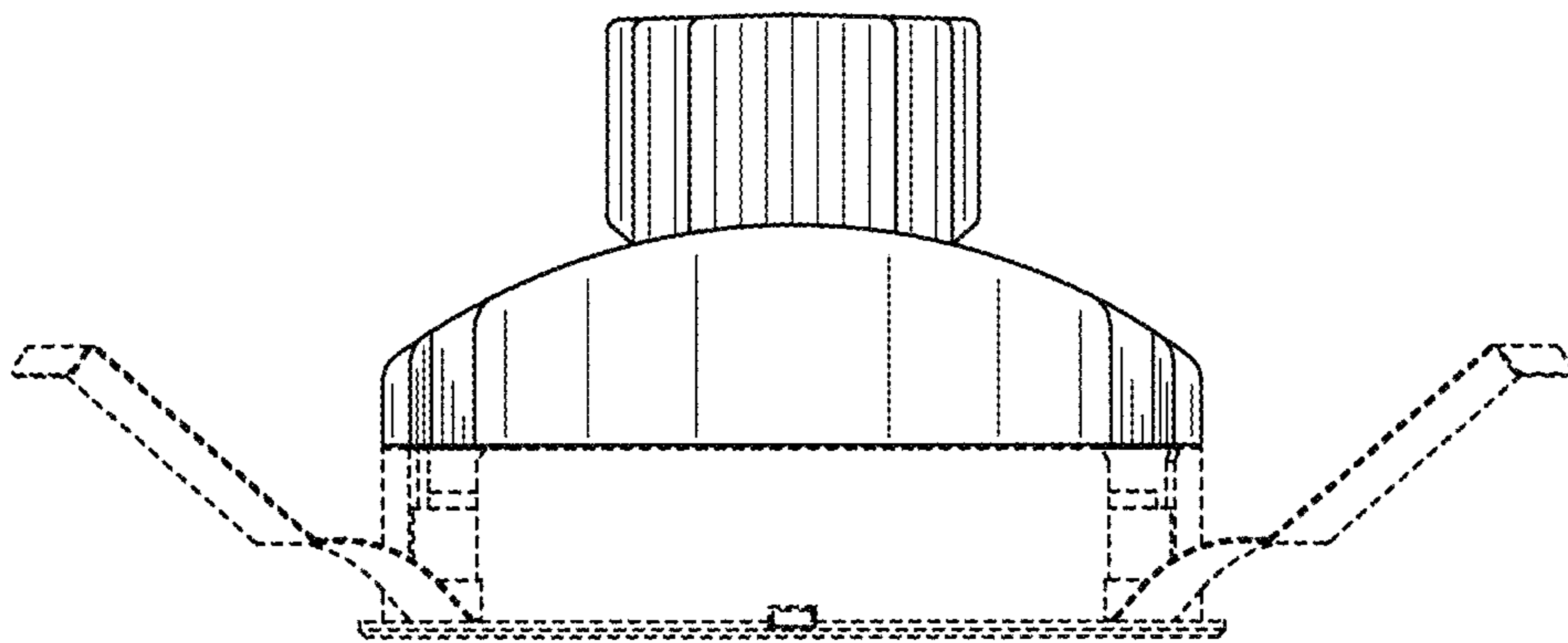


FIG. 5

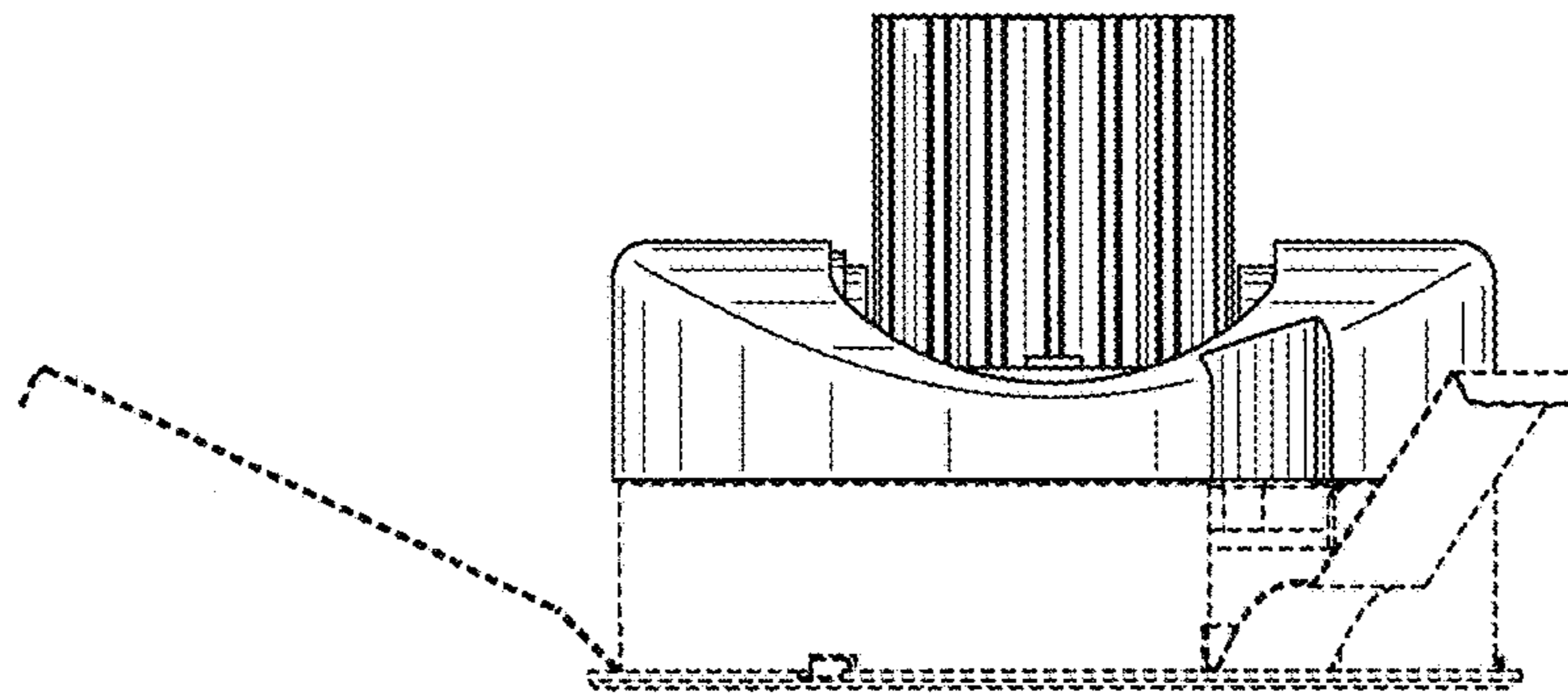
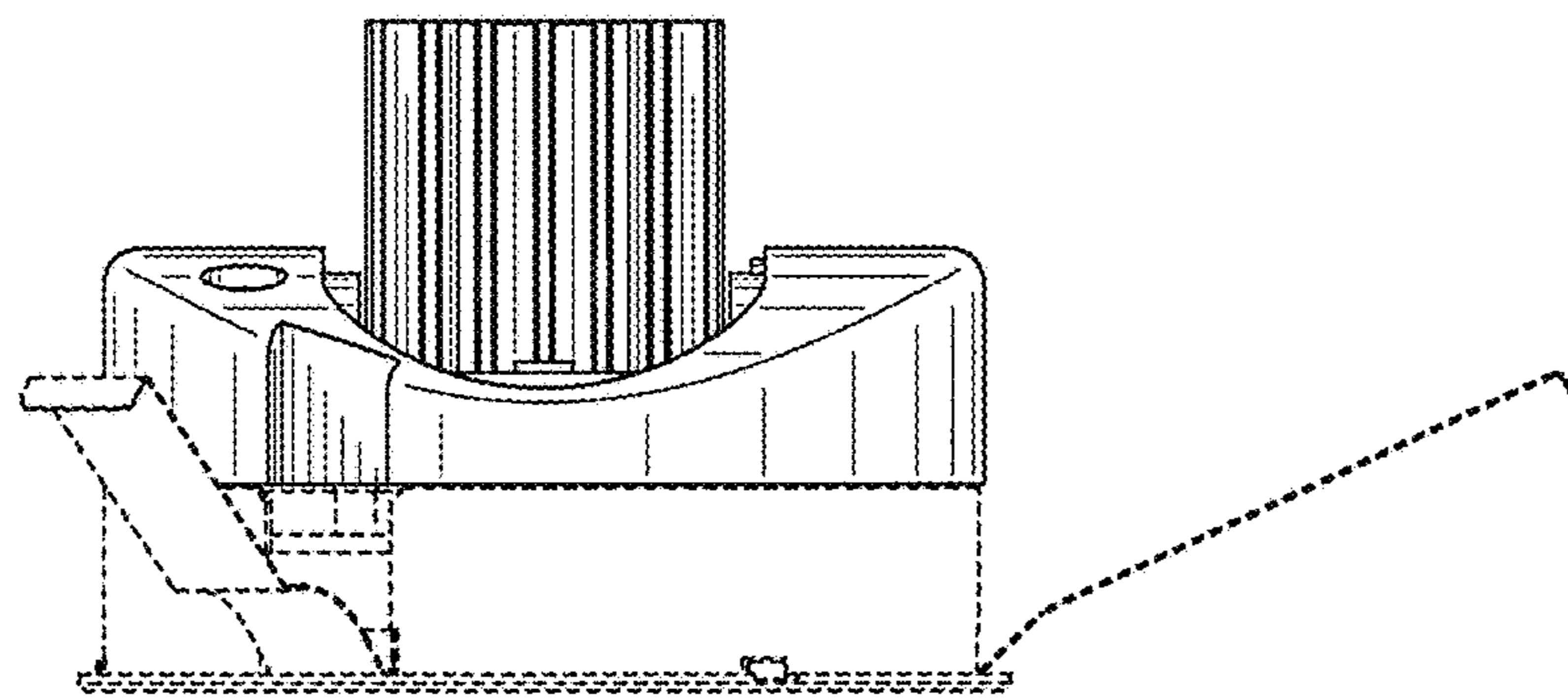


FIG. 6





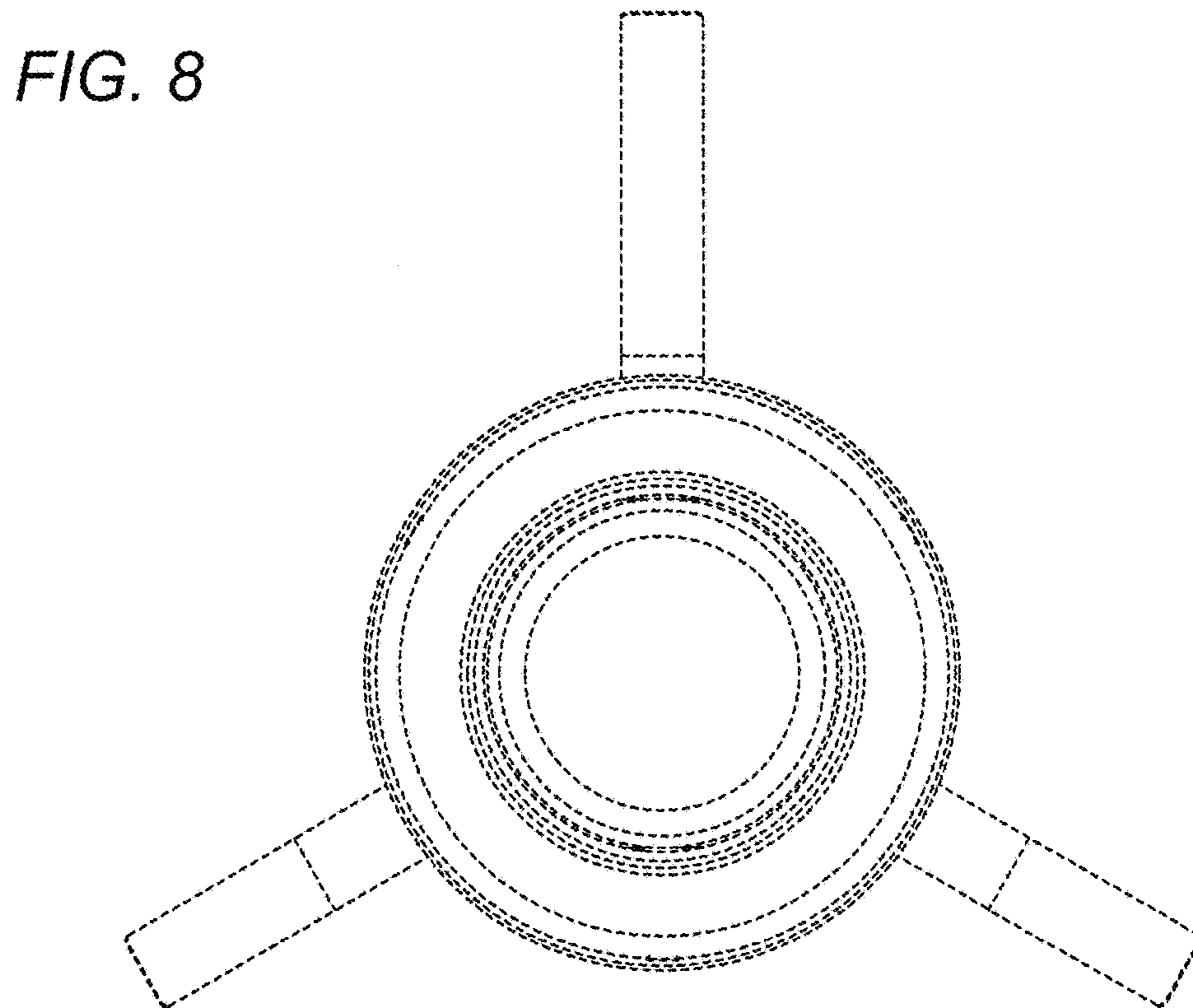
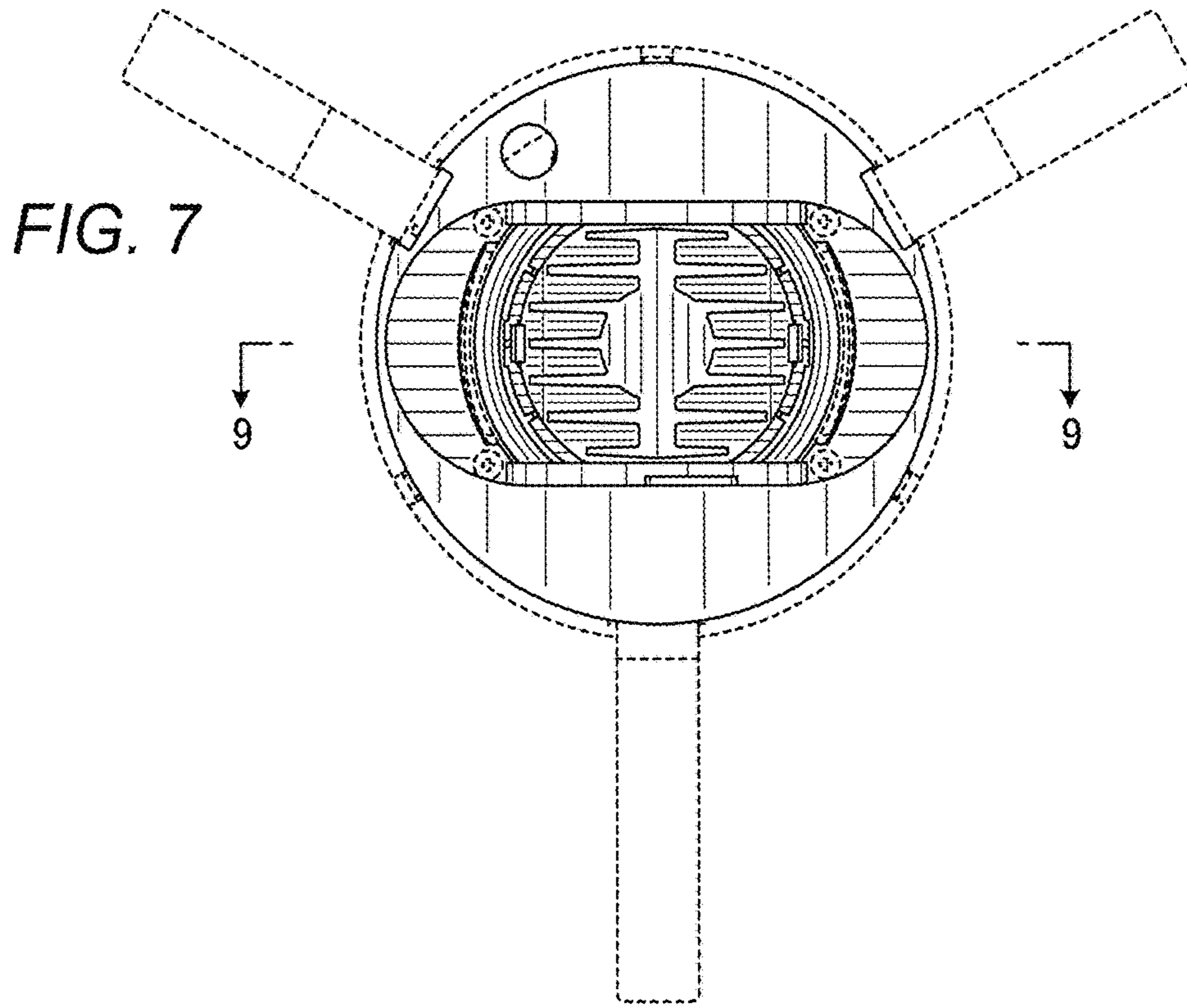


FIG. 9

