



US00D786473S

(12) **United States Design Patent** (10) **Patent No.:** **US D786,473 S**
Dean (45) **Date of Patent:** **** May 9, 2017**

(54) **SPOTLIGHT**
(71) Applicant: **ZUMTOBEL LIGHTING GMBH,**
Lemgo (DE)
(72) Inventor: **Steve Dean,** Welwyn Garden (GB)
(73) Assignee: **ZUMTOBEL LIGHTING GMBH,**
Lemgo (DE)

D410,295 S * 5/1999 Lueken D26/63
6,634,764 B2 * 10/2003 Kotovsky F21V 21/04
362/147
D568,522 S * 5/2008 Engel D26/74
D627,498 S * 11/2010 Chipperfield D26/63
D698,071 S * 1/2014 Messiaen D26/74
D726,360 S * 4/2015 Messiaen D26/74
D747,530 S * 1/2016 Lazalier D26/74
D769,503 S * 10/2016 Van Lierde D26/74
D772,466 S * 11/2016 Zhang D26/74

* cited by examiner

(**) Term: **15 Years**
(21) Appl. No.: **29/551,948**
(22) Filed: **Jan. 19, 2016**

Primary Examiner — Angela J Lee
(74) *Attorney, Agent, or Firm* — Scully Scott Murphy and
Presser; Frank Digiglio

(30) **Foreign Application Priority Data**

Jul. 17, 2015 (EM) 002 738 690

(51) **LOC (10) Cl.** **26-05**
(52) **U.S. Cl.**
USPC **D26/74**

(58) **Field of Classification Search**
USPC D26/74, 72, 75, 76, 77, 78, 85, 88, 89,
D26/118, 138, 141; 362/364, 365, 373,
362/145, 146, 147, 148, 150, 153, 153.1,
362/294, 296.01, 296.07, 296.08
CPC F21V 29/2262; F21V 7/06; F21V 21/044;
F21V 21/047; F21V 29/2212; F21V
29/2225; F21V 29/2256; F21V 29/225;
F21V 29/2268; F21Y 2111/002; F21S
8/02; F21S 8/026
See application file for complete search history.

(56) **References Cited**

U.S. PATENT DOCUMENTS

D315,417 S * 3/1991 Ziaylek, Jr. D26/24
D316,156 S * 4/1991 Gecchelin D26/63

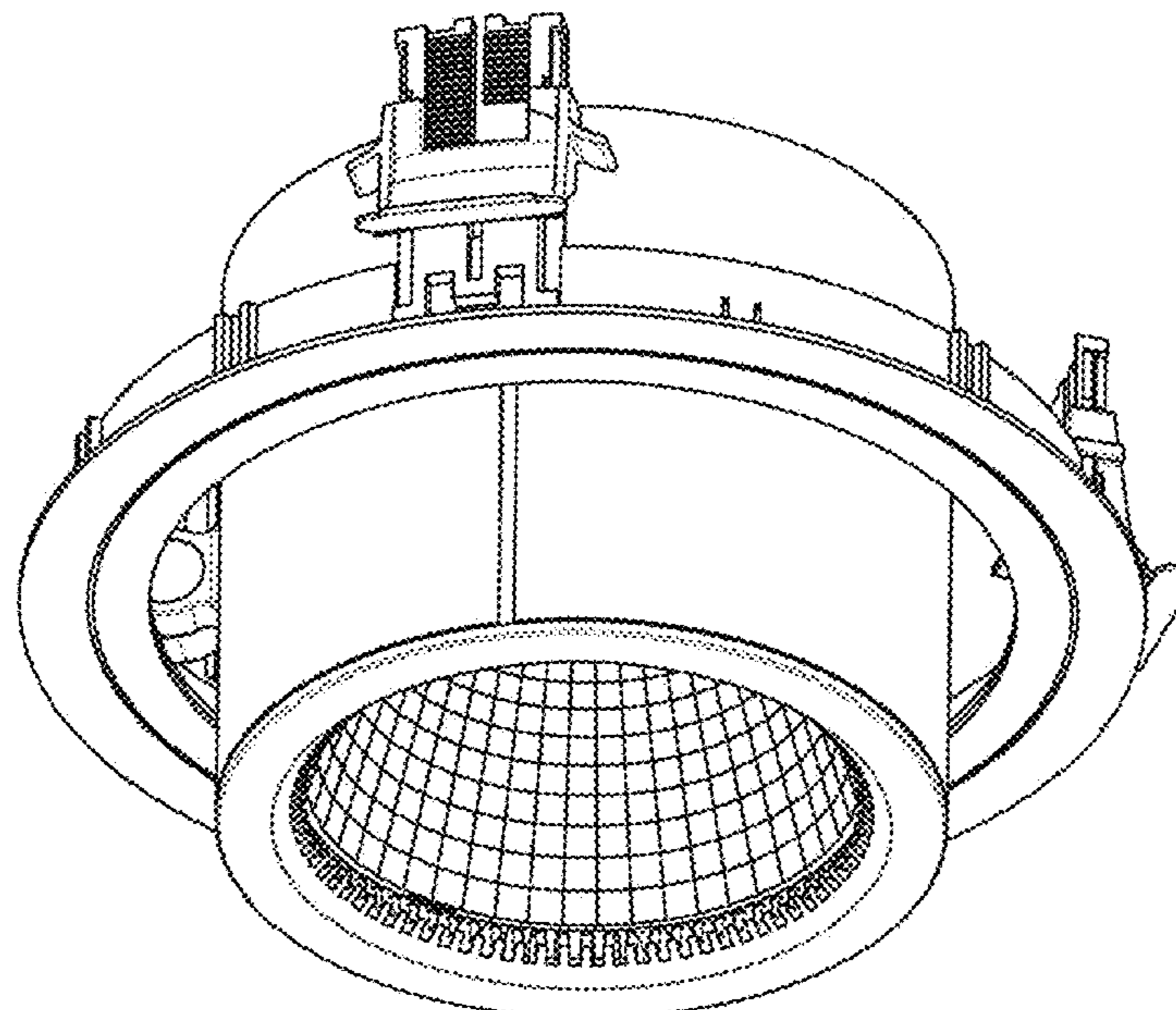
(57) **CLAIM**

The ornamental design for a spotlight, as shown and described.

DESCRIPTION

FIG. 1 illustrates a perspective view of the spotlight, showing our new and ornamental design;
FIG. 2 illustrates a perspective thereof;
FIG. 3 illustrates a bottom view thereof;
FIG. 4 illustrates a top view thereof;
FIG. 5 illustrates a side view thereof;
FIG. 6 illustrates a side view thereof; and,
FIG. 7 illustrates a perspective view thereof, but showing the spotlight in an alternate position.
The portions of the spotlight shown in broken lines shown in the figures attached hereto form no part of the claimed design.

1 Claim, 7 Drawing Sheets



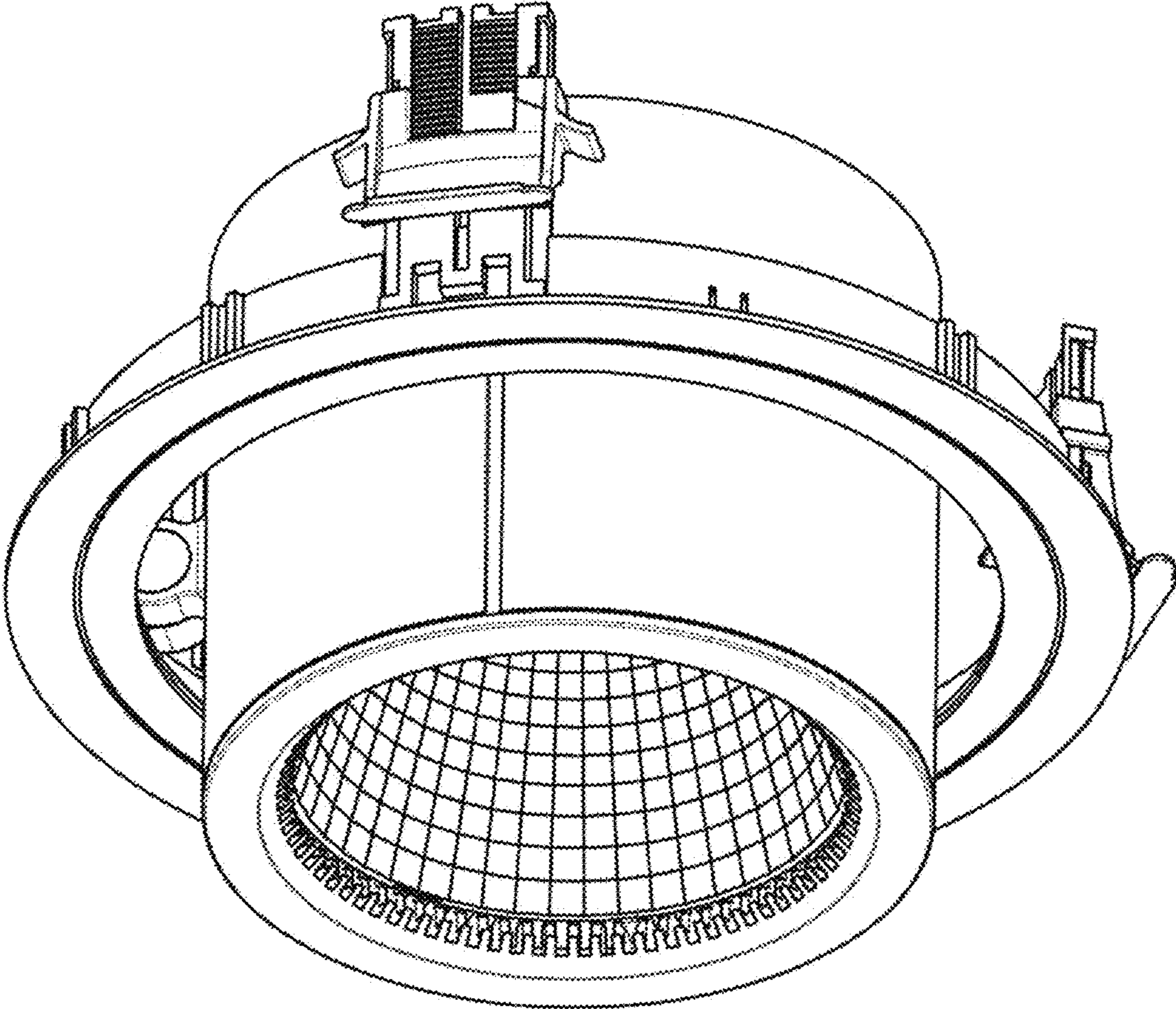


Fig. 1

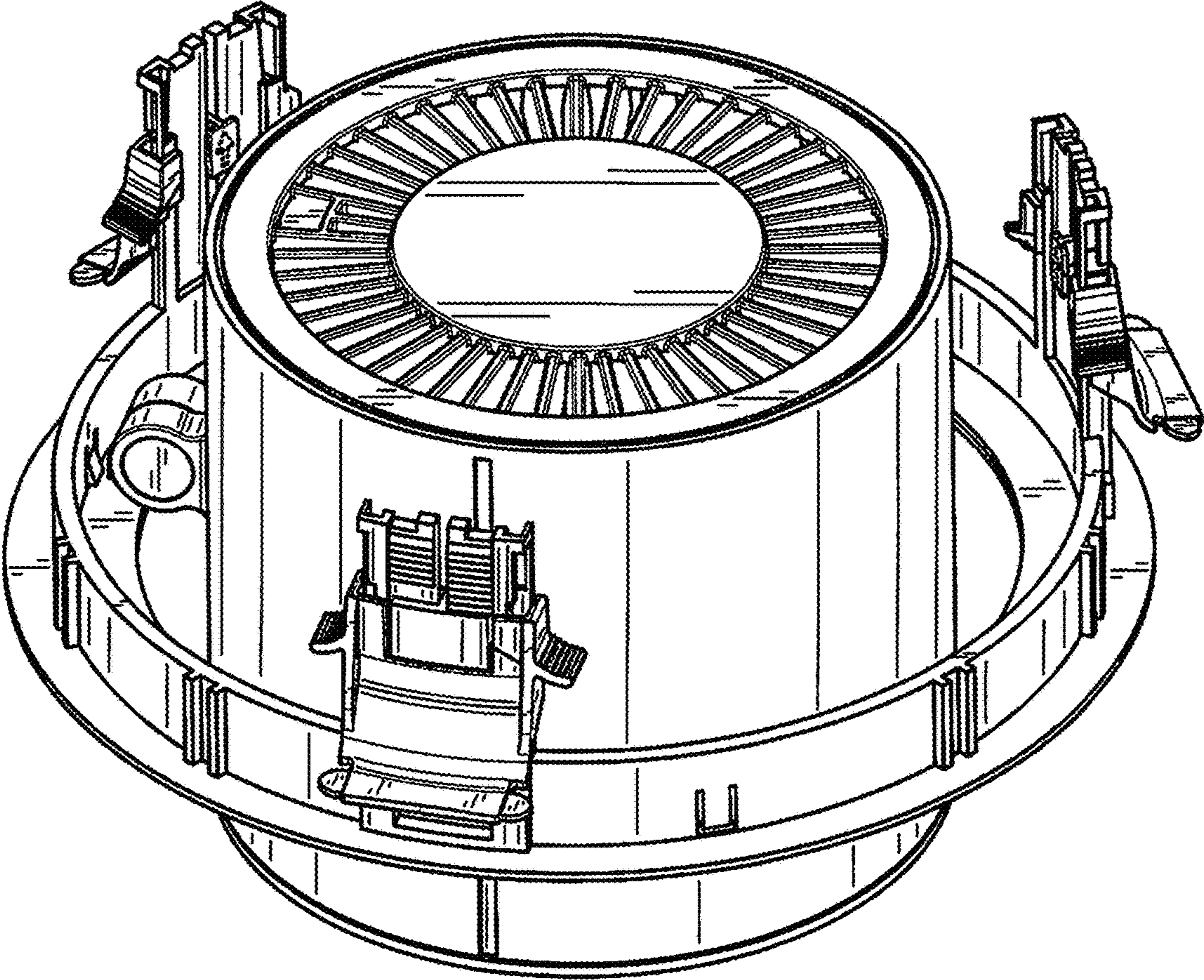


Fig. 2

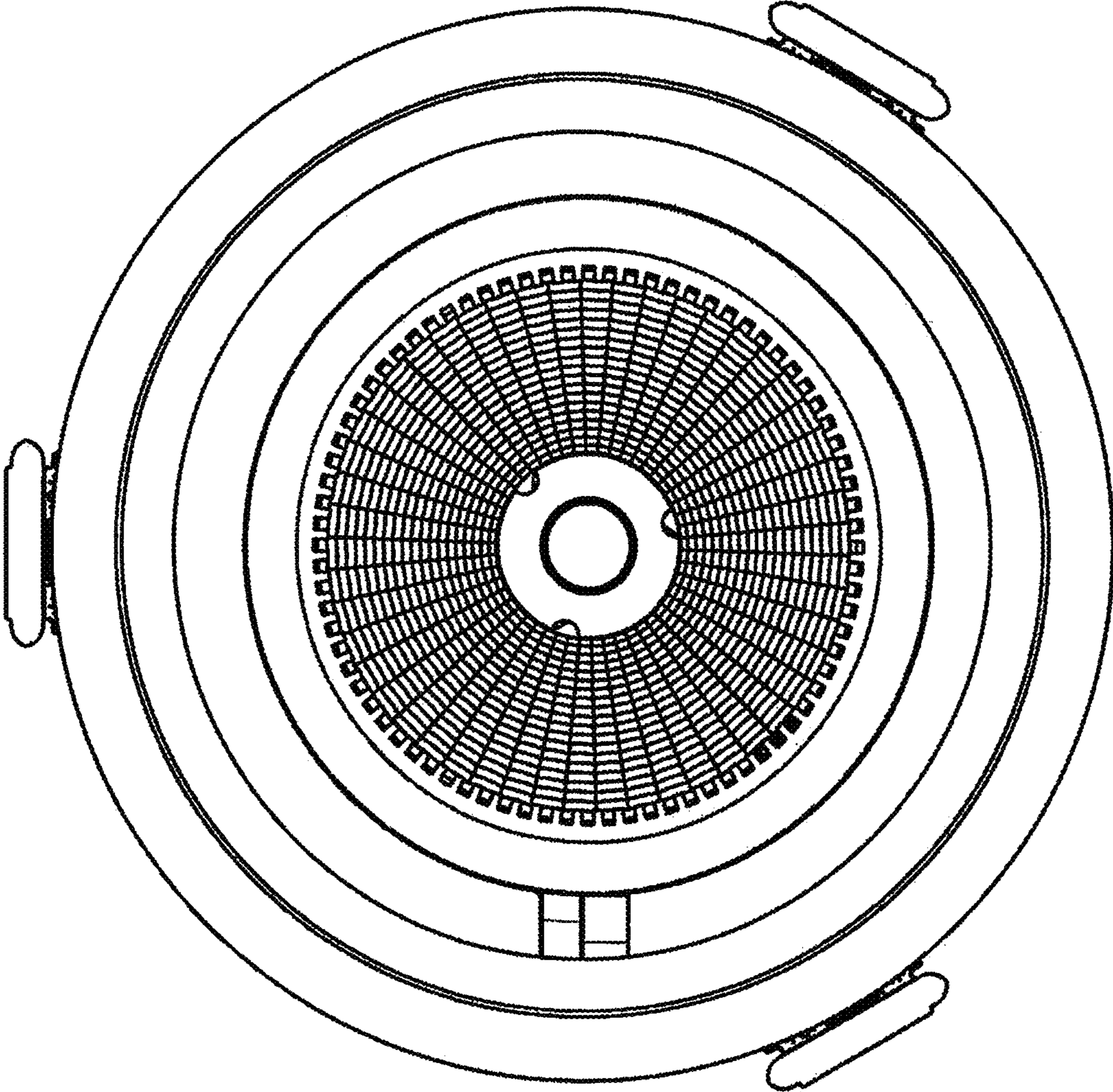


Fig. 3

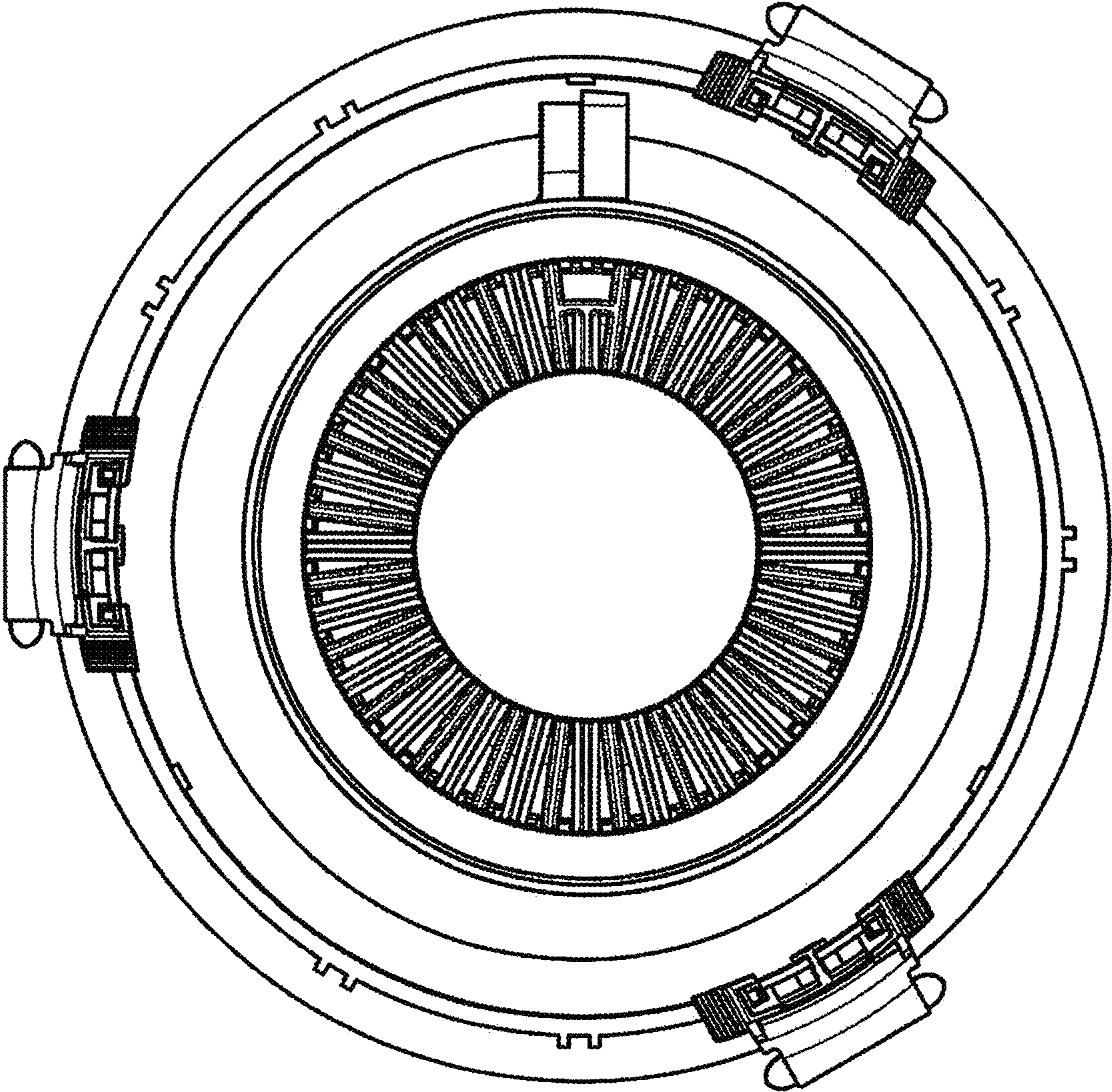


Fig. 4

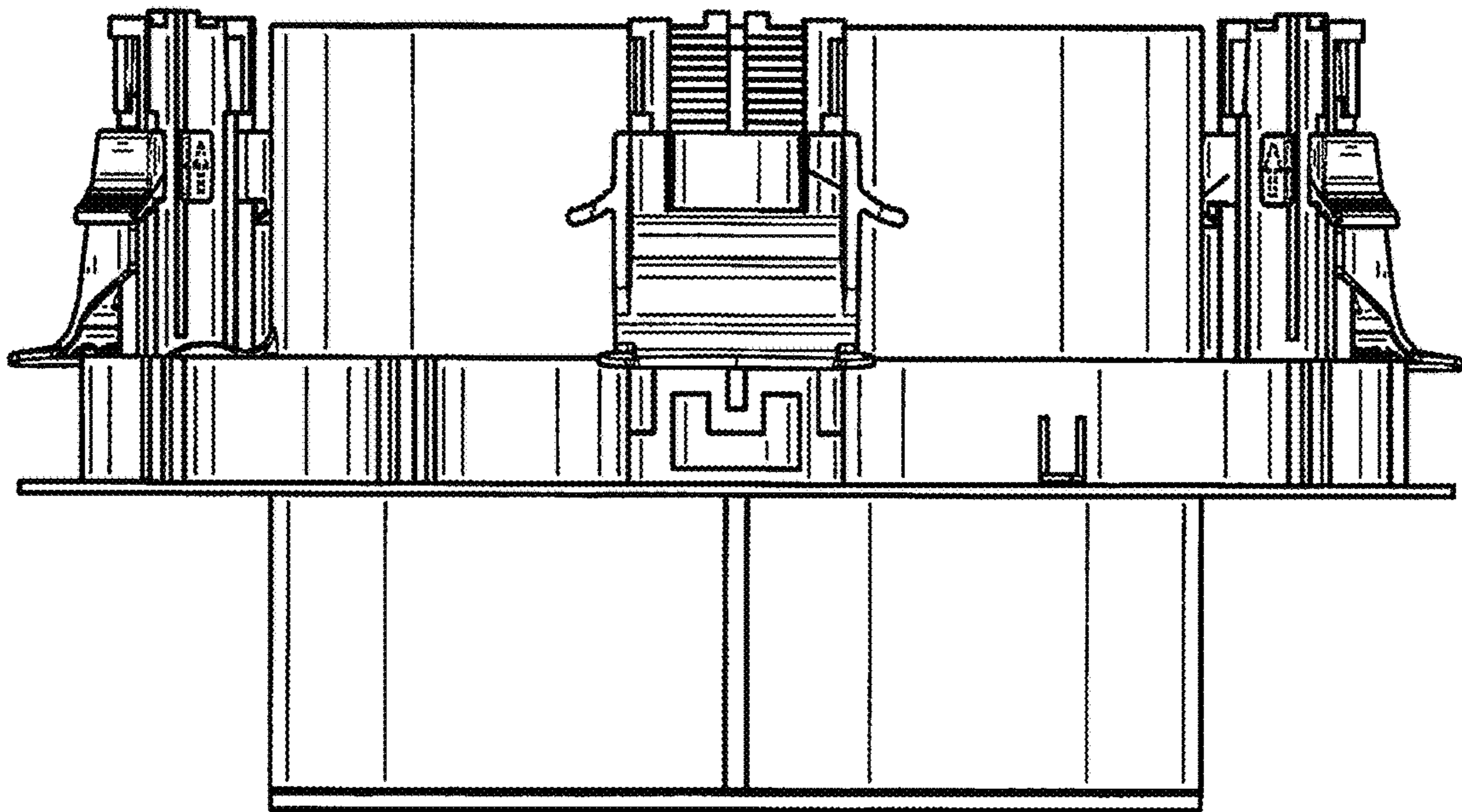


Fig. 5

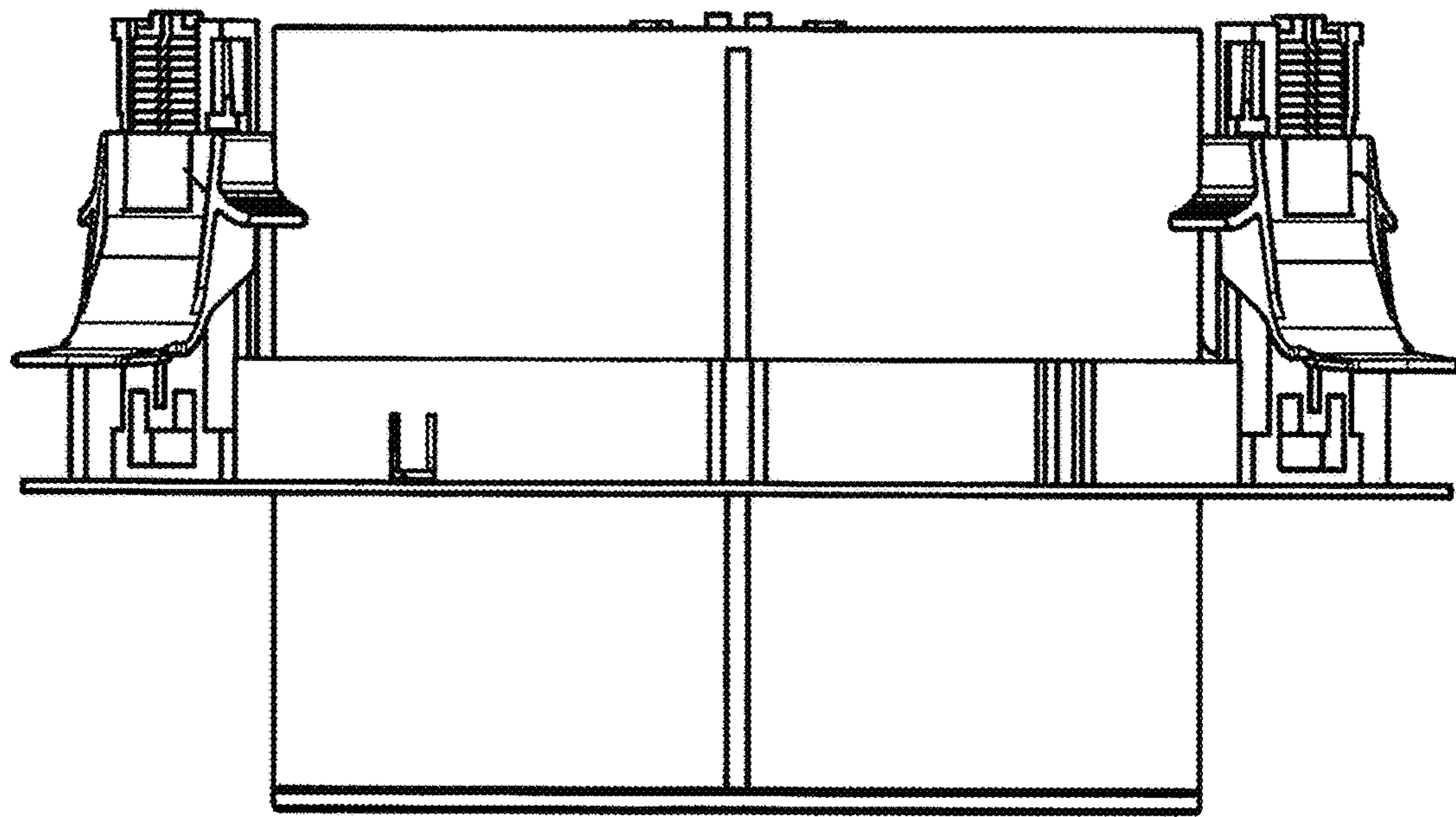


Fig. 6

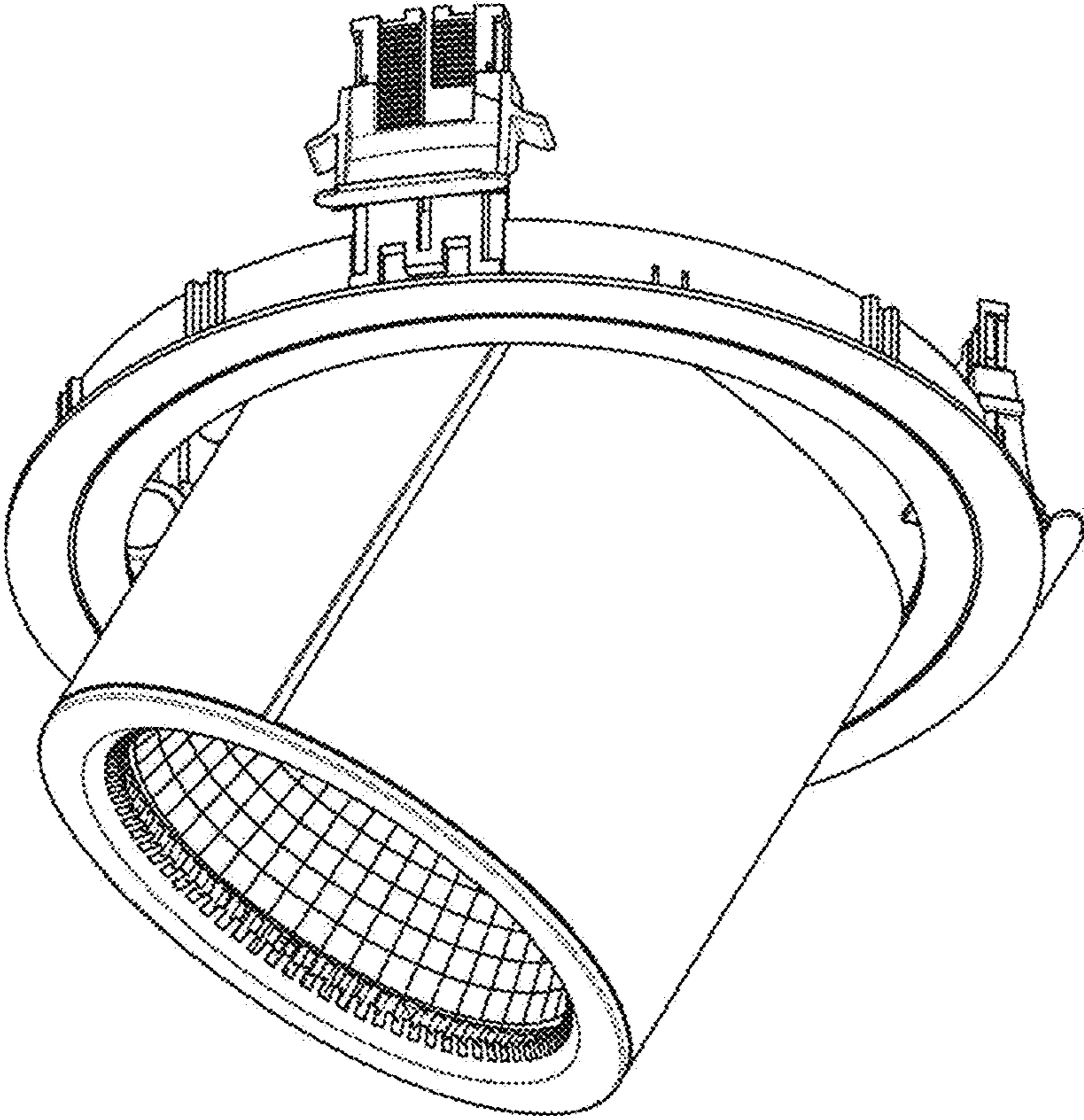


Fig. 7