



US00D786472S

(12) **United States Design Patent** (10) **Patent No.:** **US D786,472 S**
Redfern (45) **Date of Patent:** **** May 9, 2017**

(54) **LUMINAIRE**

(56) **References Cited**

(71) Applicant: **ZUMTOBEL LIGHTING GMBH,**
Lemgo (DE)

U.S. PATENT DOCUMENTS

(72) Inventor: **Christopher Redfern,**
Henley-on-Thames (GB)

D326,537 S *	5/1992	Gattari	D26/74
D326,729 S *	6/1992	Gattari	D26/74
D656,262 S *	3/2012	Yoshinobu	D26/74
D656,263 S *	3/2012	Ogawa	D26/74
D672,899 S *	12/2012	Van De Ven	D26/74
D691,761 S *	10/2013	Pratt	D26/74
D700,387 S *	2/2014	Snell	D26/74
D710,047 S *	7/2014	Hildebrandt	D26/74
D726,949 S *	4/2015	Redfern	D26/74
D739,590 S *	9/2015	Redfern	D26/74
D768,325 S *	10/2016	Xu	D26/74
D768,326 S *	10/2016	Guzzini	D26/74
D776,324 S *	1/2017	Gierl	D26/74

(73) Assignee: **ZUMTOBEL LIGHTING GMBH,**
Lemgo (DE)

(**) Term: **15 Years**

(21) Appl. No.: **29/547,667**

(22) Filed: **Dec. 7, 2015**

* cited by examiner

(30) **Foreign Application Priority Data**

Primary Examiner — Angela J Lee

Jun. 5, 2015 (EM) 002 713 701

(74) *Attorney, Agent, or Firm* — Scully Scott Murphy and Presser; Frank Digiglio

(51) **LOC (10) Cl.** **26-05**

(57) **CLAIM**

(52) **U.S. Cl.**
USPC **D26/74**

The ornamental design for a luminaire, as shown and described.

(58) **Field of Classification Search**

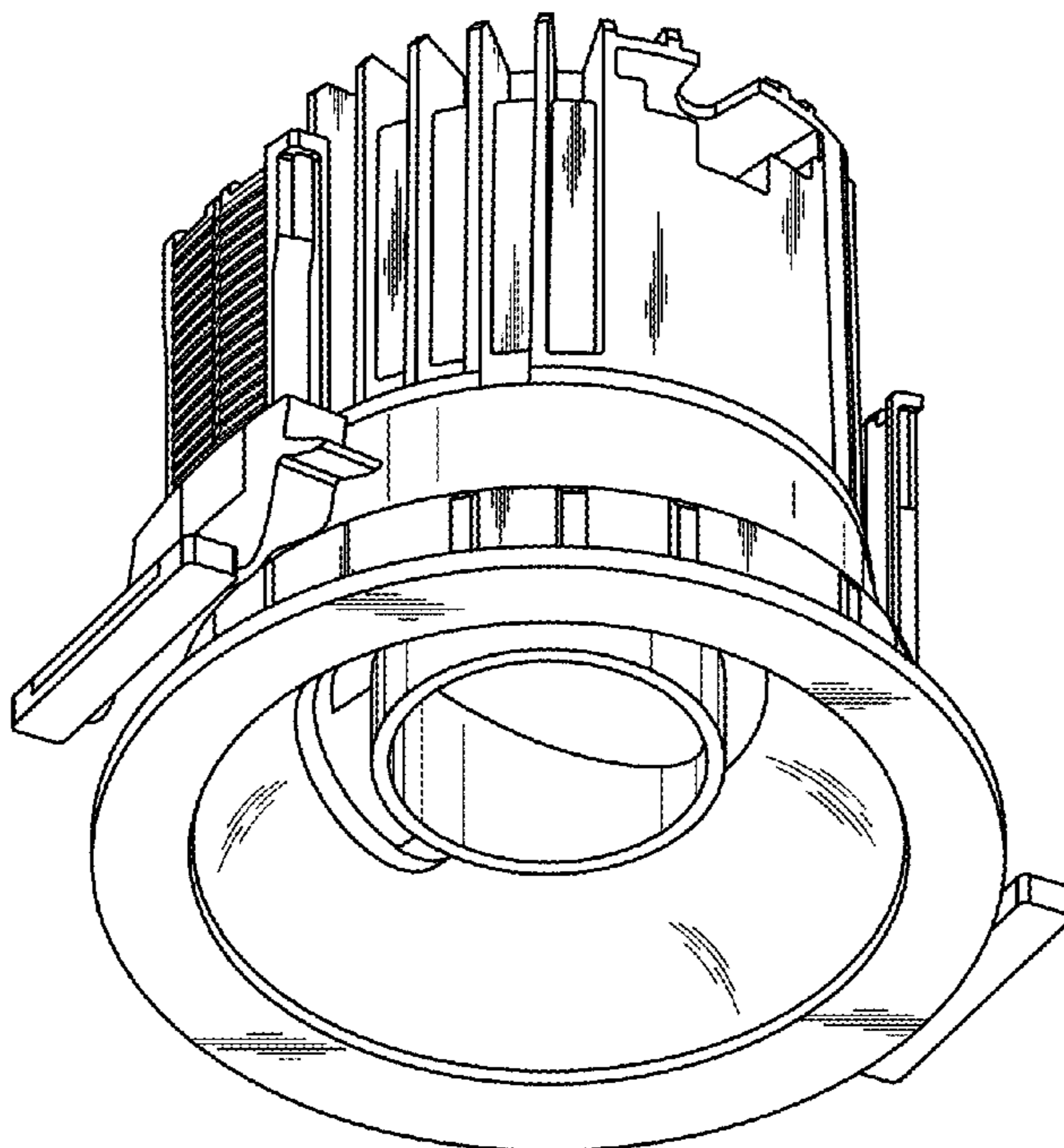
DESCRIPTION

USPC D26/74, 72, 75, 76, 77, 78, 85, 88, 89,
D26/118, 138, 141; 362/364, 365, 373,
362/145, 146, 147, 148, 150, 153, 153.1,
362/294, 296.01, 296.07, 296.08
CPC F21V 29/2262; F21V 7/06; F21V 21/044;
F21V 21/047; F21V 29/2212; F21V
29/2225; F21V 29/2256; F21V 29/225;
F21V 29/2268; F21Y 2111/002; F21S
8/02; F21S 8/026

FIG. 1 illustrates a perspective view of the luminaire, showing my new and ornamental design;
FIG. 2 illustrates a front view thereof;
FIG. 3 illustrates a back view thereof;
FIG. 4 illustrates a side view thereof;
FIG. 5 illustrates a side view thereof opposite to FIG. 4;
FIG. 6 illustrates a bottom thereof; and,
FIG. 7 illustrates a top view thereof.

See application file for complete search history.

1 Claim, 7 Drawing Sheets



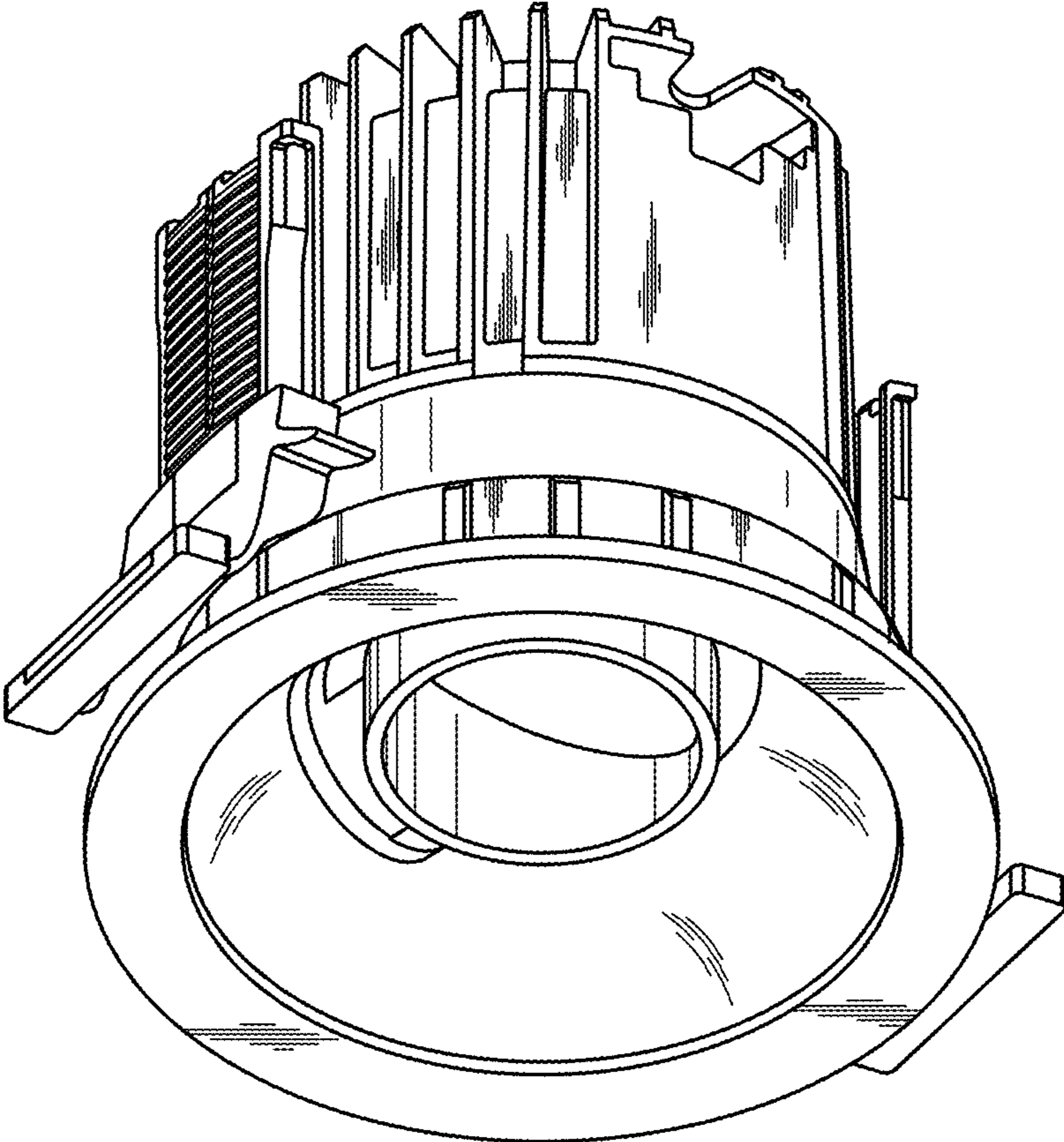


Fig. 1

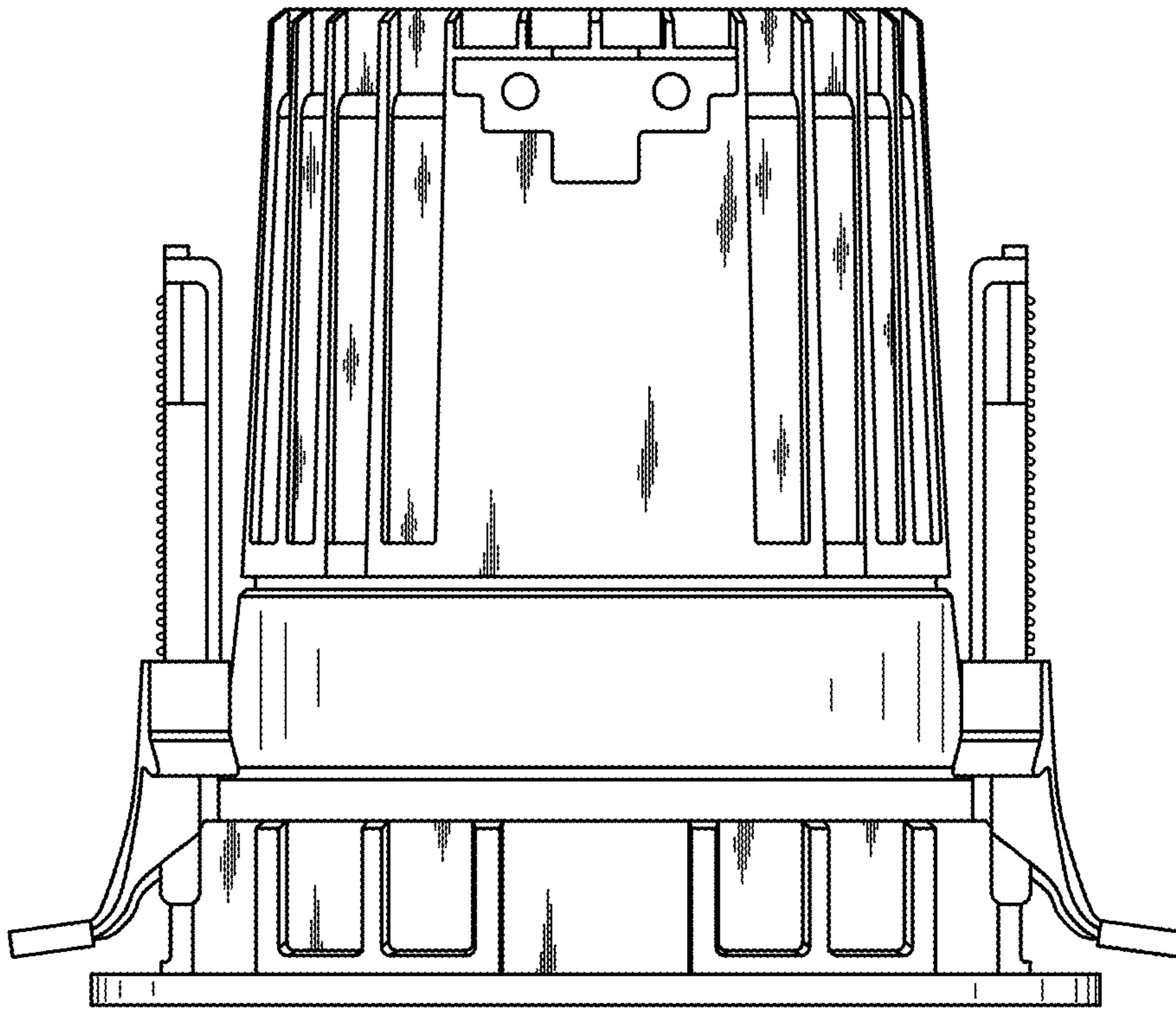


Fig. 2

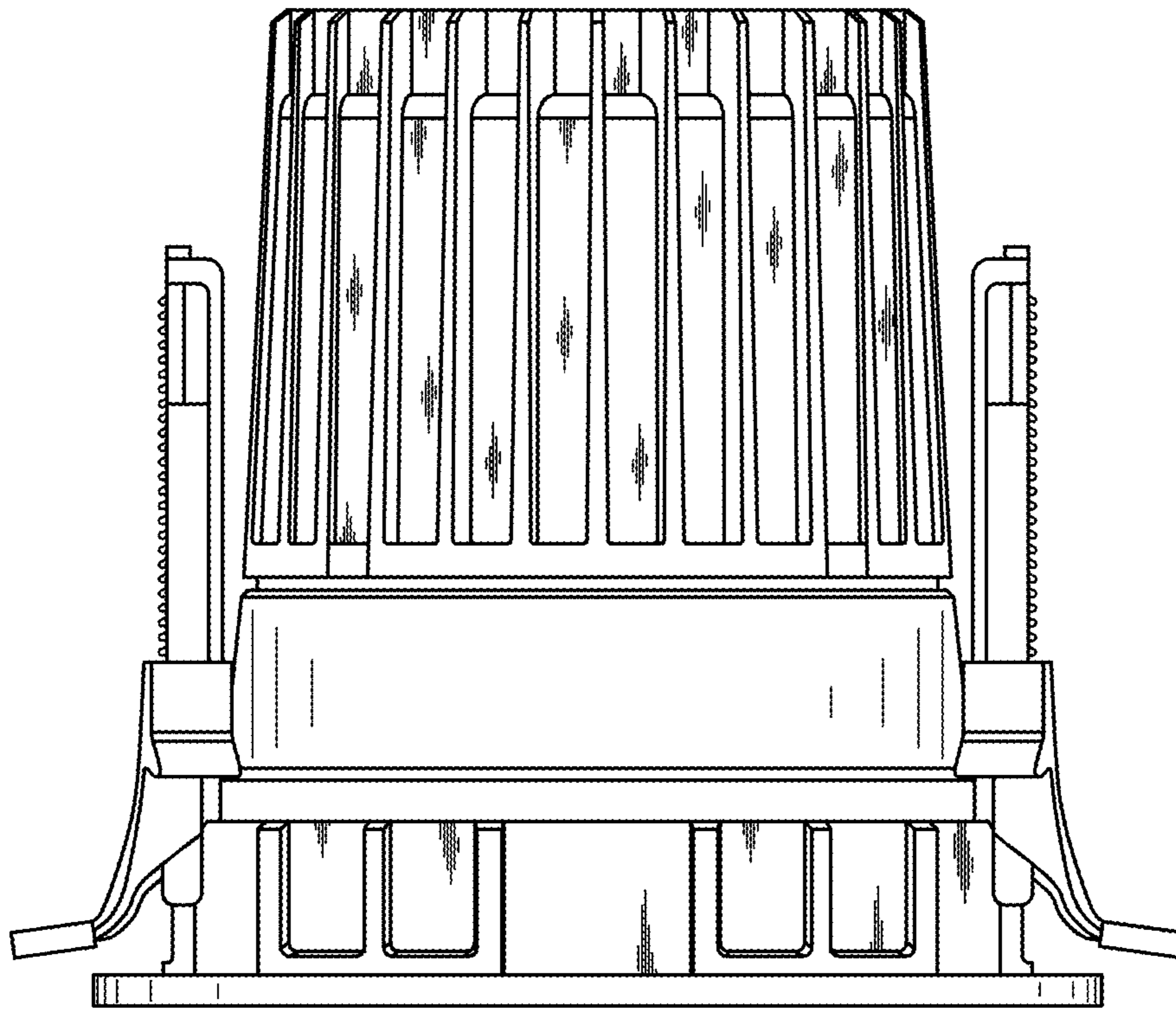


Fig. 3

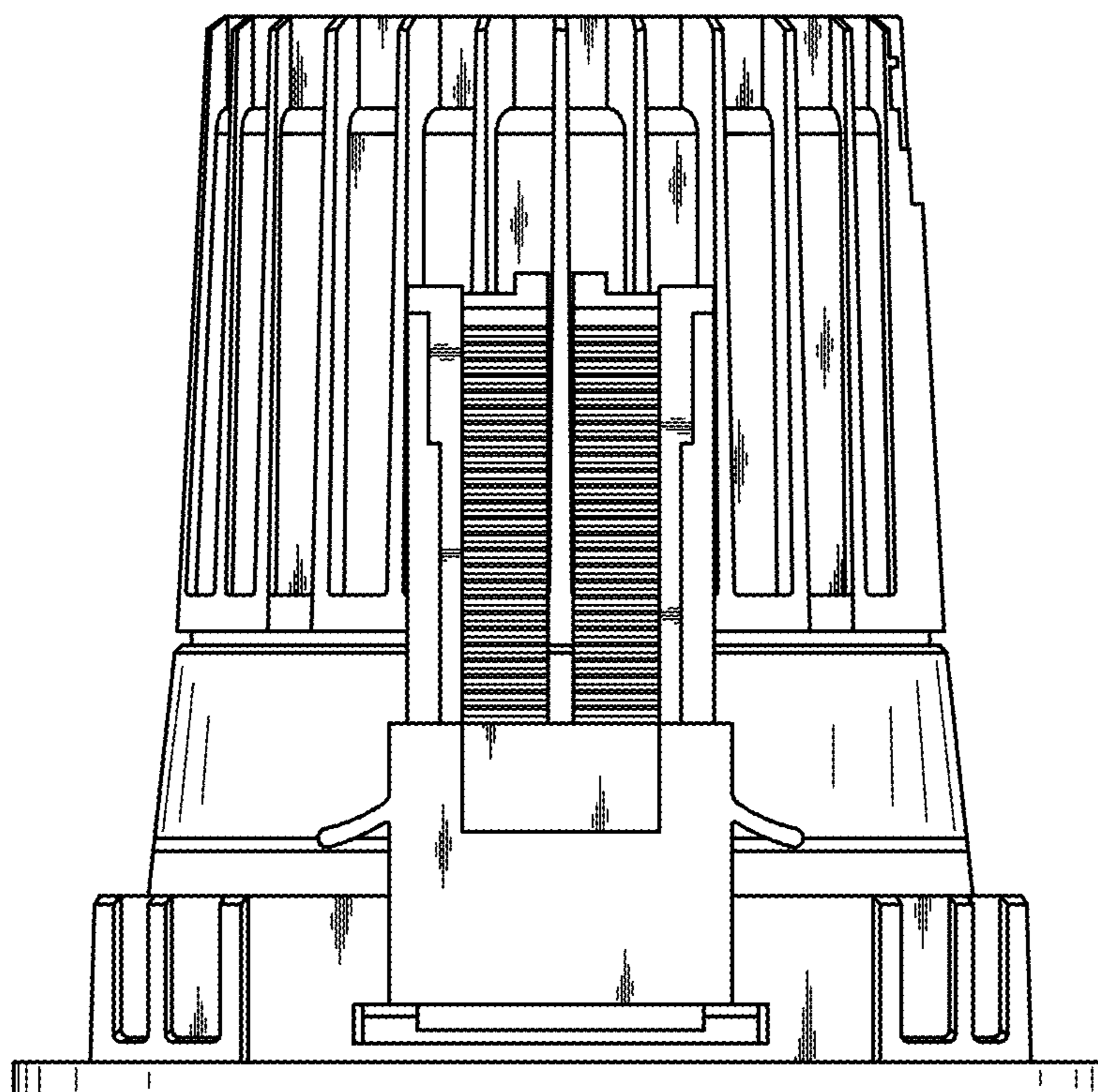


Fig. 4

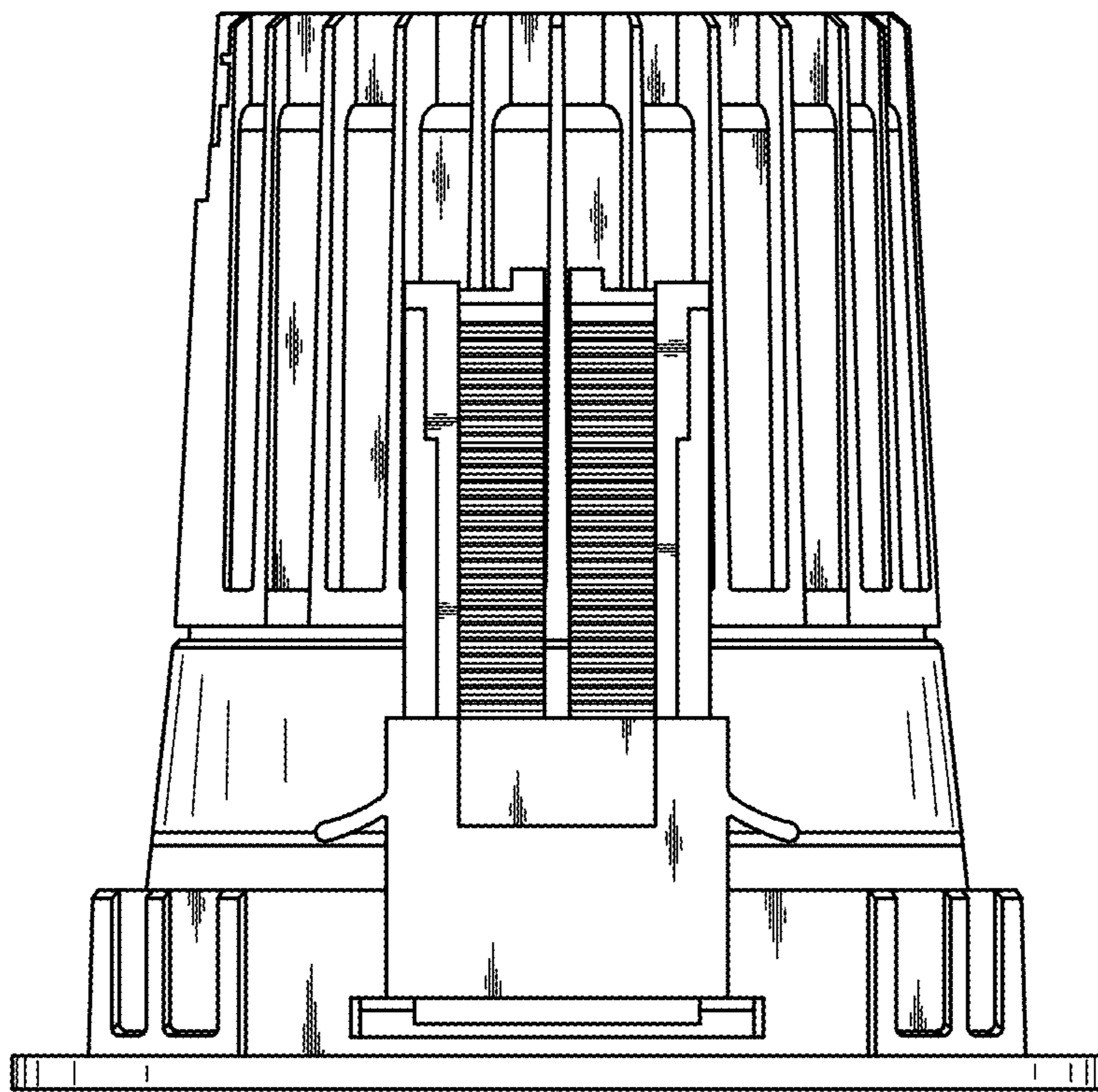


Fig. 5

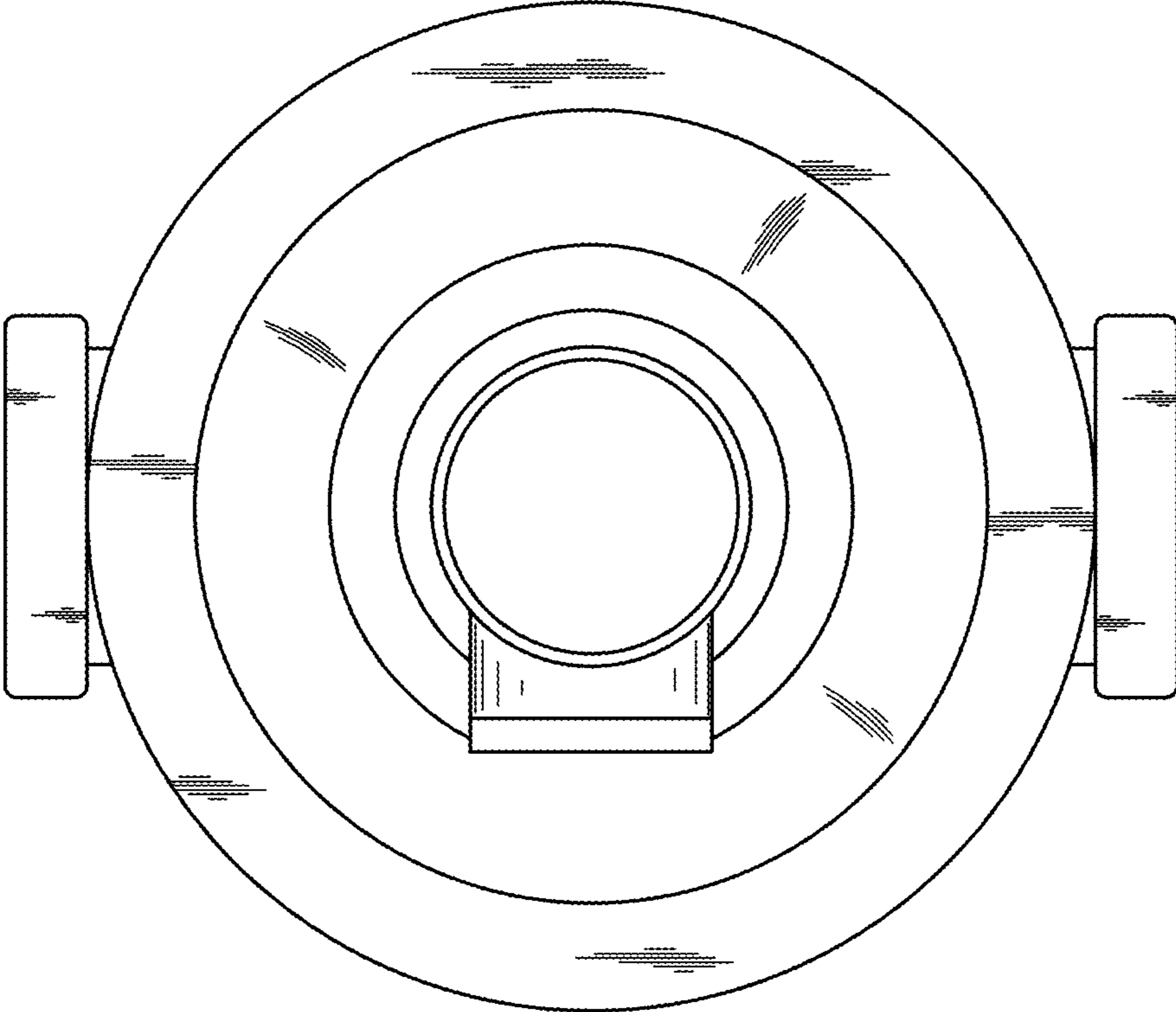


Fig. 6

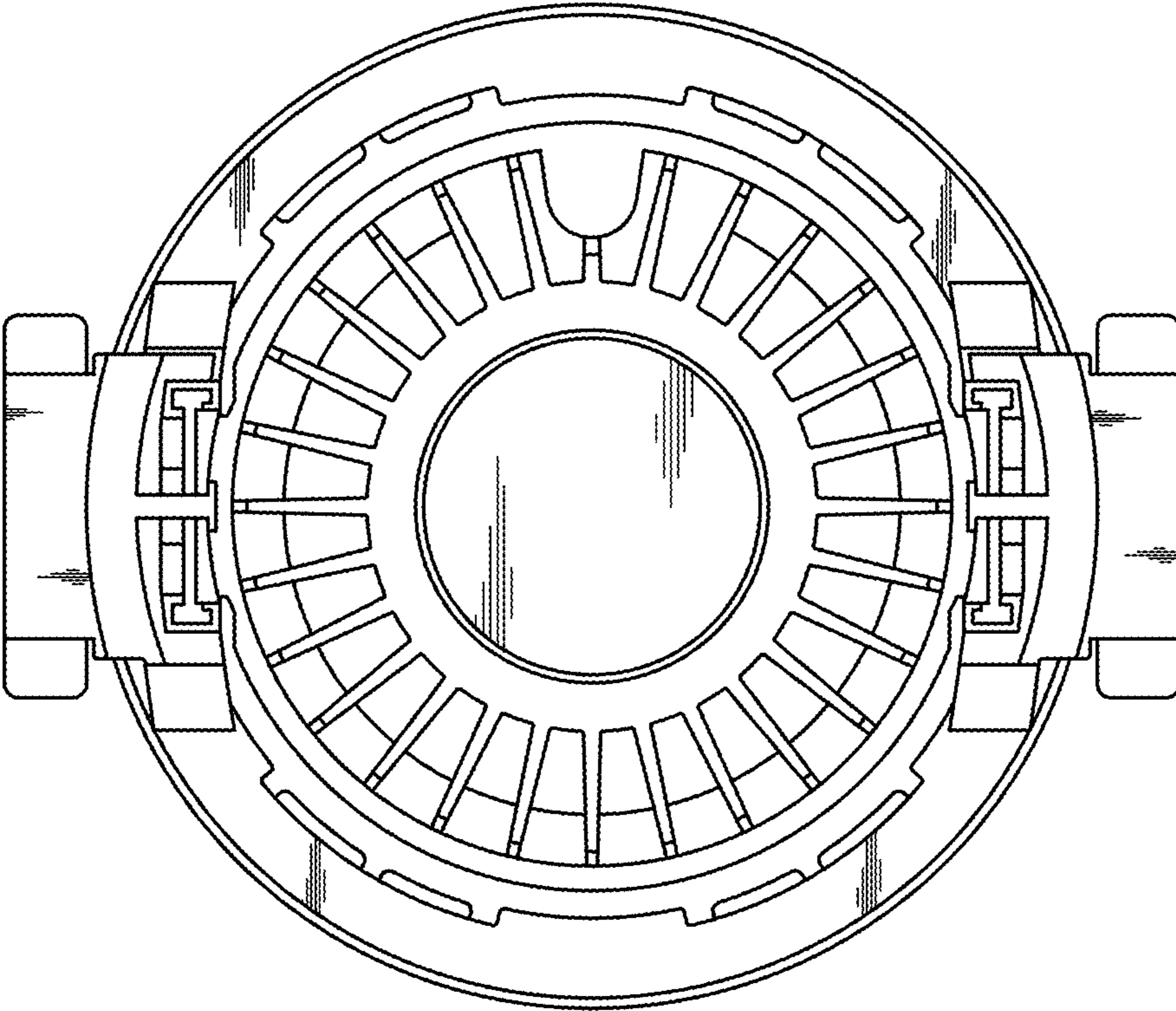


Fig. 7