



US00D786471S

(12) **United States Design Patent** (10) **Patent No.:** **US D786,471 S**
Snell et al. (45) **Date of Patent:** **** *May 9, 2017**

(54) **TROFFER-STYLE LIGHT FIXTURE**

(71) Applicant: **CREE, INC.**, Durham, NC (US)

(72) Inventors: **Nathan Snell**, Raleigh, NC (US); **Brian Kinnune**, Racine, WI (US)

(73) Assignee: **CREE, INC.**, Durham, NC (US)

(*) Notice: This patent is subject to a terminal disclaimer.

(**) Term: **14 Years**

(21) Appl. No.: **29/466,391**

(22) Filed: **Sep. 6, 2013**

(51) **LOC (10) Cl.** **26-05**

(52) **U.S. Cl.**
 USPC **D26/74**

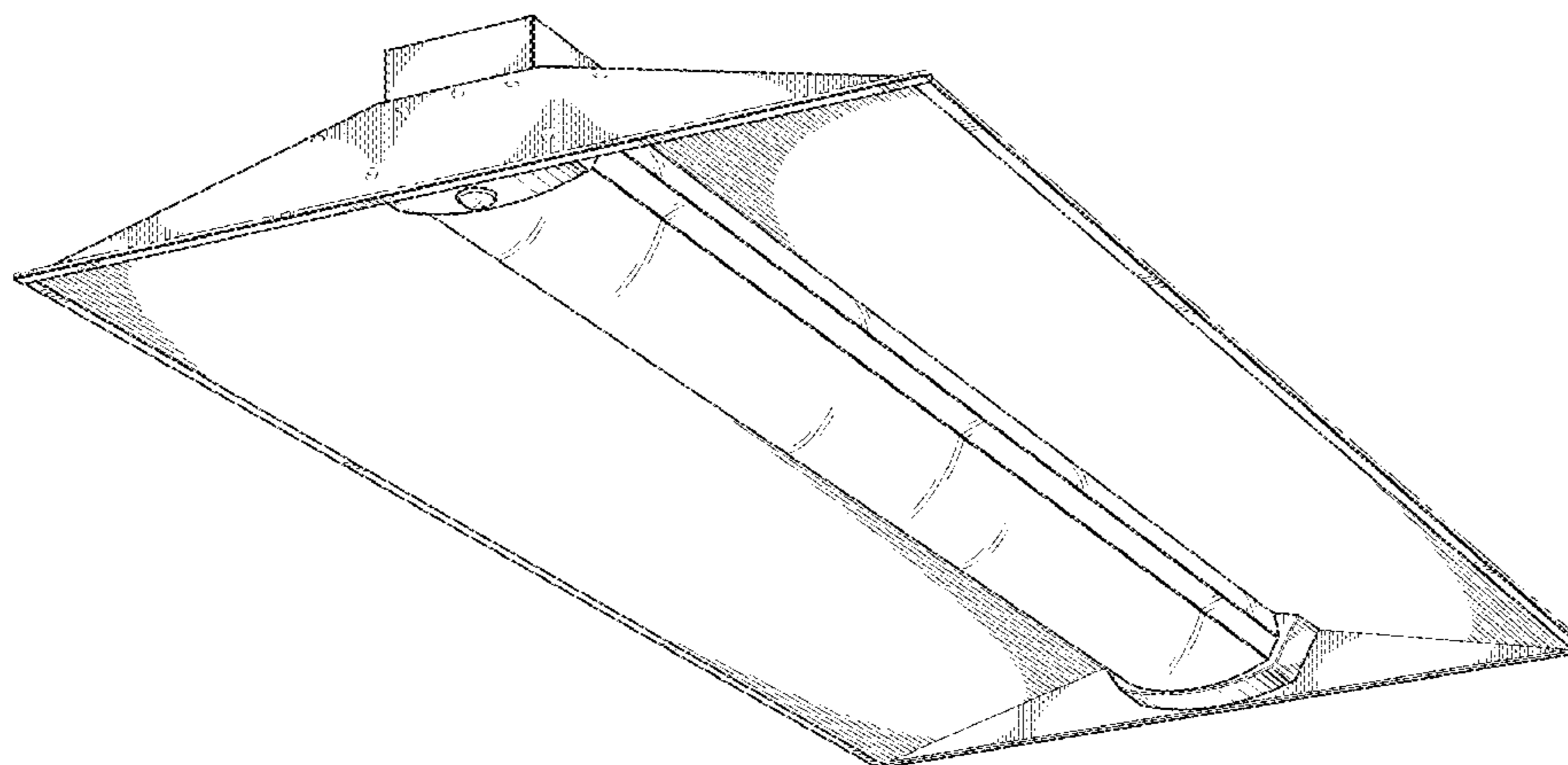
(58) **Field of Classification Search**
 USPC D26/74, 24, 72, 75, 76, 78, 79, 81, 82,
 D26/88, 89, 91, 113, 118, 119, 120, 138,
 D26/141, 142
 CPC F21V 21/04; F21V 21/041; F21V 7/005;
 F21Y 2111/002; F21S 8/026; F21S 8/02
 See application file for complete search history.

6,578,979	B2	6/2003	Truttmann-Battig	362/92
6,598,998	B2	7/2003	West	257/E33.073
D496,121	S *	9/2004	Santoro	D26/74
6,871,983	B2	3/2005	Jacob et al.	362/364
6,948,838	B2	9/2005	Kunstler	362/237
6,948,840	B2	9/2005	Grenda et al.	362/555
6,951,415	B2	10/2005	Amano	362/297
7,021,797	B2	4/2006	Minano et al.	362/355
7,049,761	B2	5/2006	Timmermans et al.	315/246
7,063,449	B2	6/2006	Ward	345/102
7,111,969	B2	9/2006	Bottesch	362/299
7,175,296	B2	2/2007	Cok	362/147
7,213,940	B1	5/2007	Van de Ven et al.	362/231
7,217,004	B2	5/2007	Park	362/240
7,237,924	B2	7/2007	Martineau et al.	362/231
D556,358	S	11/2007	Santoro	D26/74
7,338,182	B1	3/2008	Hastings et al.	362/150
7,341,358	B2	3/2008	Hsieh	362/97.1
7,510,299	B2	3/2009	Timmermans et al.	362/225
7,520,636	B2	4/2009	Van Der Poel	362/290
D593,246	S	5/2009	Fowler et al.	D26/76
7,559,672	B1	7/2009	Parkyn et al.	362/244
7,594,736	B1	9/2009	Kassay et al.	362/225
D604,446	S	11/2009	Fowler et al.	D26/76
7,618,157	B1	11/2009	Galvez et al.	362/294
7,618,160	B2	11/2009	Chinniah et al.	362/326
D608,932	S	1/2010	Castelli	D26/76
7,654,702	B1	2/2010	Ding et al.	362/294
7,661,844	B2	2/2010	Sekiguchi et al.	362/249.02
D611,183	S	3/2010	Duarte	D26/76
7,674,005	B2	3/2010	Chung et al.	362/223
7,686,470	B2	3/2010	Chiang	362/147
7,686,484	B2	3/2010	Heiking et al.	362/375
7,712,918	B2	5/2010	Siemiet et al.	362/241
7,722,220	B2	5/2010	Van de Ven	362/294
7,722,227	B2	5/2010	Zhang et al.	362/364
D617,487	S	6/2010	Fowler et al.	D26/76
7,768,192	B2	8/2010	Van de Ven et al.	313/503
7,815,338	B2	10/2010	Siemiet et al.	362/218
7,824,056	B2	11/2010	Madireddi et al.	362/125
7,828,468	B2	11/2010	Mayfield et al.	362/342
D633,247	S	2/2011	Kong et al.	D26/88
7,922,354	B2	4/2011	Everhart	362/235
7,926,982	B2	4/2011	Liu	362/294
7,988,321	B2	8/2011	Wung et al.	362/218
7,988,335	B2	8/2011	Liu et al.	362/294
7,991,257	B1	8/2011	Coleman	264/1.24
7,993,034	B2	8/2011	Wegner	362/296.05
7,997,762	B2	8/2011	Wang et al.	362/249
8,038,314	B2	10/2011	Ladewig	
8,038,321	B1	10/2011	Franck et al.	362/249.02
8,070,326	B2	12/2011	Lee	362/307
D653,376	S	1/2012	Kong et al.	D26/76

(56) **References Cited**

U.S. PATENT DOCUMENTS

D85,382	S	10/1931	Guth	D26/24
2,356,654	A	8/1944	Cullen	200/84 C
3,381,124	A	4/1968	Eisenberg	362/354
4,939,627	A	7/1990	Herst et al.	362/295
5,025,356	A	6/1991	Gawad	362/221
5,526,190	A	6/1996	Hubble, III	347/102
5,823,663	A	10/1998	Bell et al.	362/362
D407,473	S	3/1999	Wimbock	D23/328
6,149,283	A	11/2000	Conway et al.	362/236
6,155,699	A	12/2000	Miller et al.	362/293
6,210,025	B1	4/2001	Schmidt et al.	362/362
6,234,643	B1	5/2001	Lichon, Jr.	362/147
6,402,347	B1	6/2002	Maas et al.	362/294
6,443,598	B1	9/2002	Morgan	362/342
6,523,974	B2	2/2003	Engel	362/224



WO	WO 2009157999	12/2009
WO	WO 2009157999 A	12/2009
WO	WO 2009157999 A1	12/2009
WO	WO 2010024583	3/2010
WO	WO 2010024583 A2	3/2010
WO	WO 2010042216	4/2010
WO	WO 2010042216 A2	4/2010
WO	WO 2011074424 A1	6/2011
WO	WO 2011096098 A1	8/2011
WO	WO 2011098191	8/2011
WO	WO 2011118991 A2	9/2011
WO	WO 2011140353 A2	11/2011
WO	WO 03102467	12/2013

OTHER PUBLICATIONS

International Preliminary Report on Patentability from PCT/US2012/071800 dated Jul. 10, 2014.

Office Action from U.S. Appl. No. 13/189,535, dated Jun. 20, 2014.

Office Action from U.S. Appl. No. 13/453,924, dated Jun. 25, 2014.

Office Action from U.S. Appl. No. 13/443,630, dated Jul. 1, 2014.

Office Action from U.S. Appl. No. 13/464,745, dated Jul. 16, 2014.

International Preliminary Report on Patentability and Written Opinion from PCT/US2013/021053, dated Aug. 21, 2014.

U.S. Appl. No. 12/074,762, filed Mar. 2008, Jacobson, et al.

U.S. Appl. No. 13/442,311, filed Apr. 2012, Lu, et al.

U.S. Appl. No. 13/763,270, filed Feb. 2010, Heeter, et al.

Citadel(tm) SLP Lighting (<http://www.splighting.com/enclosures.html>).

Final Rejection issued in Korean Design Appl. No. 30-2011-0038114, dated Jun. 14, 2013.

Final Rejection issued in Korean Design Appl. No. 30-2011-0038115, dated Jun. 14, 2013.

Final Rejection issued in Korean Design Appl. No. 30-2011-0038116, dated Jun. 17, 2013.

International Search Report and Written Opinion from PCT Patent Appl. No. PCT/US2013/035668, dated Jul. 12, 2013.

International Search Report and Written Opinion from PCT Application No. PCT/US2013/021053, dated Apr. 17, 2013.

Notice to Submit a Response from Korean Patent Application No. 30-2011-0038115, dated Dec. 12, 2012.

Notice to Submit a Response from Korean Patent Application No. 30-2011-0038116, dated Dec. 12, 2012.

International Search Report and Written Opinion for PCT Application No. PCT/US2011/062396, dated Jul. 13, 2012.

International Search Report and Written Opinion for Patent Application No. PCT/US2011/001517, dated: Feb. 27, 2012.

U.S. Appl. No. 12/418,796, filed Apr. 6, 2009.

U.S. Appl. No. 13/429,080, filed Mar. 23, 2012.

U.S. Appl. No. 13/028,946, filed Feb. 16, 2011.

U.S. Appl. No. 13/306,589, filed Nov. 29, 2011.

U.S. Appl. No. 12/873,303, filed Aug. 31, 2010 to Edmond, et al.

U.S. Appl. No. 12/961,385, filed Dec. 6, 2010 to Pickard, et al.

Cree's XLamp XP-E LED's, data sheet, pp. 1-17.

Cree's XLamp XP-G LED's, data sheet, pp. 1-12.

Office Action from Japanese Design Patent Application No. 2011-18570.

Reason for Rejection from Japanese Design Patent Application No. 2011-18571.

Reason for Rejection from Japanese Design Patent Application No. 2011-18572.

Search Report and Written Opinion from PCT Patent Appl. No. PCT/US2012/047084, dated Feb. 27, 2013.

Search Report and Written Opinion from PCT Patent Appl. No. PCT/US2012/071800, dated Mar. 25, 2013.

U.S. Appl. No. 13/649,052, filed Oct. 10, 2012, Lowes, et al.

U.S. Appl. No. 13/649,067, filed Oct. 10, 2012, Lowes, et al.

U.S. Appl. No. 13/207,204, filed Aug. 10, 2011, Athalye, et al.

U.S. Appl. No. 13/365,844.

U.S. Appl. No. 13/662,618, filed Oct. 29, 2012, Athalye, et al.

U.S. Appl. No. 13/462,388, filed May 2, 2012.

U.S. Appl. No. 13/842,150, filed Mar. 15, 2013, Dixon, et al.

U.S. Appl. No. 13/770,389, filed Feb. 19, 2013, Lowes, et al.

U.S. Appl. No. 13/782,820, filed Mar. 1, 2013, Dixon, et al.

XLamp®C family from Cree®, Inc., Product Family Data Sheet, 15 pages.

XLamp®M family from Cree®, Inc., Product Family Data Sheet, 14 pages.

XLamp®X family from Cree®, Inc., Product Family Data Sheet, 17 pages.

Energy Star® Program Requirements for Solid State Lighting Luminaires, Eligibility Criteria—Version 1.1. final: Dec. 19, 2008.

Assist Recommends . . . LED Life for General Lighting: Definition of Life. vol. 1, Issue 1, Feb. 2005.

“IES Approved Method for Measuring Lumen Maintenance of LED light Sources”, Sep. 22, 2008, ISBN No. 978-0-87995-227-3, (LM-80).

International Search Report and Written Opinion from Appl. No. PCT/CN2013/072772, dated Dec. 19, 2013.

First Official Action from European Patent Appl. No. 12 743 003.1-1757. dated Jan. 16, 2015.

Office Action from U.S. Appl. No. 13/464,745, dated Feb. 12, 2014.

Office Action from U.S. Appl. No. 13/453,924, dated Feb. 19, 2014.

Office Action from U.S. Appl. No. 13/341,741, dated Jan. 14, 2014.

Office Action from U.S. Appl. No. 13/370,252, dated Dec. 20, 2013.

Office Action from U.S. Appl. No. 29/387,171, dated May 2, 2012.

Response to OA from U.S. Appl. No. 29/387,171, filed Aug. 2, 2012.

Office Action from U.S. Appl. No. 12/961,385, dated Apr. 26, 2013.

Response to OA from U.S. Appl. No. 12/961,385, filed Jul. 24, 2013.

Office Action from U.S. Appl. No. 13/464,745, dated Jul. 16, 2013.

Office Action from U.S. Appl. No. 29/368,970, dated Jun. 19, 2012.

Office Action from U.S. Appl. No. 29/368,970, dated Aug. 24, 2012.

Response to Oa from U.S. Appl. No. 29/368,970, filed Nov. 26, 2012.

Office Action from U.S. Appl. No. 12/961,385, dated Nov. 6, 2013.

Preliminary Report and Written Opinion from PCT appl. No. PCT/US2012/047084, dated Feb. 6, 2014.

Office Action from U.S. Appl. No. 13/787,727, dated Jan. 29, 2015.

Office Action from U.S. Appl. No. 13/429,080, dated Feb. 18, 2015.

Office Action from U.S. Appl. No. 13/453,924, dated Mar. 10, 2015.

Reasons for Rejection from Japanese Patent Appl. No. 2013-543207, dated May 20, 2014.

First Office Action from Chinese Patent Appl. No. 2011800529984, dated May 4, 2014.

Office Action from U.S. Appl. No. 13/544,662, dated May 5, 2014.

Office Action from U.S. Appl. No. 13/844,431, dated May 15, 2014.

Office Action from U.S. Appl. No. 13/341,741, dated Jun. 6, 2014.

Communication from European Patent Appl. No. 13701525.1-1757, dated Sep. 26, 2014.

International Search Report and Written Opinion from PCT/US2013/049225, dated Oct. 24, 2013.

Notice of Completion of Pretrial Re-examination from Japanese Patent appl. No. 2013-543207, dated Jun. 30, 2015.

Pretrial Report from Japanese Appl. No. 2013-543207, dated Jun. 19, 2015.

Decision of Rejection from Chinese Patent Appl. No. 201180052998.4. dated Jul. 16, 2015.

Office Action from U.S. Appl. No. 12/873,303, dated Jun. 22, 2015.

Response to OA from U.S. Appl. No. 12/873,303, filed Aug. 21, 2015.

Office Action from U.S. Appl. No. 13/341,741, dated Jun. 22, 2015.

Office Action from U.S. Appl. No. 13/443,630, dated Jun. 23, 2015.

Response to OA from U.S. Appl. No. 13/443,630, filed Aug. 21, 2015.

Office Action from U.S. Appl. No. 13/189,535, dated Jul. 14, 2015.

Office Action from U.S. Appl. No. 13/453,924, dated Jul. 21, 2015.

Office Action from U.S. Appl. No. 13/442,746, dated Jul. 27, 2015.

Office Action from U.S. Appl. No. 14/020,757, dated Aug. 3, 2015.

First Office Action from Chinese Patent Appl. No. 2012800369142, dated Mar. 26, 2015.

Office Action from U.S. Appl. No. 13/464,745, dated Apr. 2, 2015.

Office Action from U.S. Appl. No. 13/442,746, dated Apr. 28, 2015.

Office Action from U.S. Appl. No. 13/368,217, dated May 13, 2015.

Office Action from U.S. Appl. No. 13/828,348, dated May 27, 2015.

Office Action from U.S. Appl. No. 13/429,080, dated Apr. 18, 2014.
 Office Action from U.S. Appl. No. 12/961,385, dated Mar. 11, 2014.
 Office Action from U.S. Appl. No. 13/442,746, dated Sep. 15, 2014.
 Office Action from U.S. Appl. No. 13/429,080, dated Sep. 16, 2014.
 Office Action from U.S. Appl. No. 13/844,431, dated Oct. 10, 2014.
 Office Action from U.S. Appl. No. 13/443,630, dated Oct. 10, 2014.
 Office Action from U.S. Appl. No. 13/368,217, dated Oct. 22, 2014.
 Office Action from U.S. Appl. No. 12/961,385, dated Nov. 6, 2014.
 Office Action from U.S. Appl. No. 13/453,924, dated Nov. 7, 2014.
 Decision of Rejection from Japanese Appl. No. 2013-543207, dated Nov. 25, 2014.
 Office Action from Mexican Appl. No. 100881, dated Nov. 28, 2014.
 Grant Notice from European Appl. No. 13701525.1-1757, dated Nov. 24, 2014.
 Preliminary Report on Patentability from PCT/US2013/035668, dated Oct. 14, 2014.
 Second Office Action and Search Report from Chinese Appl. No. 2011800529984, dated Dec. 26, 2014.
 Grant Notice from European Appl. No. 13701525.1, dated Nov 19, 2014.
 International Report and Written Opinion from PCT/US2013/049225, dated Jan. 22, 2015.
 Office Action from U.S. Appl. No. 13/828,348, dated Nov. 20, 2014.
 Office Action from U.S. Appl. No. 12/873,303, dated Nov. 28, 2014.
 Office Action from U.S. Appl. No. 13/464,745, dated Dec. 10, 2014.
 Office Action from U.S. Appl. No. 13/341,741, dated Dec. 24, 2014.
 Office Action from U.S. Appl. No. 13/189,535, dated Jan. 13, 2015.
 Office Action from U.S. Appl. No. 12/961,385, dated Nov. 27, 2015.
 Office Action from U.S. Appl. No. 13/828,348, dated Nov. 4, 2015.
 Office Action from U.S. Appl. No. 14/020,757, dated Nov. 24, 2014.
 First Office Action from Chinese Patent Appl No. 2011800588770, dated Sep. 25, 2015.
 Examination Report from Taiwanese Patent Appl. No. 100131021, dated Jan. 5, 2016.
 Examination from European Patent Appl. No. 12743003.1-1757, dated Jan. 8, 2016.
 Notice of Reasons for Rejection from Japanese Patent Appl. No. 2013-543207, dated Feb. 2, 2016.
 Examination from European Patent Appl. No. 13 701 525.1-1757, dated Feb. 3, 2016.
 Office Action from U.S. Appl. No. 13/189,535; Jan. 6, 2016.
 Office Action from U.S. Appl. No. 13/341,741; Jan. 8, 2016.
 Office Action from U.S. Appl. No. 13/873,303; Feb. 2, 2016.
 Office Action from U.S. Appl. No. 13/429,080, dated Apr. 1, 2015.
 Office Action from U.S. Appl. No. 14/716,480, dated Sep. 24, 2015.
 Office Action from U.S. Appl. No. 19/170,627, dated Oct. 5, 2015.
 Office Action from U.S. Appl. No. 13/368,217, dated Oct. 8, 2015.
 Office Action from U.S. Appl. No. 13/464,745, dated Oct. 8, 2015.
 Office Action for U.S. Appl. No. 13/828,348; Dated Jun. 2, 2016.
 Notice of Reason for Rejection for Japanese Appl. No. 2013-543207; Dated May 24, 2016.
 Office Action for U.S. Appl. No. 14/020,757; Dated Jul. 19, 2016.
 Examination Report from Taiwan Application No. 100131021; Dated Jul. 21, 2016.
 Office Action for U.S. Appl. No. 14/716,480; Dated Aug. 26, 2016.
 European Summons for Oral Proceedings for Application No. 12743003.1; Dated Sep. 2, 2016.
 Office Action for U.S. Appl. No. 13/464,745; Dated Sep. 7, 2016.
 Office Action from U.S. Appl. No. 13/464,745; Mar. 1, 2016.
 Office Action from U.S. Appl. No. 14/716,480; Mar. 3, 2016.
 Office Action from U.S. Appl. No. 13/368,217; Mar. 4, 2016.
 Office Action from U.S. Appl. No. 13/189,535; Mar. 18, 2016.
 Office Action from U.S. Appl. No. 14/020,757; Apr. 7, 2016.
 Second Office Action for Application No. 2011800508770; Dated Mar. 29, 2016.
 Notification of Reexamination for Chinese Application No. 2011800529984; Dated Oct. 10, 2016.
 Office Action for U.S. Appl. No. 13/828,348; Dated Oct. 17, 2016.
 Office Action for European Application No. 11754767.9; Dated Oct. 31, 2016.
 Office Action for U.S. Appl. No. 12/873,303; Dated Nov. 25, 2016.

Notice of Allowance for Taiwan Application No. 100131021; Dated Nov. 28, 2016.

Office Action for U.S. Appl. No. 13/368,217; Dated Jan. 3, 2017.

* cited by examiner

Primary Examiner — Angela J Lee

(74) *Attorney, Agent, or Firm* — Koppel, Patrick, Heybl & Philpott

(57)

CLAIM

The ornamental design for a troffer-style light fixture, as shown and described herein.

DESCRIPTION

FIG. 1 is a perspective view of a light fixture according to an embodiment of the present invention.

FIG. 2 is a left side elevation view of a light fixture according to an embodiment of the present invention, with the right side being a mirror image.

FIG. 3 is a front end elevation view of a light fixture according to an embodiment of the present invention, with the back end elevation view being identical.

FIG. 4 is a bottom plan view of a light fixture according to an embodiment of the present invention.

FIG. 5 is a top plan view of a light fixture according to an embodiment of the present invention.

FIG. 6 is a close-up left side elevation view of a portion of a light fixture according to an embodiment of the present invention.

FIG. 7 is a cross-sectional view along cut line 7-7 of a light fixture according to an embodiment of the present invention.

FIG. 8 is a perspective view of a light fixture according to an embodiment of the present invention.

FIG. 9 is a left side elevation view of a light fixture according to an embodiment of the present invention, with the right side being a mirror image.

FIG. 10 is a front end elevation view of a light fixture according to an embodiment of the present invention, with the back end elevation view being identical.

FIG. 11 is a bottom plan view of a light fixture according to an embodiment of the present invention.

FIG. 12 is a top plan view of a light fixture according to an embodiment of the present invention.

FIG. 13 is a close-up left side elevation view of a portion of a light fixture according to an embodiment of the present invention.

FIG. 14 is a cross-sectional view along cut line 14-14 of a light fixture according to an embodiment of the present invention.

FIG. 15 is a perspective view of a light fixture according to an embodiment of the present invention.

FIG. 16 is a left side elevation view of a light fixture according to an embodiment of the present invention, with the right side being a mirror image.

FIG. 17 is a front end elevation view of a light fixture according to an embodiment of the present invention, with the back end elevation view being identical.

FIG. 18 is a bottom plan view of a light fixture according to an embodiment of the present invention.

FIG. 19 is a top plan view of a light fixture according to an embodiment of the present invention.

FIG. 20 is a close-up left side elevation view of a portion of a light fixture according to an embodiment of the present invention.

FIG. 21 is a cross-sectional view along cut line 18B-18B of a light fixture according to an embodiment of the present invention.

FIG. 22 is a perspective view of a light fixture according to an embodiment of the present invention.

FIG. 23 is a left side elevation view of a light fixture according to an embodiment of the present invention, with the right side being a mirror image.

FIG. 24 is a front end elevation view of a light fixture according to an embodiment of the present invention, with the back end elevation view being identical.

FIG. 25 is a bottom plan view of a light fixture according to an embodiment of the present invention.

FIG. 26 is a top plan view of a light fixture according to an embodiment of the present invention.

FIG. 27 is a close-up left side elevation view of a portion of a light fixture according to an embodiment of the present invention.

FIG. 28 is a cross-sectional view along cut line 28-28 of a light fixture according to an embodiment of the present invention.

FIG. 29 is a perspective view of a light fixture according to an embodiment of the present invention.

FIG. 30 is a left side elevation view of a light fixture according to an embodiment of the present invention, with the right side being a mirror image.

FIG. 31 is a front end elevation view of a light fixture according to an embodiment of the present invention, with the back end elevation view being identical.

FIG. 32 is a bottom plan view of a light fixture according to an embodiment of the present invention.

FIG. 33 is a top plan view of a light fixture according to an embodiment of the present invention.

FIG. 34 is a close-up left side elevation view of a portion of a light fixture according to an embodiment of the present invention.

FIG. 35 is a cross-sectional view along cut line 30B-30B of a light fixture according to an embodiment of the present invention.

FIG. 36 is a perspective view of a light fixture according to an embodiment of the present invention.

FIG. 37 is a left side elevation view of a light fixture according to an embodiment of the present invention, with the right side being a mirror image.

FIG. 38 is a front end elevation view of a light fixture according to an embodiment of the present invention, with the back end elevation view being identical.

FIG. 39 is a bottom plan view of a light fixture according to an embodiment of the present invention.

FIG. 40 is a top plan view of a light fixture according to an embodiment of the present invention.

FIG. 41 is a close-up left side elevation view of a portion of a light fixture according to an embodiment of the present invention.

FIG. 42 is a cross-sectional view along cut line 42 of a light fixture according to an embodiment of the present invention.

FIG. 43 is a perspective view of a light fixture according to an embodiment of the present invention.

FIG. 44 is a left side elevation view of a light fixture according to an embodiment of the present invention, with the right side being a mirror image.

FIG. 45 is a front end elevation view of a light fixture according to an embodiment of the present invention, with the back end elevation view being identical.

FIG. 46 is a bottom plan view of a light fixture according to an embodiment of the present invention.

FIG. 47 is a top plan view of a light fixture according to an embodiment of the present invention.

FIG. 48 is a close-up left side elevation view of a portion of a light fixture according to an embodiment of the present invention.

FIG. 49 is a cross-sectional view along cut line 49-49 of a light fixture according to an embodiment of the present invention.

FIG. 50 is a perspective view of a light fixture according to an embodiment of the present invention.

FIG. 51 is a left side elevation view of a light fixture according to an embodiment of the present invention, with the right side being a mirror image.

FIG. 52 is a front end elevation view of a light fixture according to an embodiment of the present invention, with the back end elevation view being identical.

FIG. 53 is a bottom plan view of a light fixture according to an embodiment of the present invention.

FIG. 54 is a top plan view of a light fixture according to an embodiment of the present invention.

FIG. 55 is a close-up left side elevation view of a portion of a light fixture according to an embodiment of the present invention.

FIG. 56 is a cross-sectional view along cut line 48B-48B of a light fixture according to an embodiment of the present invention.

FIG. 57 is a perspective view of a light fixture according to an embodiment of the present invention.

FIG. 58 is a left side elevation view of a light fixture according to an embodiment of the present invention, with the right side being a mirror image.

FIG. 59 is a front end elevation view of a light fixture according to an embodiment of the present invention, with the back end elevation view being identical.

FIG. 60 is a bottom plan view of a light fixture according to an embodiment of the present invention.

FIG. 61 is a top plan view of a light fixture according to an embodiment of the present invention.

FIG. 62 is a close-up left side elevation view of a portion of a light fixture according to an embodiment of the present invention; and,

FIG. 63 is a cross-sectional view along cut line 63-63 of a light fixture according to an embodiment of the present invention.

Some elements of the fixtures in some of the figures are in broken lines for illustrative purposes only and form no part of the claimed design.

The break lines in some of the figures indicate that the portions shown within the break lines form no part of the claimed design.

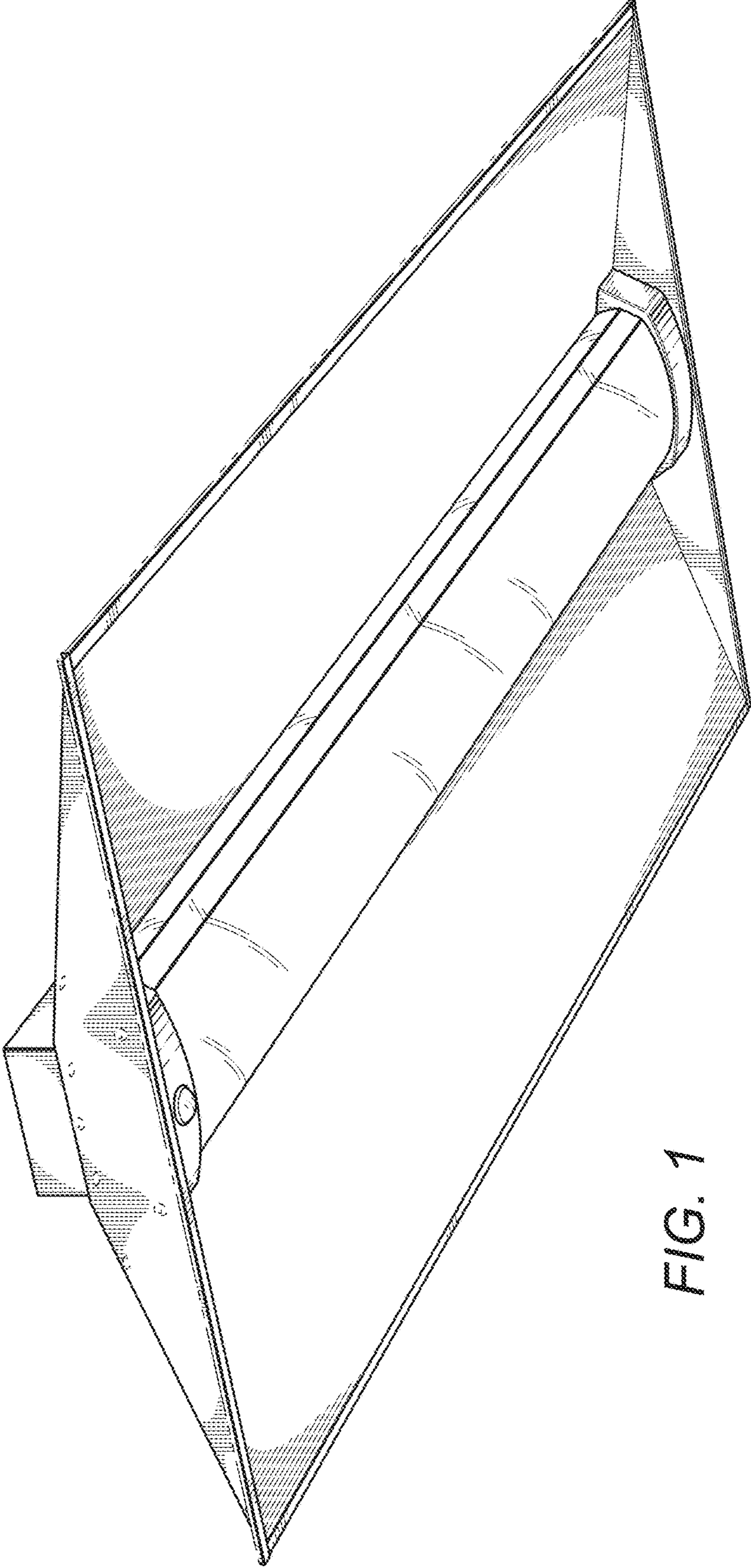


FIG. 1

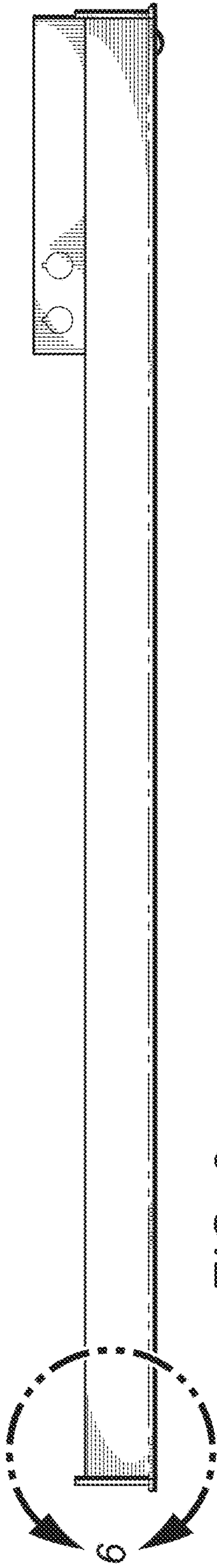


FIG. 2



FIG. 7

FIG. 6

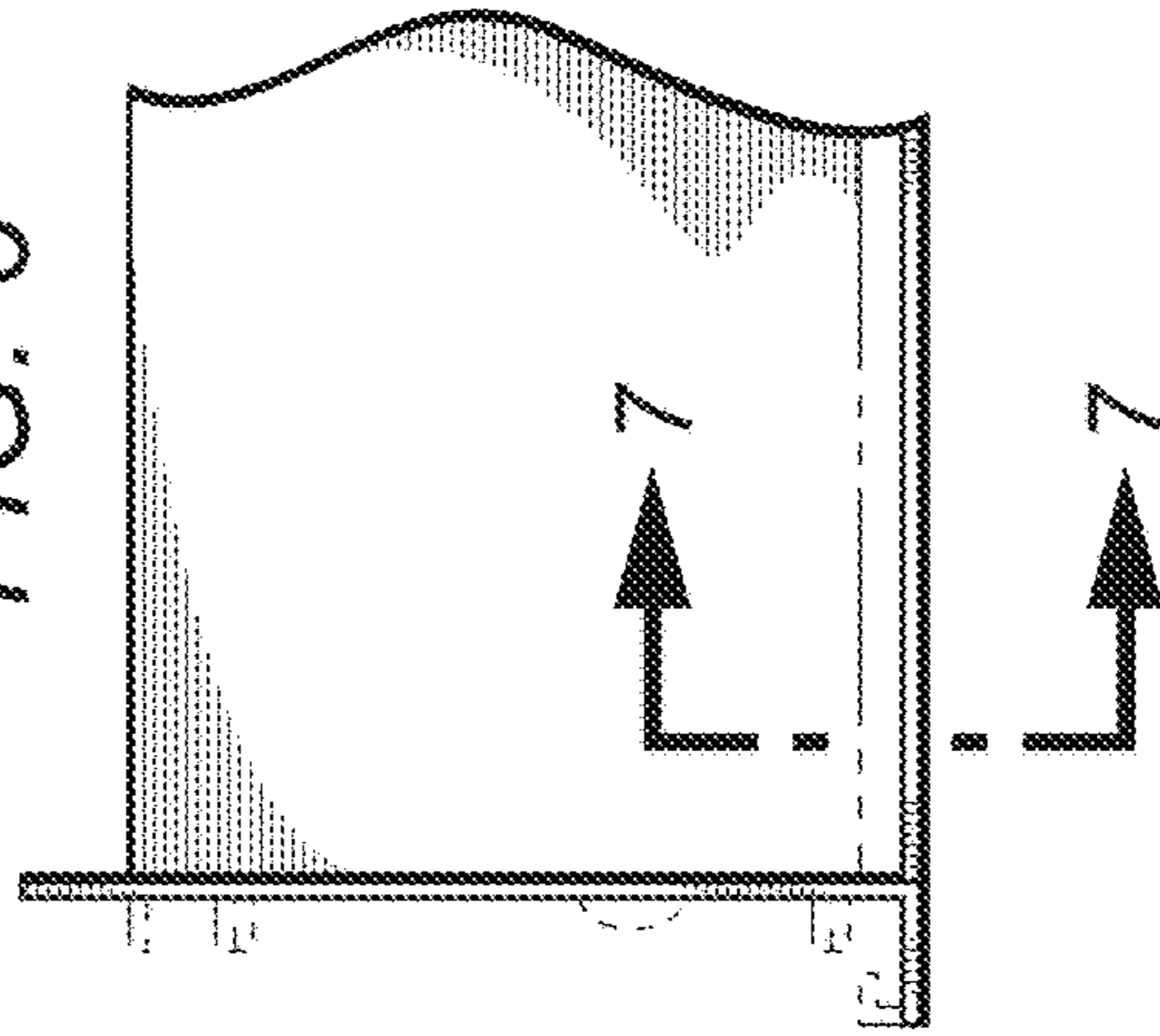


FIG. 3

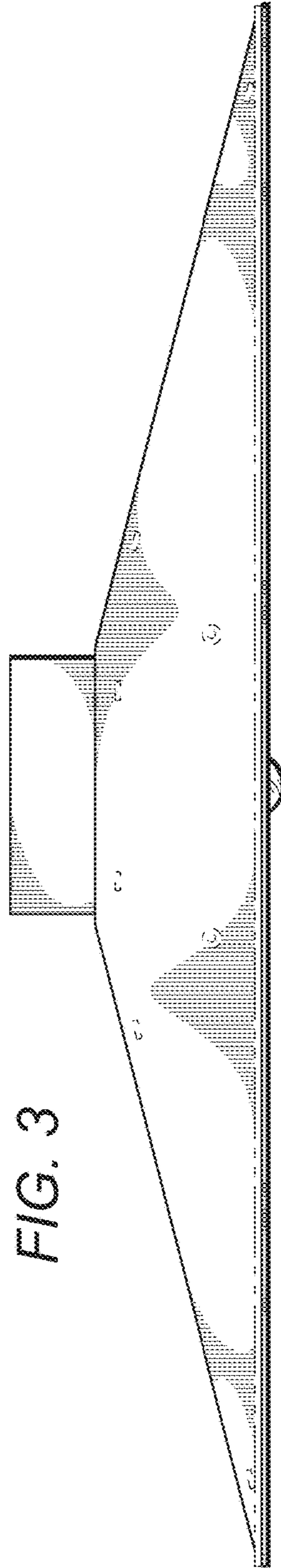
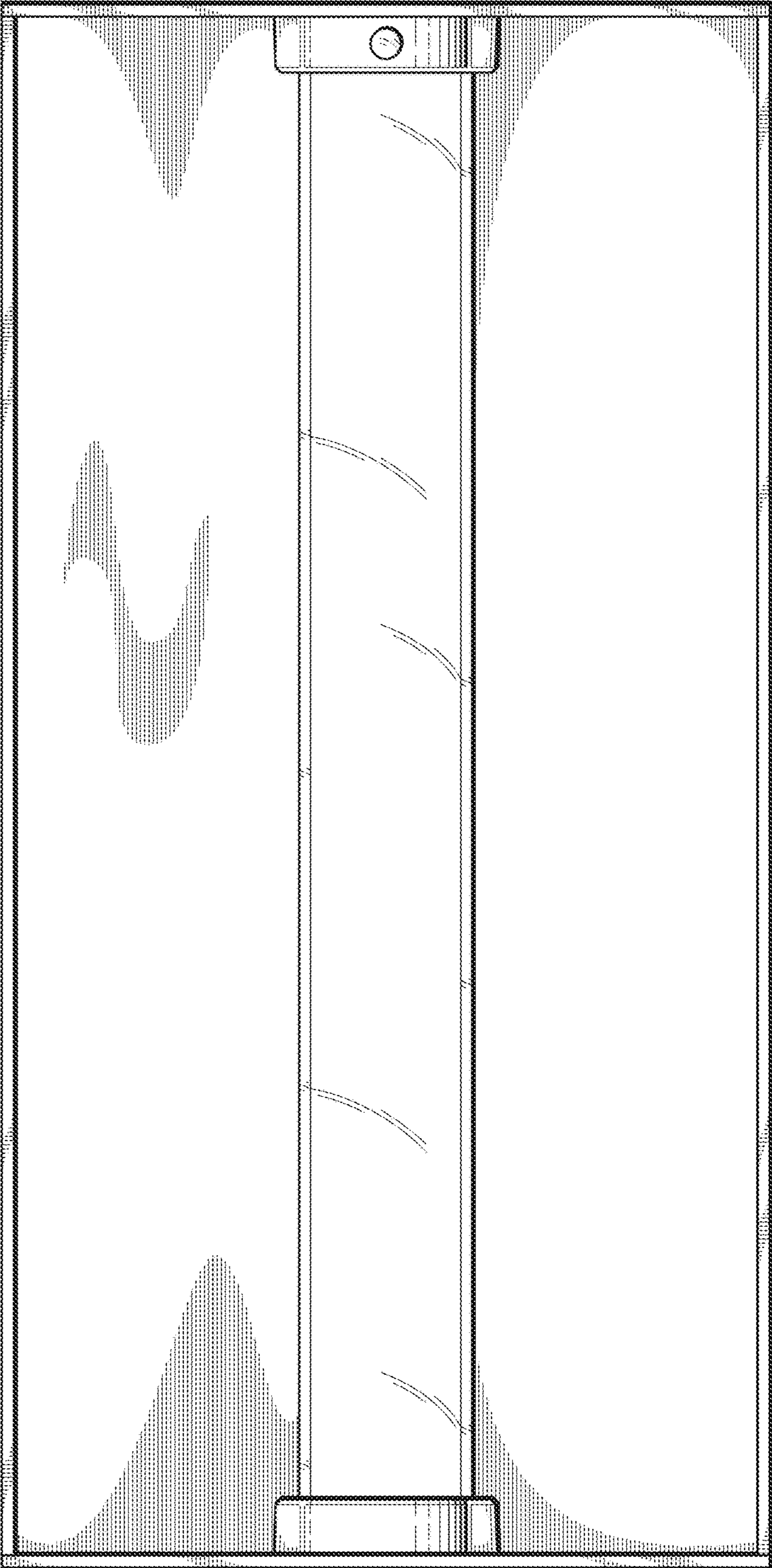


FIG. 4



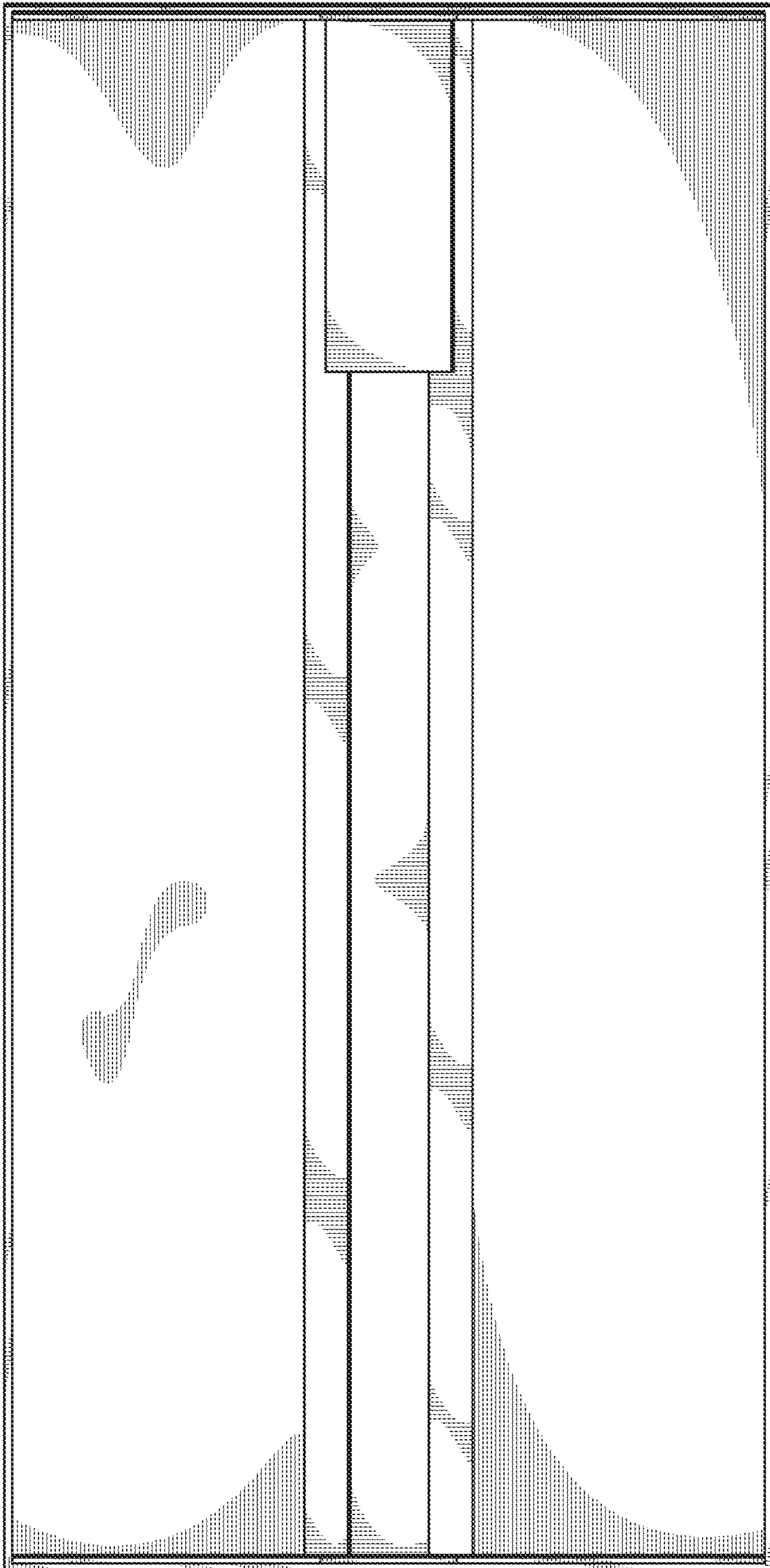
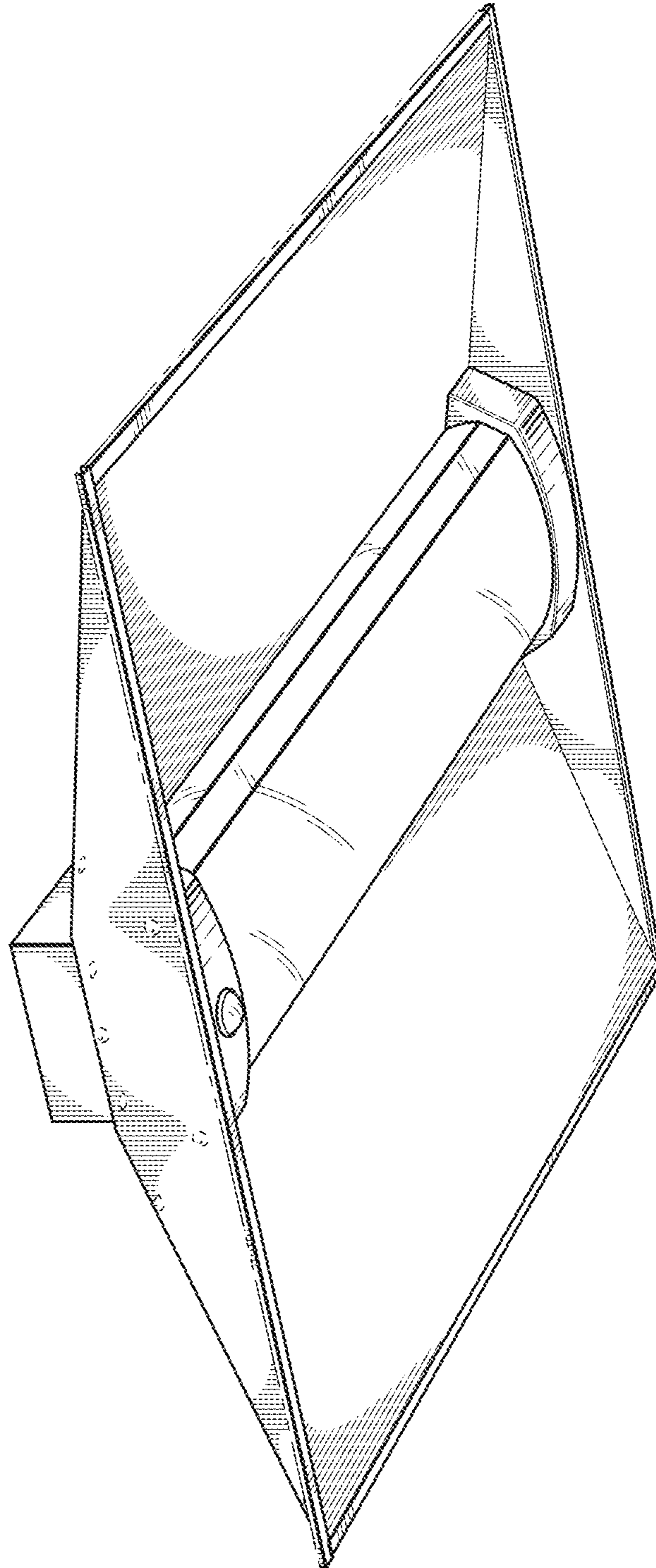


FIG. 5

FIG. 8



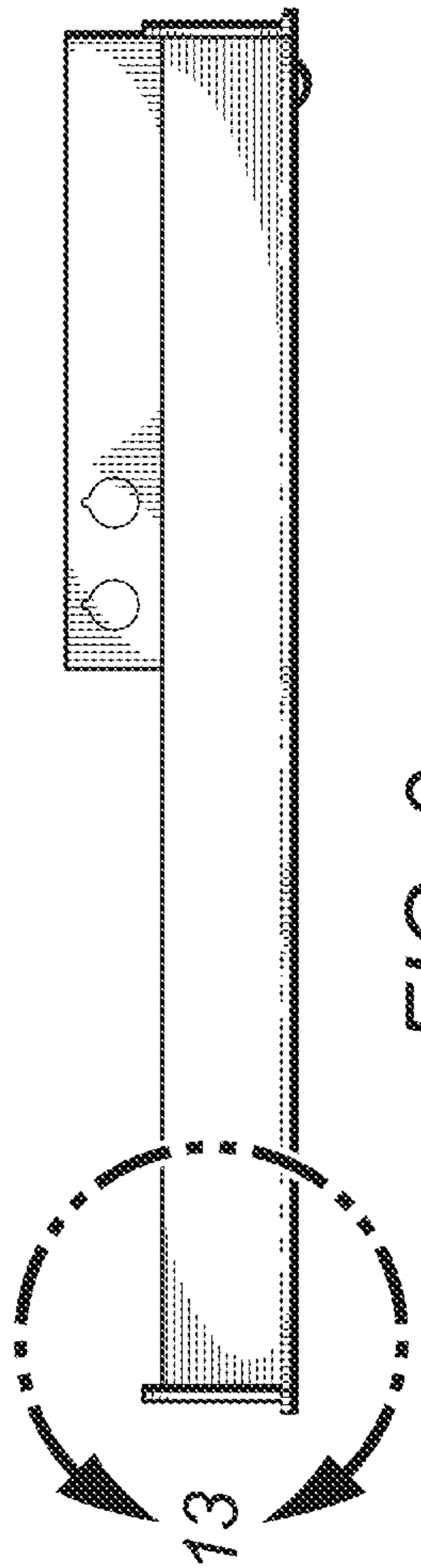


FIG. 9



FIG. 14

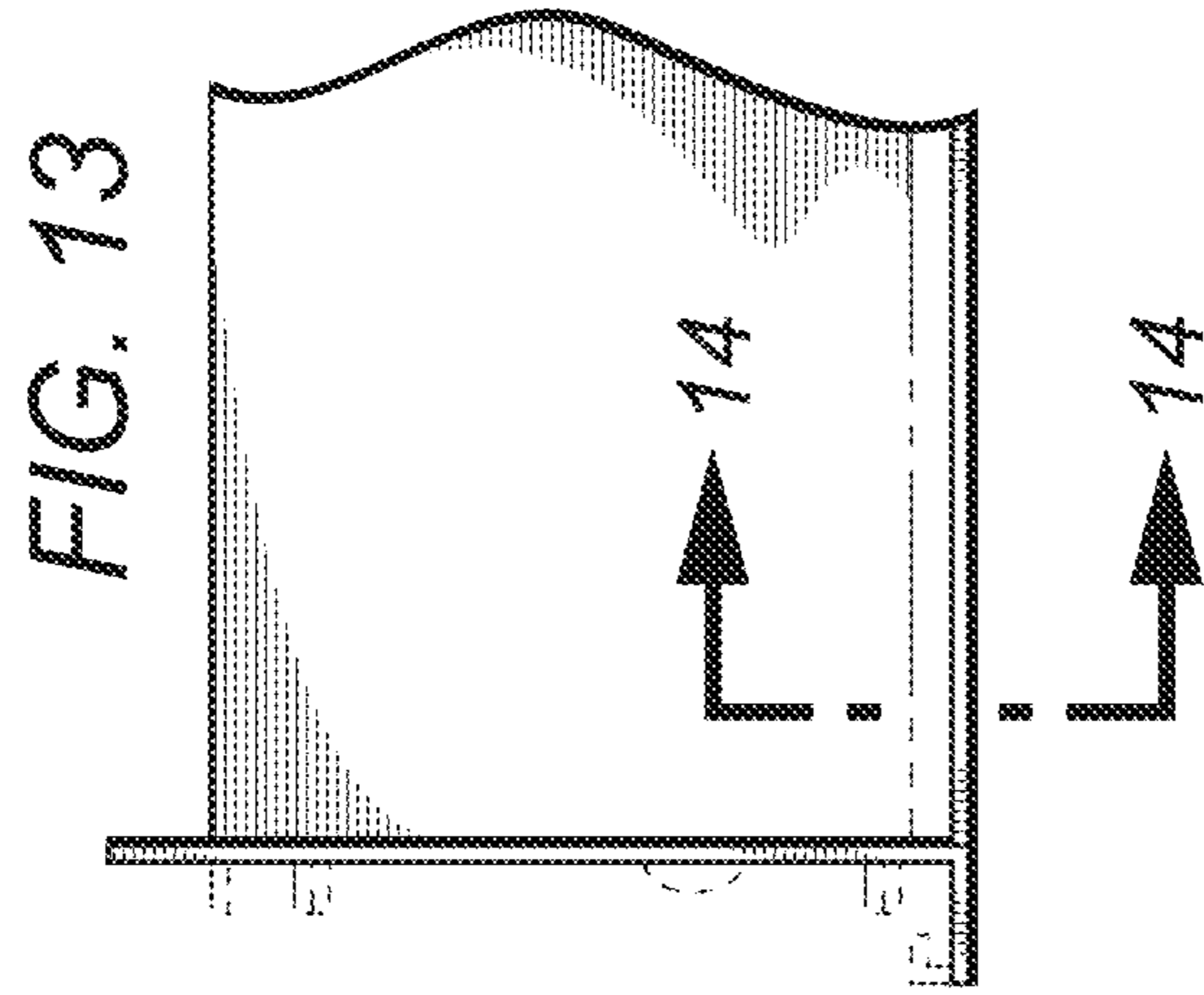


FIG. 13

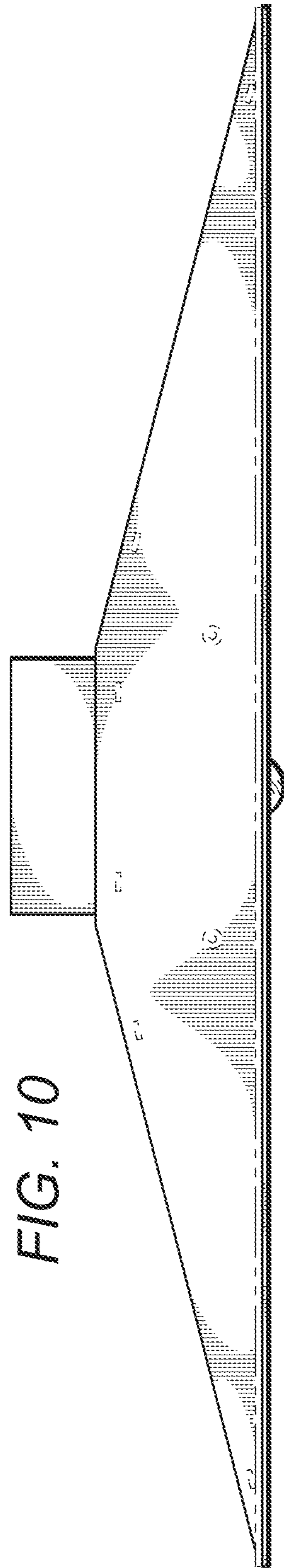


FIG. 10

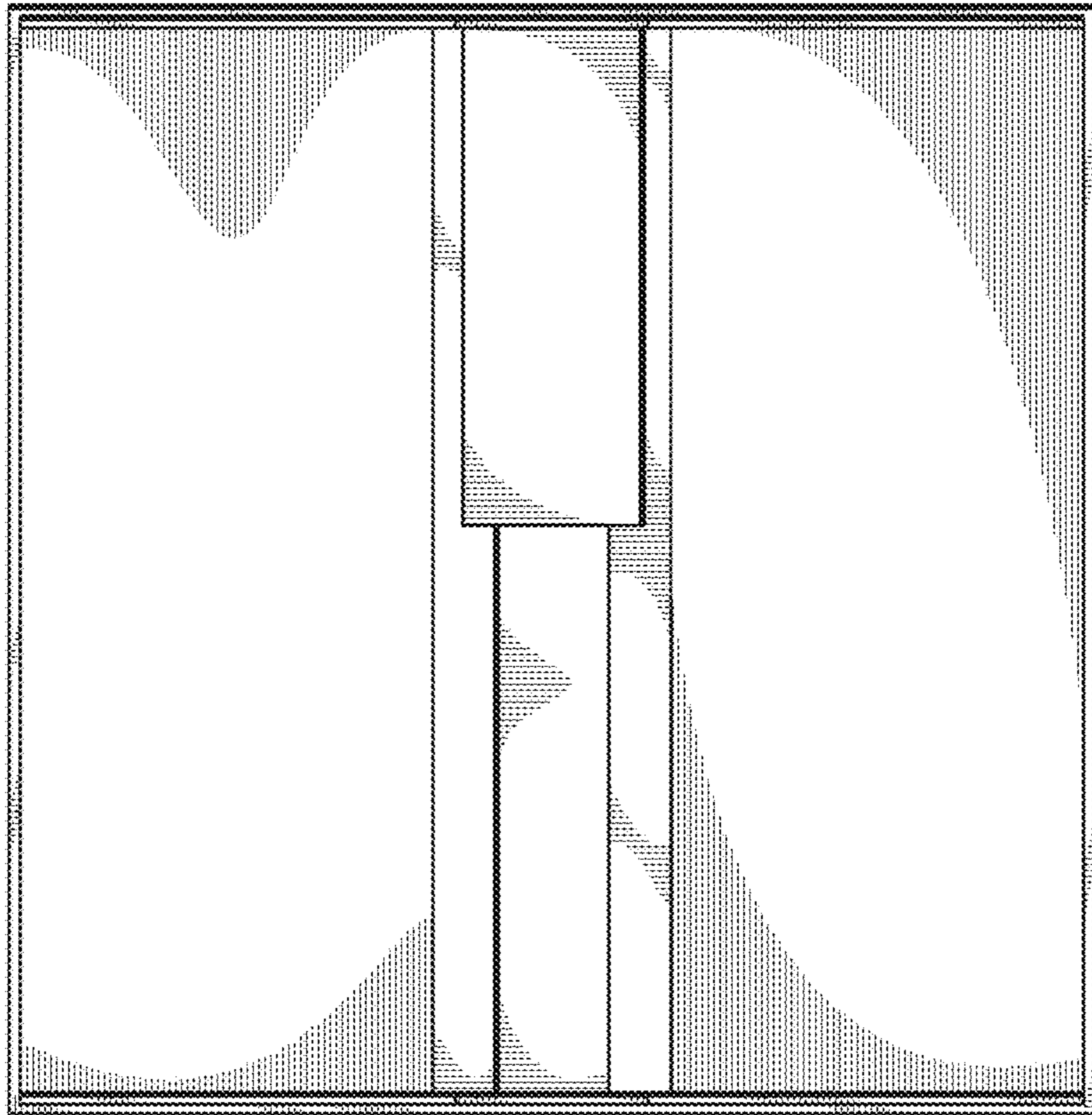


FIG. 11

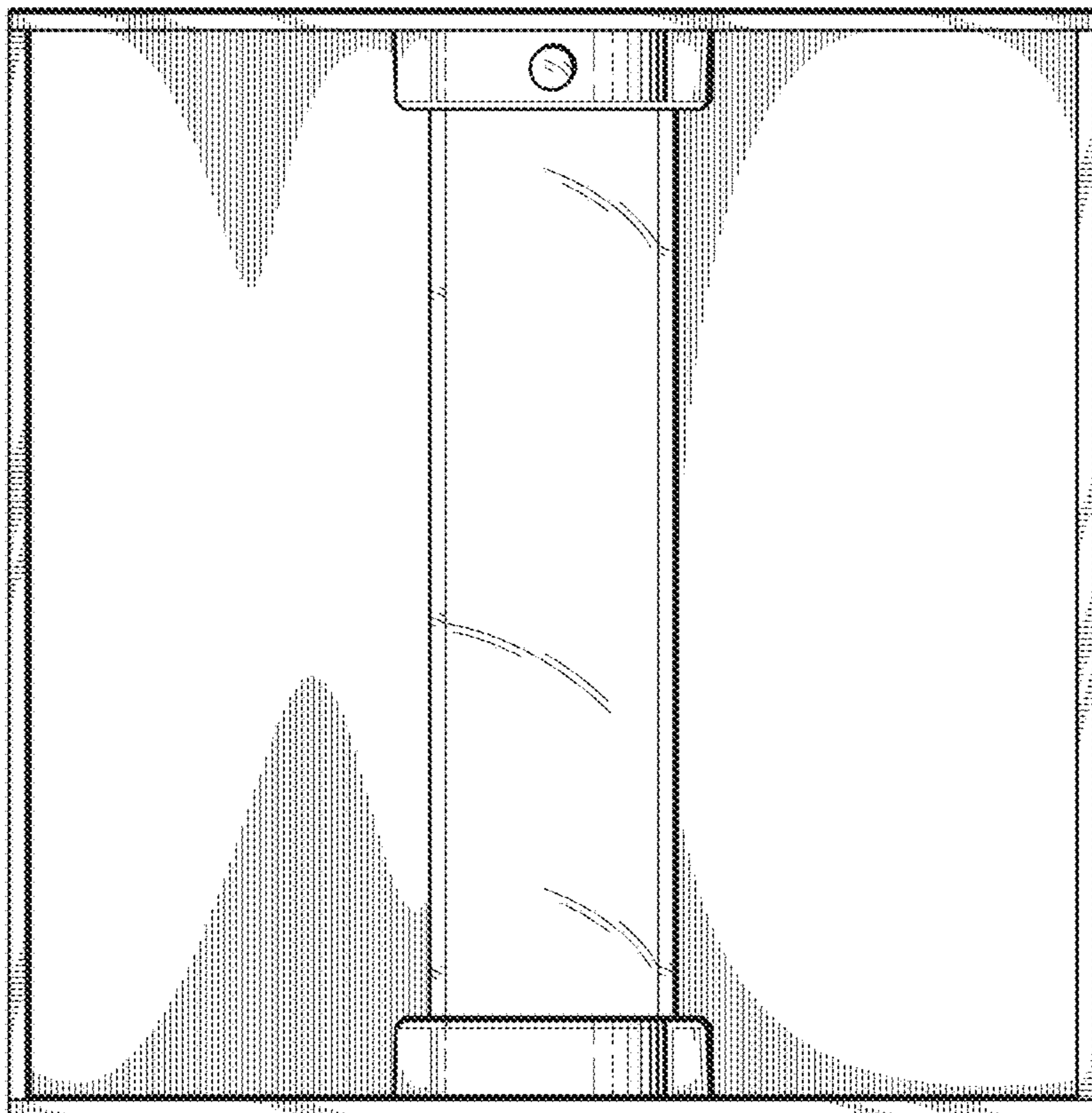


FIG. 12

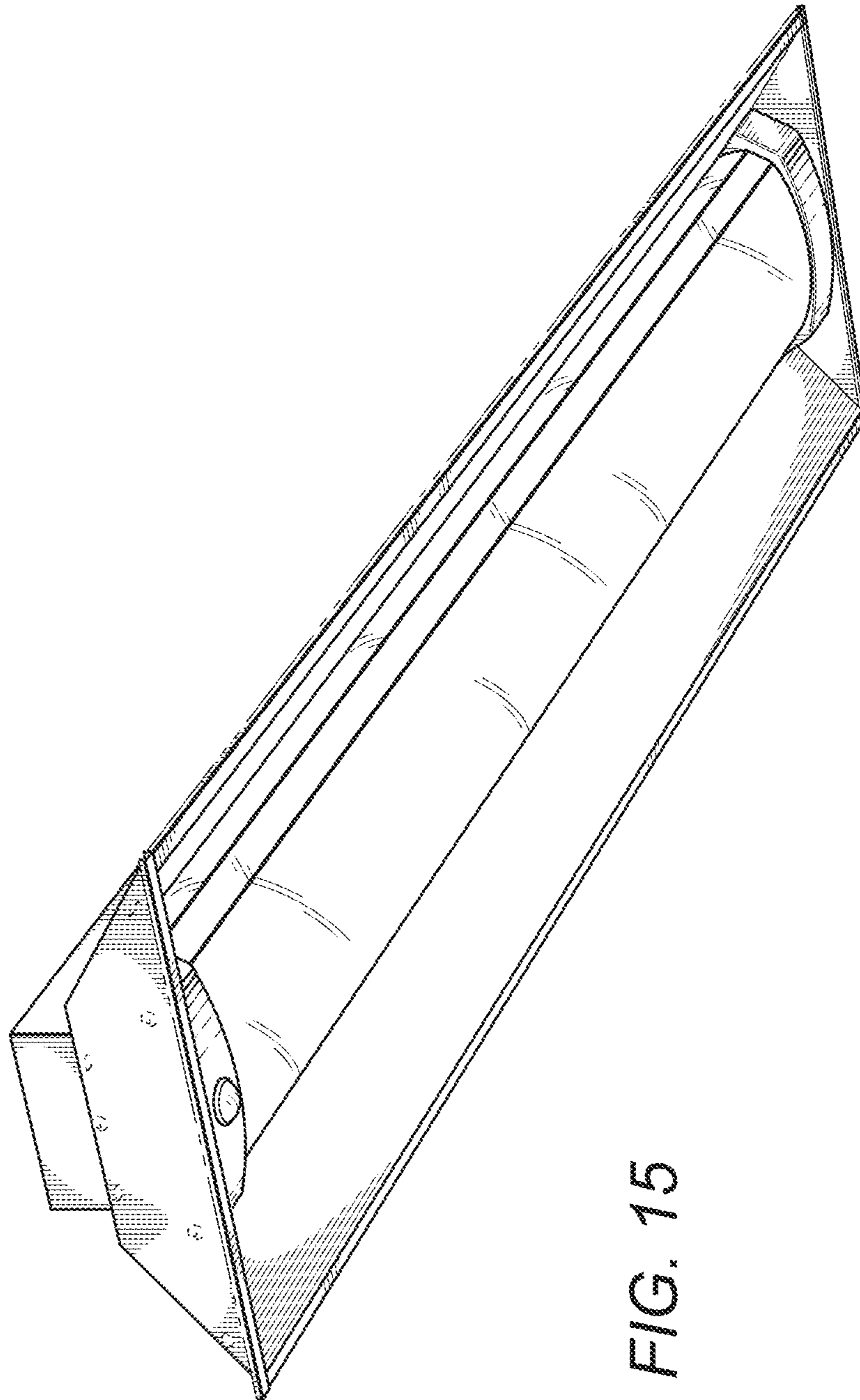


FIG. 15

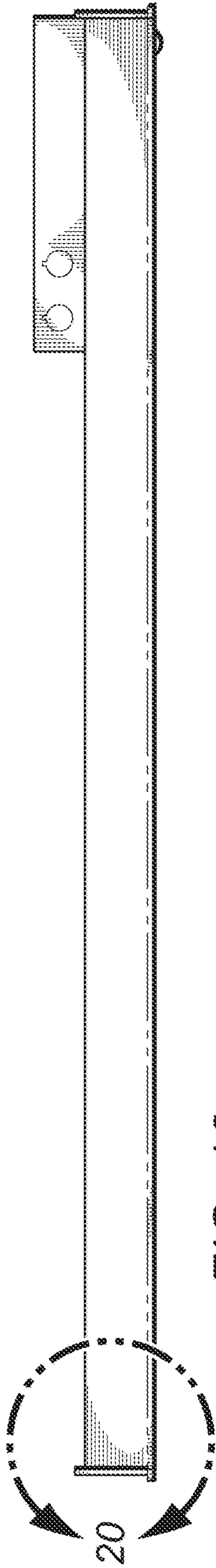


FIG. 16

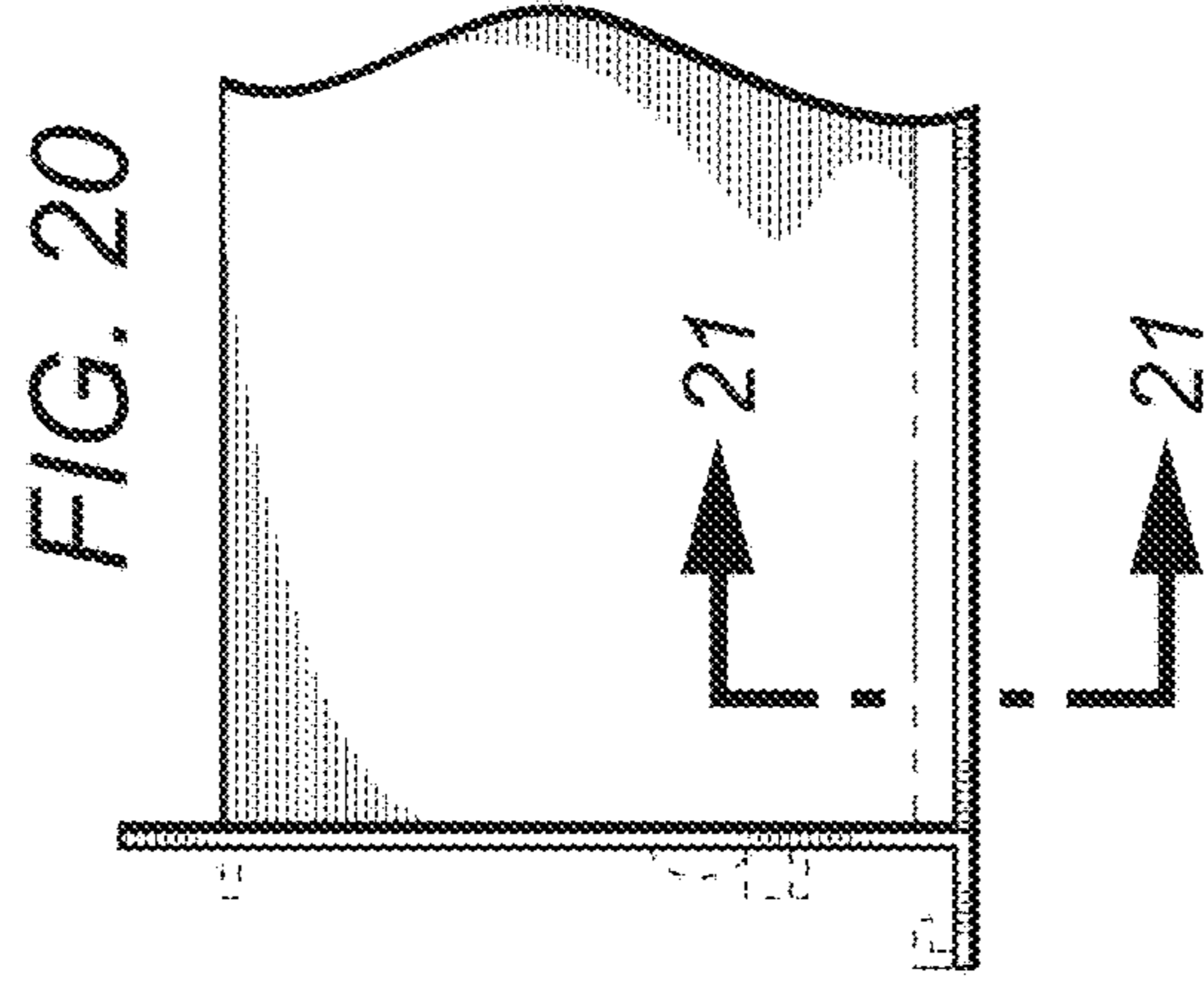


FIG. 20

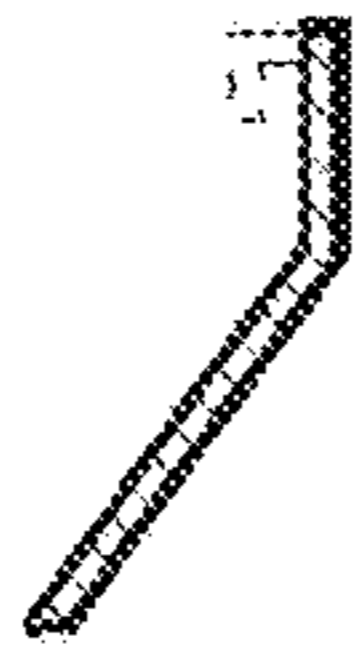
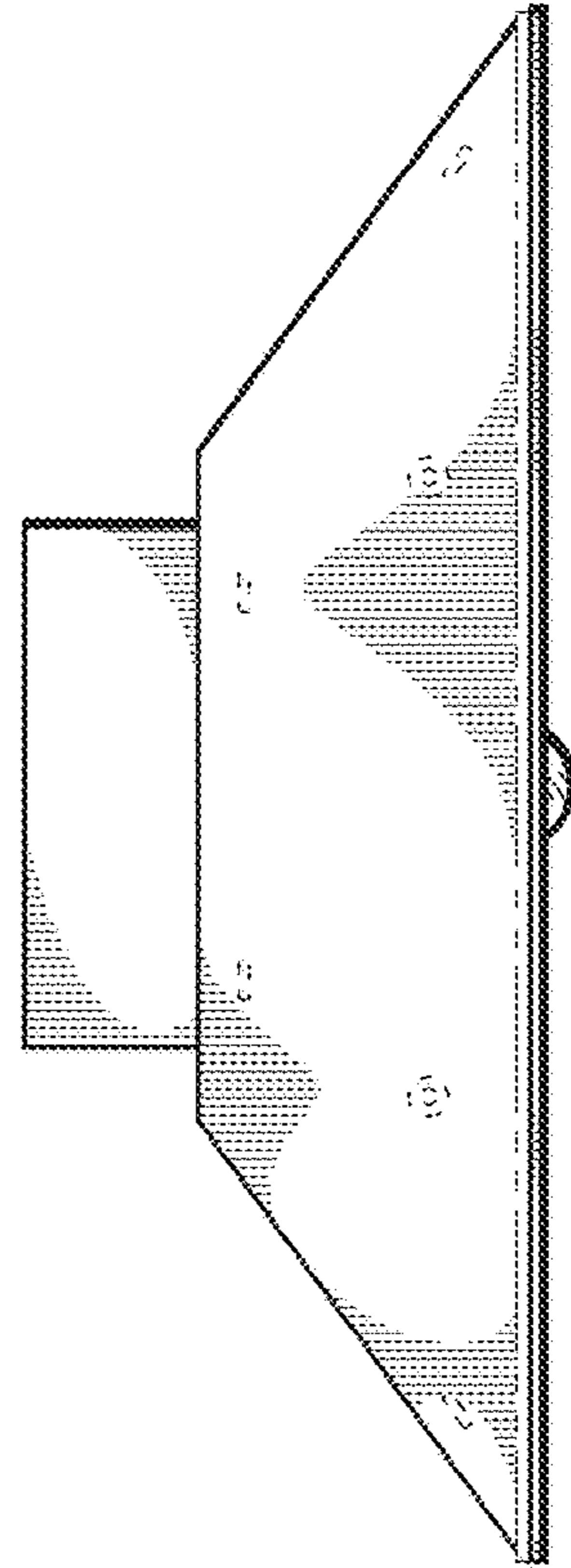


FIG. 21

FIG. 17



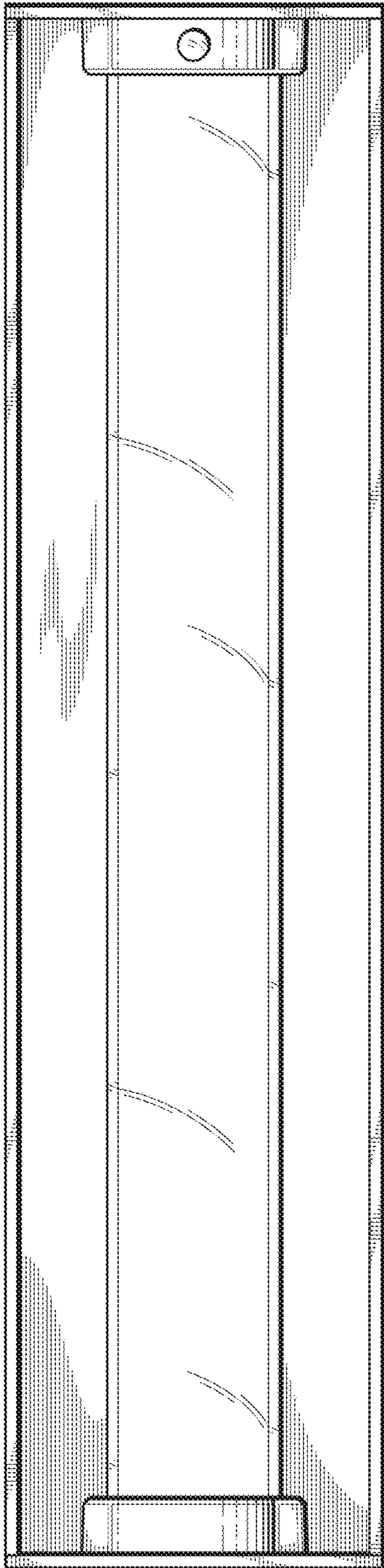
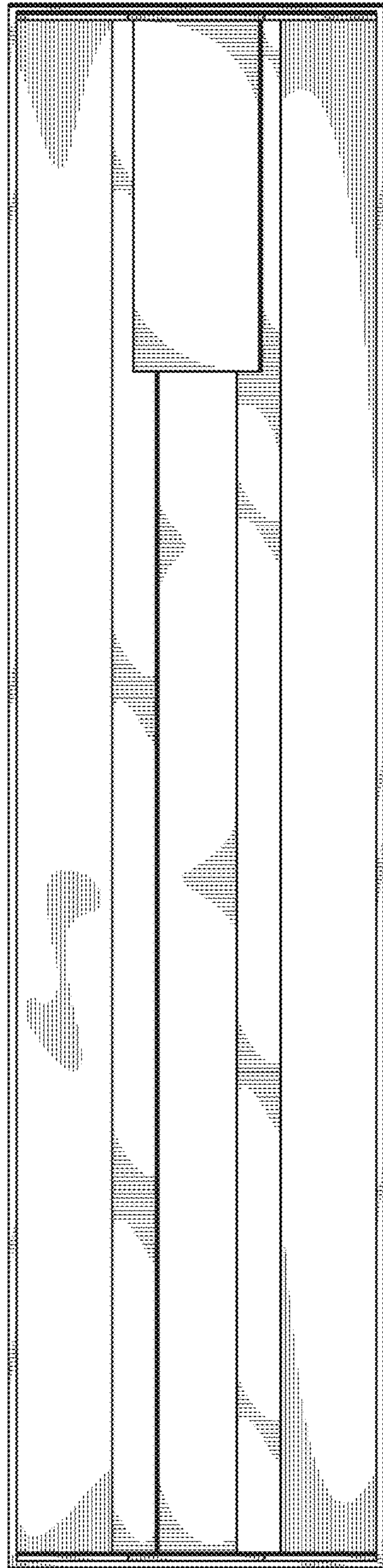


FIG. 18

FIG. 19



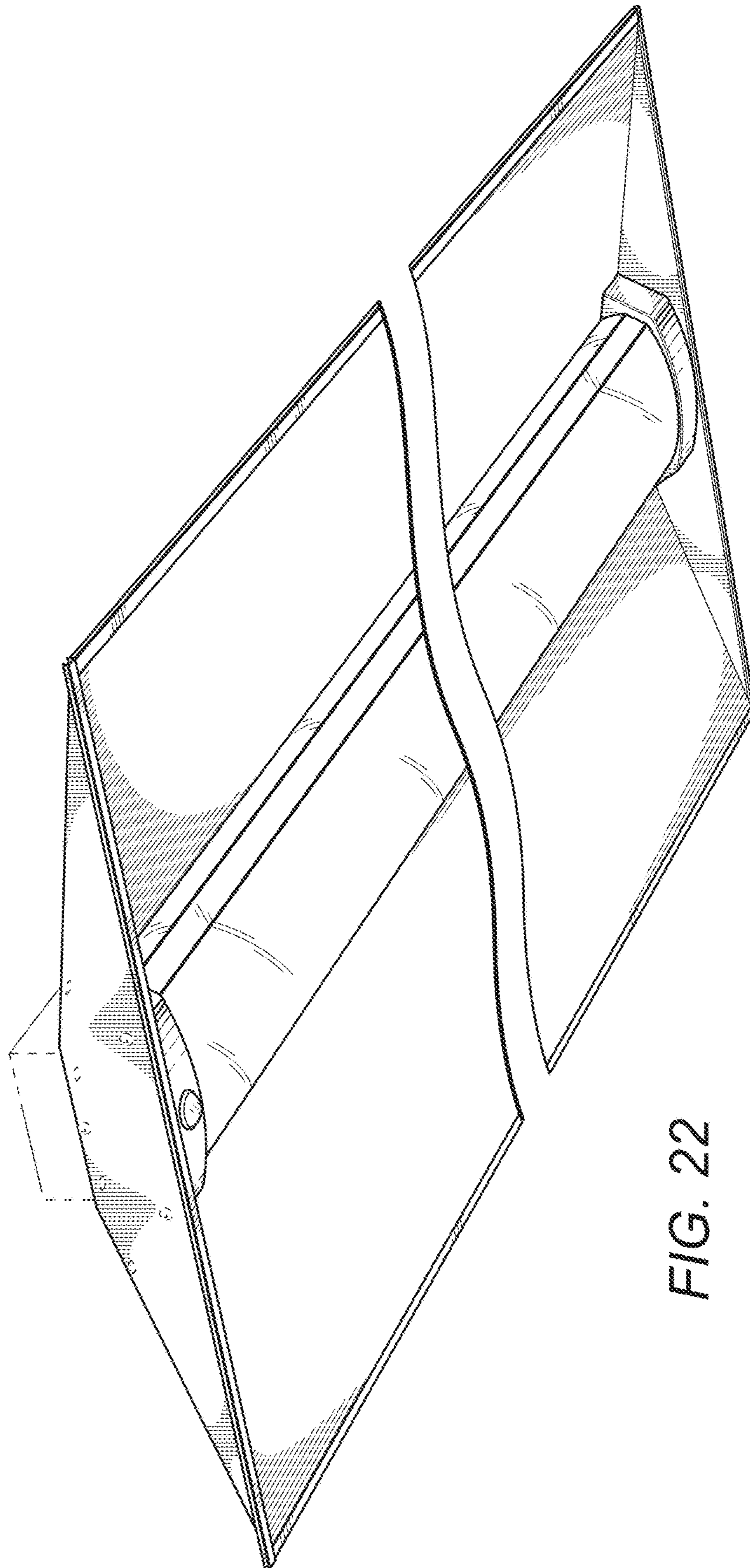


FIG. 22

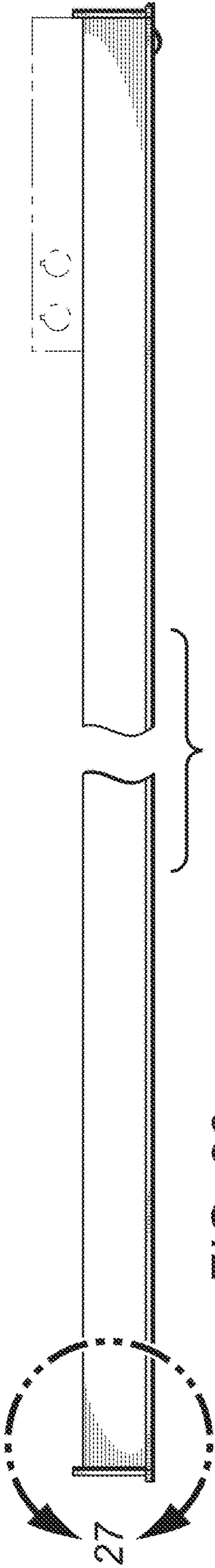


FIG. 23

FIG. 27

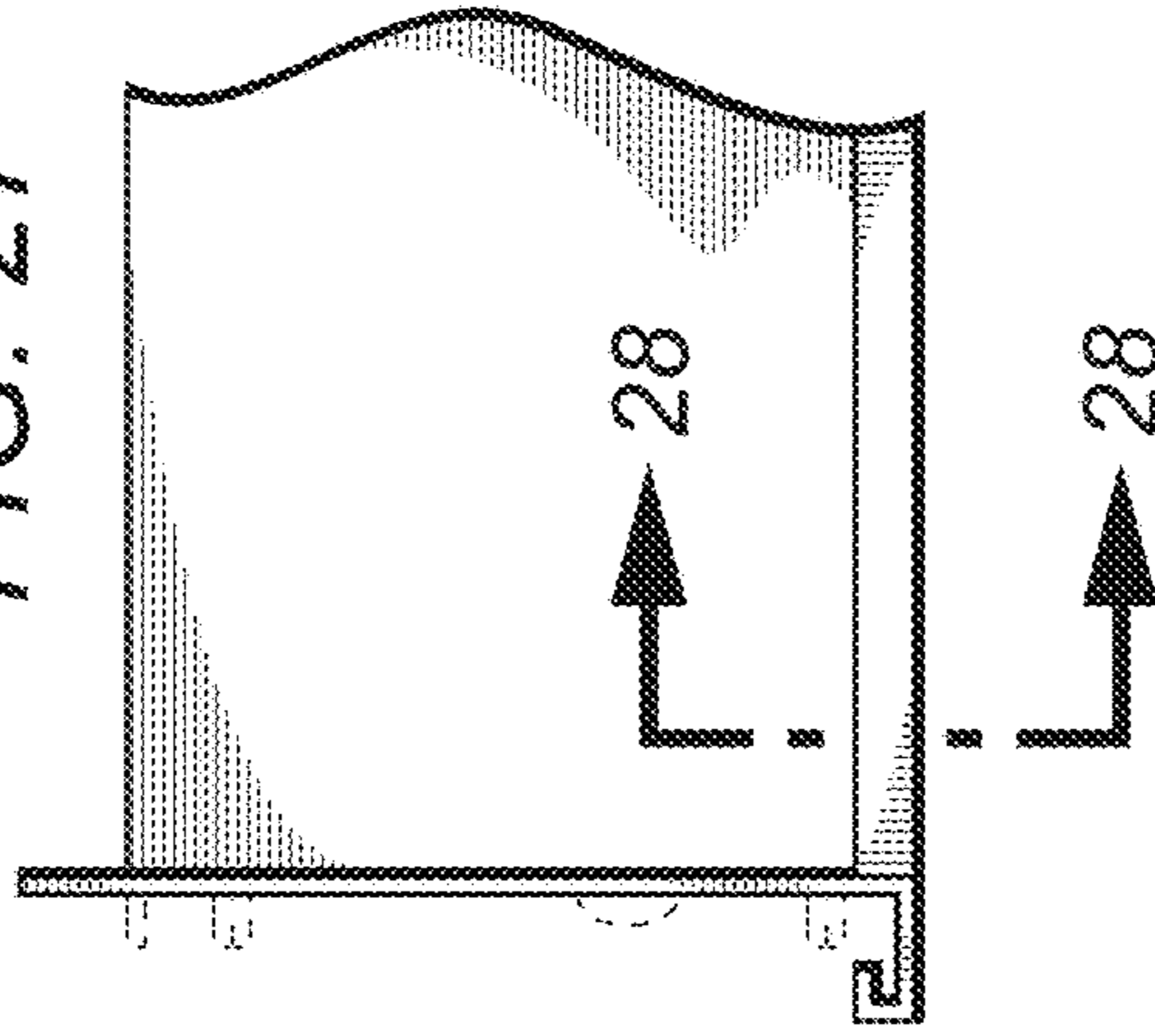


FIG. 28

FIG. 24

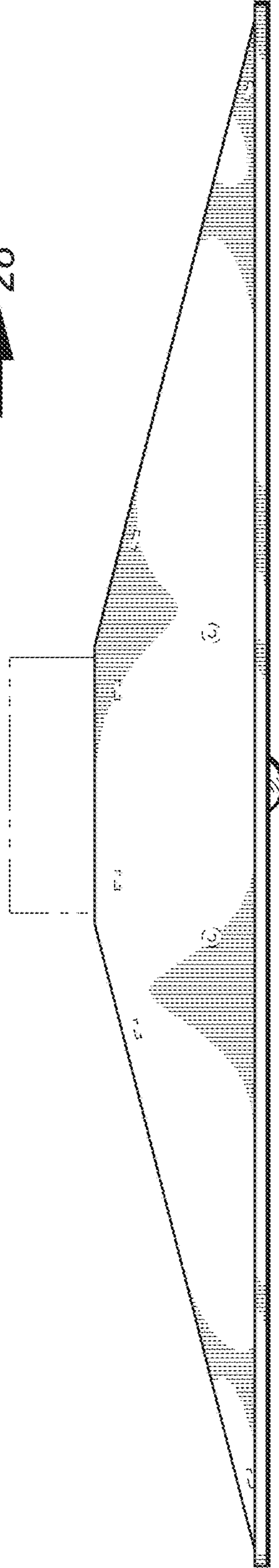
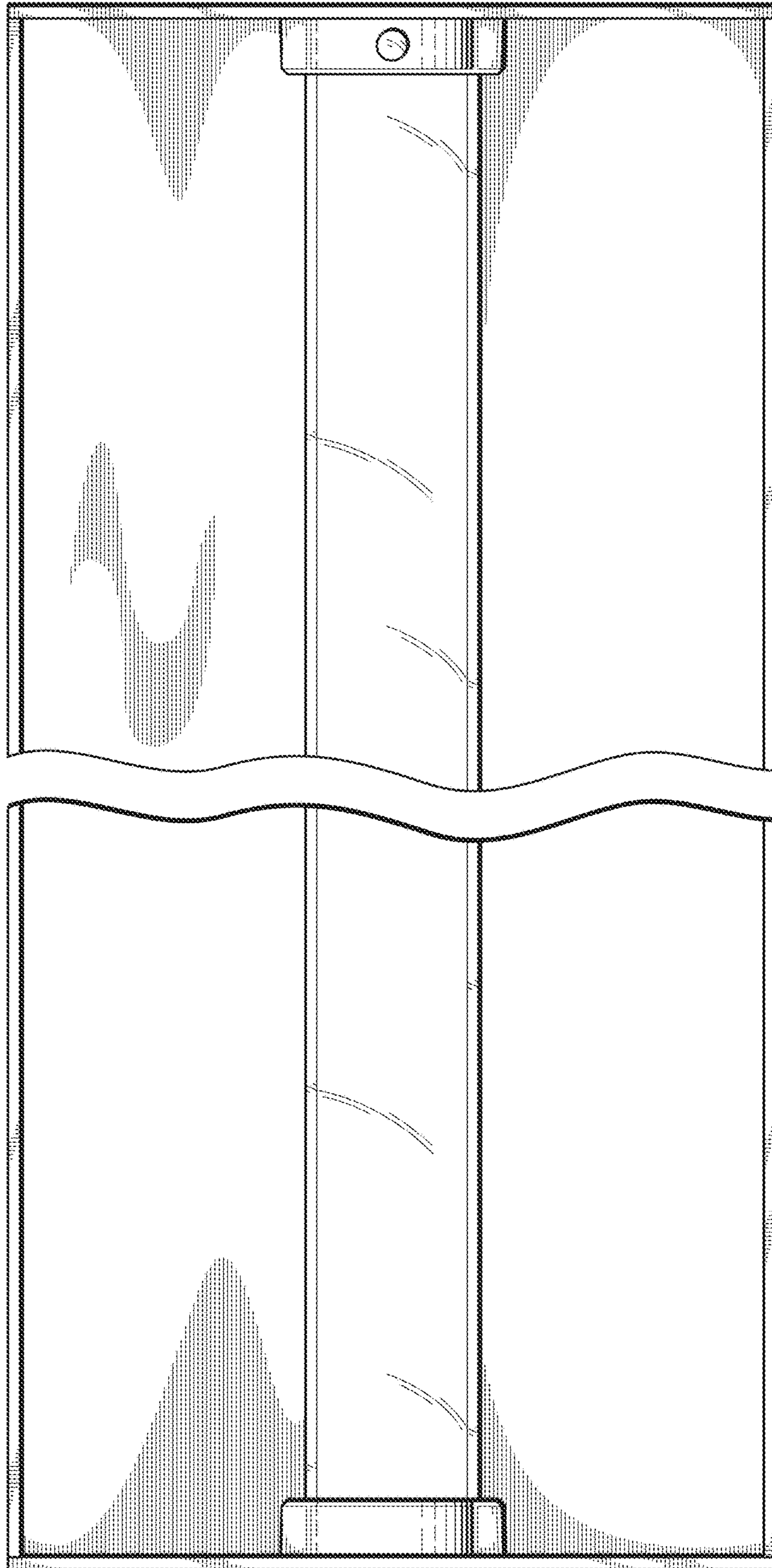


FIG. 25



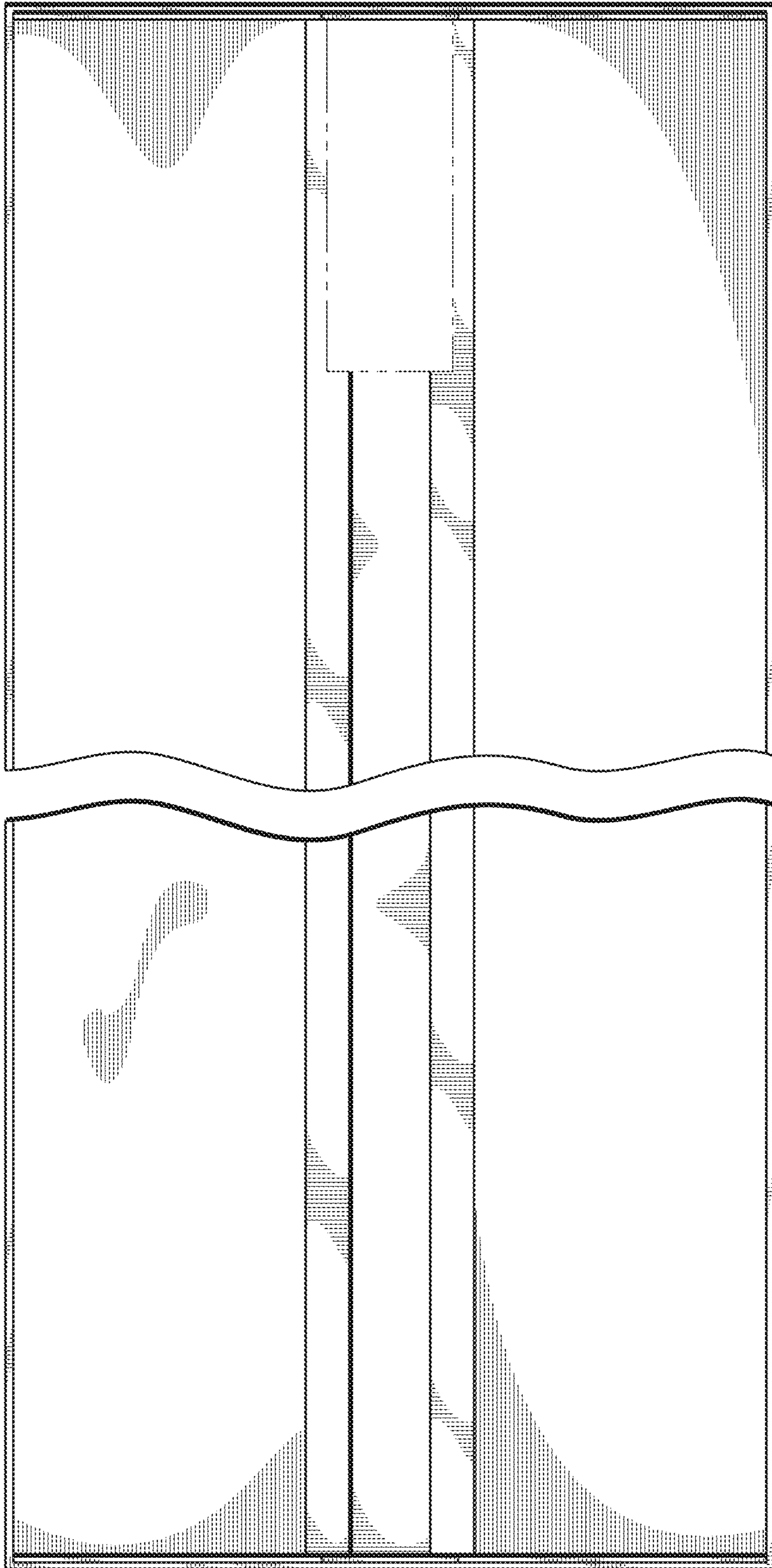


FIG. 26

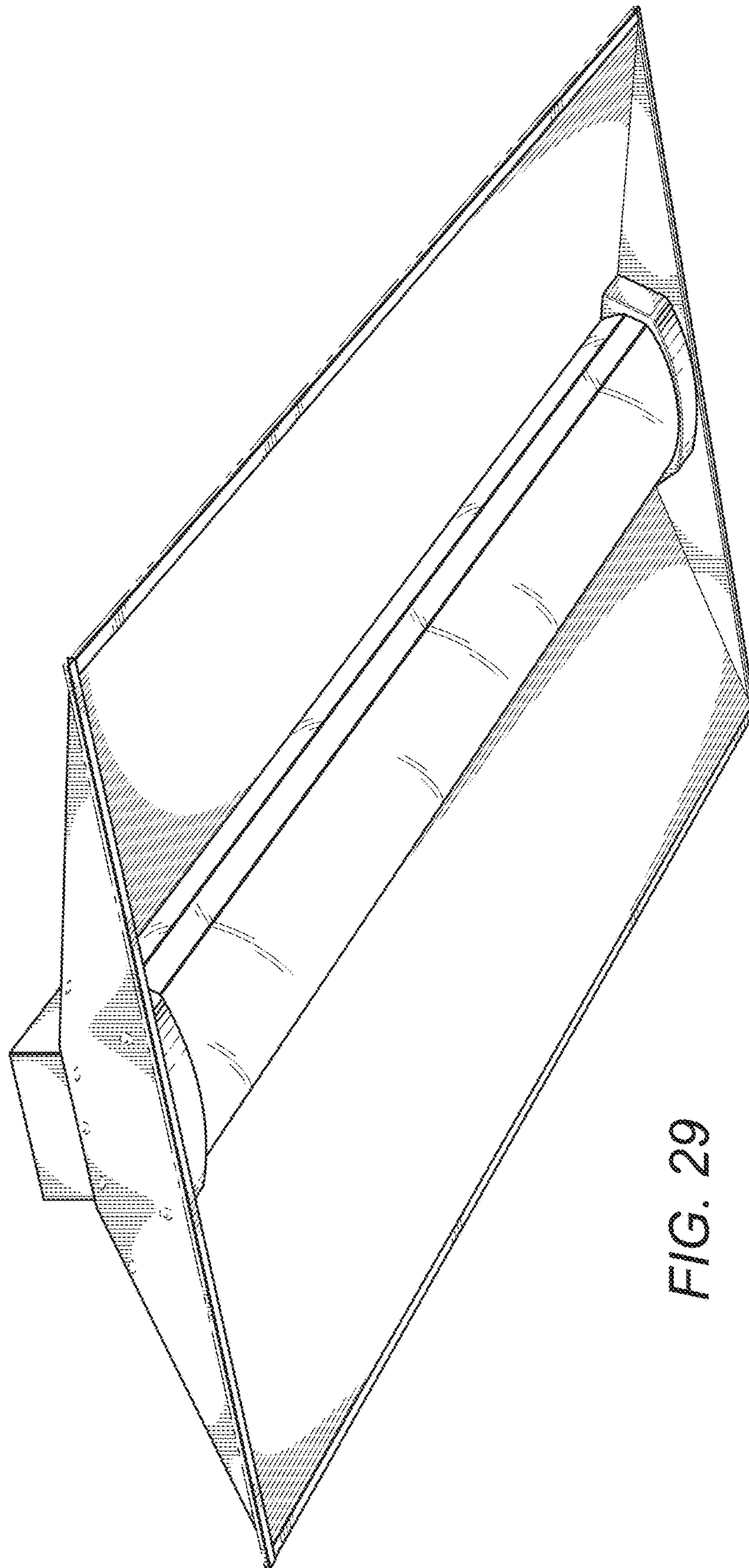


FIG. 29

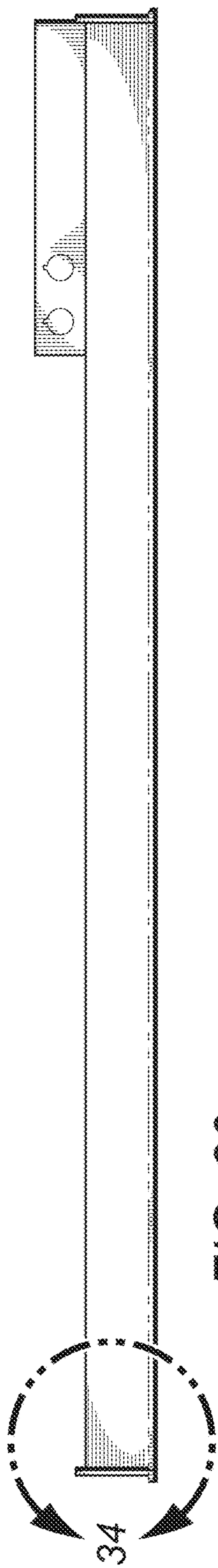


FIG. 30

FIG. 34

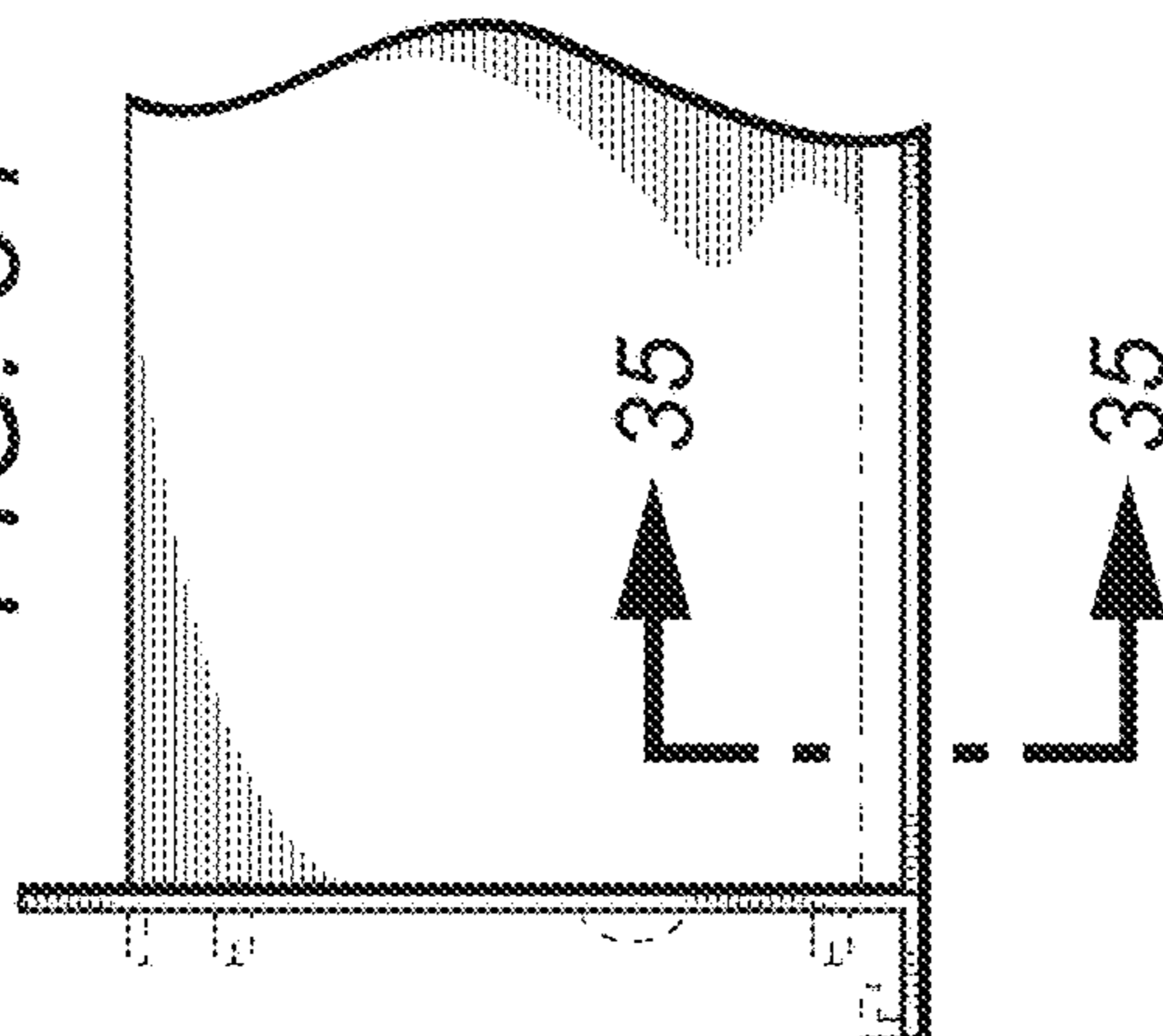


FIG. 35

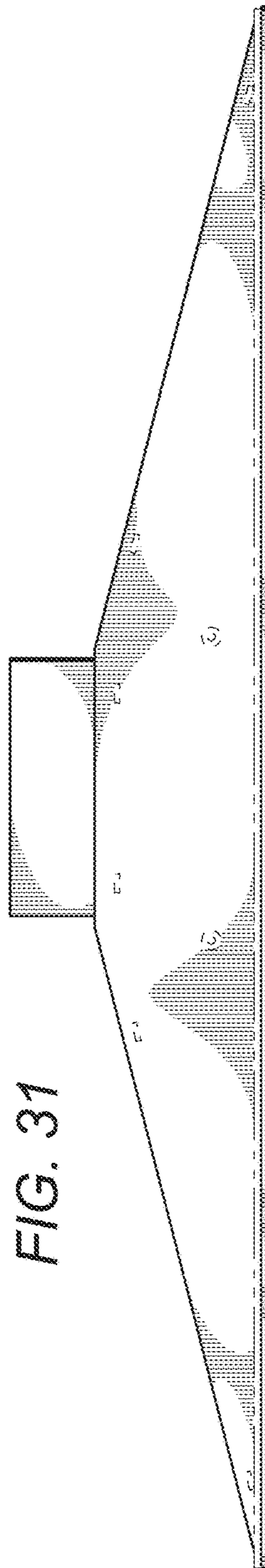
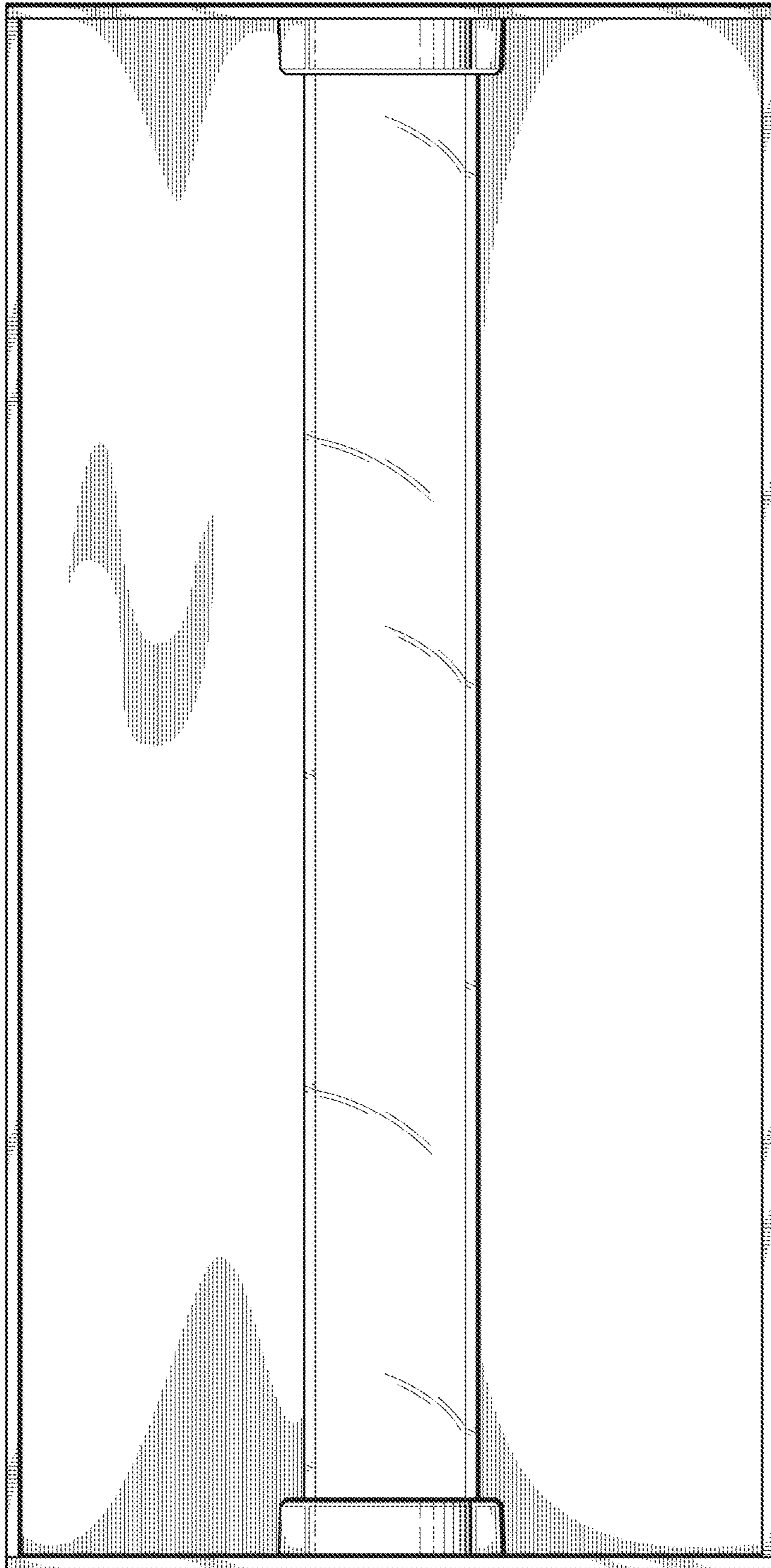


FIG. 31

FIG. 32



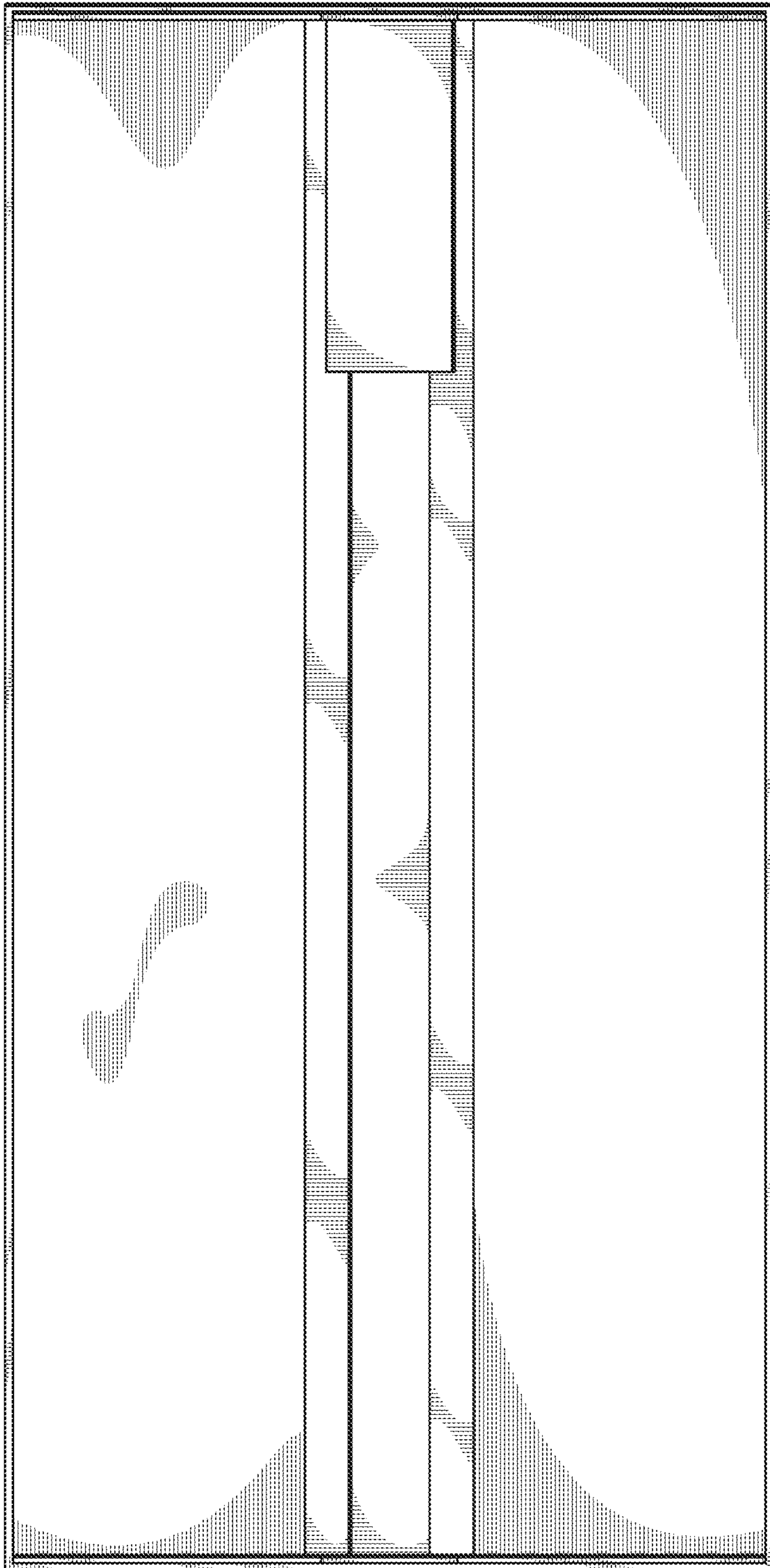
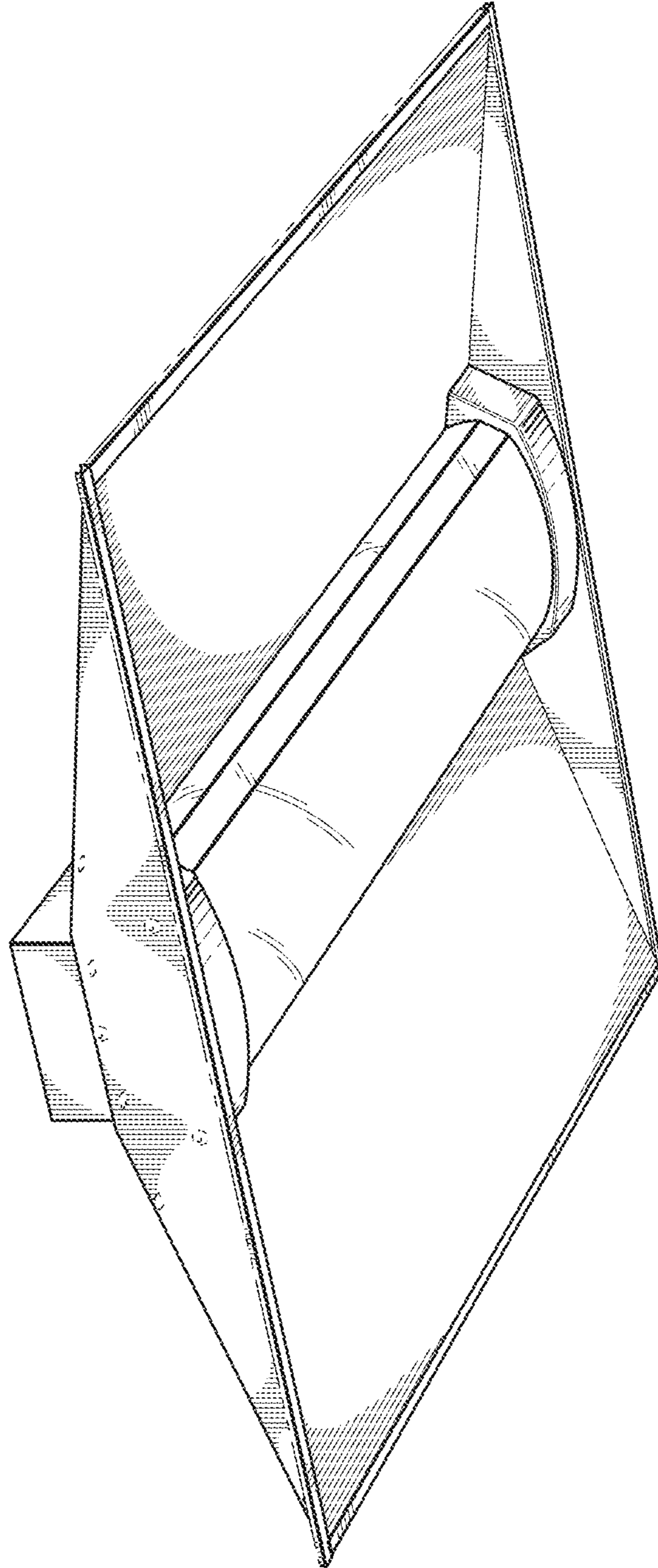


FIG. 33

FIG. 36



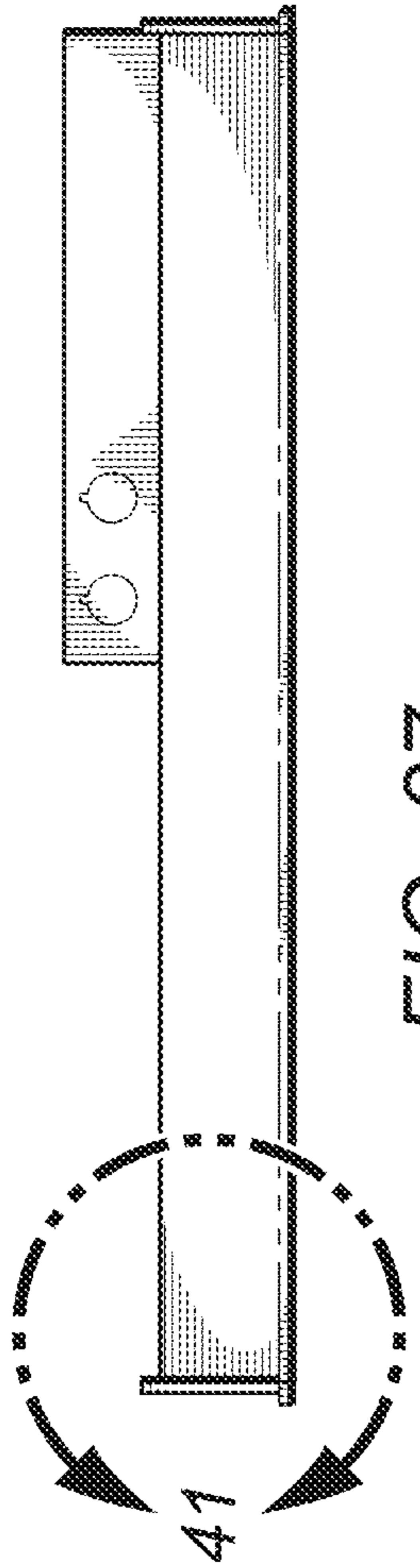


FIG. 37



FIG. 42

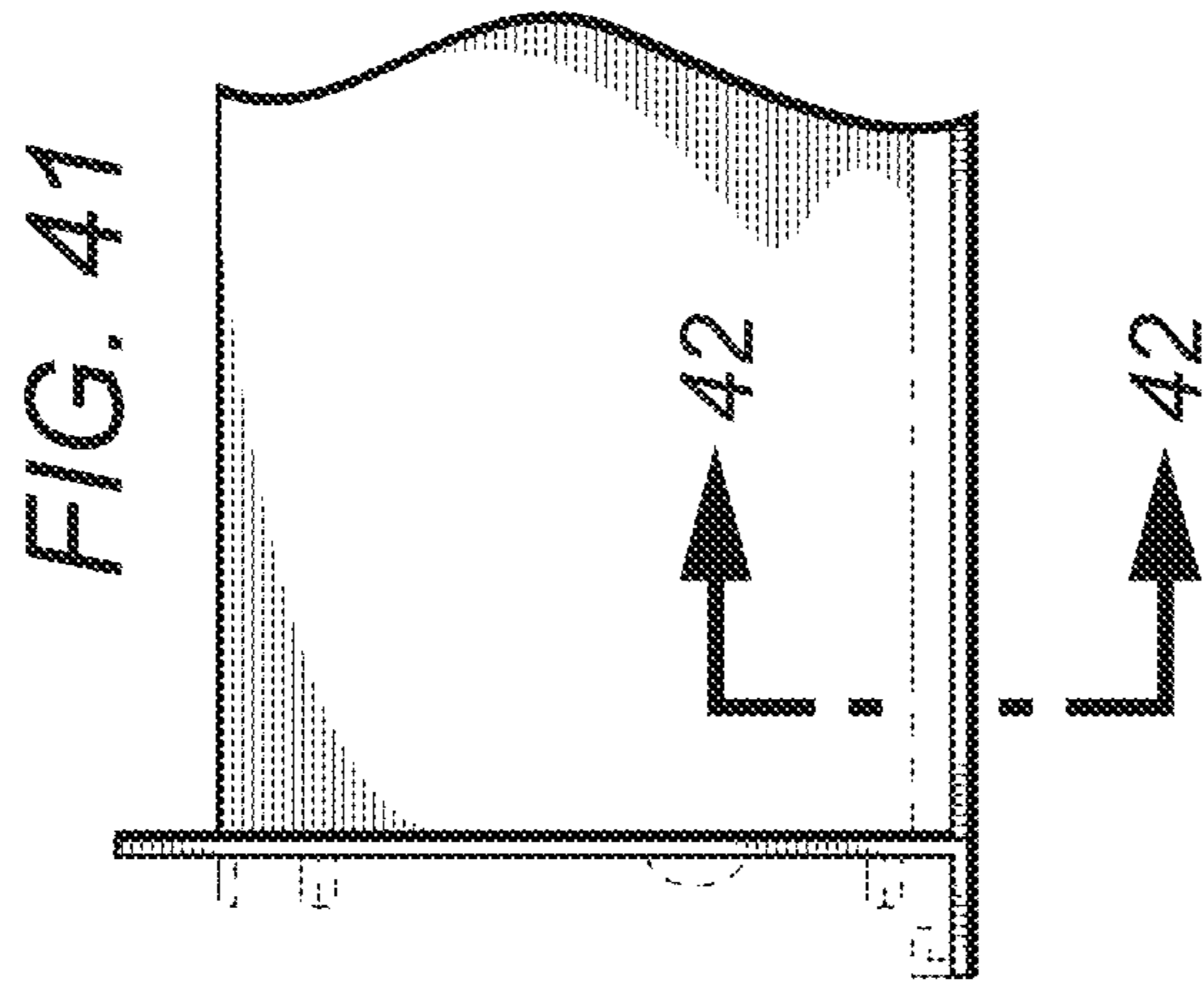


FIG. 41

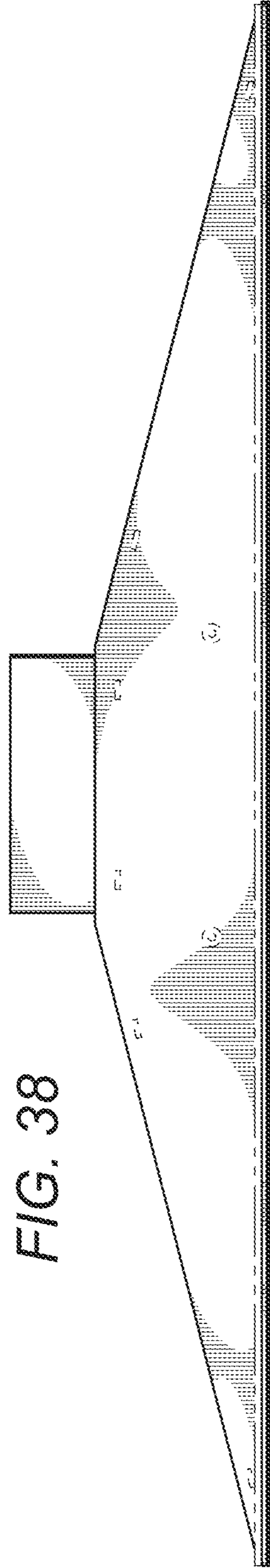


FIG. 38

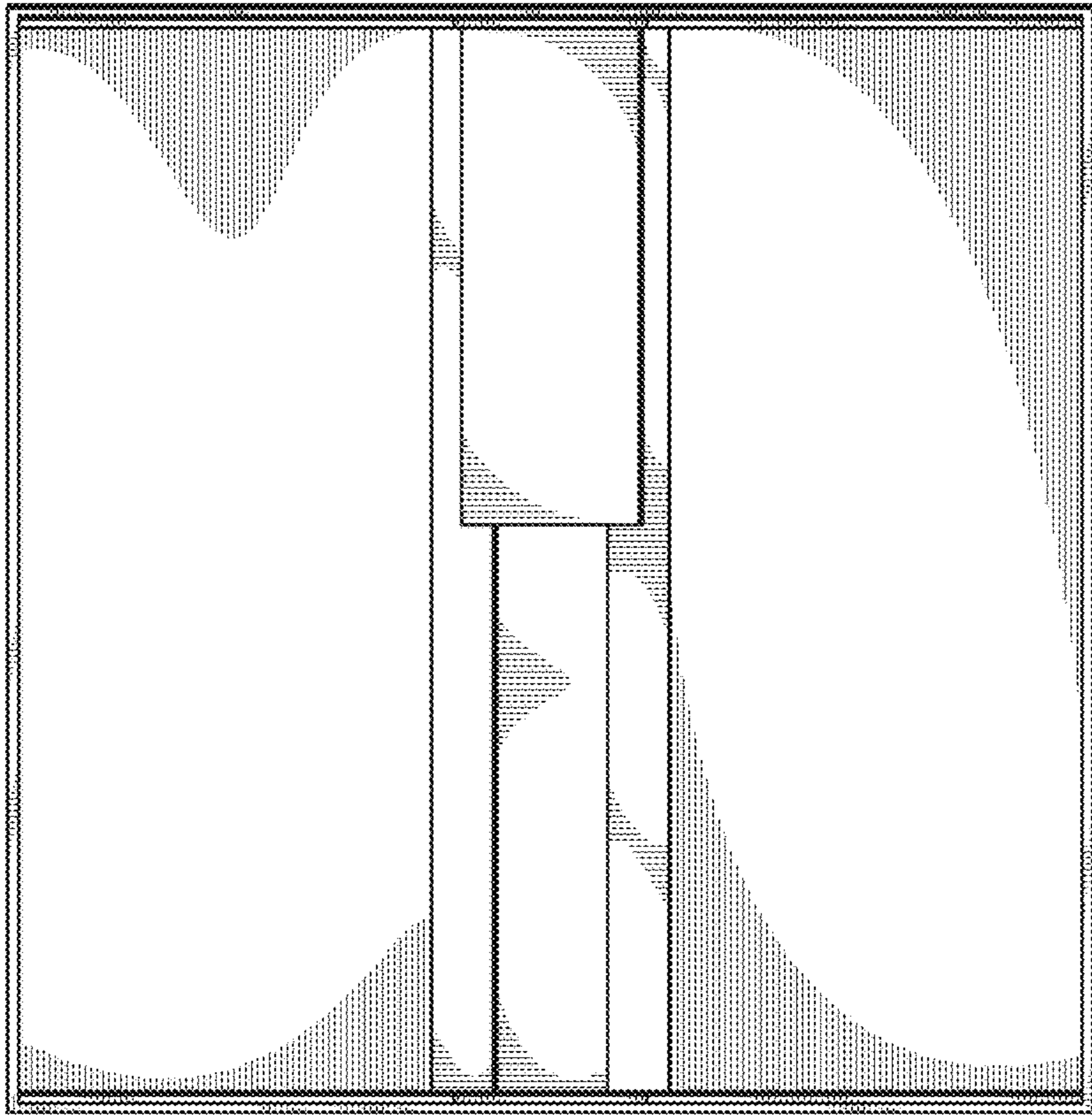


FIG. 39

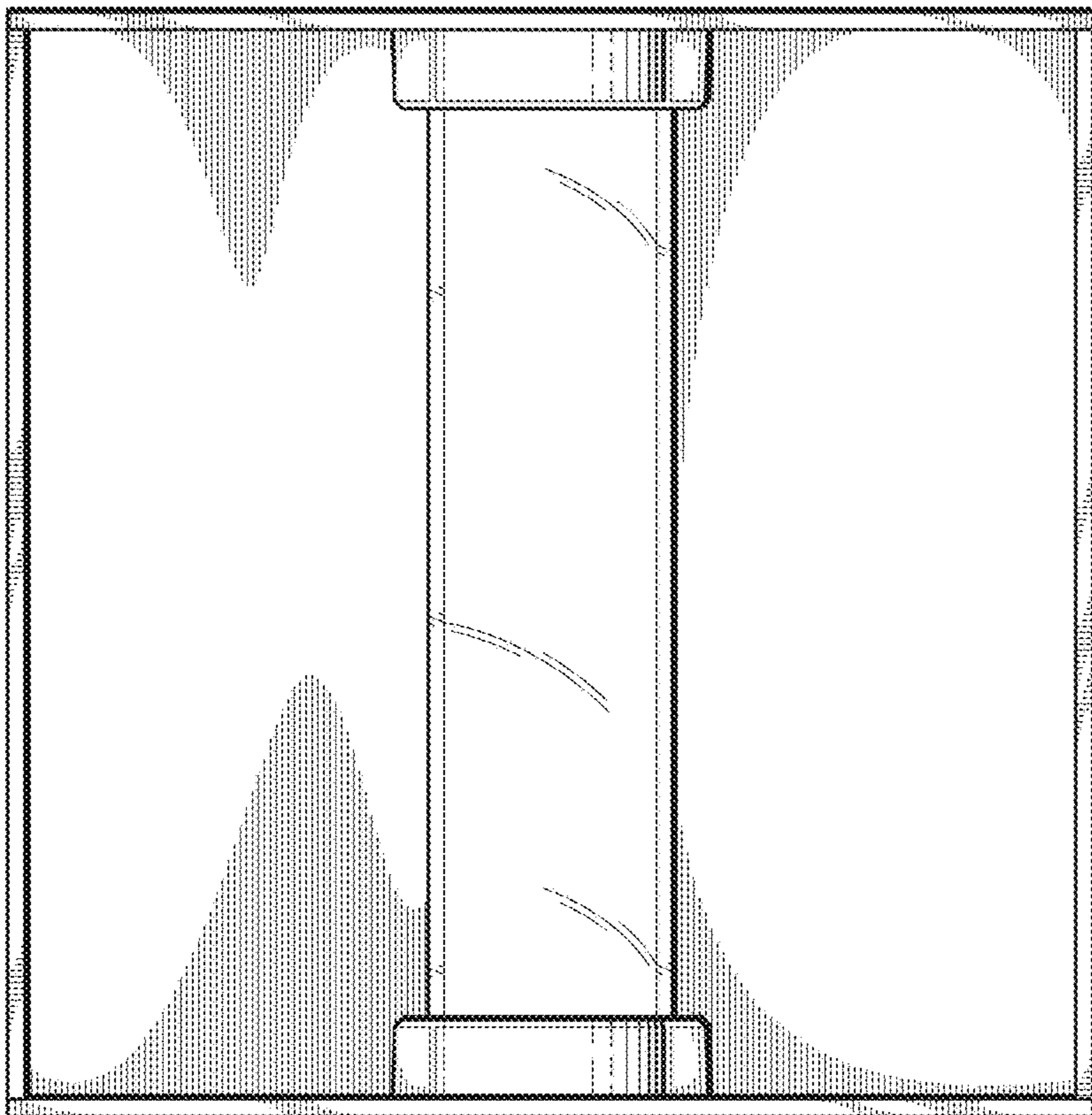


FIG. 40

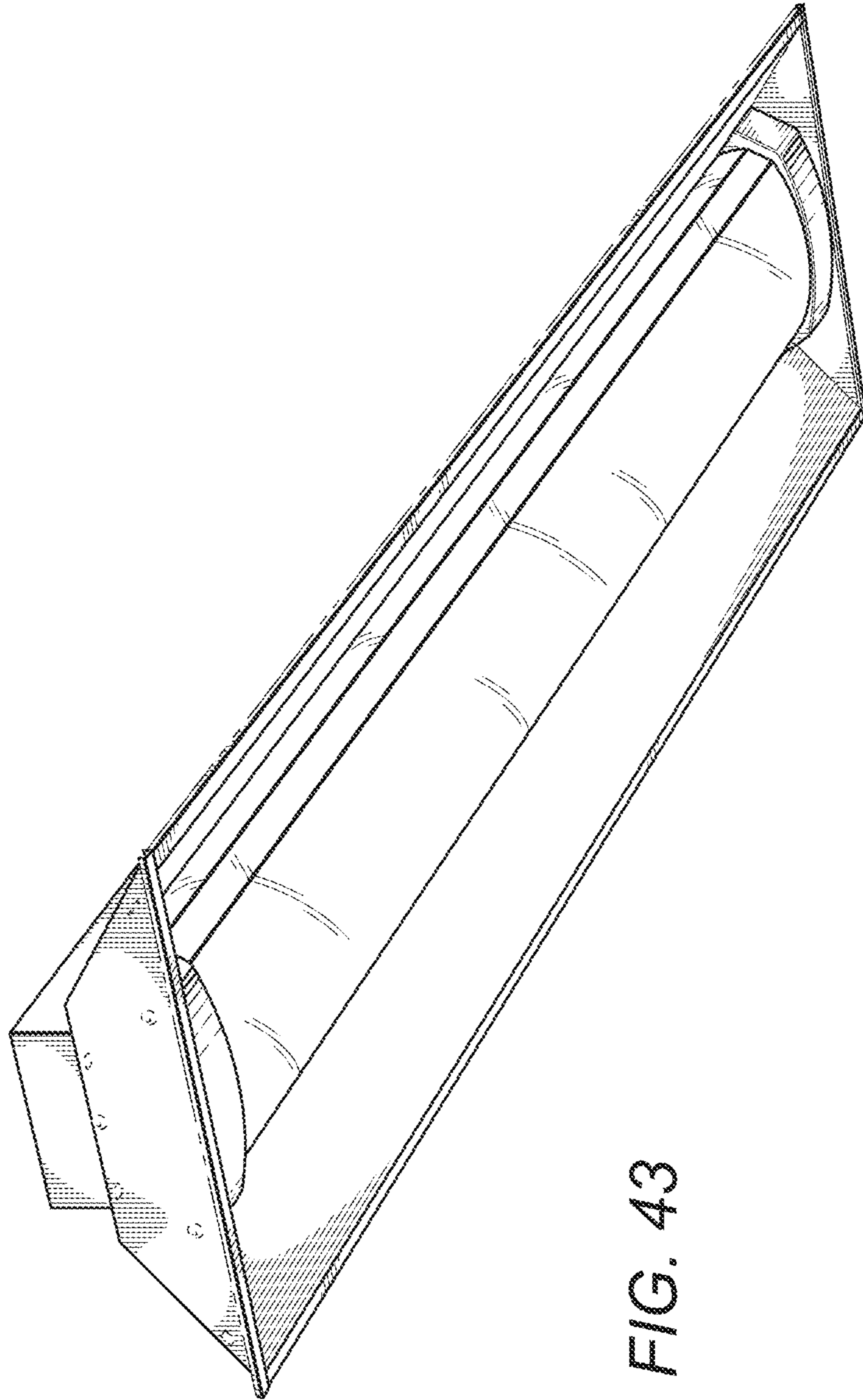


FIG. 43

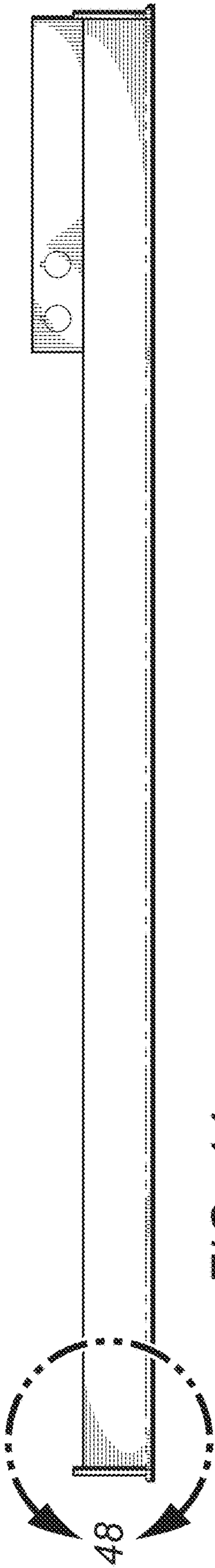


FIG. 44

FIG. 48

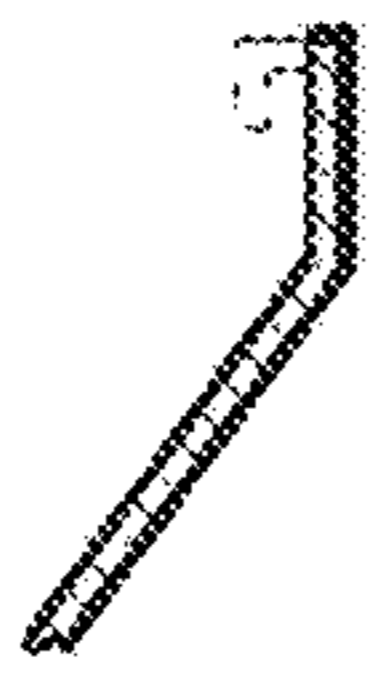
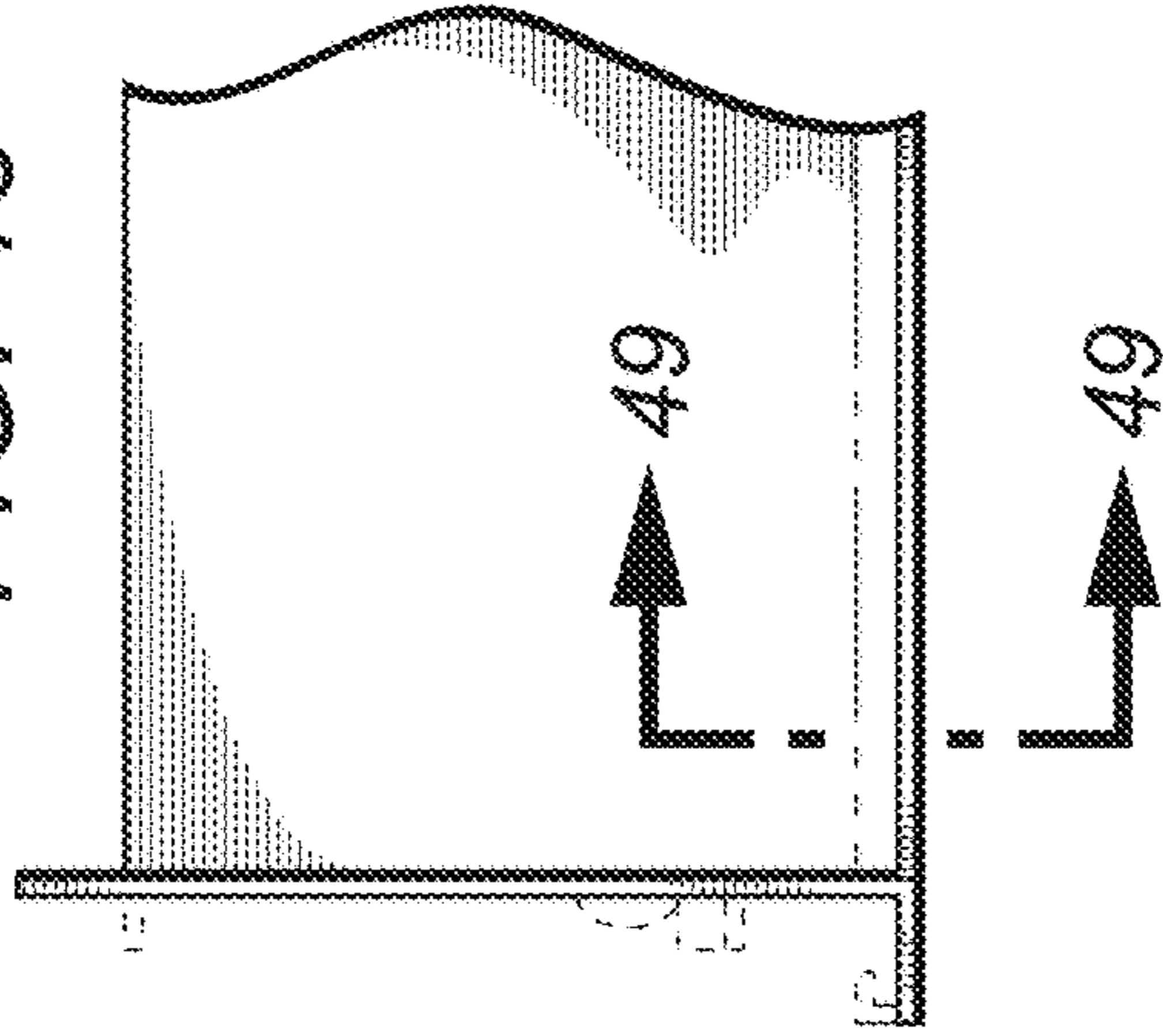
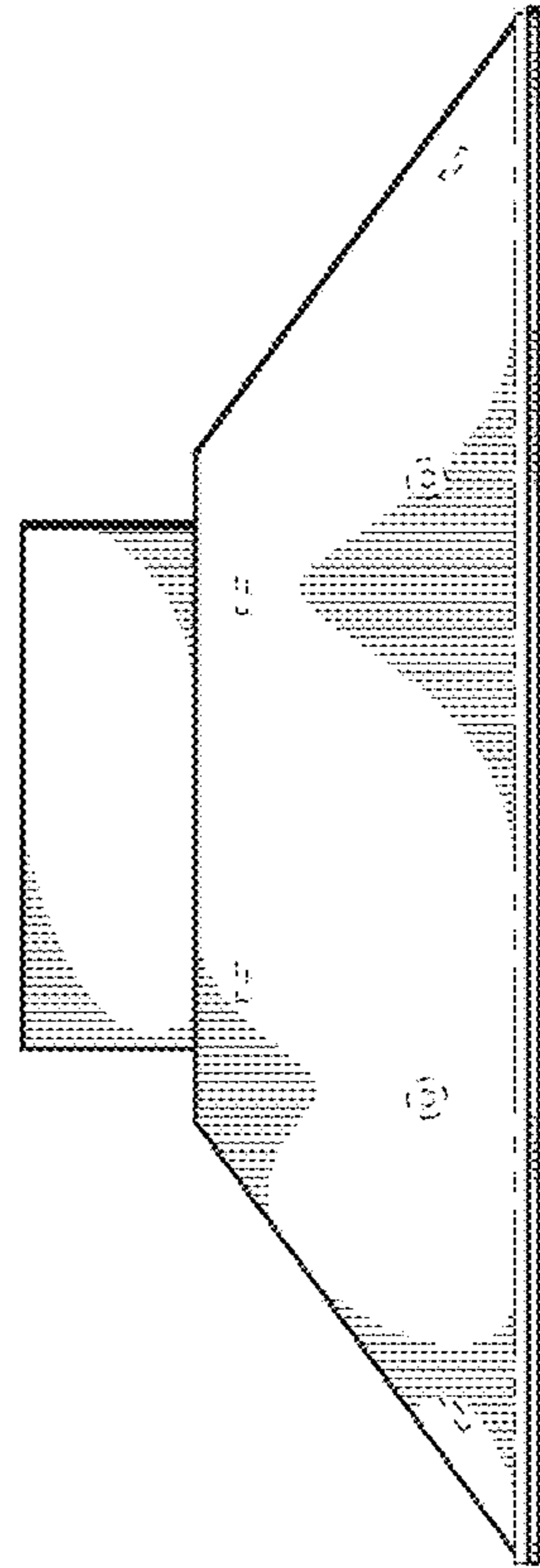


FIG. 49

FIG. 45



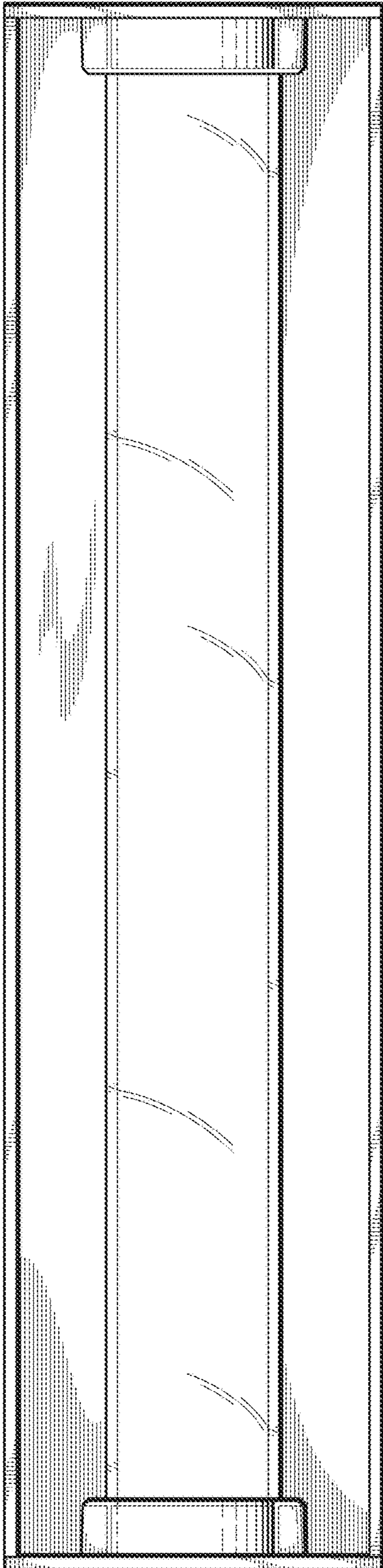
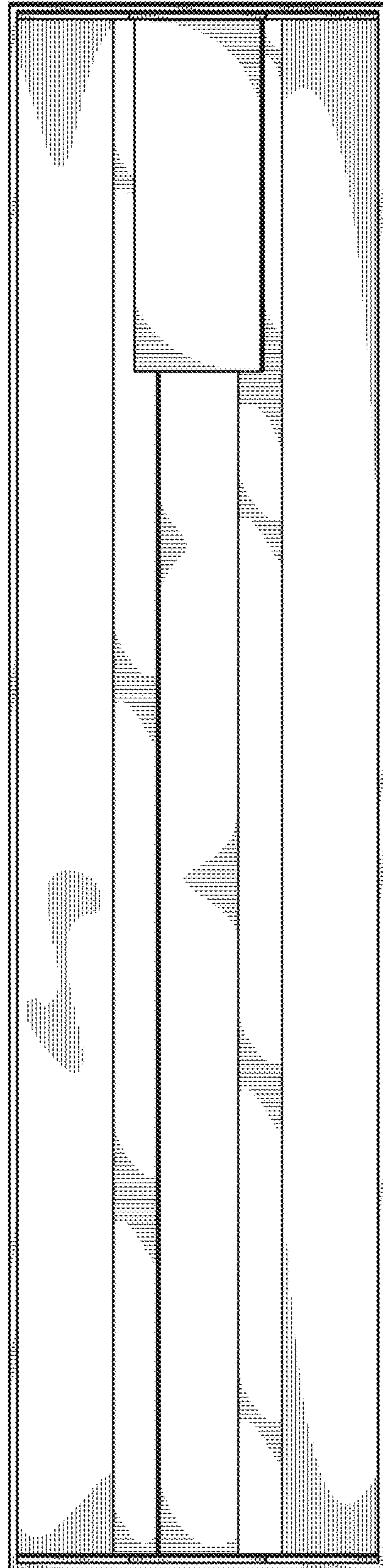


FIG. 46

FIG. 47



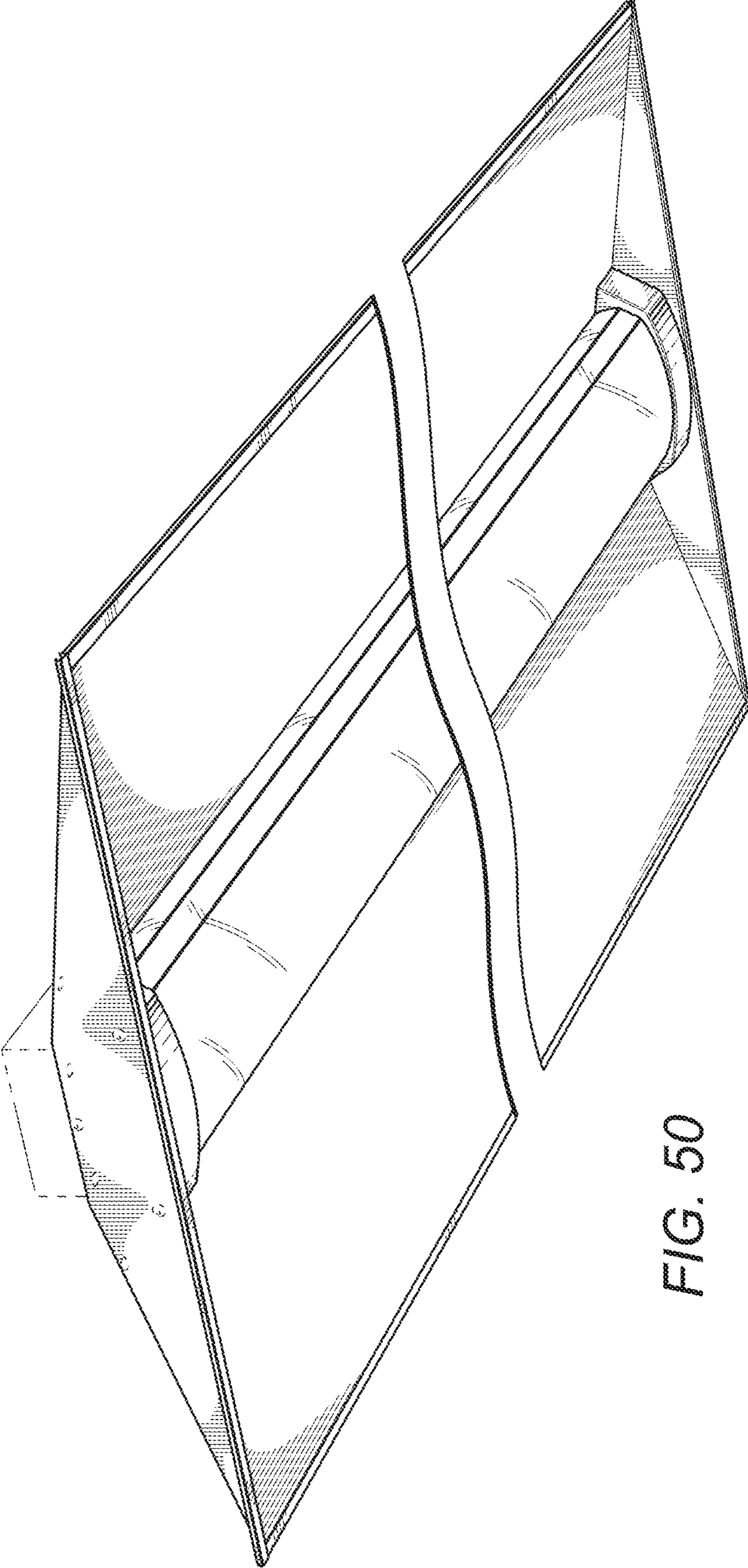
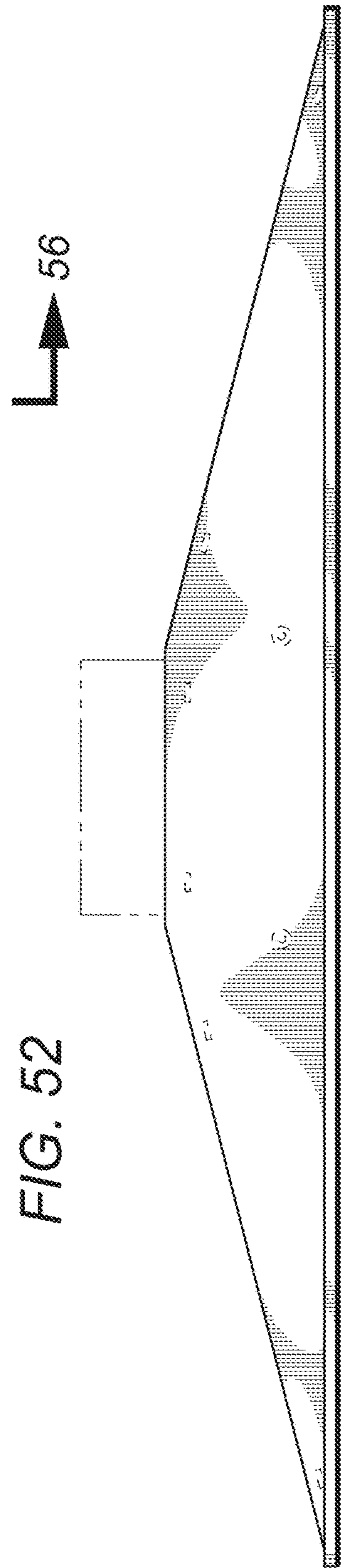
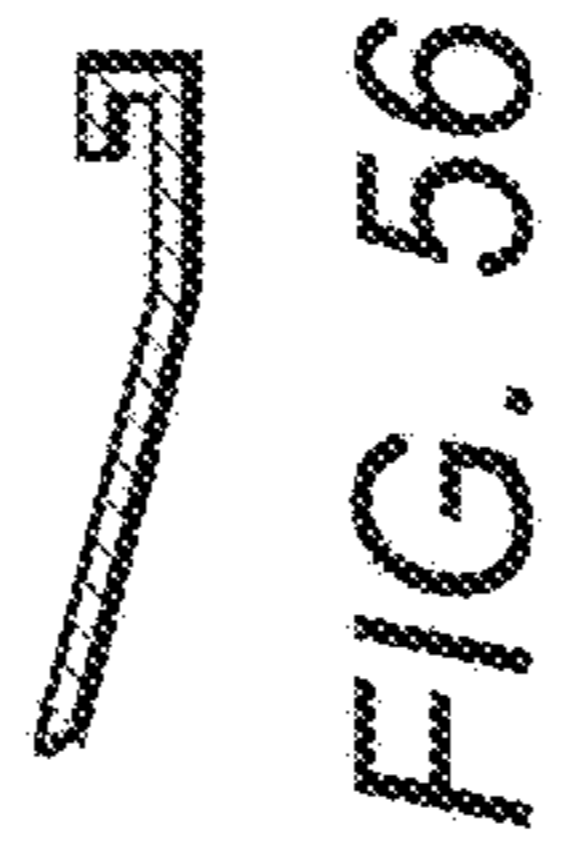
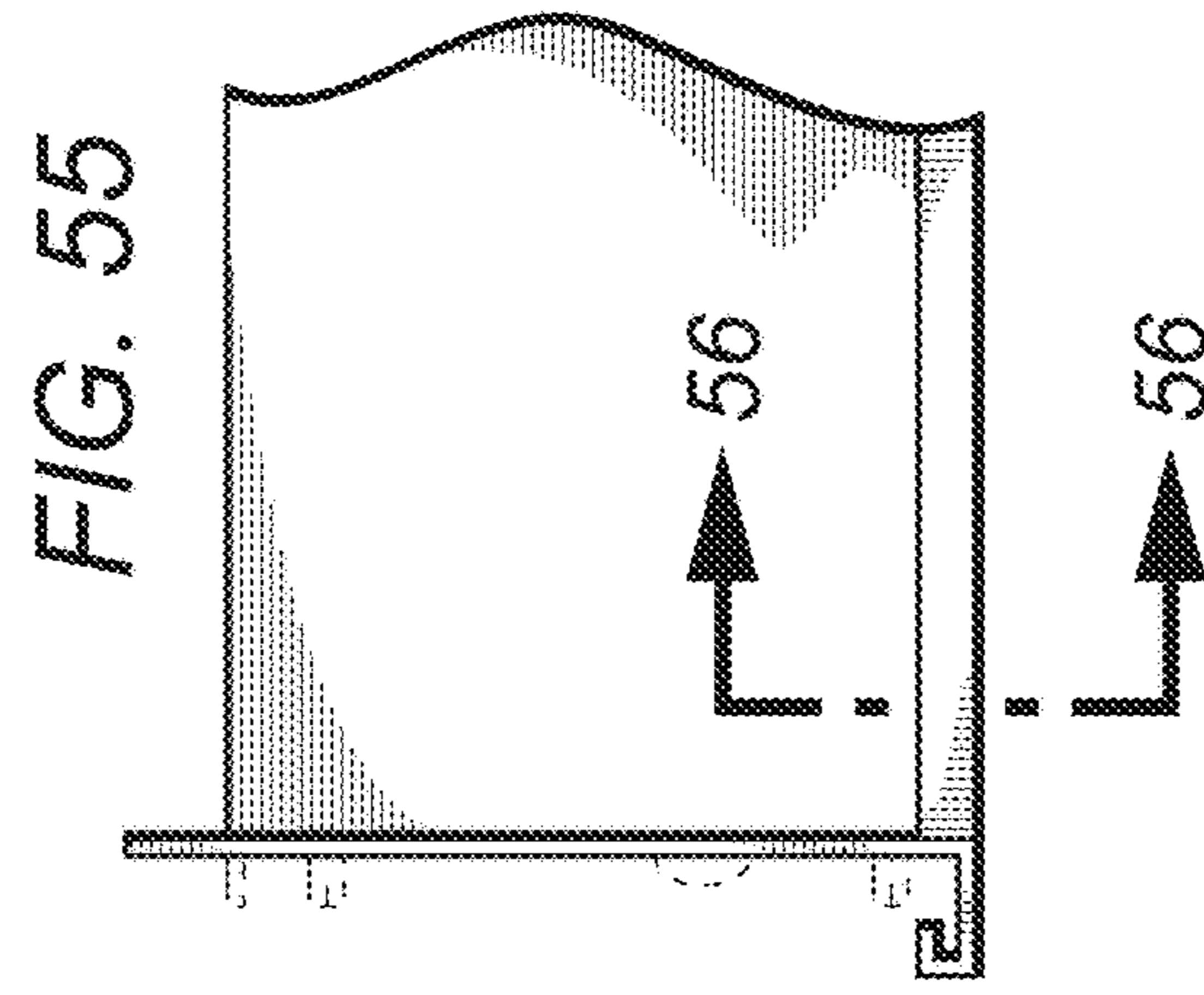
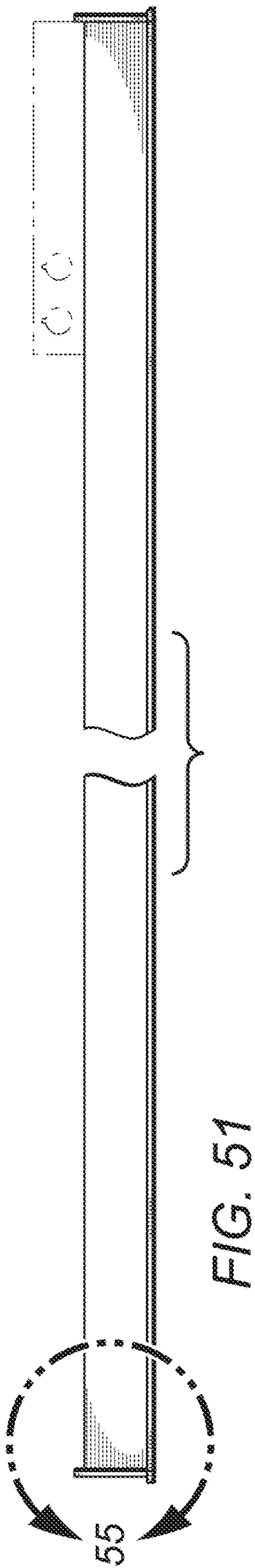


FIG. 50



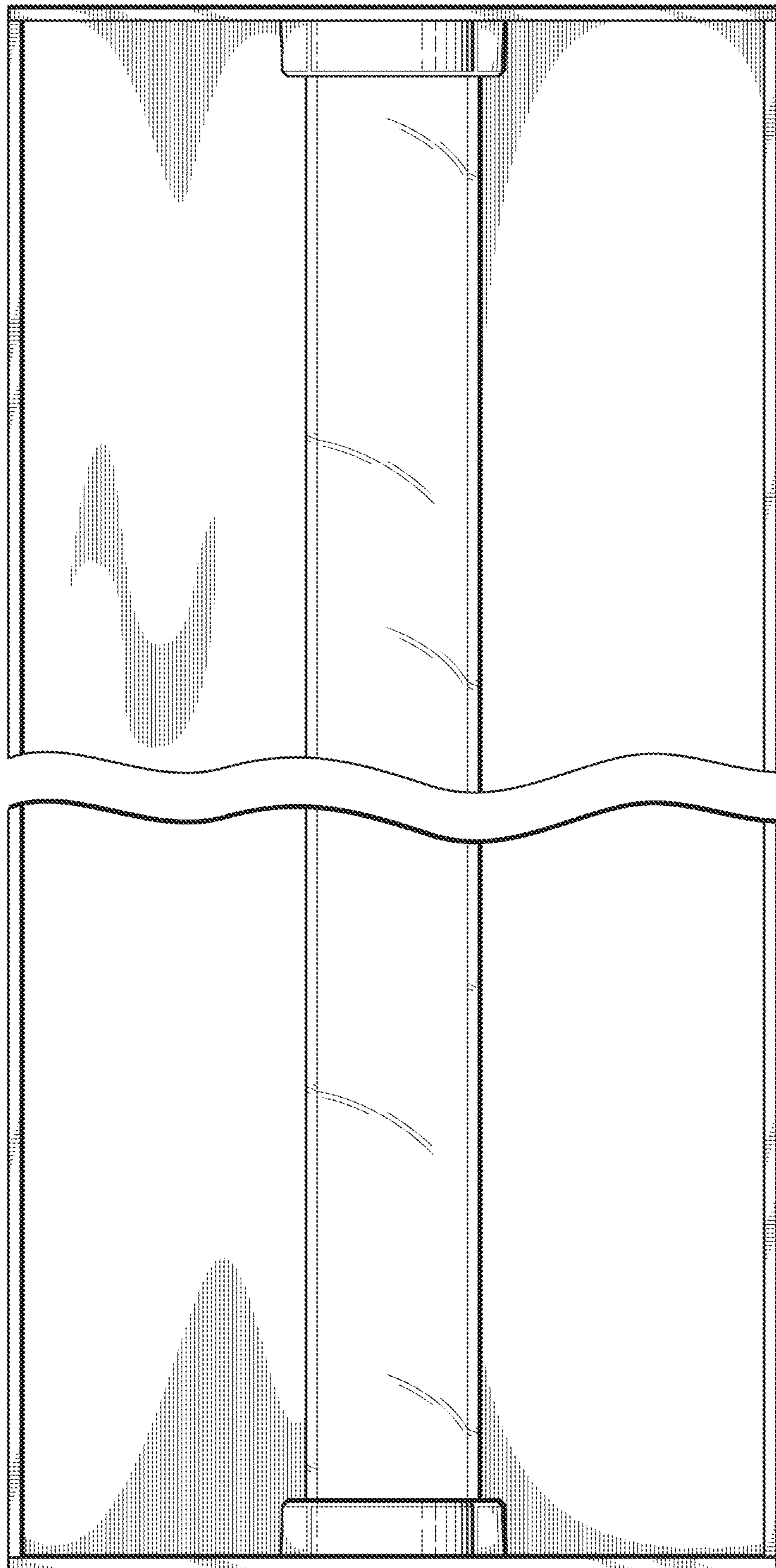


FIG. 53

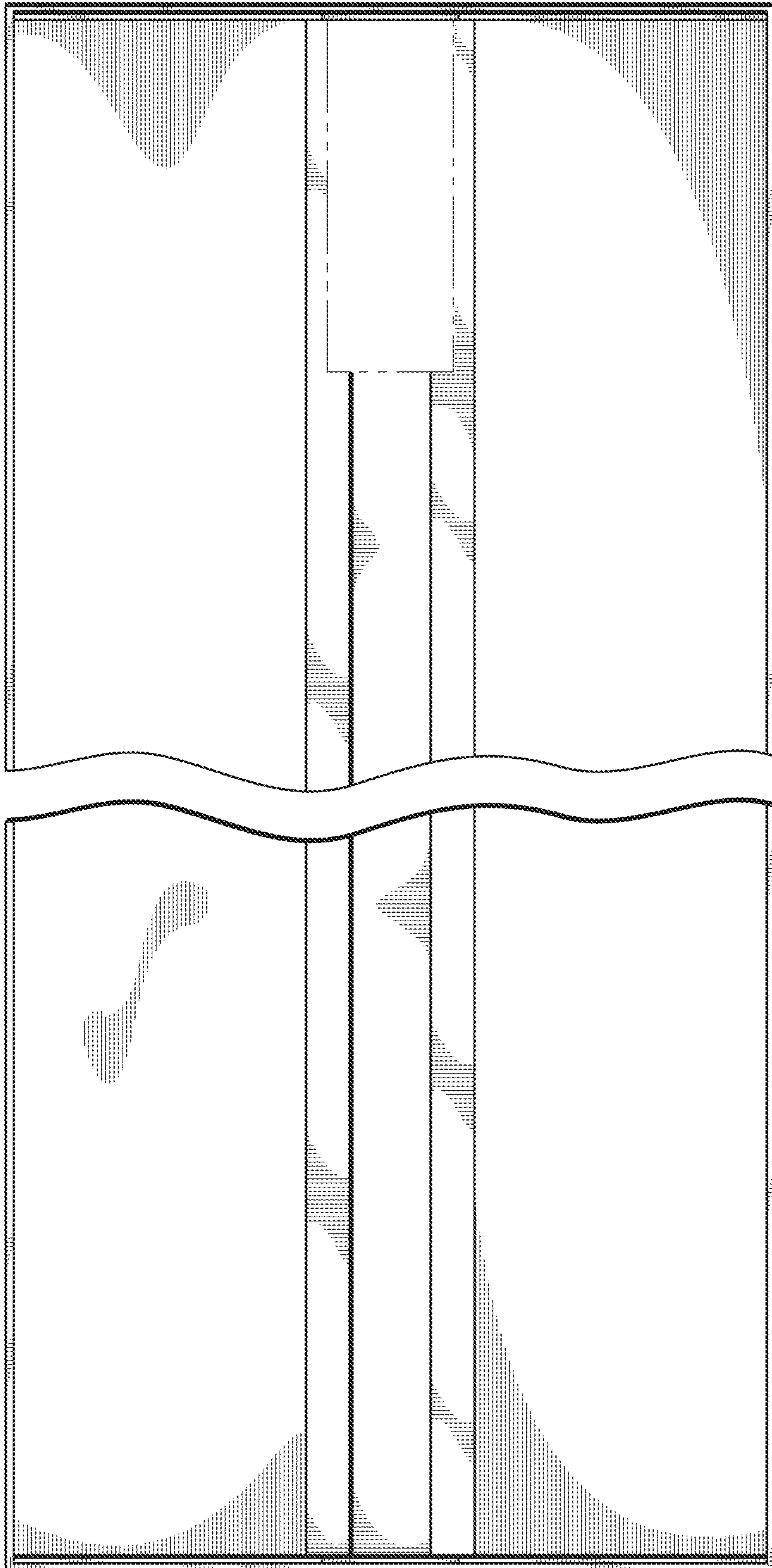
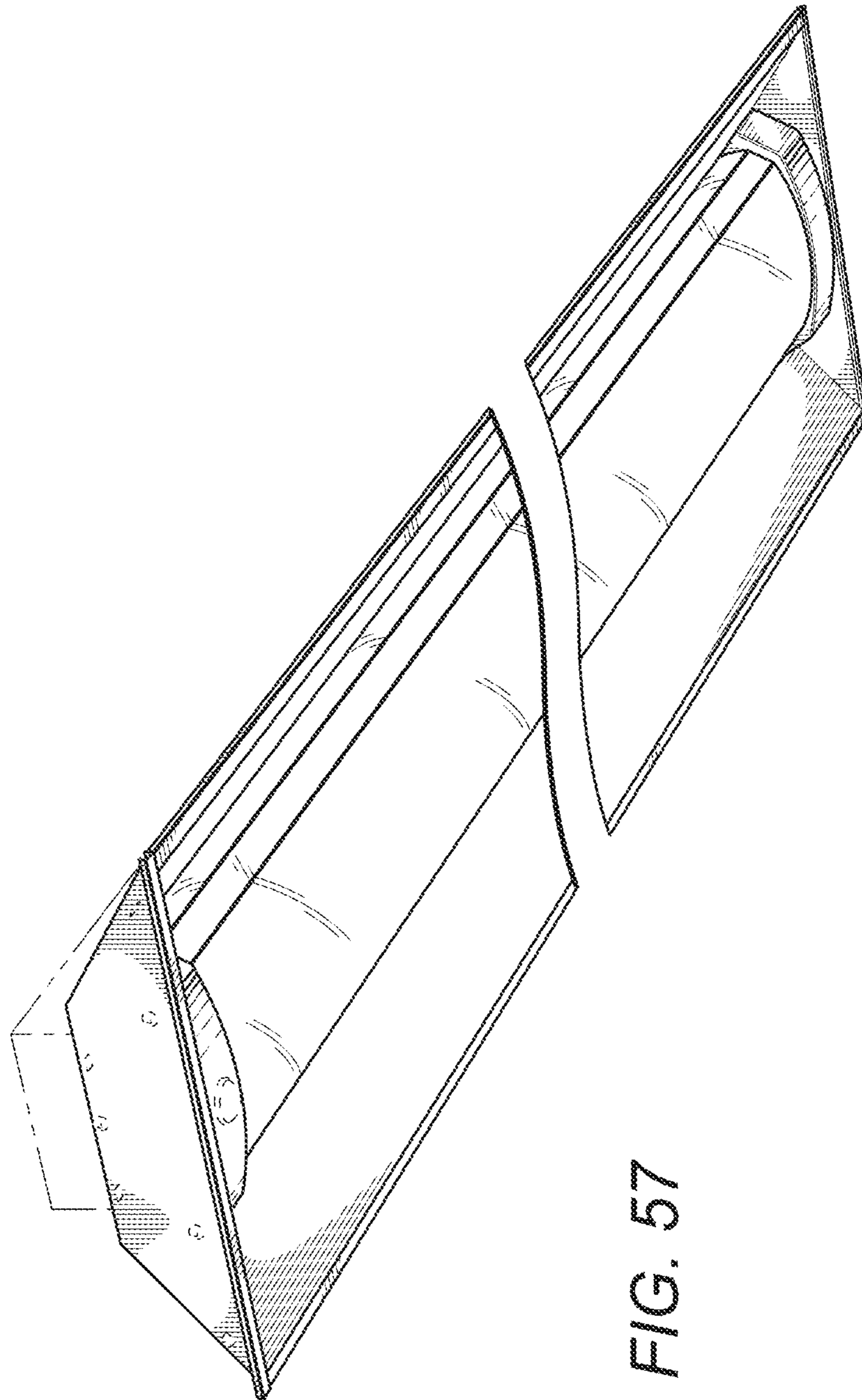
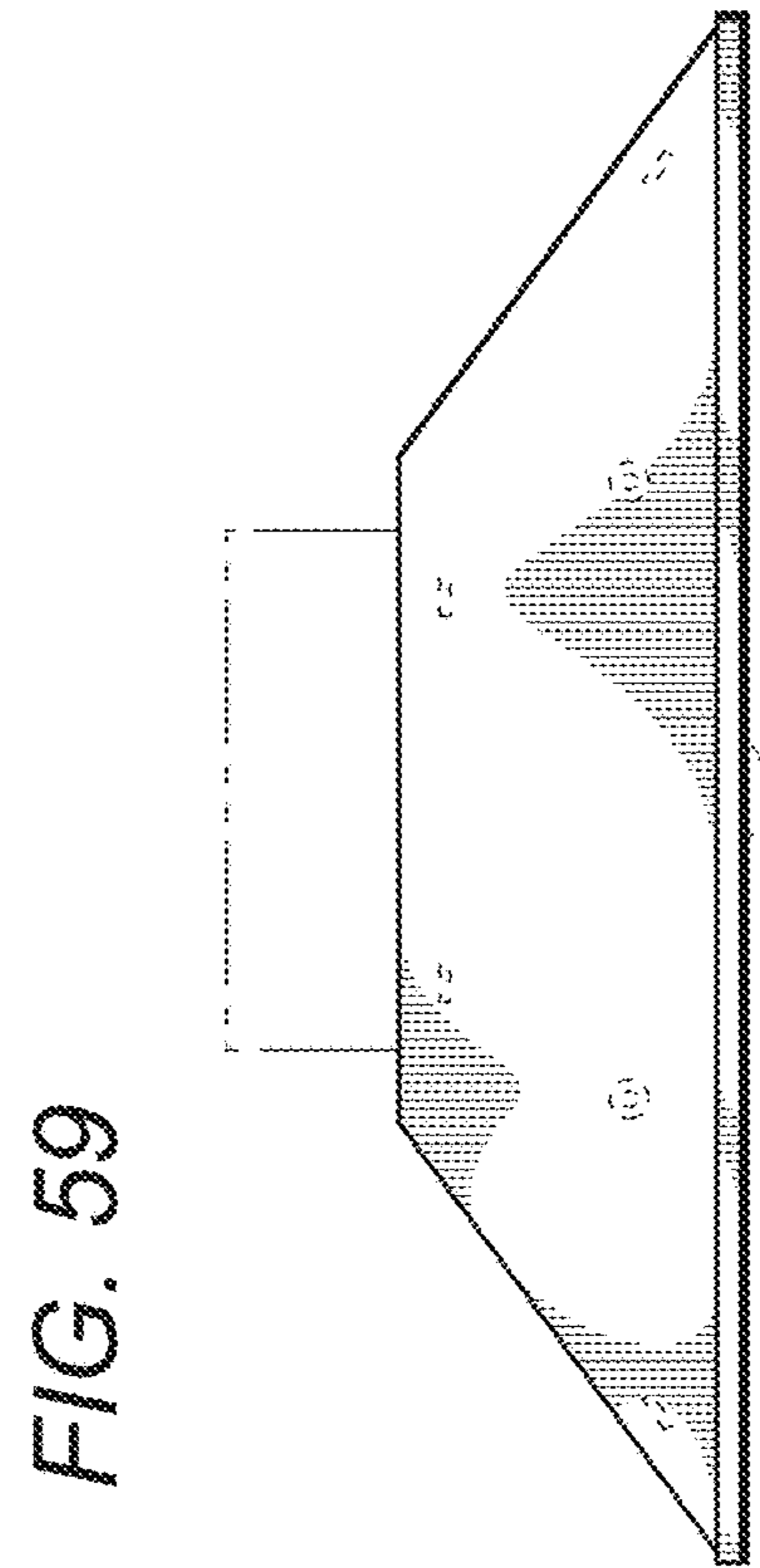
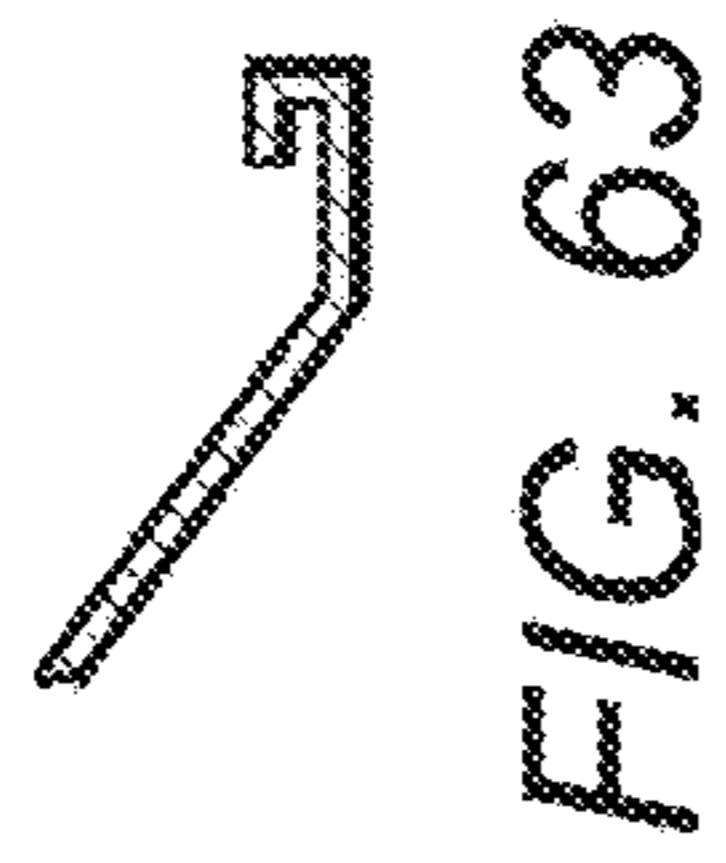
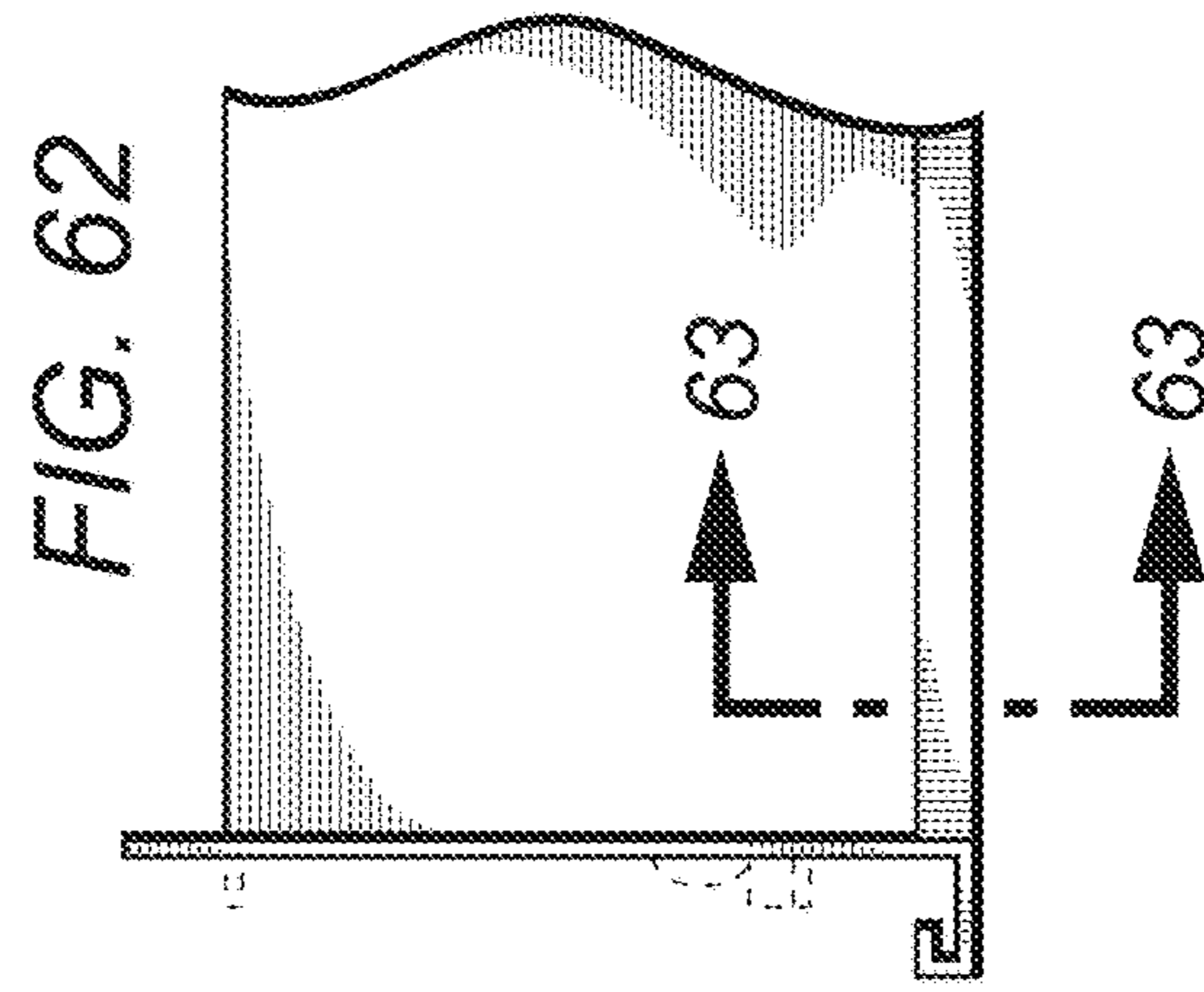
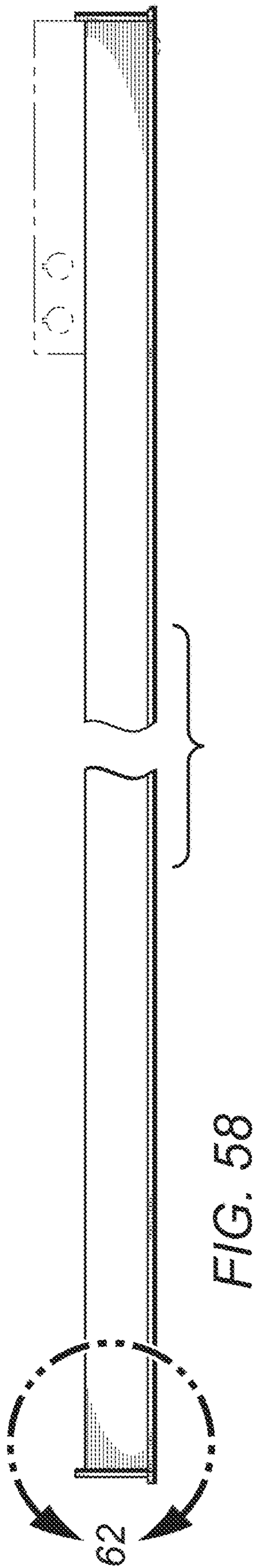


FIG. 54





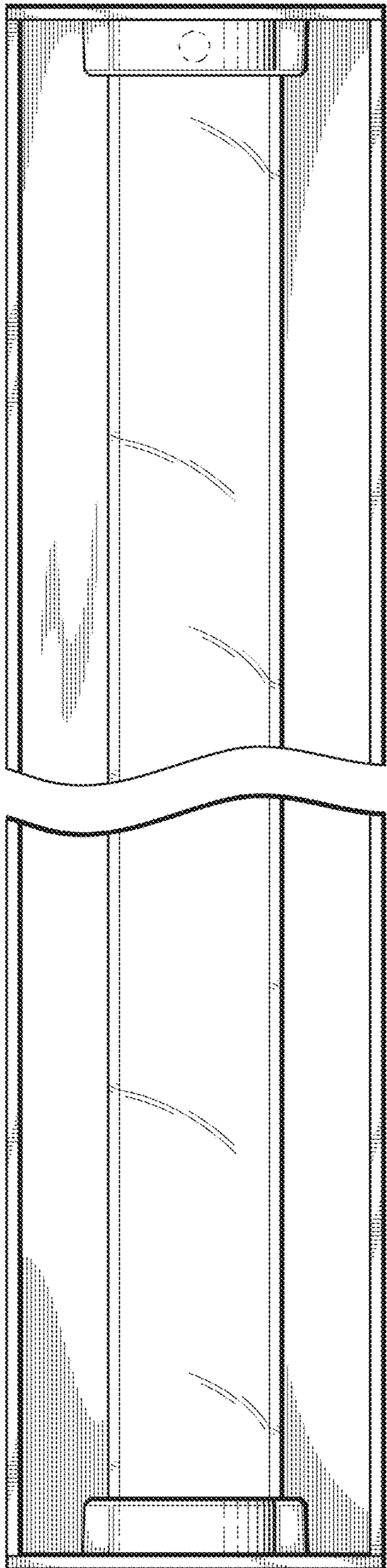


FIG. 60

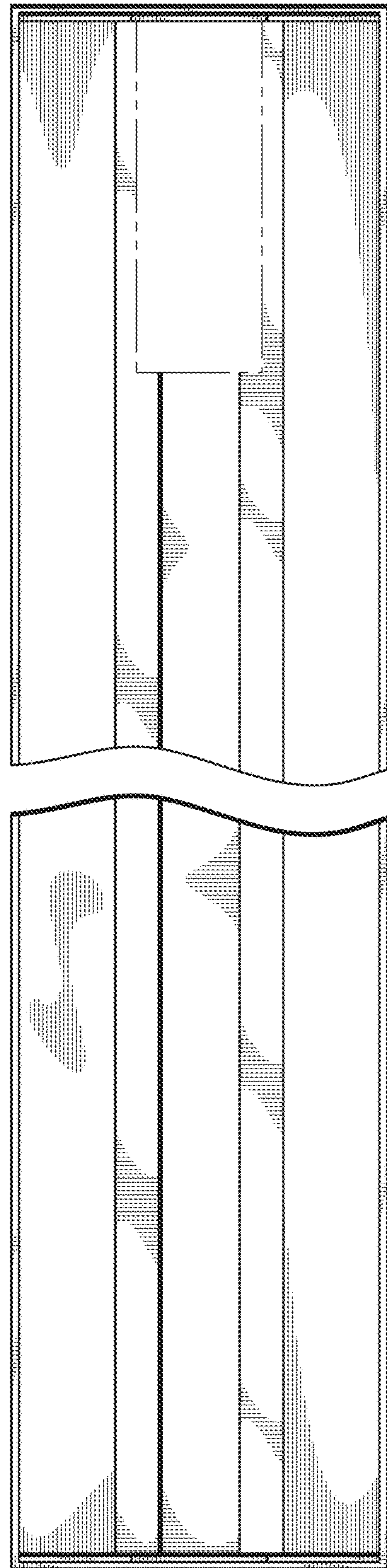


FIG. 61