



US00D786470S

(12) **United States Design Patent**
Largent et al.

(10) **Patent No.:** **US D786,470 S**

(45) **Date of Patent:** **** May 9, 2017**

(54) **LIGHT FIXTURE**

(71) Applicant: **JST Performance, LLC**, Gilbert, AZ
(US)

(72) Inventors: **Christopher P. Largent**, Phoenix, AZ
(US); **Stephen P. Adams**, Mesa, AZ
(US)

(73) Assignee: **JST Performance, LLC**, Gilbert, AZ
(US)

(**) Term: **15 Years**

(21) Appl. No.: **29/560,227**

(22) Filed: **Apr. 4, 2016**

(51) **LOC (10) Cl.** **26-05**

(52) **U.S. Cl.**
USPC **D26/72**

(58) **Field of Classification Search**

USPC D26/24, 63, 72, 80, 84, 88, 89, 118, 152
CPC F21S 8/04; F21S 8/026; F21S 8/033; F21S
8/036; F21S 8/03; F21S 8/043; F21S
8/046; F21S 8/06; F21S 8/061; F21S
8/063; F21S 8/068; F21S 13/02; F21V
21/04; F21V 17/02; F21V 17/04; F21V
17/164

See application file for complete search history.

(56) **References Cited**

U.S. PATENT DOCUMENTS

D189,428 S *	12/1960	Salvia	D26/61
D220,118 S *	3/1971	Tawil et al.	D26/63
D321,764 S *	11/1991	Von Klier	D26/63
D357,548 S *	4/1995	Mattijssen	D26/63
D591,883 S *	5/2009	Gill	D26/63
7,780,318 B2 *	8/2010	Xiao	F21V 21/30 248/200
D640,821 S *	6/2011	Kocks	D26/89

D642,721 S *	8/2011	Li	D26/63
D645,594 S *	9/2011	Grawe	D26/63
D679,440 S *	4/2013	Smith	D26/76
D679,853 S *	4/2013	Chiou	D26/63
D689,234 S *	9/2013	Zhang	D26/72
D702,865 S *	4/2014	Yuen	D26/63
D743,611 S *	11/2015	Wouters	D26/80
2010/0296287 A1 *	11/2010	Huang	F21V 15/013 362/249.02
2012/0087118 A1 *	4/2012	Bailey	F21V 29/507 362/235
2013/0308325 A1 *	11/2013	Verfueth	F21V 21/30 362/371

* cited by examiner

Primary Examiner — Clare E Heflin

(57) **CLAIM**

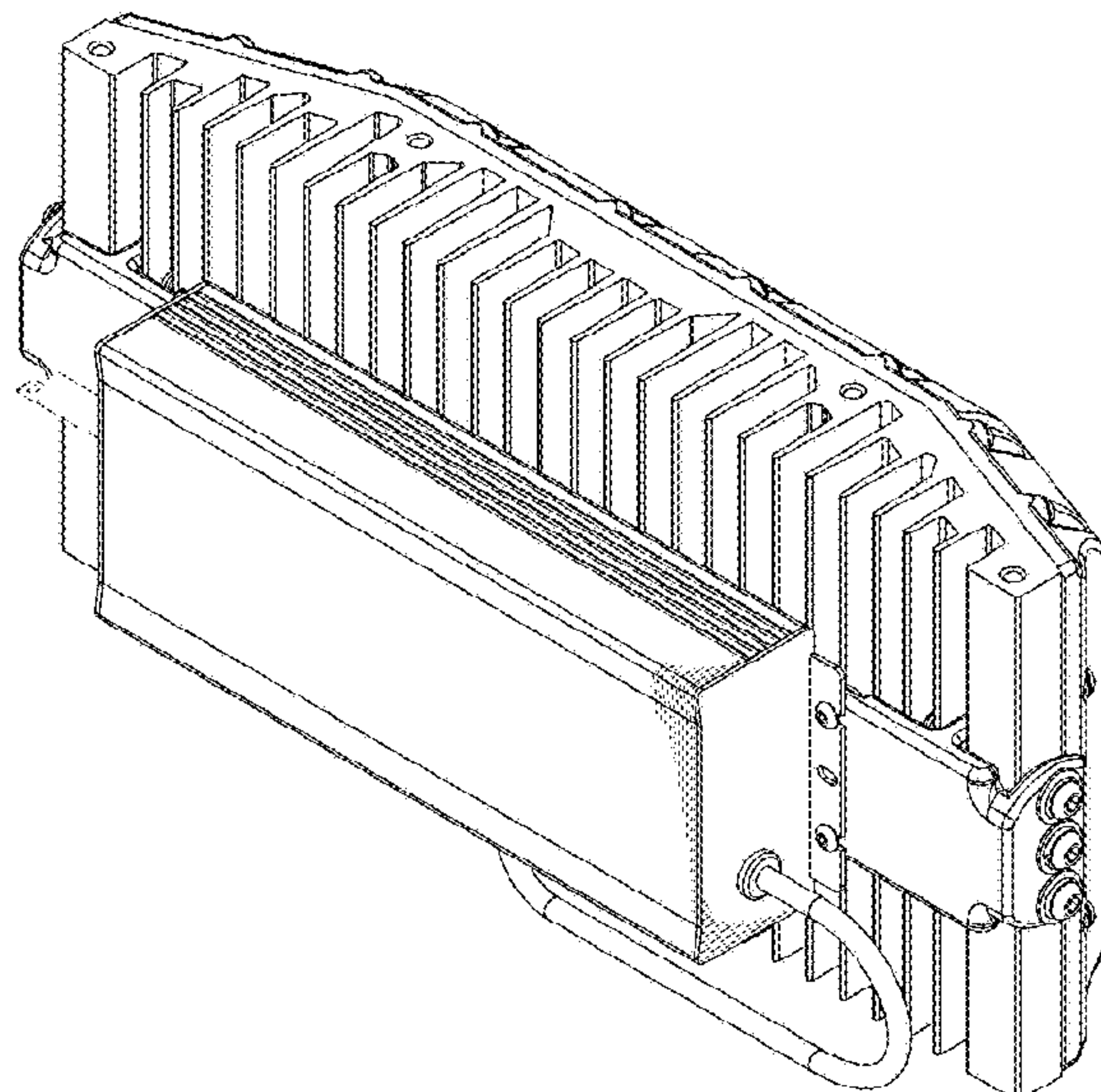
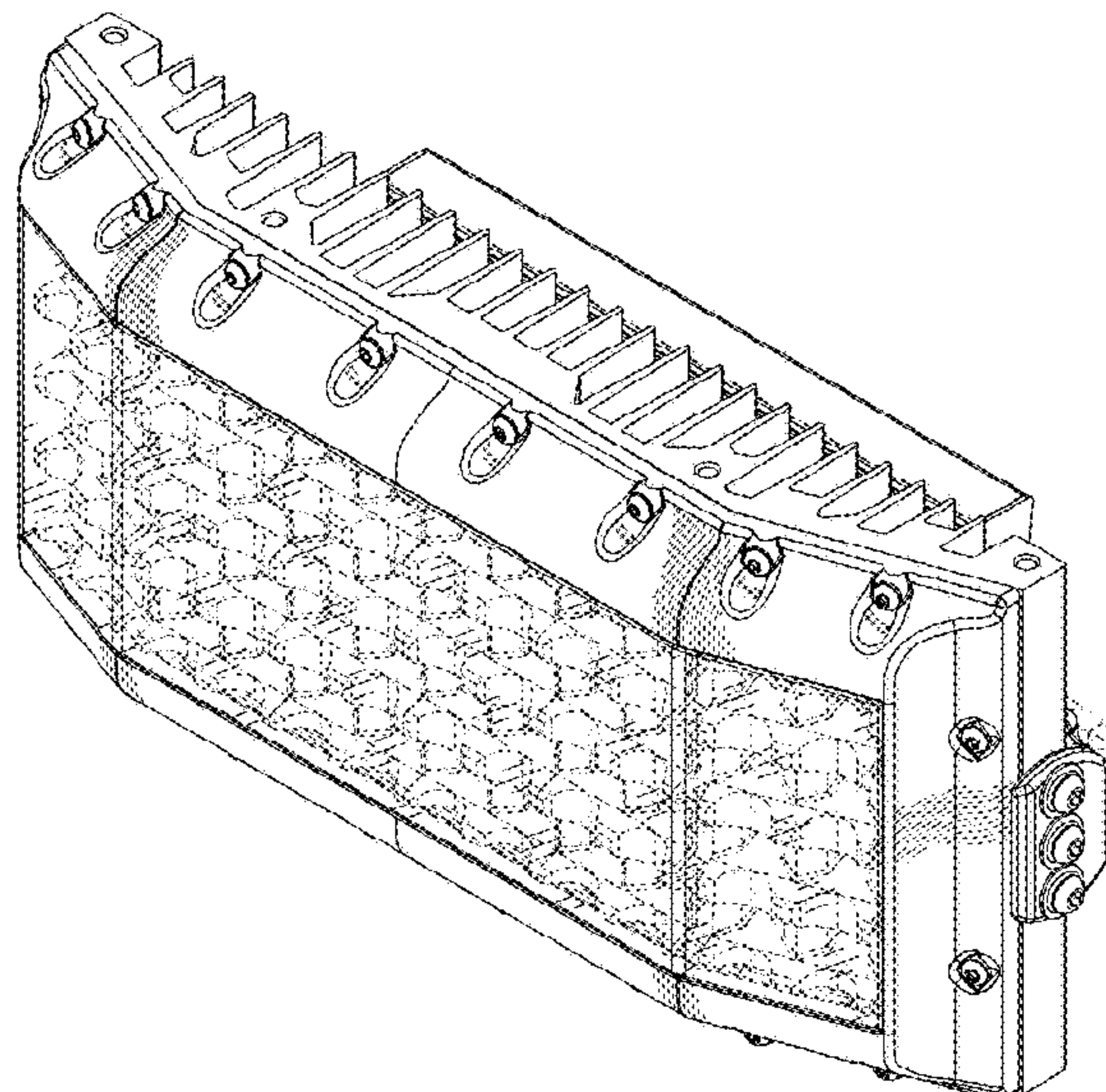
The ornamental design for a light fixture, as shown and described.

DESCRIPTION

FIG. 1 is a front, top, right, perspective view a light fixture showing our new design;
FIG. 2 is a front, top, left, perspective view thereof;
FIG. 3 is a front, bottom, right, perspective view thereof;
FIG. 4 is a front, bottom, left, perspective view thereof;
FIG. 5 is a back, top, right, perspective view thereof;
FIG. 6 is a back, top, left, perspective view thereof;
FIG. 7 is a back, bottom, right, perspective view thereof;
FIG. 8 is a back, bottom, left perspective view thereof;
FIG. 9 is a front side view thereof;
FIG. 10 is a back side view thereof;
FIG. 11 is a right side view thereof;
FIG. 12 is a left side view thereof;
FIG. 13 is a top view thereof; and,
FIG. 14 is a bottom view thereof.

The broken lines in the drawings illustrate portions of the light fixture which form no part of the claimed design.

1 Claim, 14 Drawing Sheets



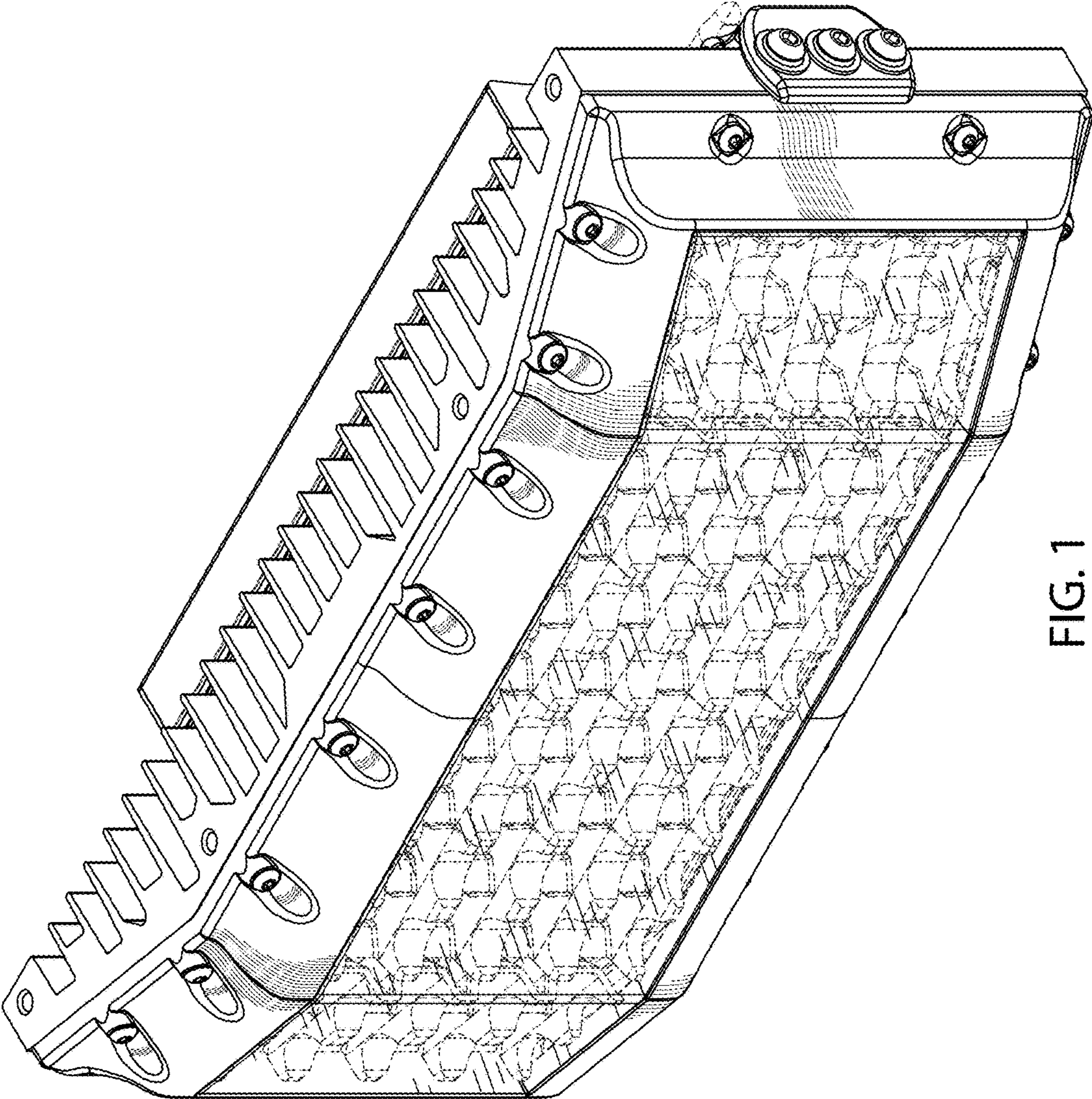


FIG. 1

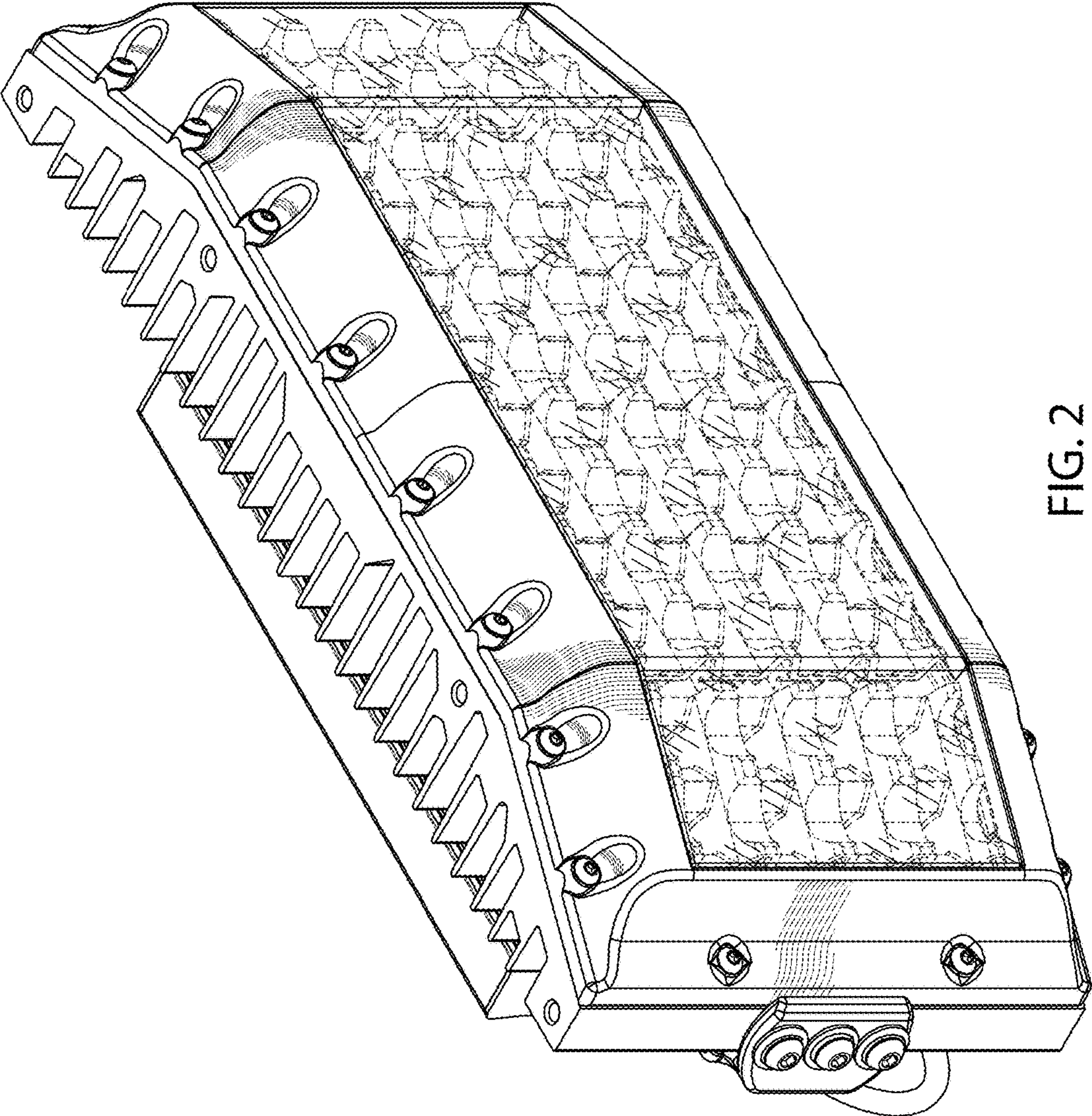


FIG. 2

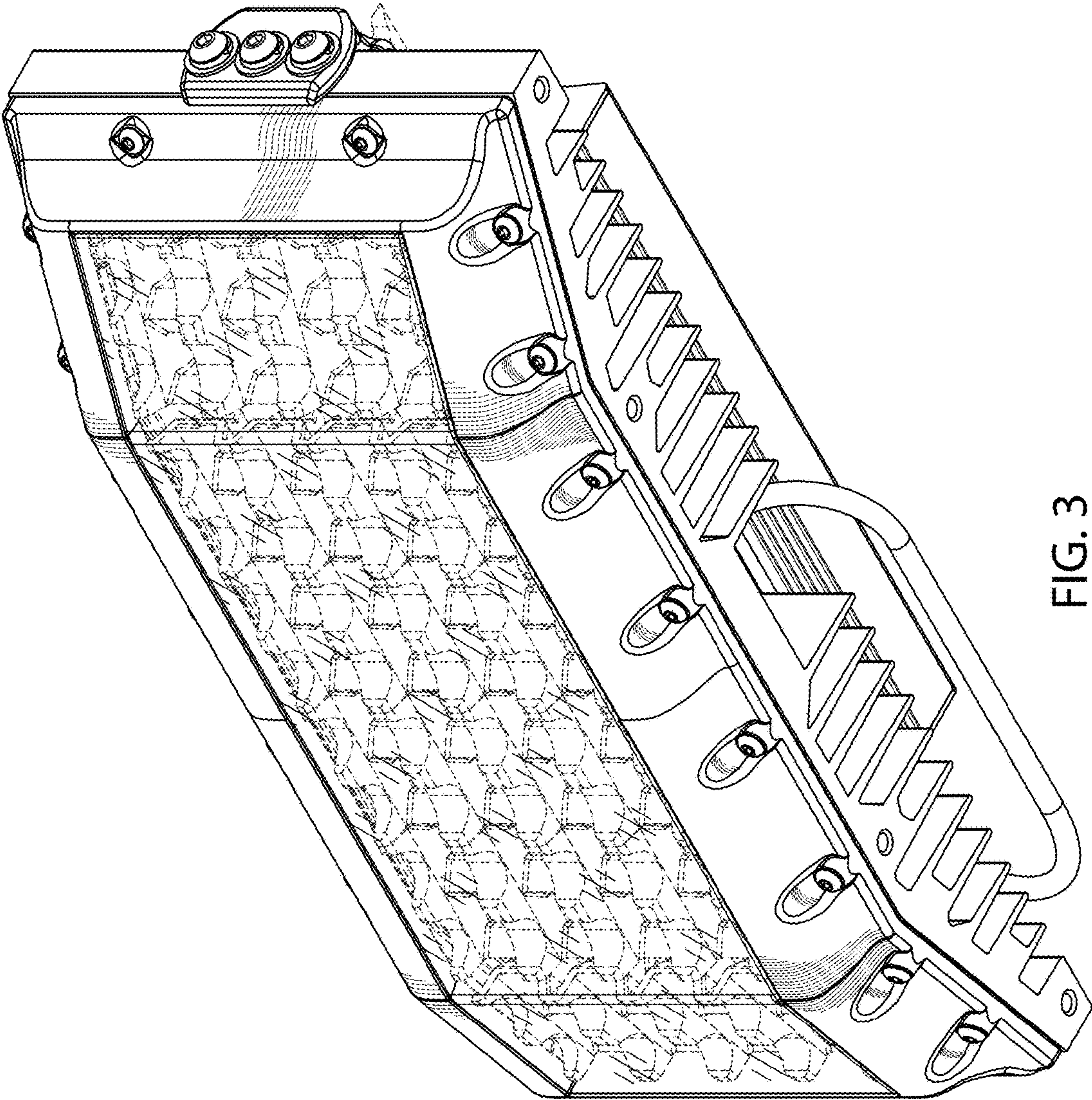


FIG. 3

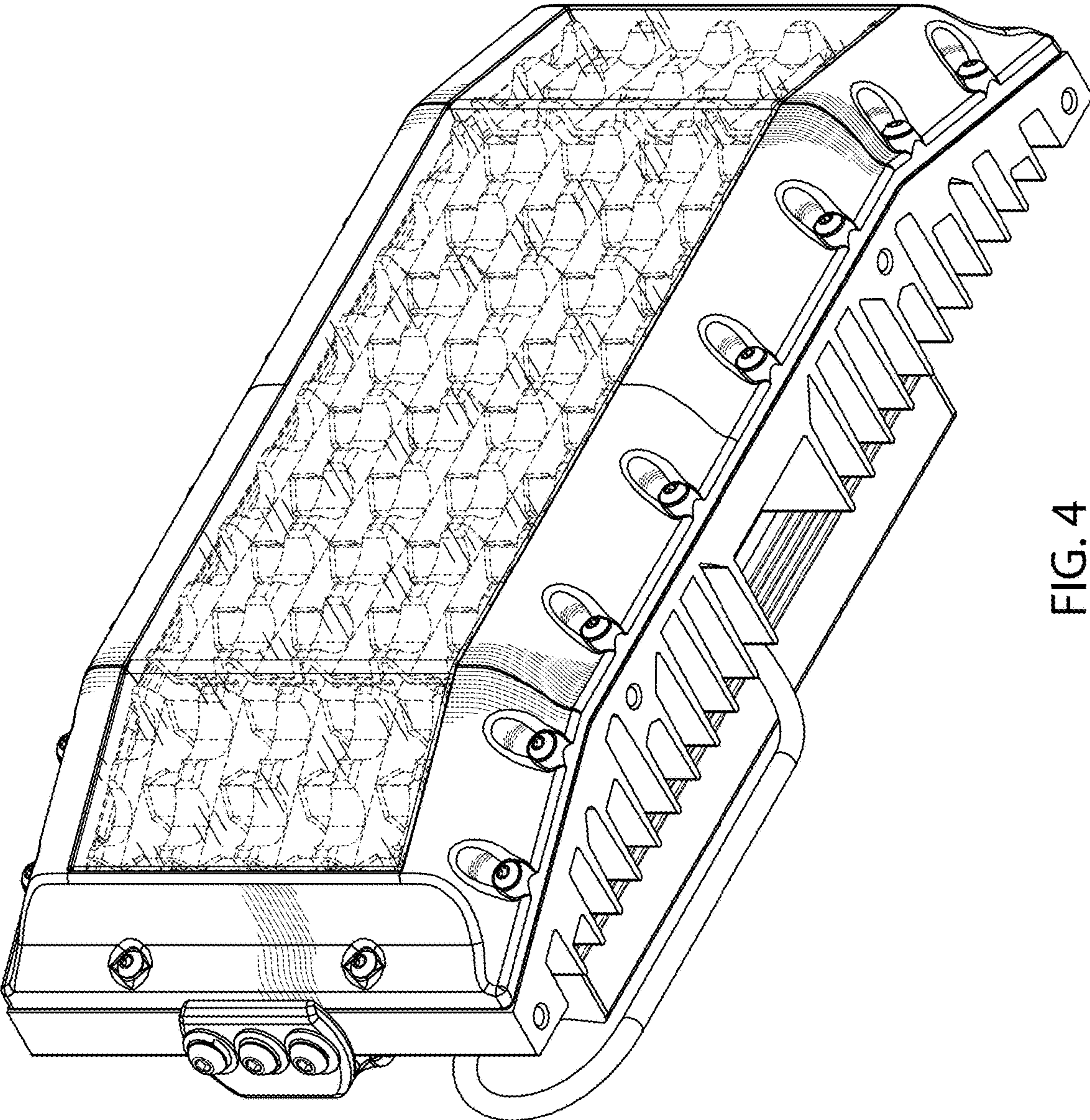


FIG. 4

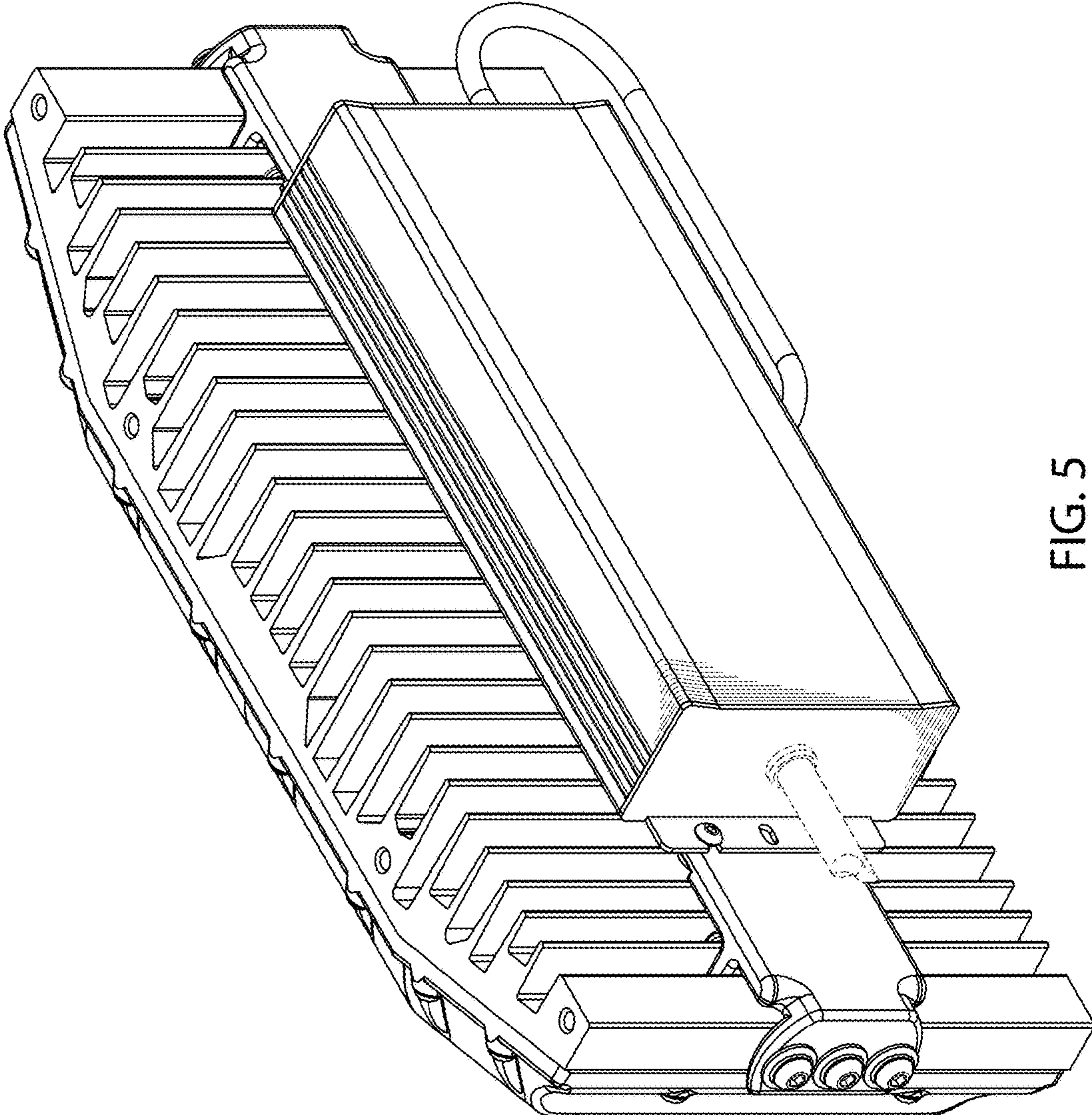


FIG. 5

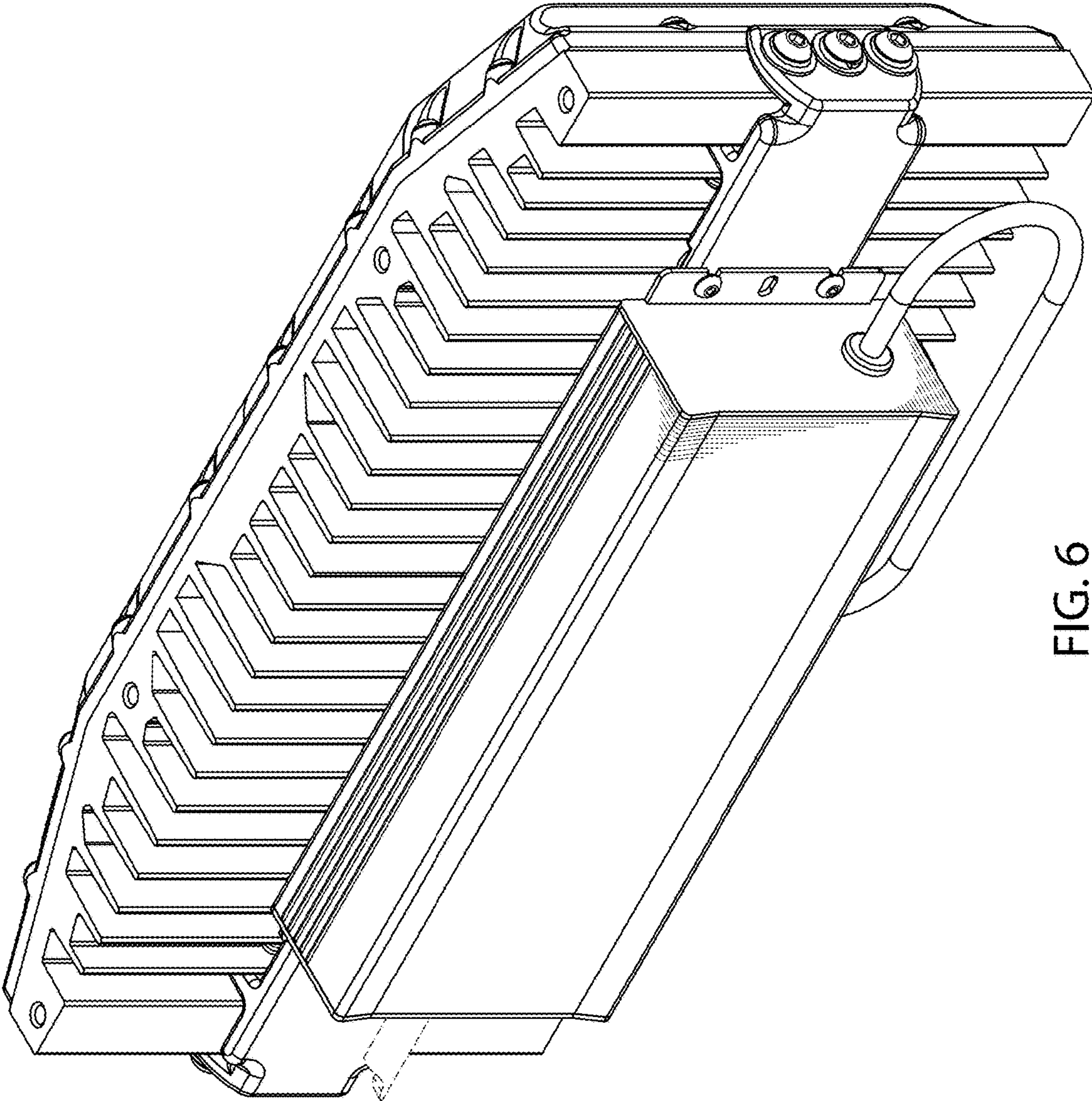


FIG. 6

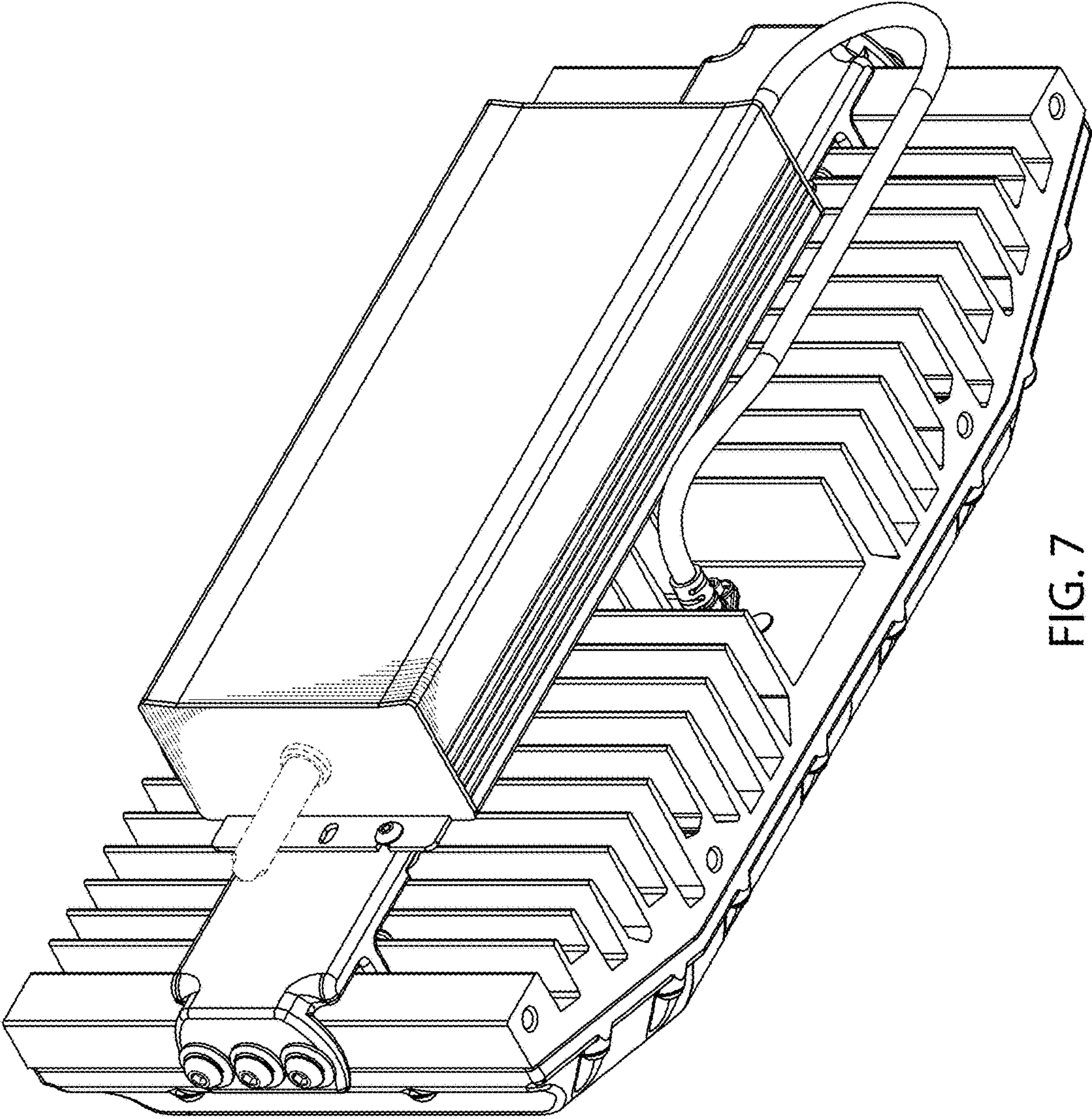


FIG. 7

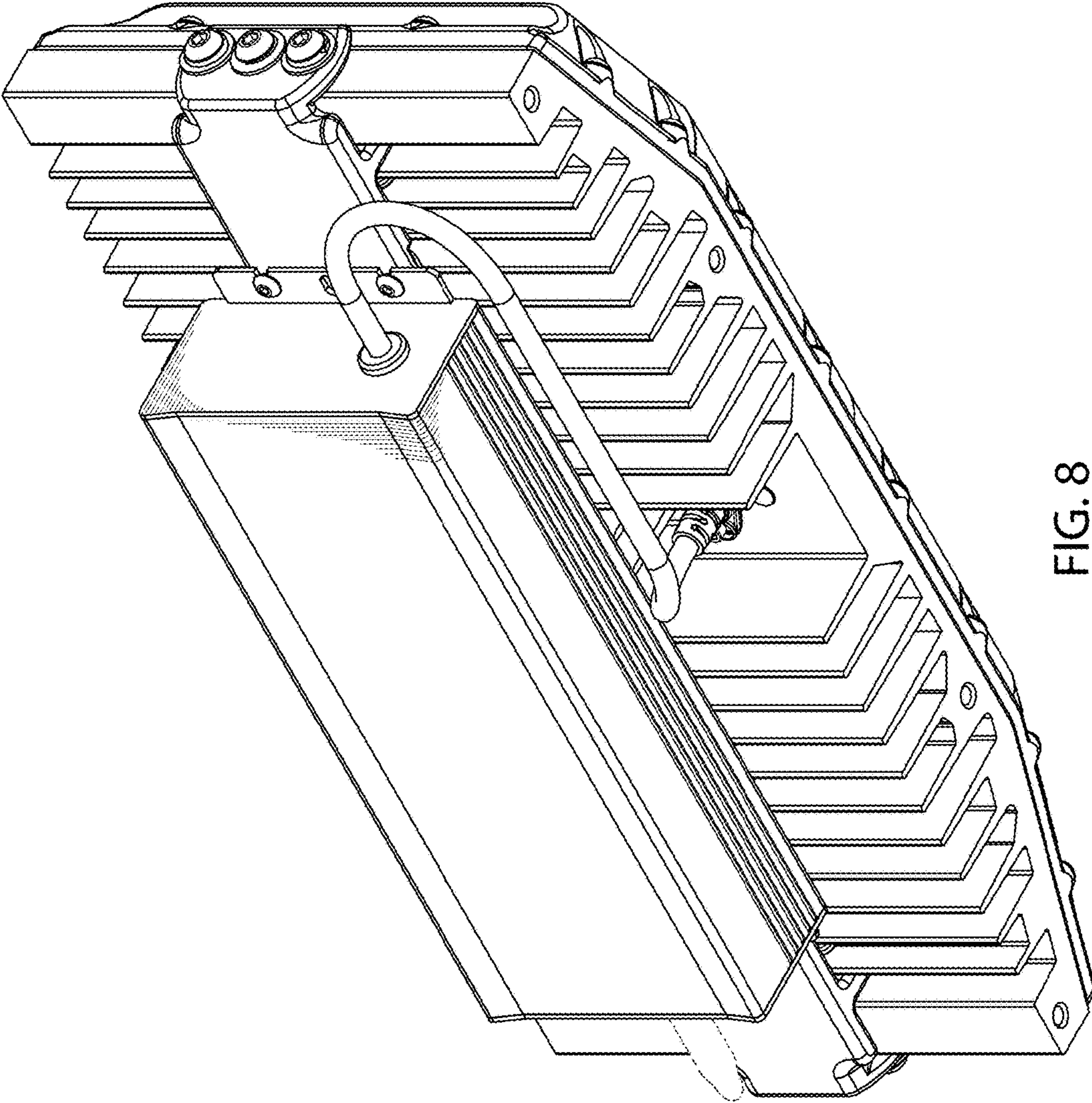


FIG. 8

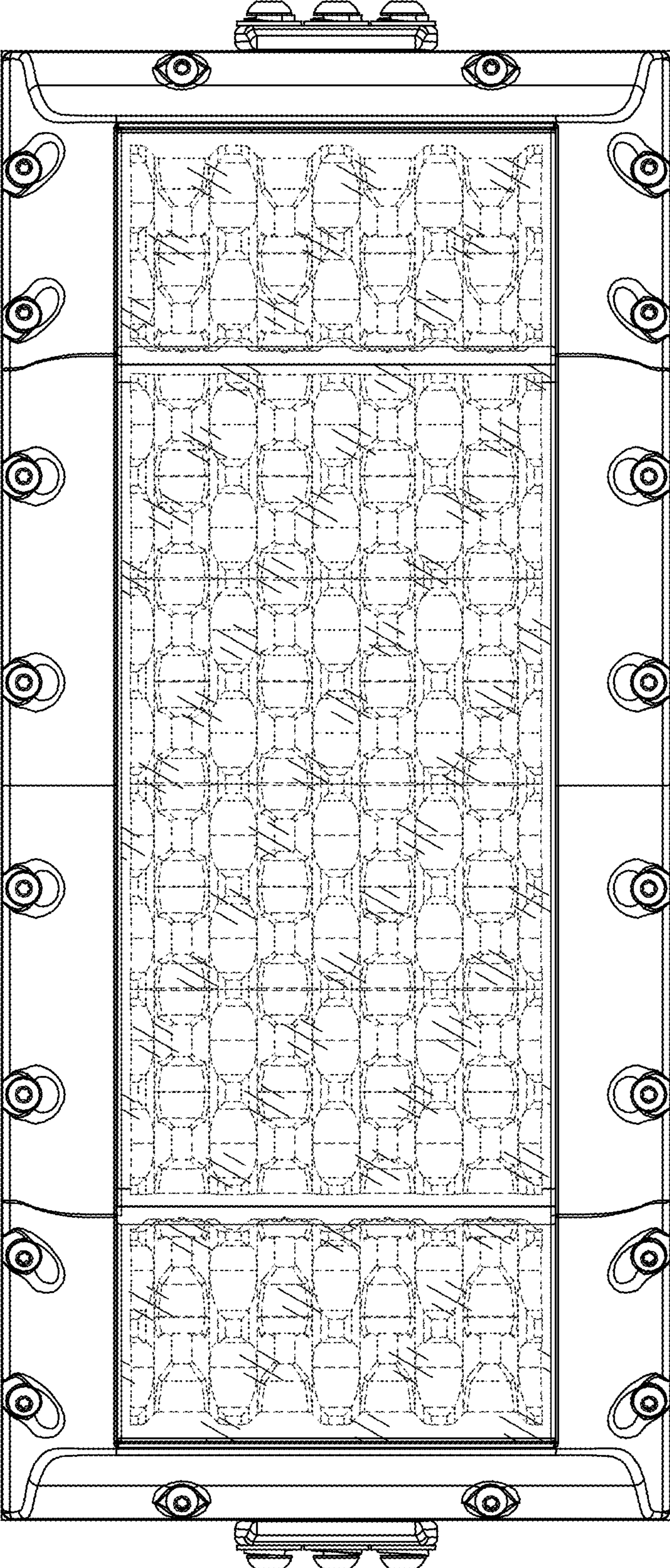


FIG. 9

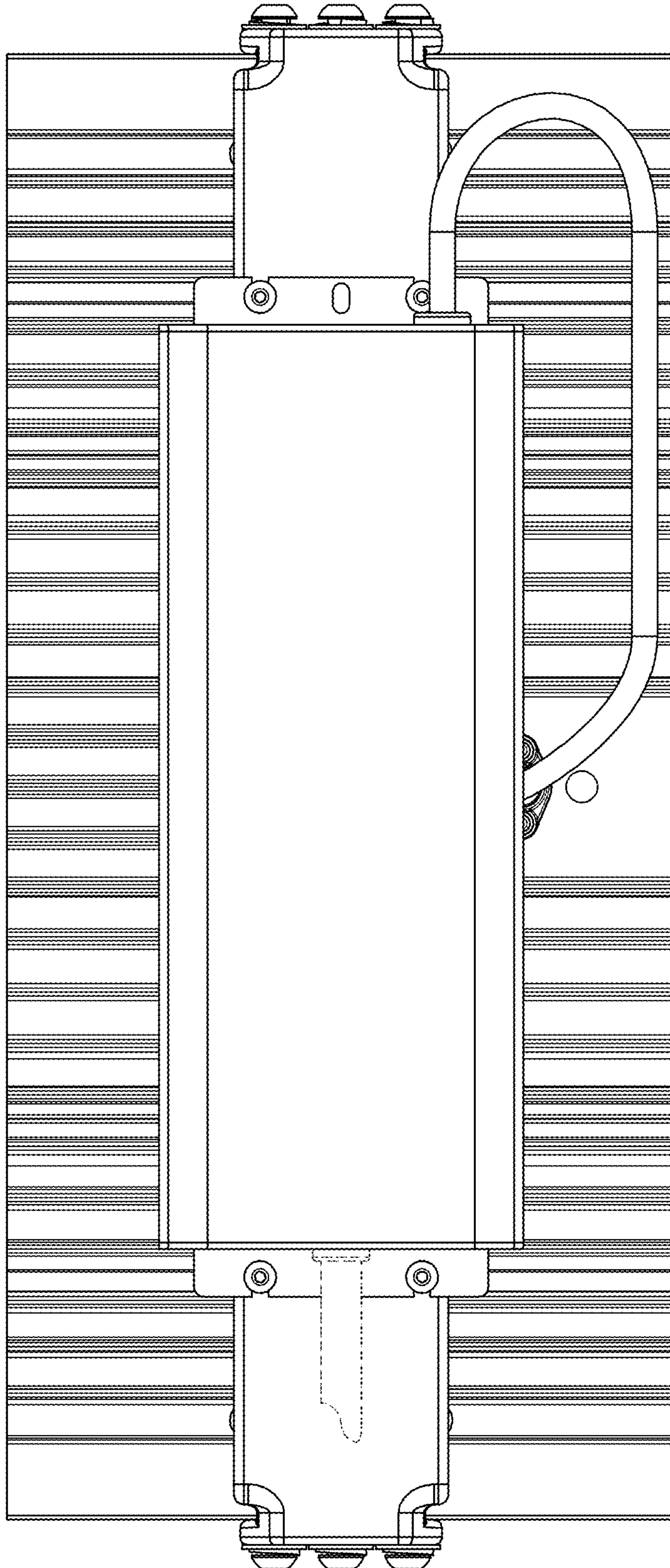


FIG. 10

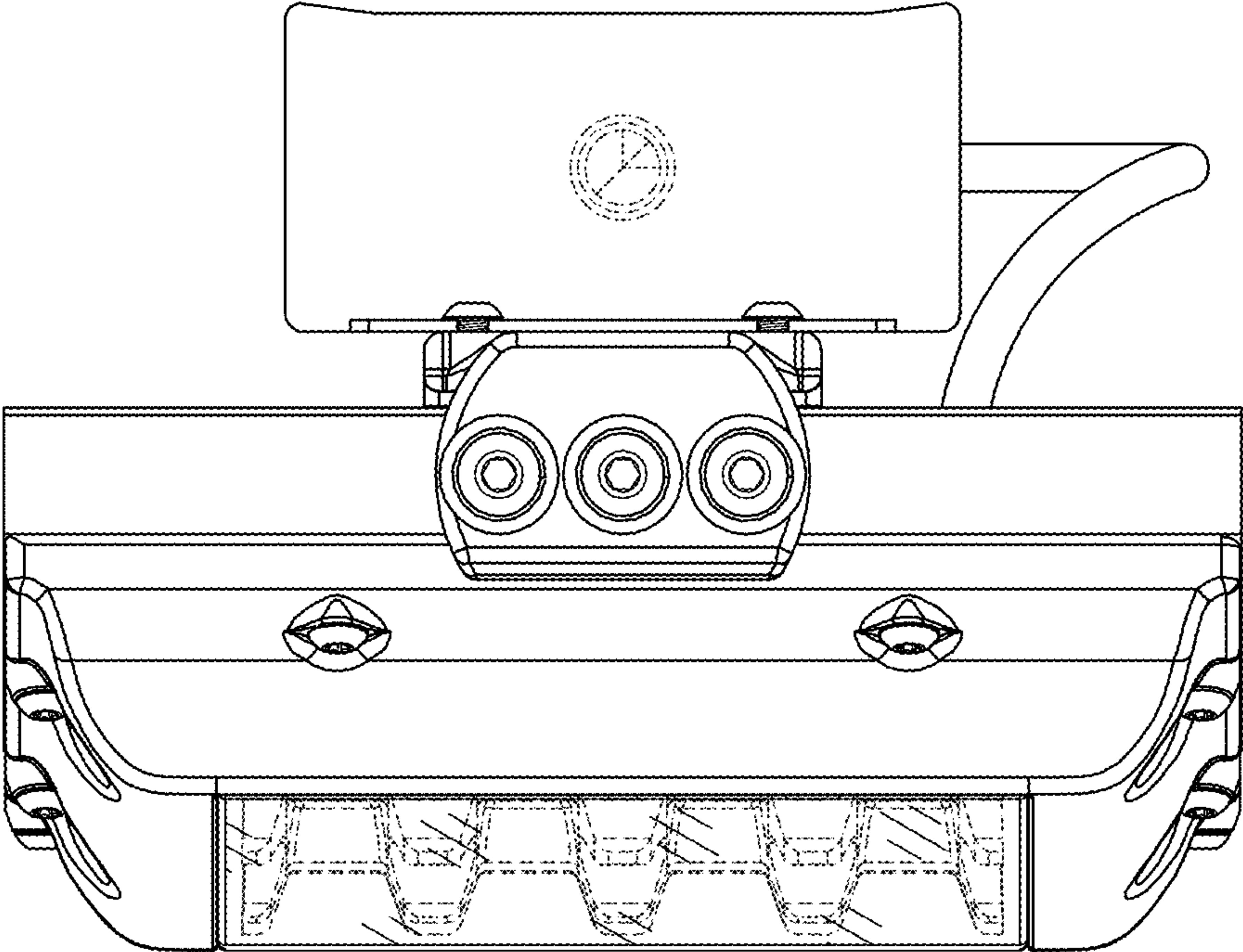


FIG. 11

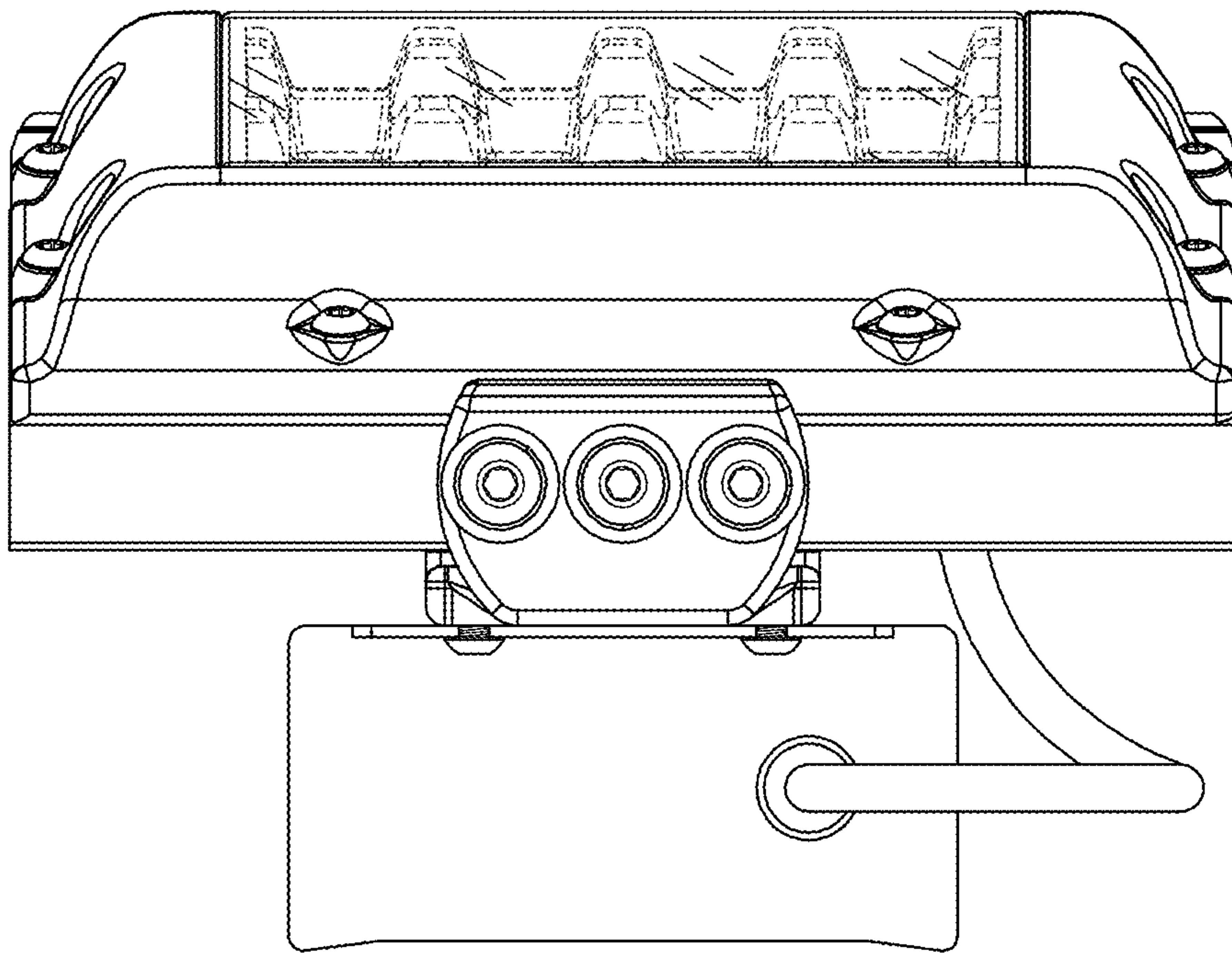


FIG. 12

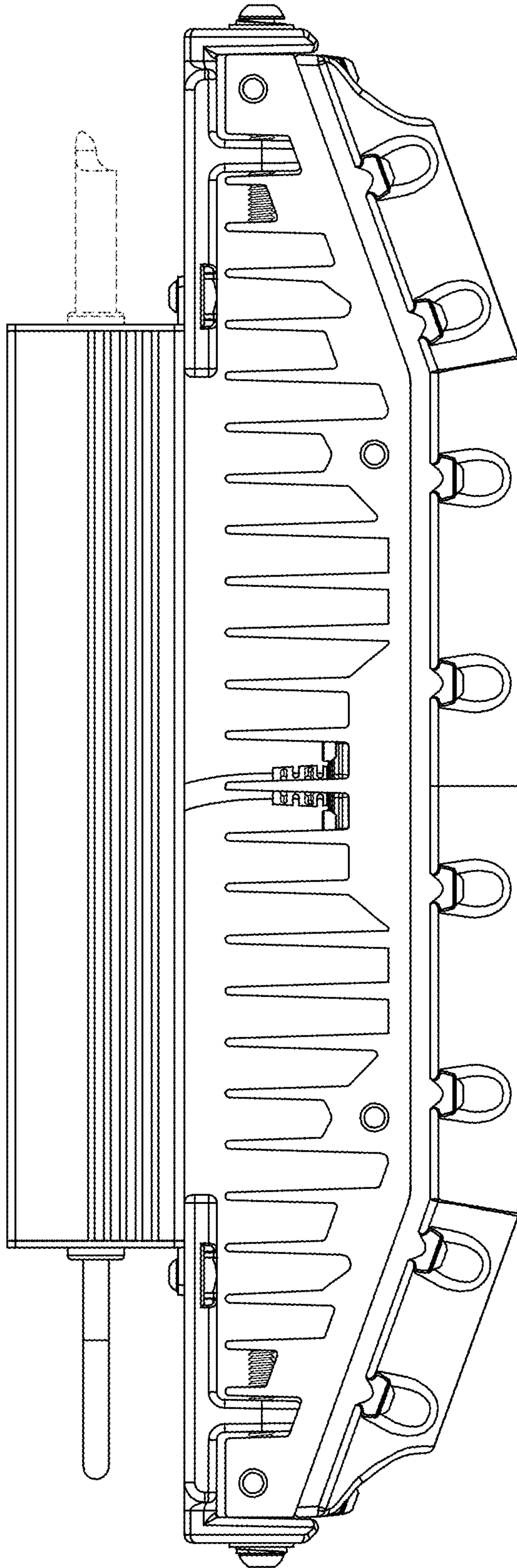


FIG. 13

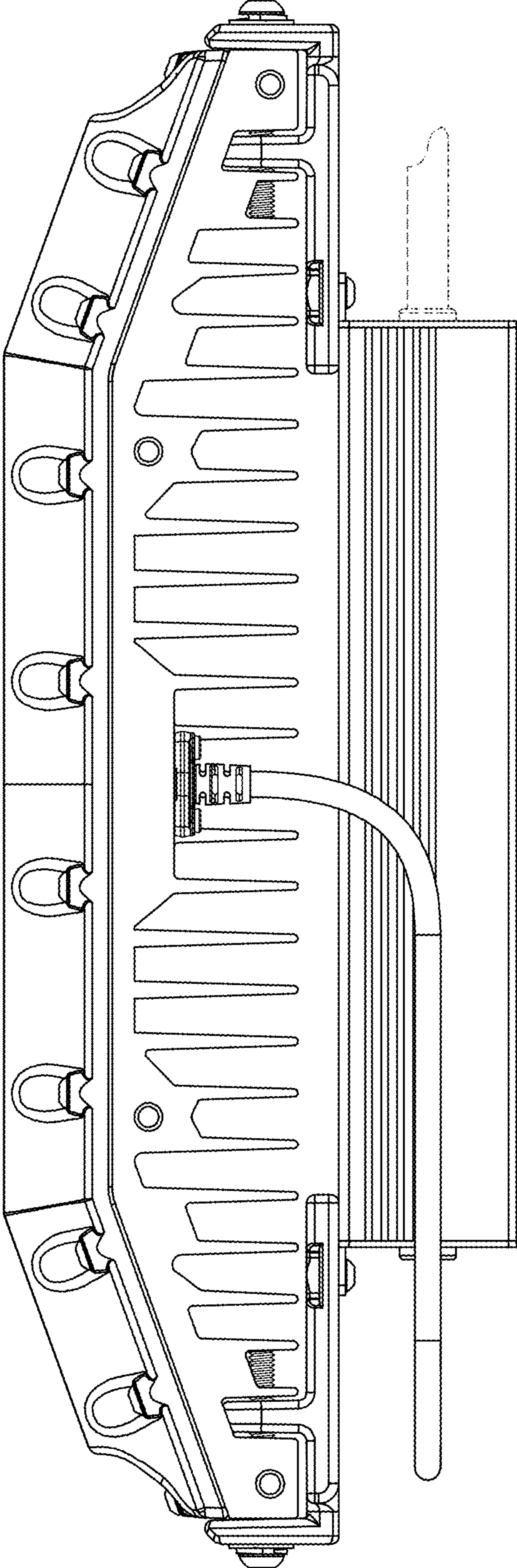


FIG. 14