



US00D786469S

(12) **United States Design Patent**
Marshal

(10) **Patent No.:** **US D786,469 S**

(45) **Date of Patent:** **** May 9, 2017**

(54) **STREET LIGHT**

(71) Applicant: **AMLED TECHNOLOGIES, INC.**,
Alsip, IL (US)

(72) Inventor: **Madan Marshal**, Alsip, IL (US)

(73) Assignee: **AMLED Technologies, Inc.**, Itasca, IL
(US)

(**) Term: **15 Years**

(21) Appl. No.: **29/552,286**

(22) Filed: **Jan. 21, 2016**

Related U.S. Application Data

(63) Continuation of application No. 14/997,708, filed on
Jan. 18, 2016.

(51) **LOC (10) Cl.** **26-05**

(52) **U.S. Cl.**
USPC **D26/71**

(58) **Field of Classification Search**
USPC D26/63, 71, 92
CPC .. F21S 8/033; F21S 8/036; F21S 8/085; F21S
8/086; F21V 21/30; F21W 2111/02
See application file for complete search history.

(56) **References Cited**

U.S. PATENT DOCUMENTS

- D570,521 S * 6/2008 Belleau D26/71
- 7,420,811 B2 * 9/2008 Chan F21V 29/004
361/707
- D608,927 S * 1/2010 Hsu D26/71
- D622,889 S * 8/2010 Zheng D26/71

- D642,724 S * 8/2011 Galipeau D26/71
- D646,419 S * 10/2011 Chiang D26/71
- D660,495 S * 5/2012 Walker D26/71
- D678,581 S * 3/2013 Du D26/71
- D693,511 S * 11/2013 Larsen D26/71
- D708,379 S * 7/2014 Ruffalo D26/71
- D718,483 S * 11/2014 Meredith D26/71
- D719,696 S * 12/2014 Zhang D26/71
- 2009/0310381 A1 * 12/2009 Chang F21V 29/004
362/555
- 2009/0323343 A1 * 12/2009 Wang F21S 8/086
362/249.11
- 2010/0027269 A1 * 2/2010 Lo F21V 15/015
362/294

* cited by examiner

Primary Examiner — Clare E Heflin

(74) *Attorney, Agent, or Firm* — Witters & Associates;
Steve Witters

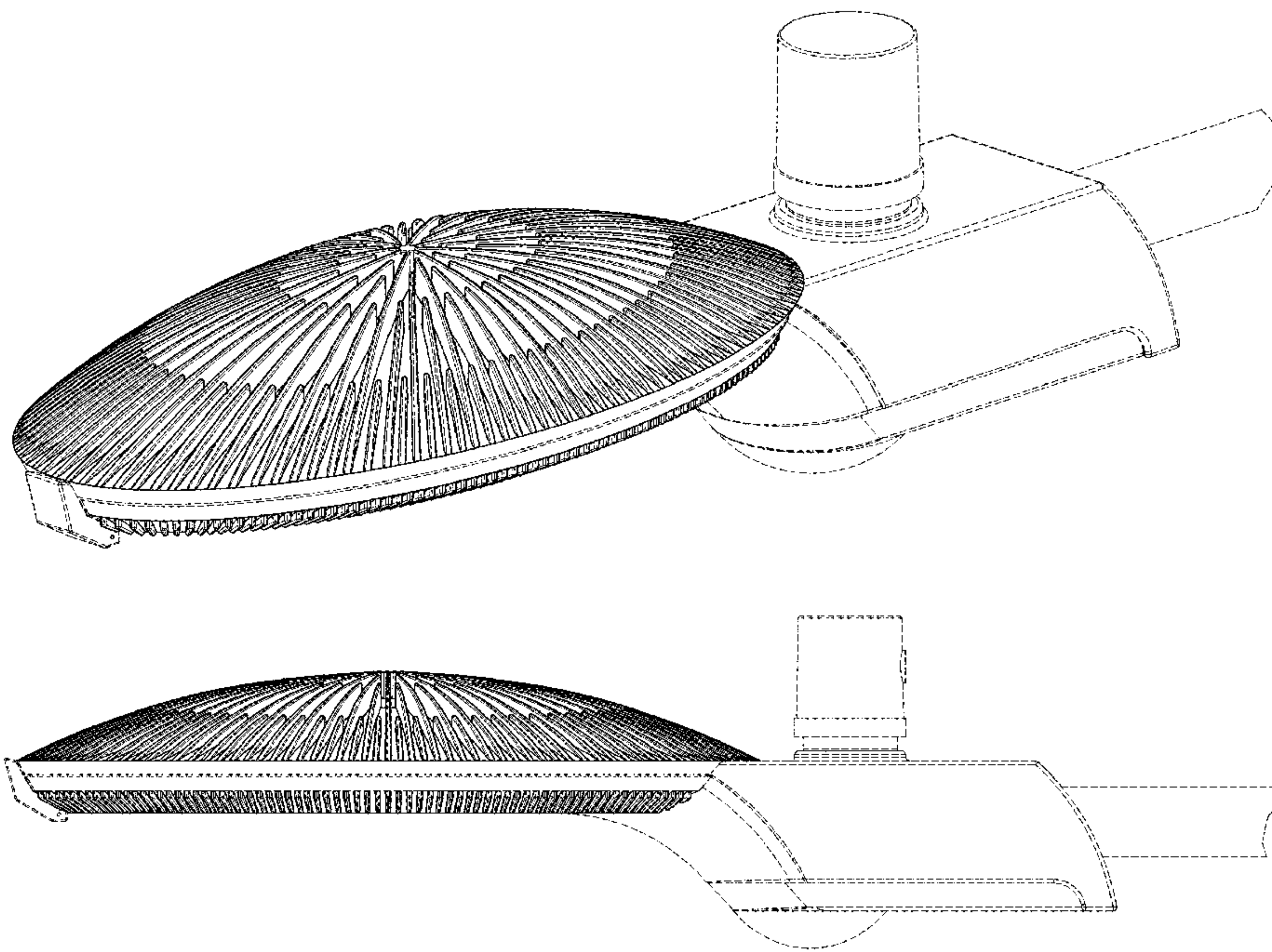
(57) **CLAIM**

The ornamental design for a street light, as shown and
described.

DESCRIPTION

FIG. 1 is a perspective view of a street light showing the
design thereof;
FIG. 2 is a bottom view thereof;
FIG. 3 is a side view thereof, wherein the other side view is
symmetrical to this side view and is omitted for brevity;
FIG. 4 is a top view thereof;
FIG. 5 is a rear view; and,
FIG. 6 is a front view.
The broken lines shown on the drawings depict portions of
the street light that form no part of the claimed design.

1 Claim, 5 Drawing Sheets



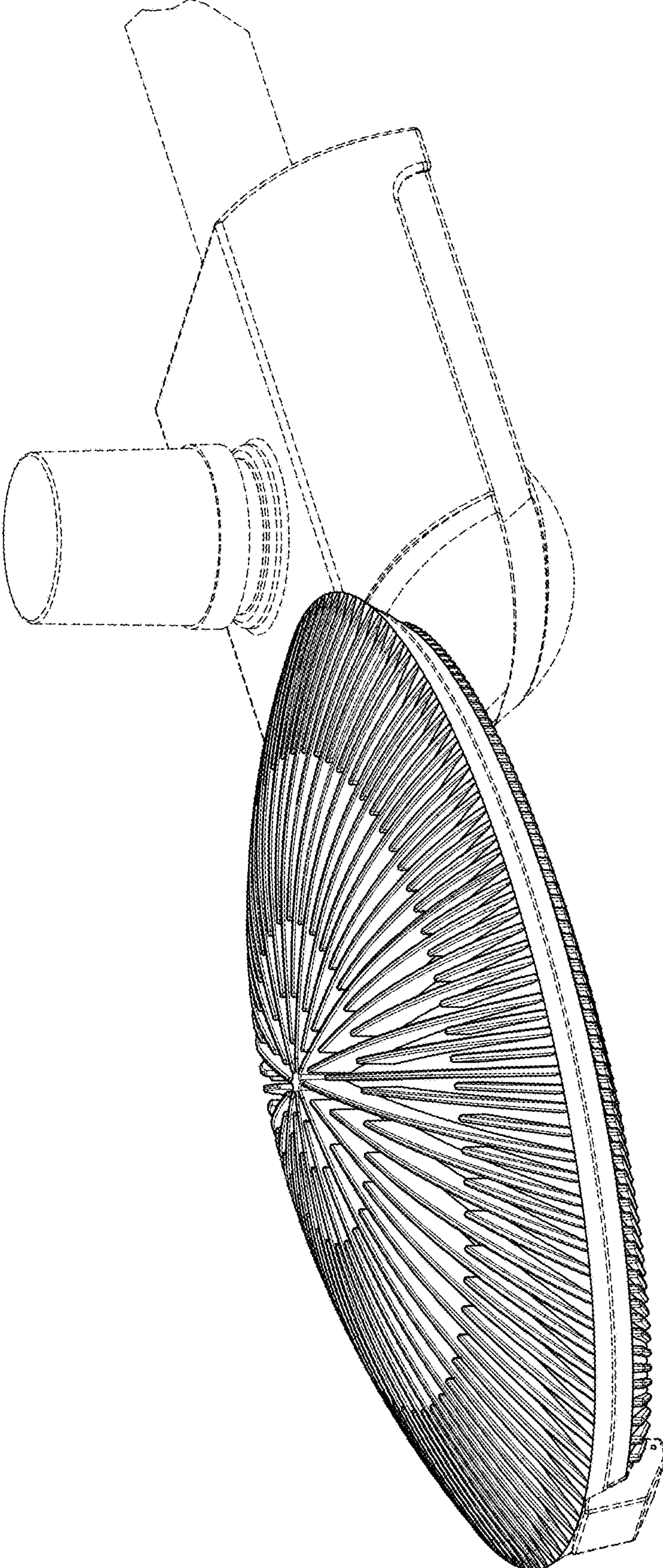


FIG. 1

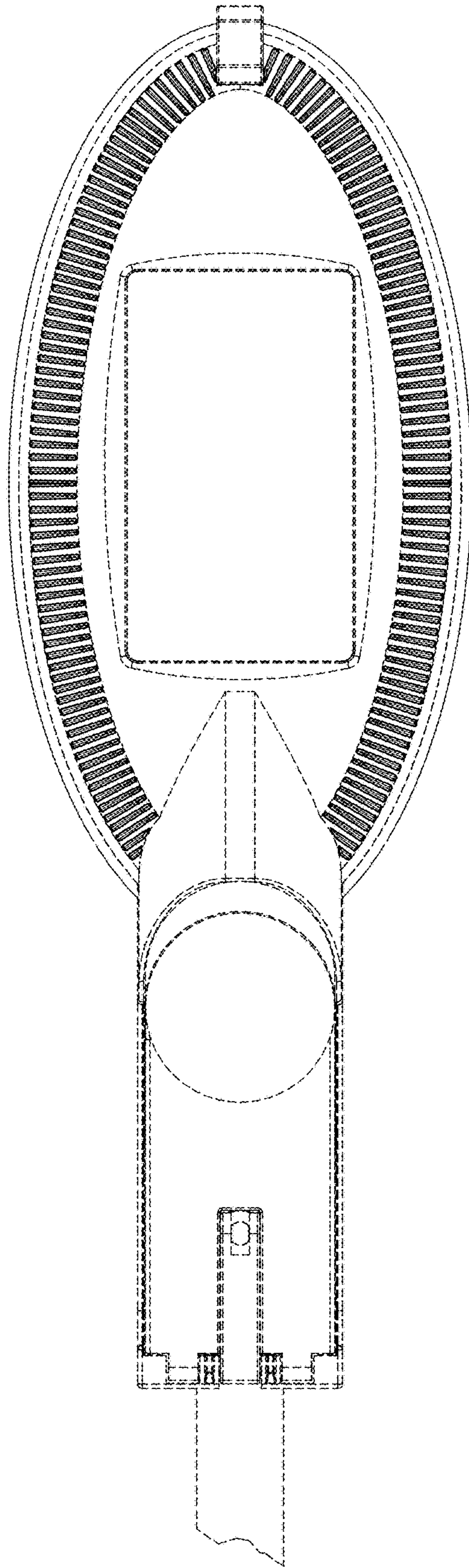


FIG. 2

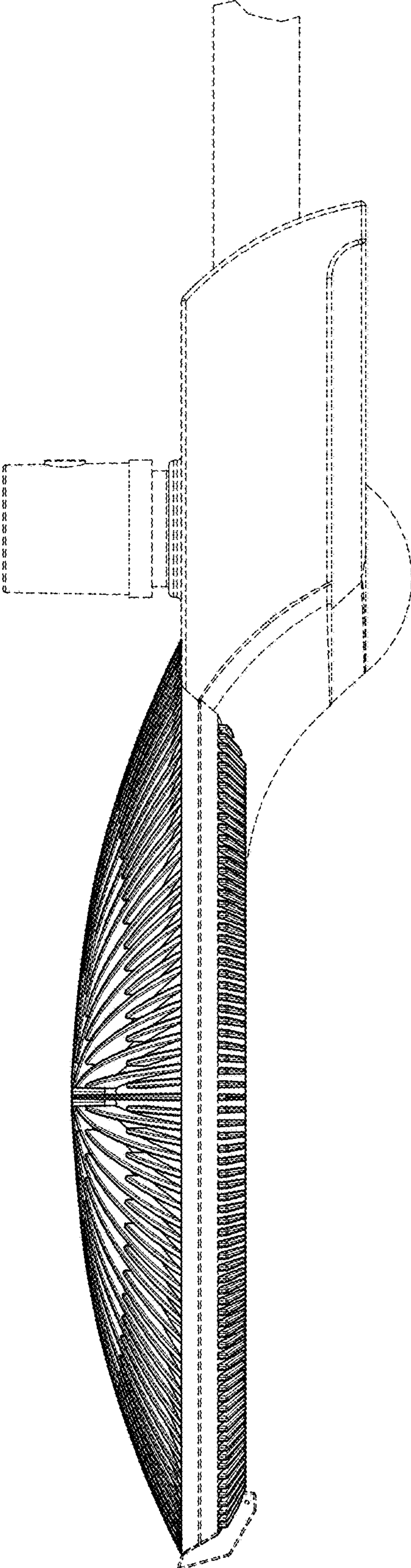


FIG. 3

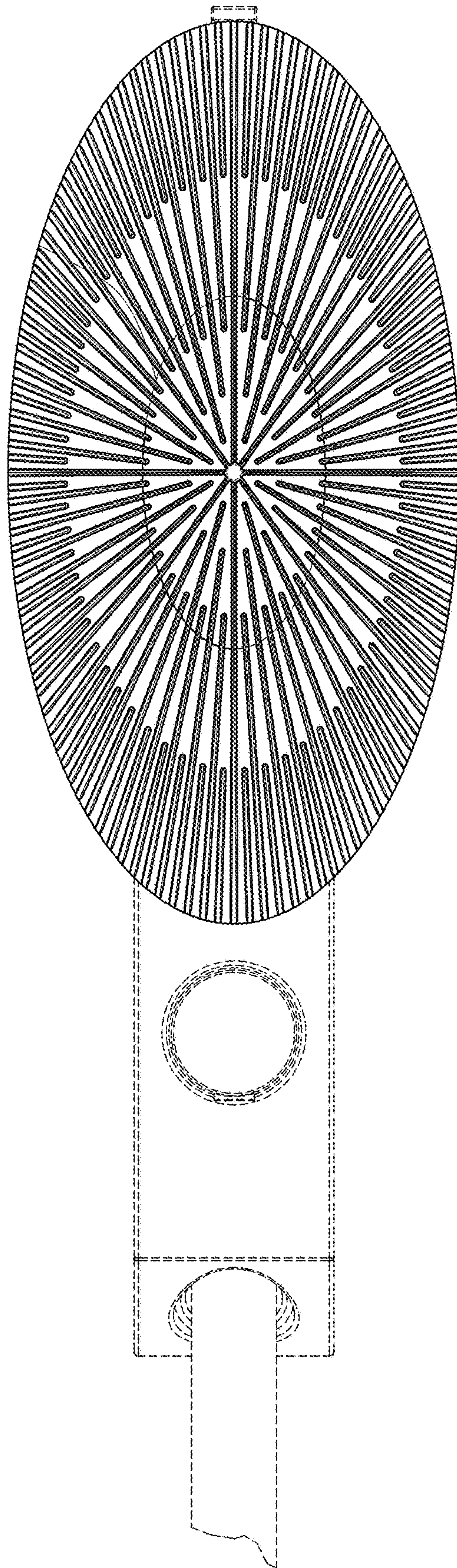


FIG. 4

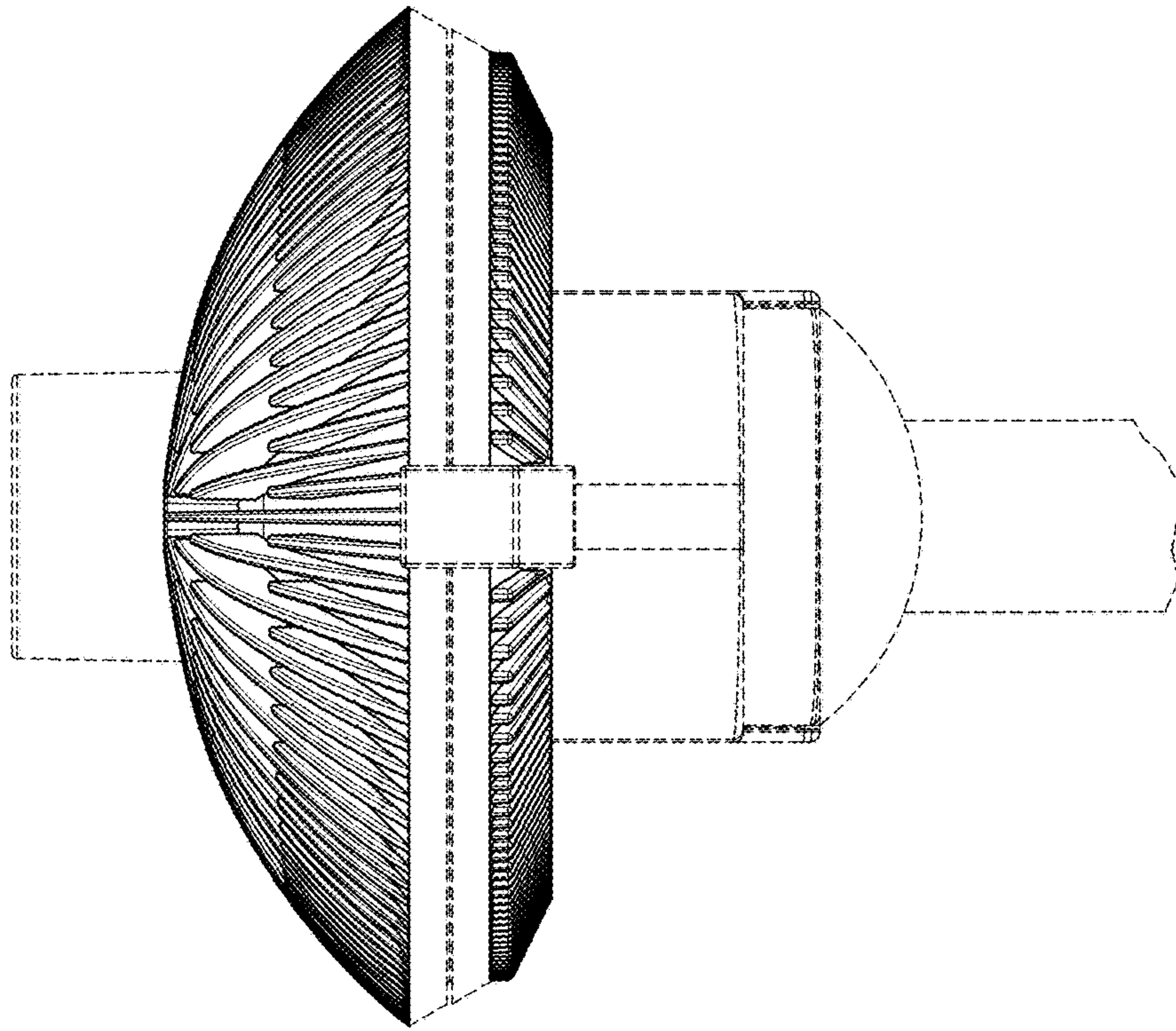


FIG. 5

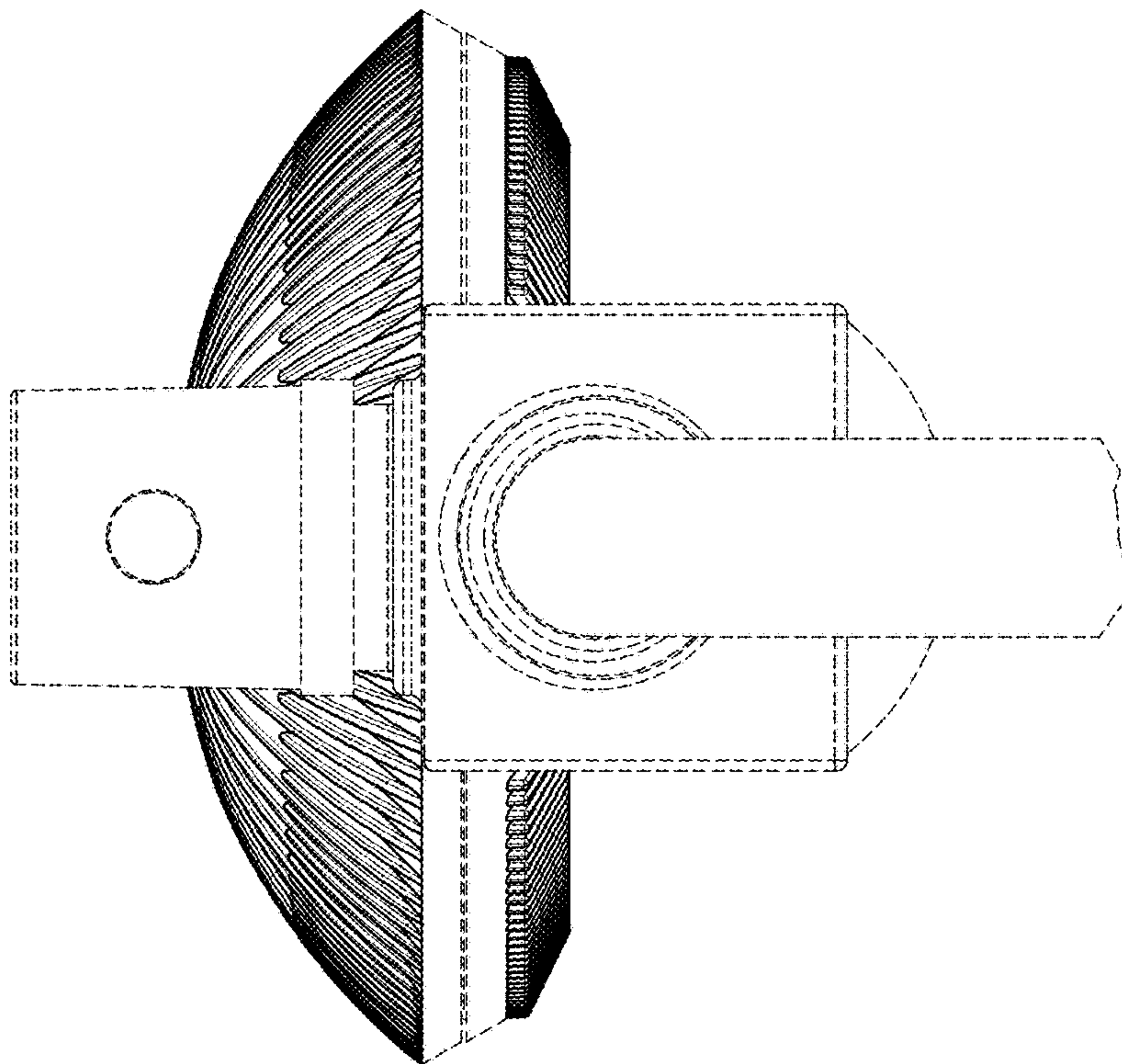


FIG. 6