



US00D786467S

(12) **United States Design Patent**
Wan et al.

(10) **Patent No.:** **US D786,467 S**

(45) **Date of Patent:** **** May 9, 2017**

(54) **LED GARDEN LAMP**

(71) Applicants: **UNILUMIN GROUP CO., LTD.**,
Shenzhen (CN); **Guangdong Unilumin
Energy Saving Technology CO., LTD.**,
Huizhou (CN)

(72) Inventors: **Changwei Wan**, Shenzhen (CN); **Qing
Zhou**, Shenzhen (CN); **Jianghai Li**,
Shenzhen (CN); **Mingfeng Lin**,
Shenzhen (CN)

(73) Assignees: **UNILUMIN GROUP CO., LTD.**,
Shenzhen (CN); **GUANGDONG
UNILUMIN ENERGY SAVING
TECHNOLOGY CO., LTD.**, Huizhou
(CN)

(**) Term: **15 Years**

(21) Appl. No.: **29/540,642**

(22) Filed: **Sep. 25, 2015**

(30) **Foreign Application Priority Data**

Jul. 6, 2015 (CN) 2015 3 0237478

(51) **LOC (10) Cl.** **26-05**

(52) **U.S. Cl.**
USPC **D26/67**

(58) **Field of Classification Search**
USPC D26/67, 68, 69, 70, 110, 104
CPC F21S 6/004; F21S 8/032; F21S 8/08; F21S
8/081; F21S 8/083; F21S 8/085; F21S
8/088; F21S 9/037; F21W 2131/10;
F21W 2131/109

See application file for complete search history.

(56) **References Cited**

U.S. PATENT DOCUMENTS

D100,811 S * 8/1936 Bick D26/67
3,156,418 A * 11/1964 Jablonski F21S 8/088
248/219.2

D208,719 S * 9/1967 de Vos D26/67
D504,536 S * 4/2005 Emory D26/67
D529,218 S * 9/2006 Wen D26/68
D529,653 S * 10/2006 Galipeau D26/67
D553,779 S * 10/2007 Butler D26/67
D554,791 S * 11/2007 Galipeau D26/67
D571,494 S * 6/2008 Friedman D26/67
D578,694 S * 10/2008 Zeng D26/67
D591,885 S * 5/2009 Tortel D26/67
D591,886 S * 5/2009 Tortel D26/67
D591,887 S * 5/2009 Tortel D26/67
D592,342 S * 5/2009 Kinnune D26/67
D592,343 S * 5/2009 Wilcox D26/67
D592,344 S * 5/2009 Wilcox D26/67
D614,789 S * 4/2010 van Klinken D26/67
D615,682 S * 5/2010 van Klinken D26/67
D672,074 S * 12/2012 Compton D26/67

(Continued)

Primary Examiner — Clare E Heflin

(74) *Attorney, Agent, or Firm* — Kagan Binder, PLLC

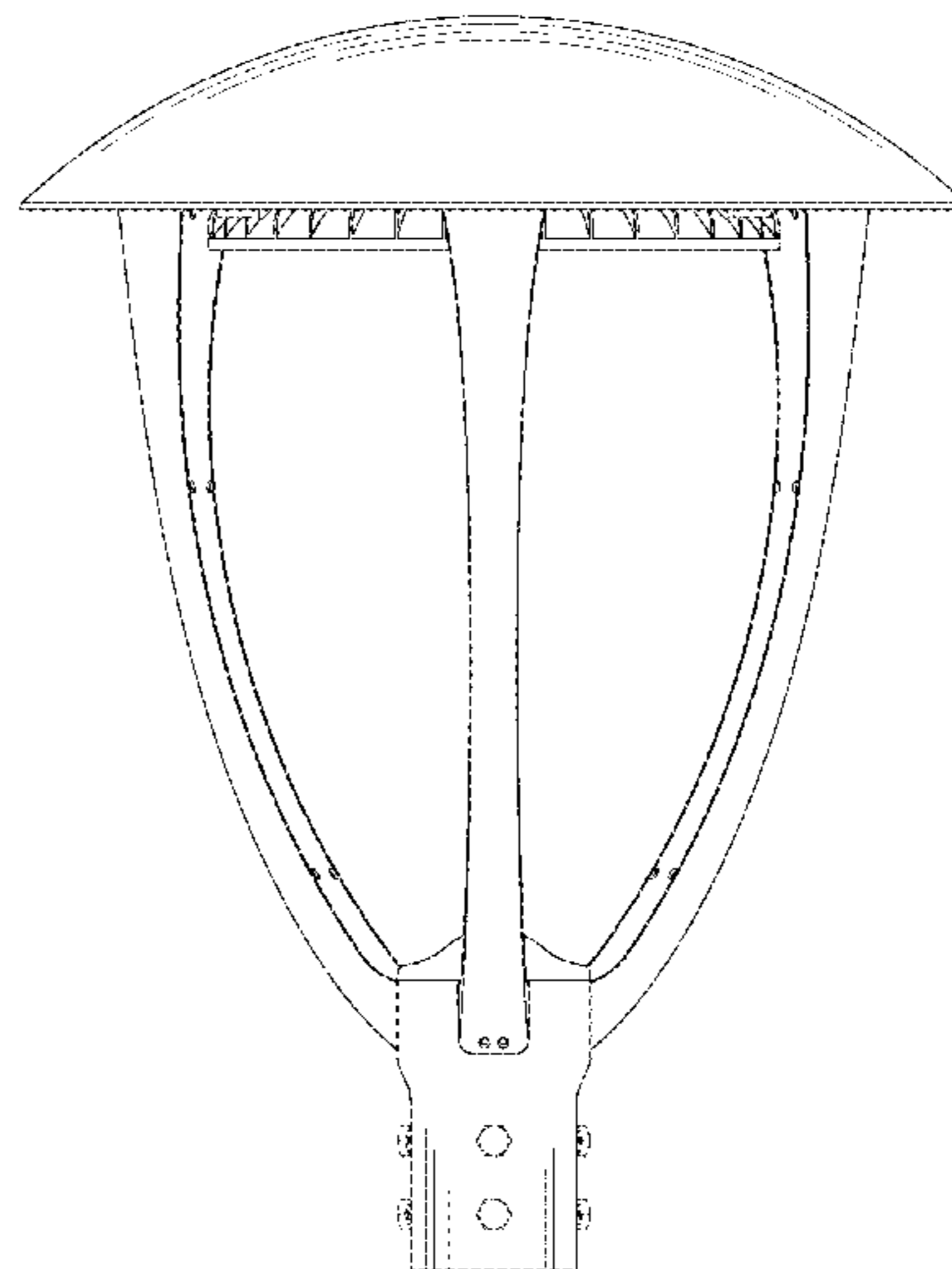
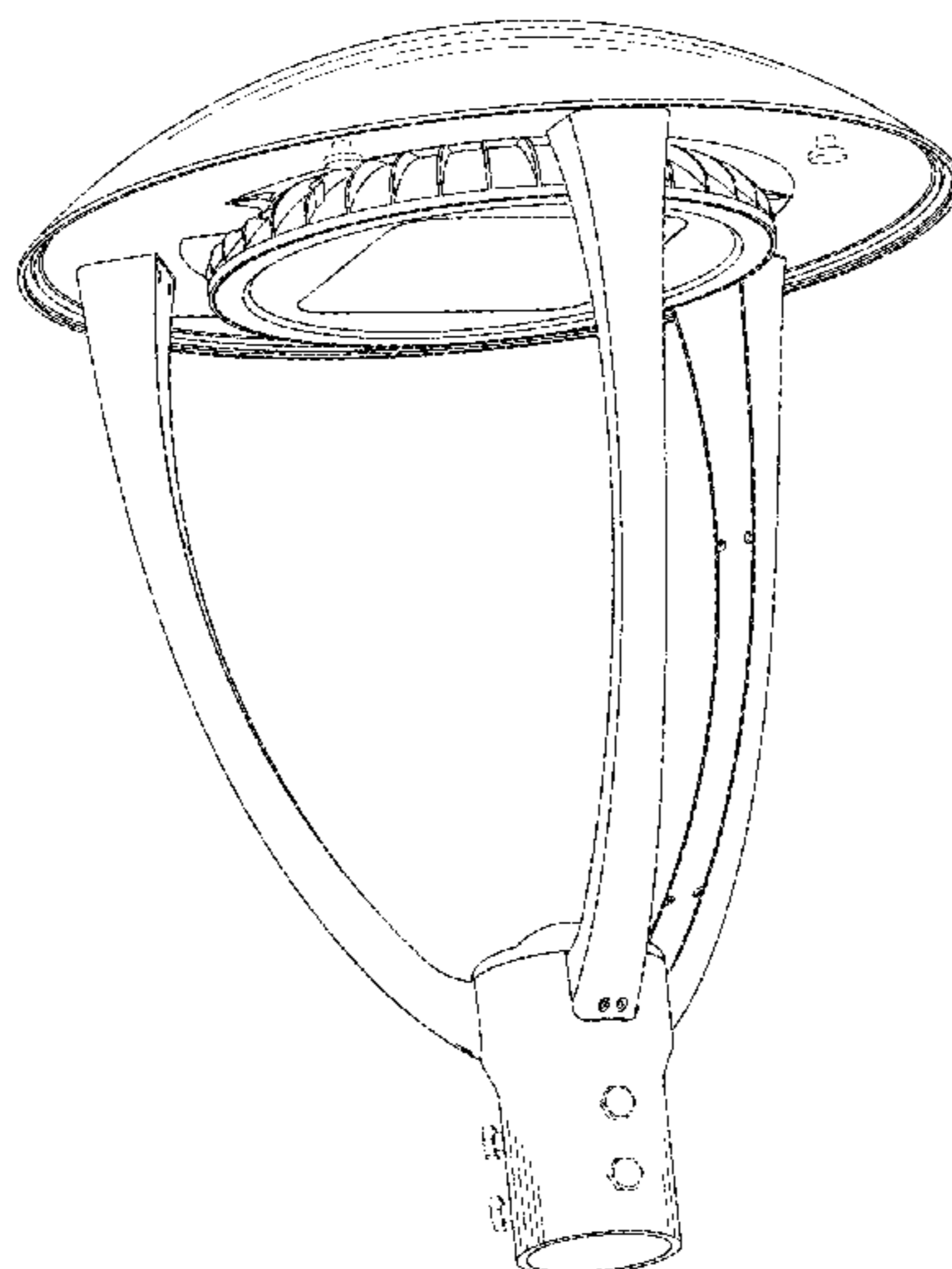
(57) **CLAIM**

The ornamental design for an LED garden lamp, as shown and described.

DESCRIPTION

FIG. 1 is a perspective view of an LED garden lamp showing the new design;
FIG. 2 is a front elevational view thereof;
FIG. 3 is a rear elevational view thereof;
FIG. 4 is a left-side elevational view thereof;
FIG. 5 is a right-side elevational view thereof;
FIG. 6 is a top plan view thereof;
FIG. 7 is a bottom plan view thereof; and,
FIG. 8 is another perspective view thereof.
The broken lines in the figures show portions of the LED garden lamp, which are for illustrative purposes only and form no part of the claimed design.

1 Claim, 8 Drawing Sheets



(56)

References Cited

U.S. PATENT DOCUMENTS

D678,576 S *	3/2013	Chen	D26/67
D685,941 S *	7/2013	Boyer	D26/67
D695,436 S *	12/2013	Hermansen	D26/67
D713,082 S *	9/2014	Hermansen	D26/67
D755,431 S *	5/2016	Chen	D26/67
2010/0002432 A1 *	1/2010	Romano	F21S 48/328 362/235

* cited by examiner

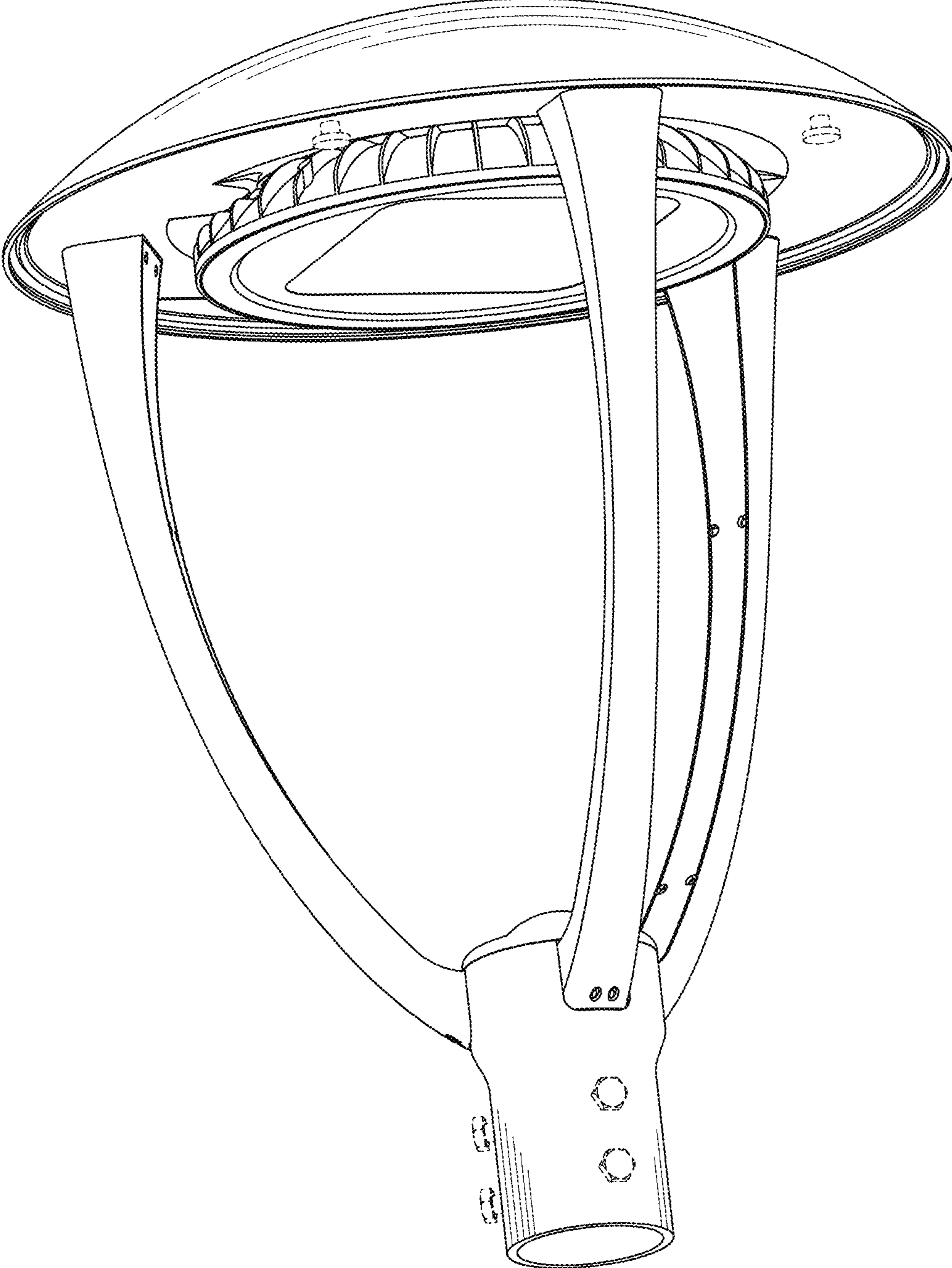


FIG. 1

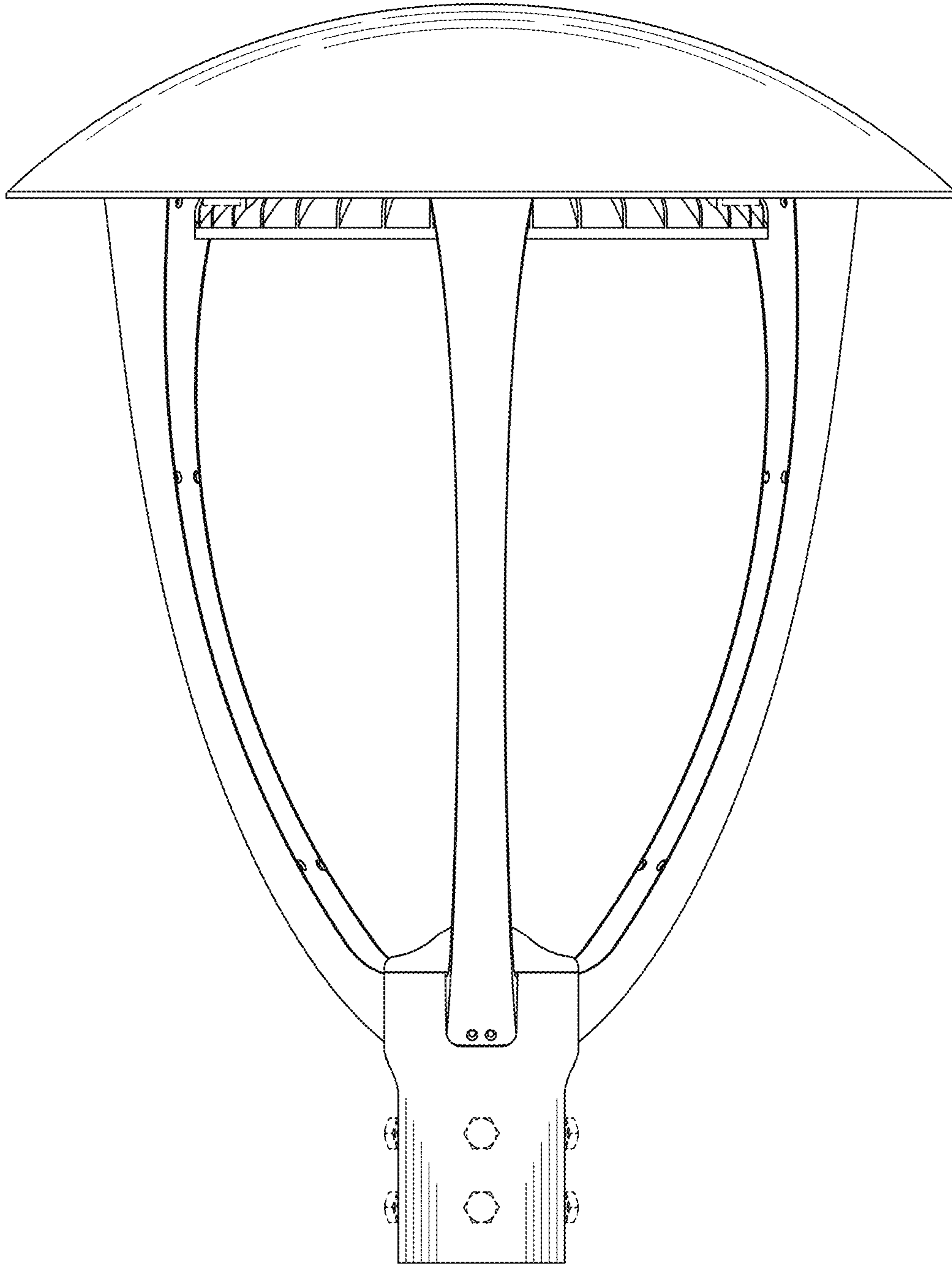


FIG. 2

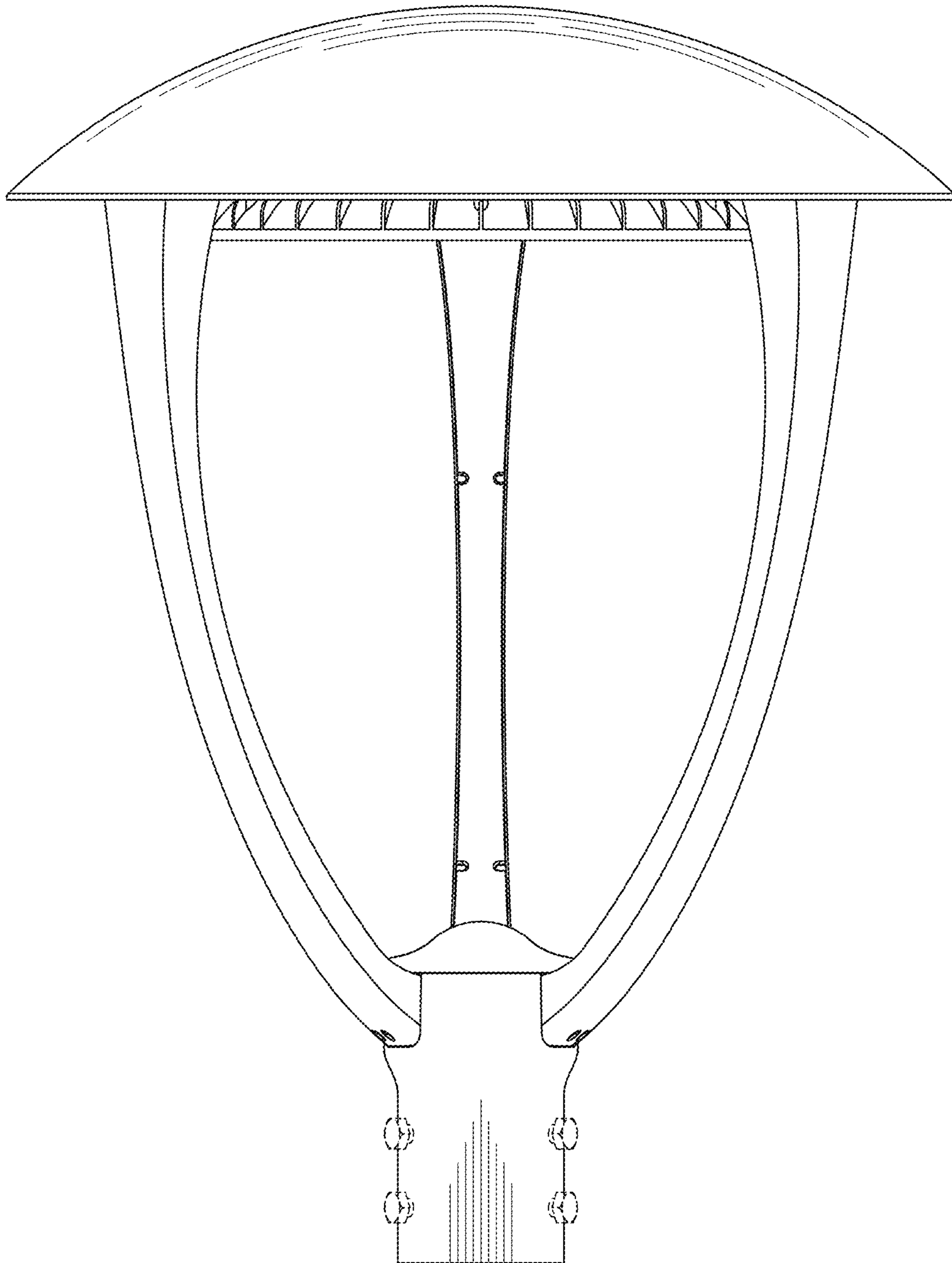


FIG. 3

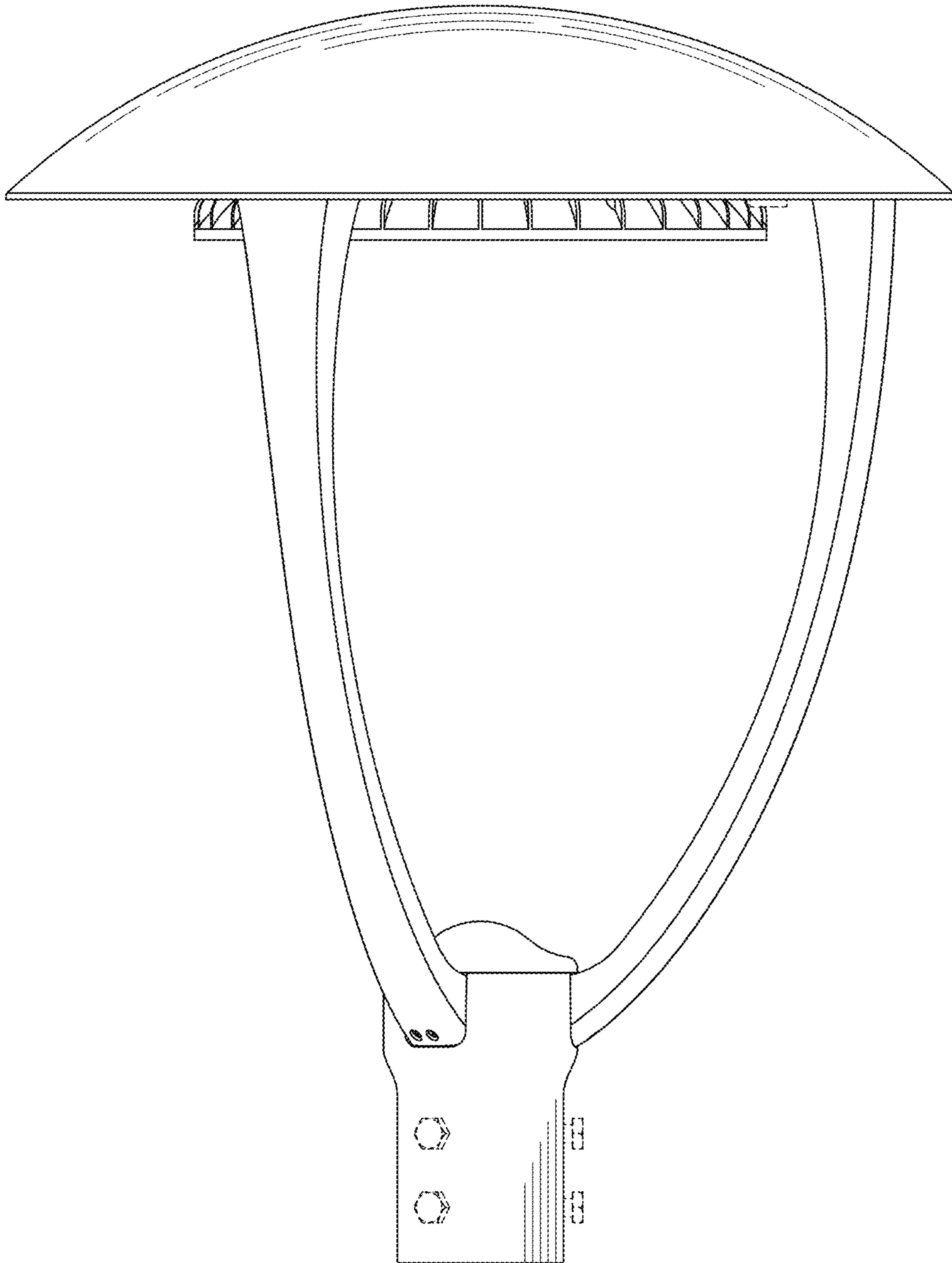


FIG. 4

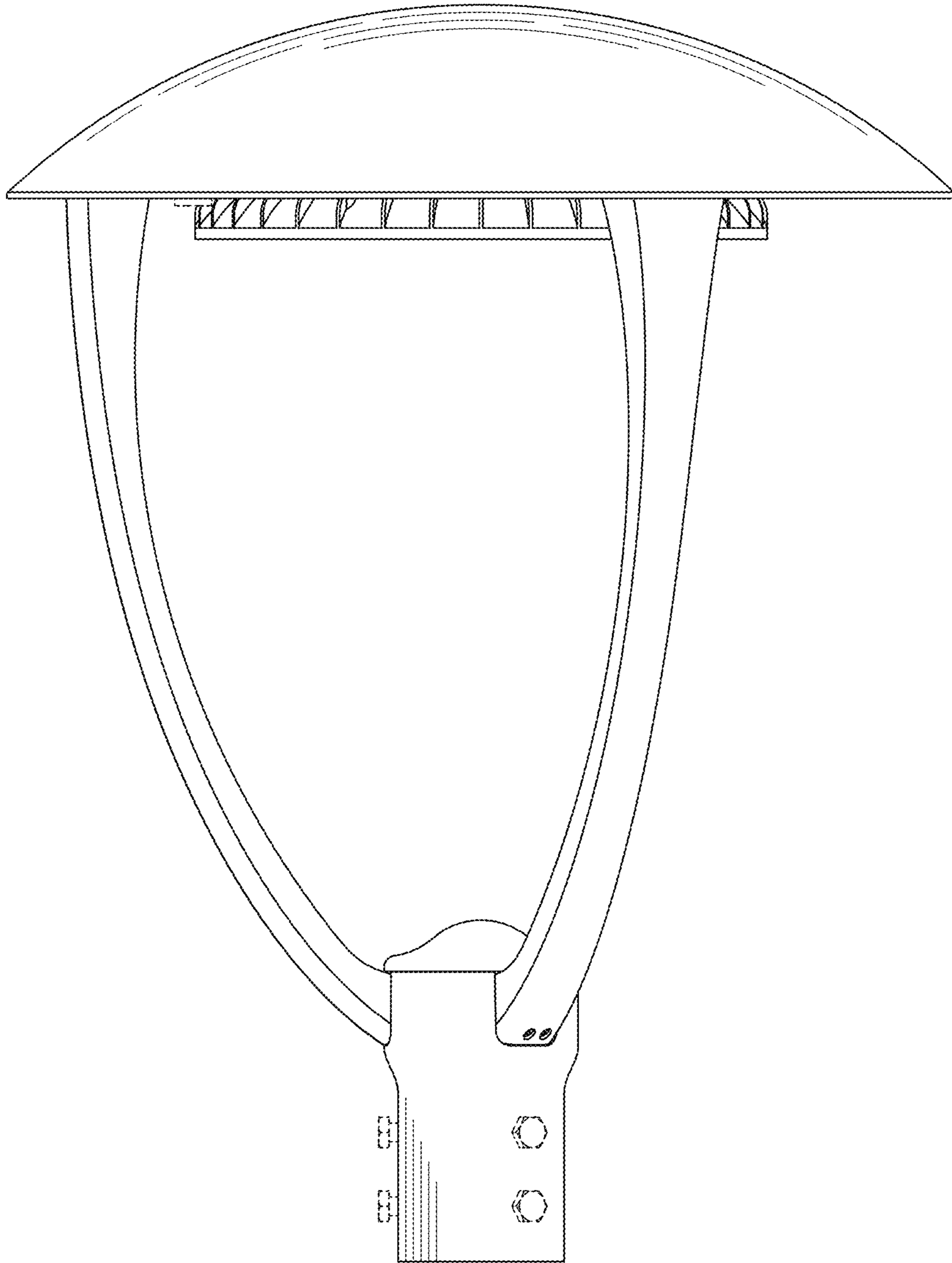


FIG. 5

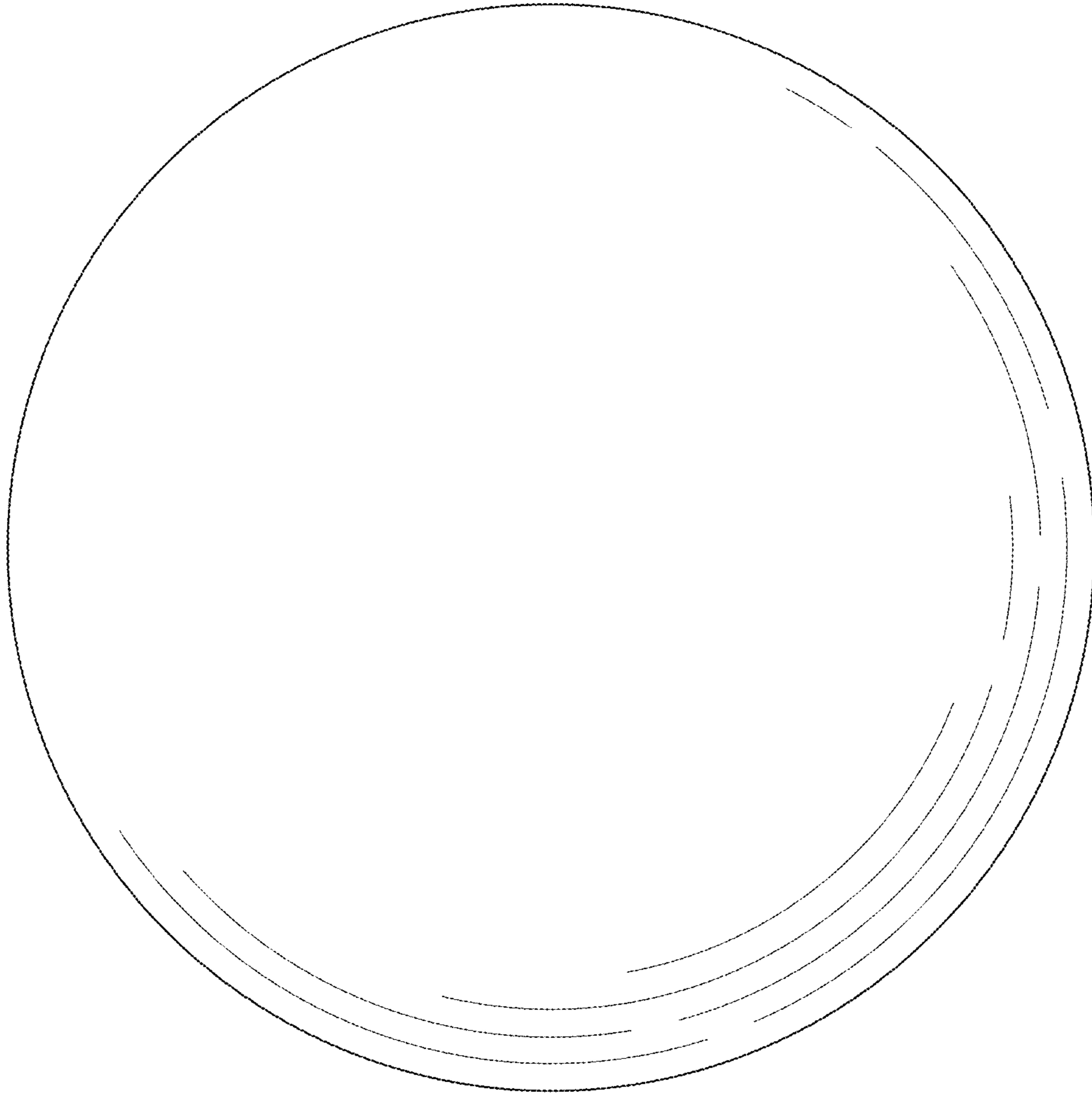


FIG. 6

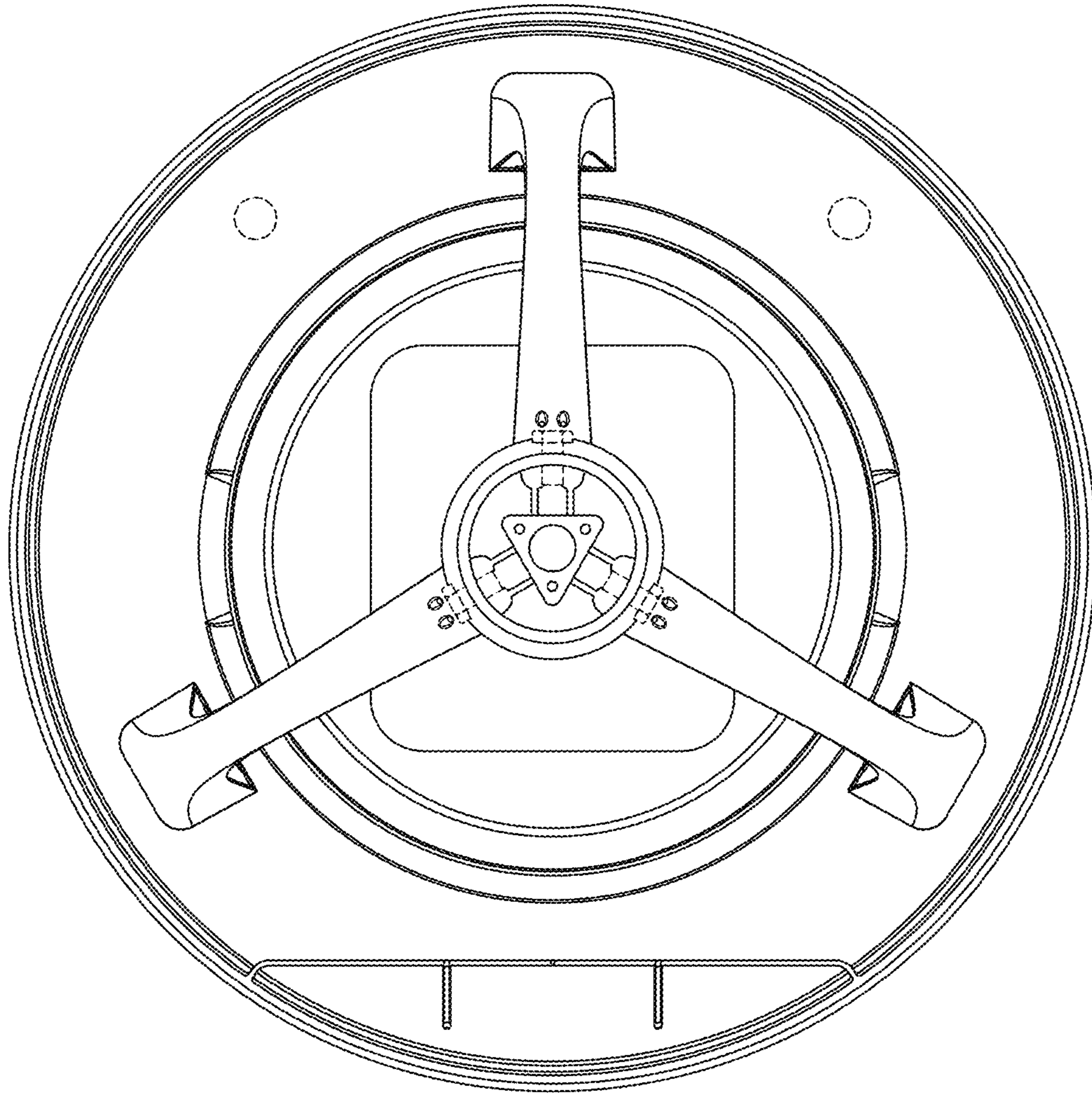


FIG. 7

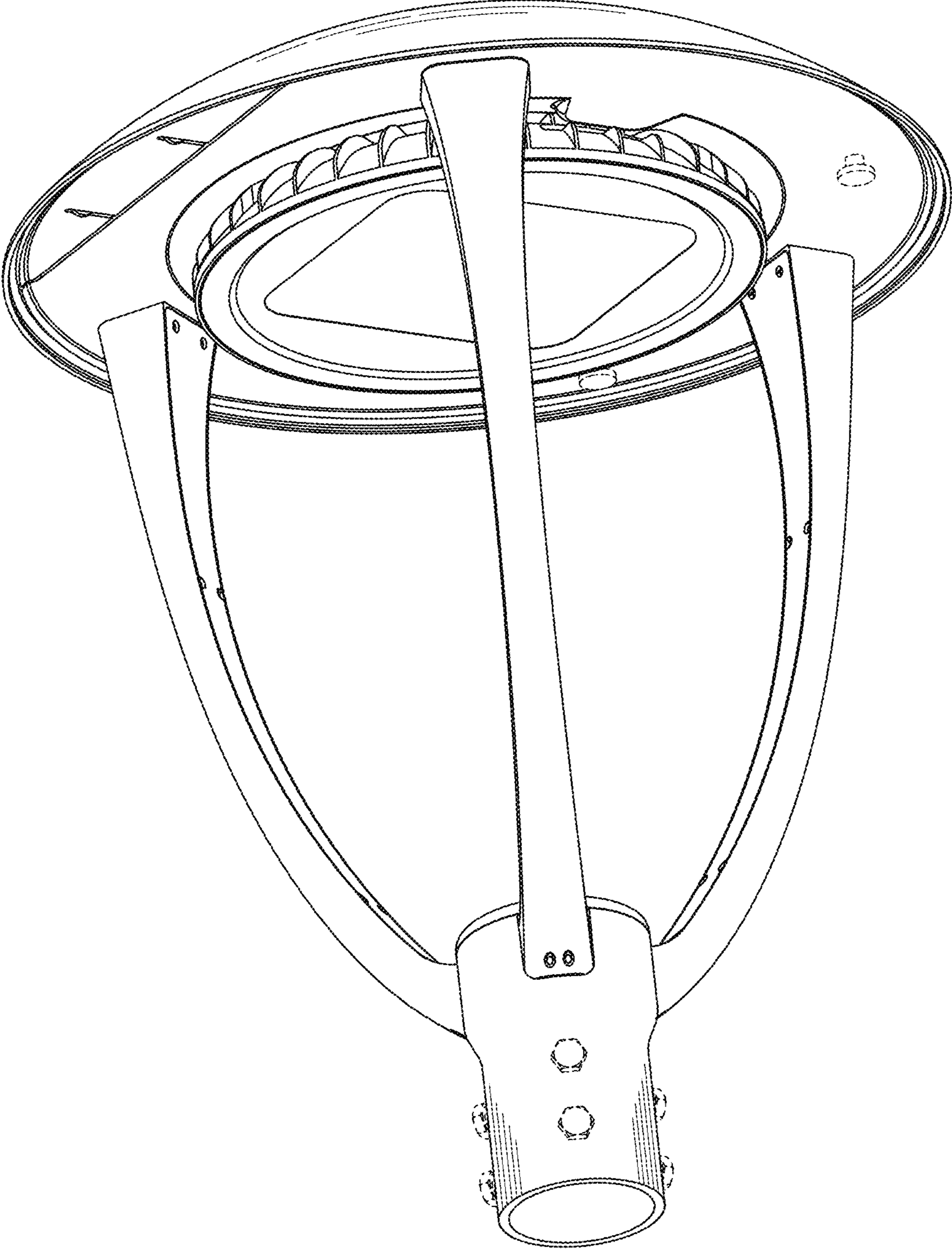


FIG. 8