



US00D786466S

(12) **United States Design Patent**
Prieto

(10) **Patent No.:** **US D786,466 S**

(45) **Date of Patent:** **** May 9, 2017**

(54) **FLASHLIGHT**

(71) Applicant: **Alliance Sports Group, L.P.**, Grand Prairie, TX (US)

(72) Inventor: **Jaime Prieto**, Fort Worth, TX (US)

(73) Assignee: **Alliance Sports Group, L.P.**, Grand Prairie, TX (US)

(**) Term: **14 Years**

(21) Appl. No.: **29/508,252**

(22) Filed: **Nov. 4, 2014**

(51) **LOC (10) Cl.** **26-02**

(52) **U.S. Cl.**
USPC **D26/49**

(58) **Field of Classification Search**
USPC D26/37, 38, 45, 46, 49, 51; 362/157,
362/158, 184, 183, 194-196, 202-208
CPC F21V 33/00; F21V 14/025; F21V 21/406;
F21Y 2101/02; F21L 17/00; F21L 13/08;
F21L 2001/00; F21L 14/02
See application file for complete search history.

(56) **References Cited**

U.S. PATENT DOCUMENTS

D564,116 S *	3/2008	Linardos	D26/49
D621,538 S *	8/2010	Bushee	D26/49
D659,271 S *	5/2012	Nguyen	D26/49
D659,869 S *	5/2012	Prieto	D26/49
D678,572 S *	3/2013	Zhang	D26/49
D685,939 S *	7/2013	Cooper	D26/49
D698,961 S *	2/2014	Dalton	D26/49
D703,358 S *	4/2014	Shiu	D26/49

D709,230 S *	7/2014	Nguyen	D26/49
D709,231 S *	7/2014	Nguyen	D26/49
D719,694 S *	12/2014	Nawaz	D22/117

* cited by examiner

Primary Examiner — Ian Simmons

Assistant Examiner — Carissa C Fitts

(74) *Attorney, Agent, or Firm* — Thorpe North & Western LLP

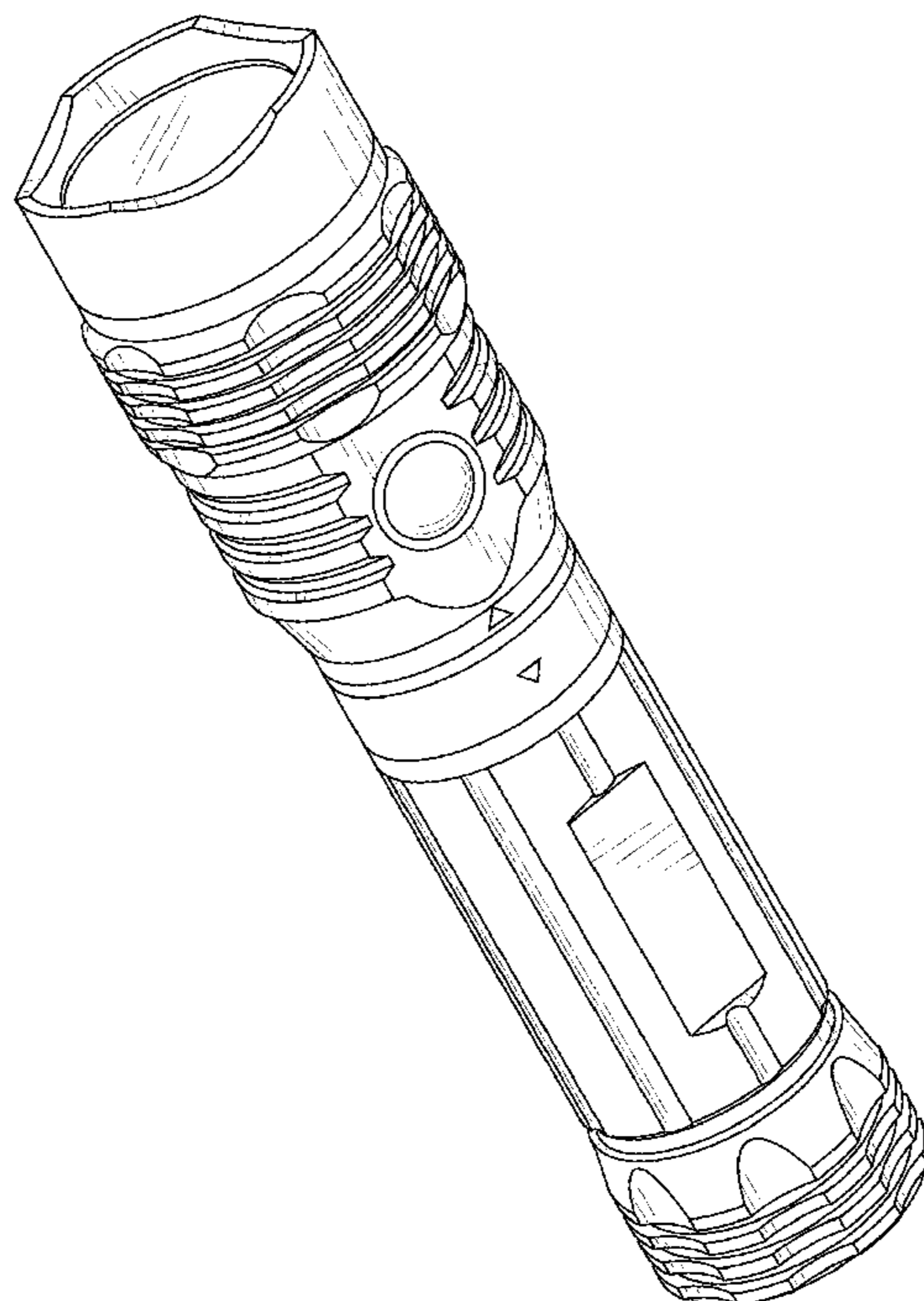
(57) **CLAIM**

The ornamental design for a flashlight, as shown and described.

DESCRIPTION

FIG. 1 is a perspective view of a flashlight in accordance with my invention;
 FIG. 2 is a front view of FIG. 1;
 FIG. 3 is a back view of FIG. 1;
 FIG. 4 is a side view of FIG. 2;
 FIG. 5 is a side view of FIG. 3;
 FIG. 6 is a top view of FIG. 1;
 FIG. 7 is a bottom view of FIG. 1;
 FIG. 8 is a perspective view of the flashlight of FIG. 1 in extended form;
 FIG. 9 is a front view of FIG. 8;
 FIG. 10 is a back view of FIG. 8;
 FIG. 11 is a side view of FIG. 9;
 FIG. 12 is a side view of FIG. 10;
 FIG. 13 is a top view of FIG. 8; and,
 FIG. 14 is a bottom view of FIG. 8.
 The broken line showing represents portions of the article not claimed and forms no part of the claimed design.

1 Claim, 8 Drawing Sheets



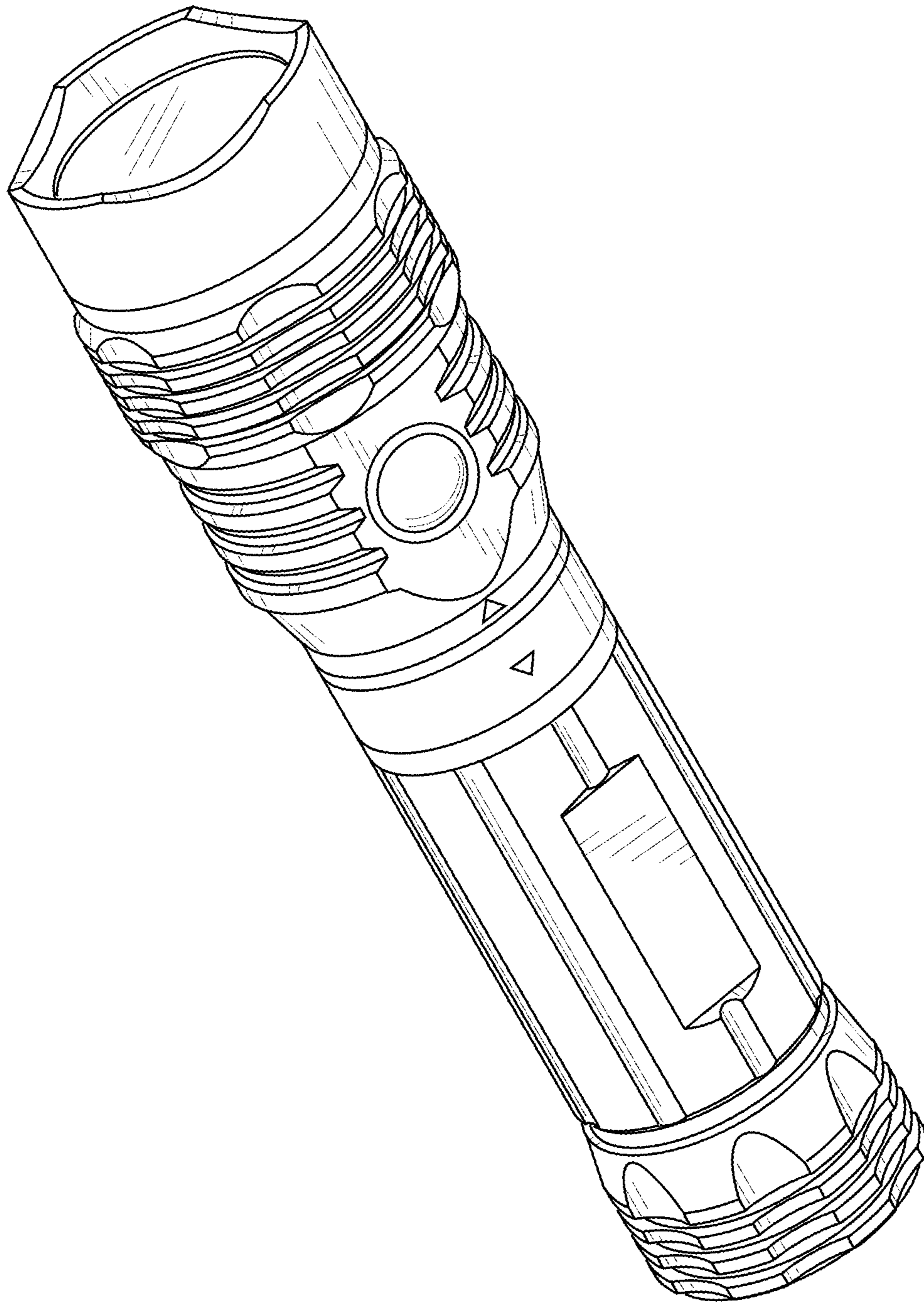


FIG. 1

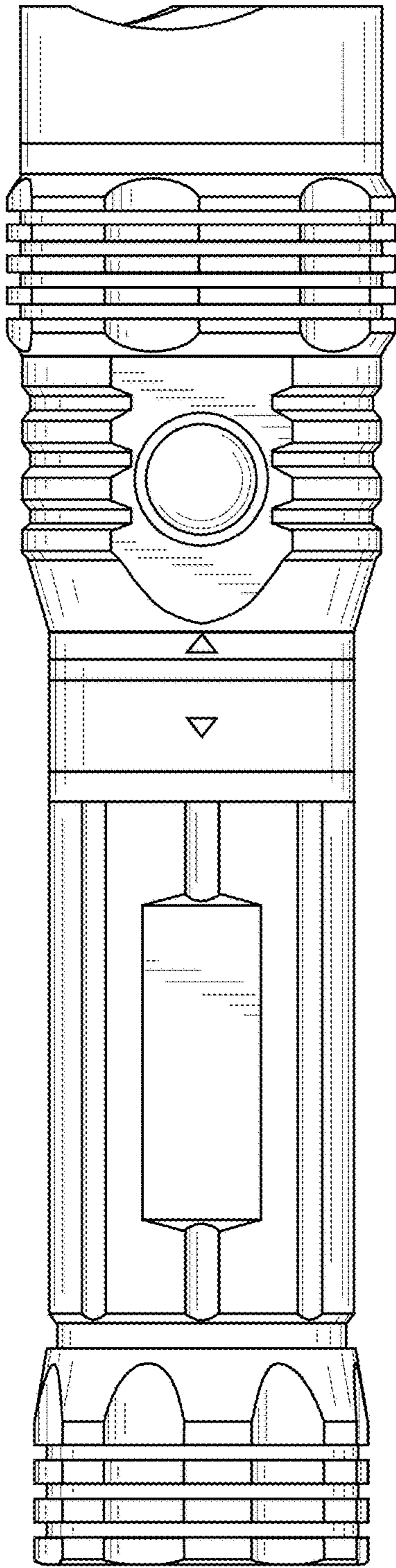


FIG. 2

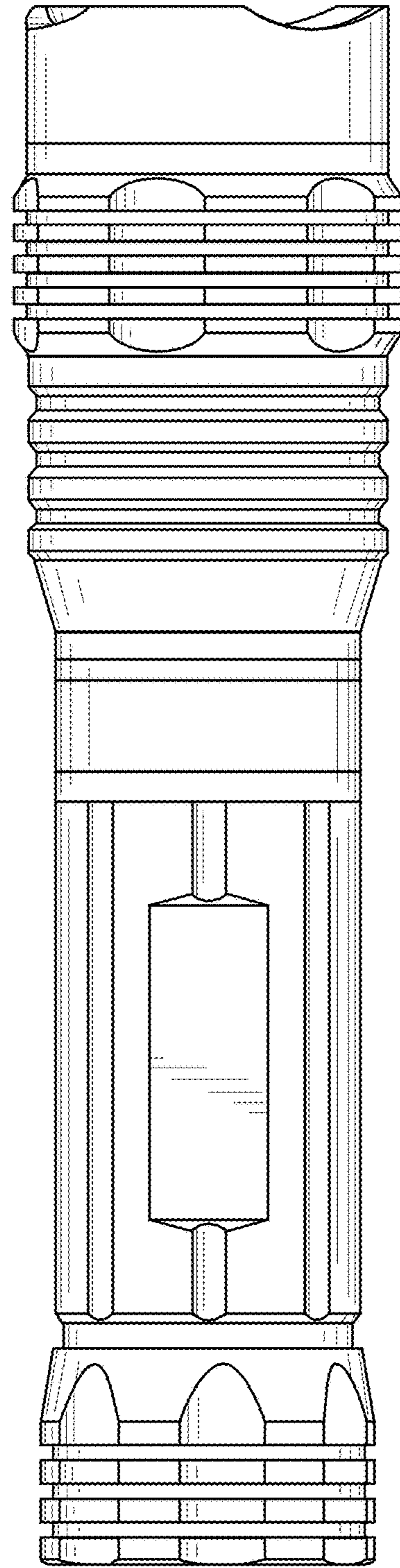


FIG. 3

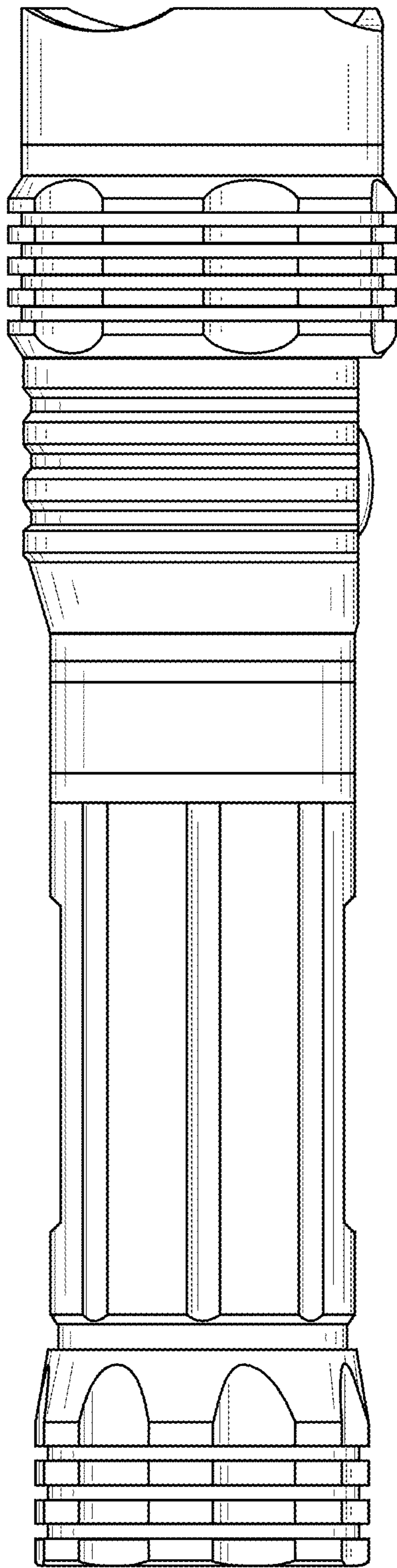


FIG. 4

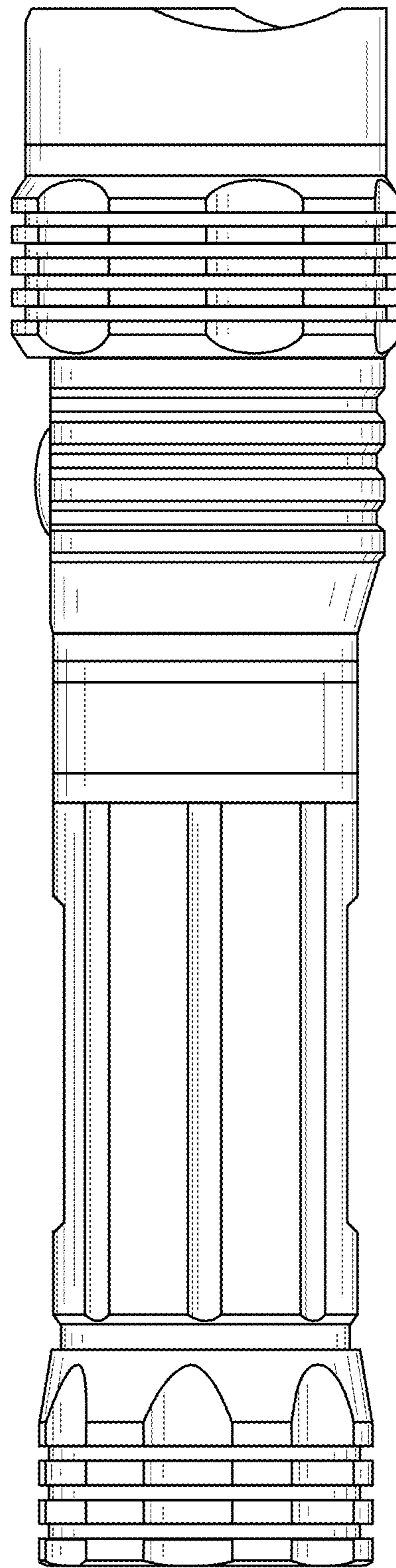


FIG. 5

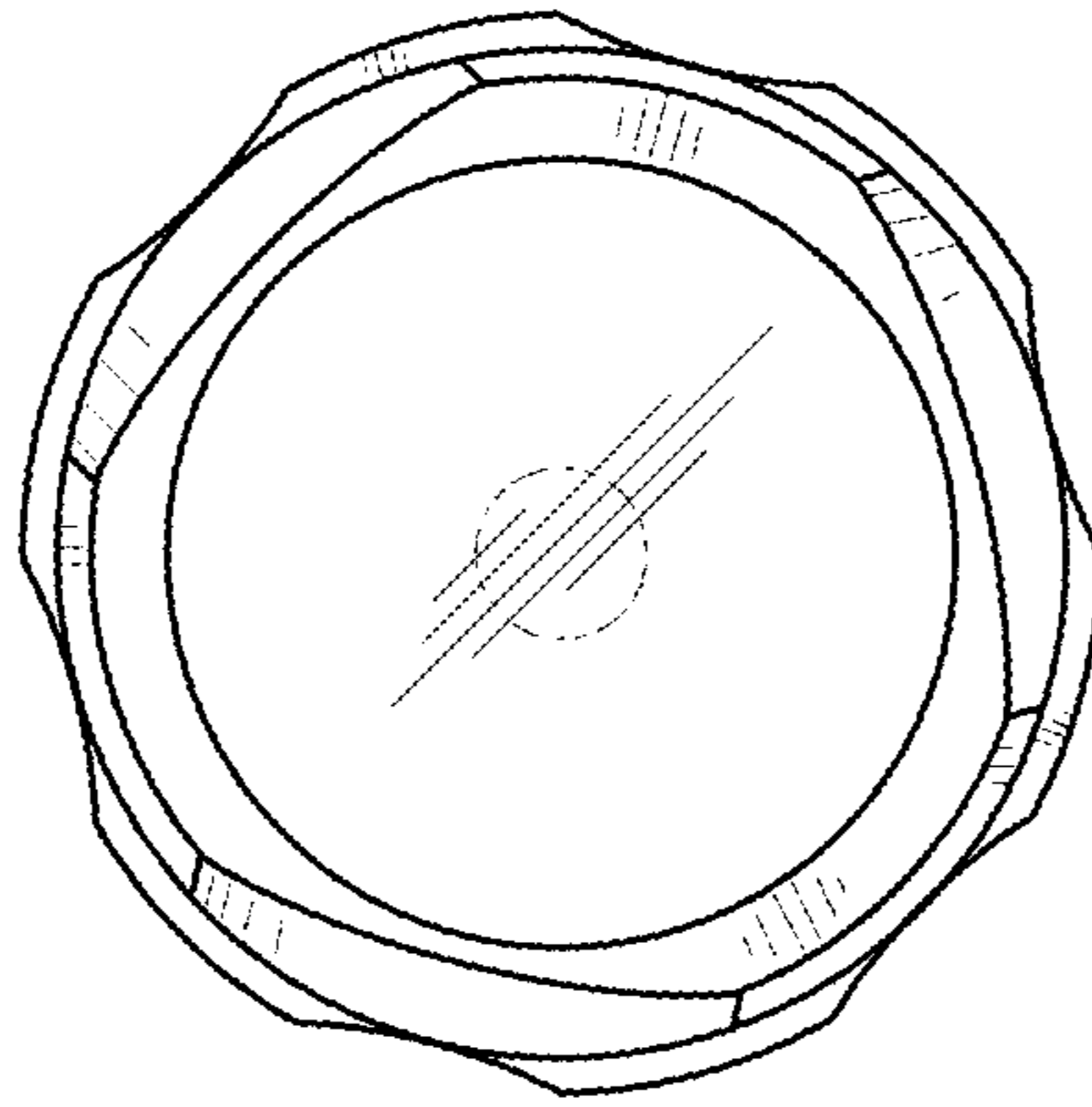


FIG. 6

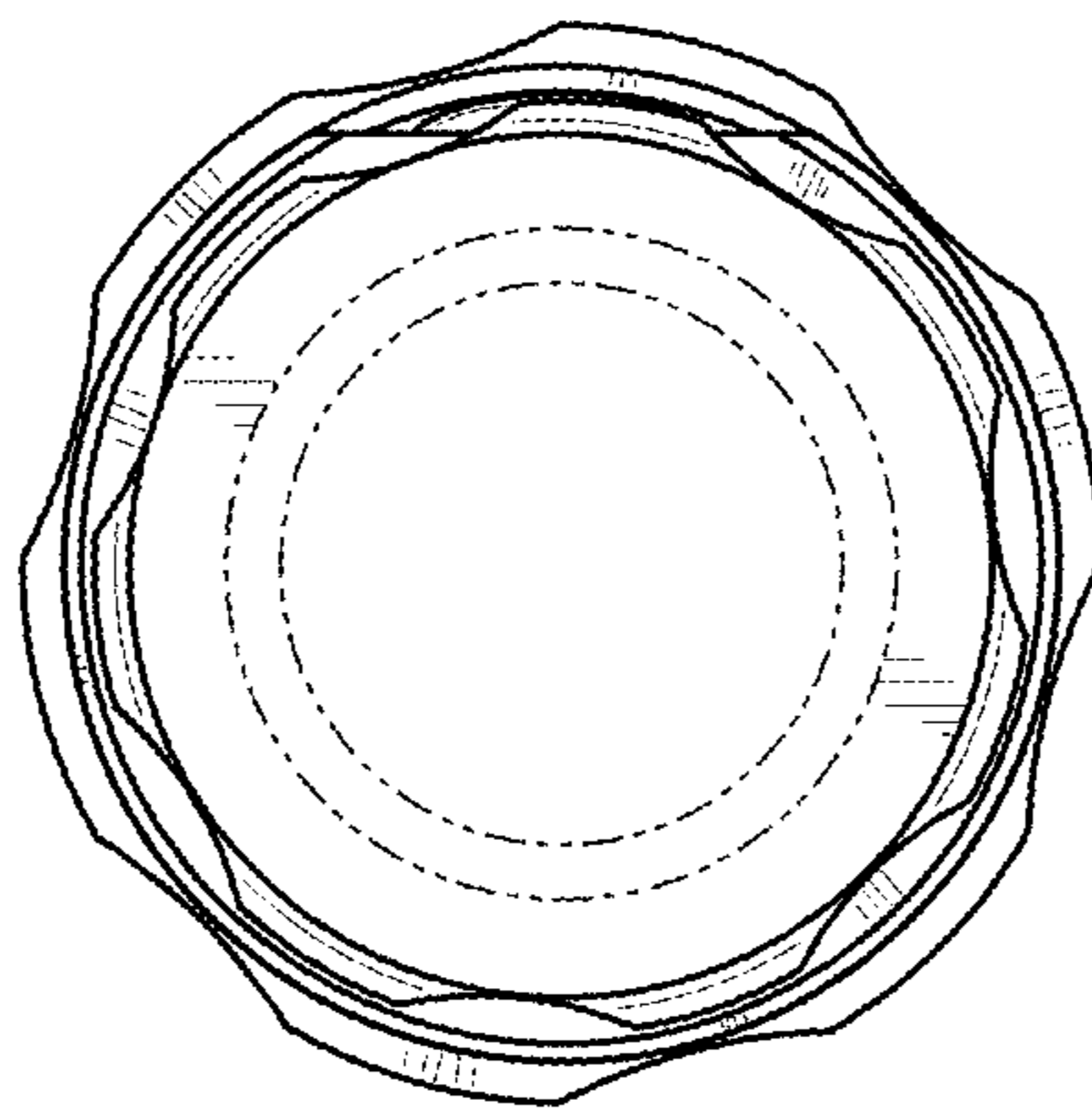


FIG. 7

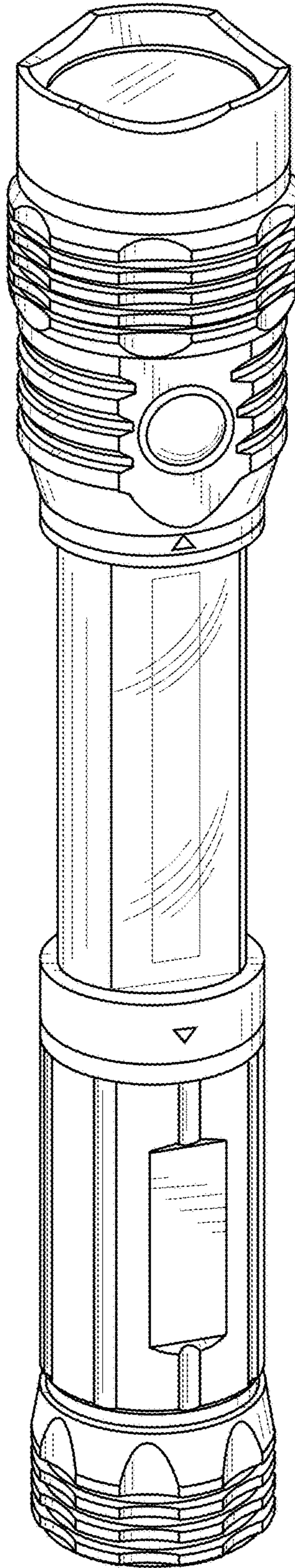


FIG. 8

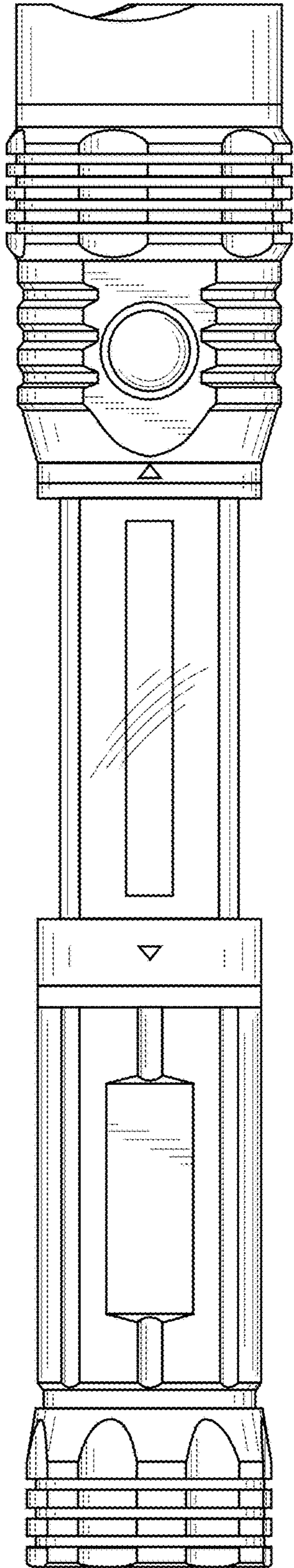


FIG. 9

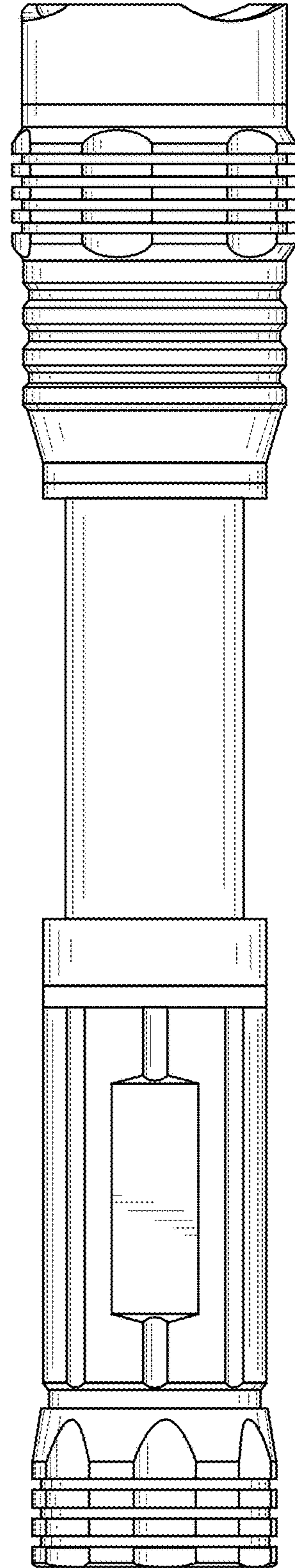


FIG. 10

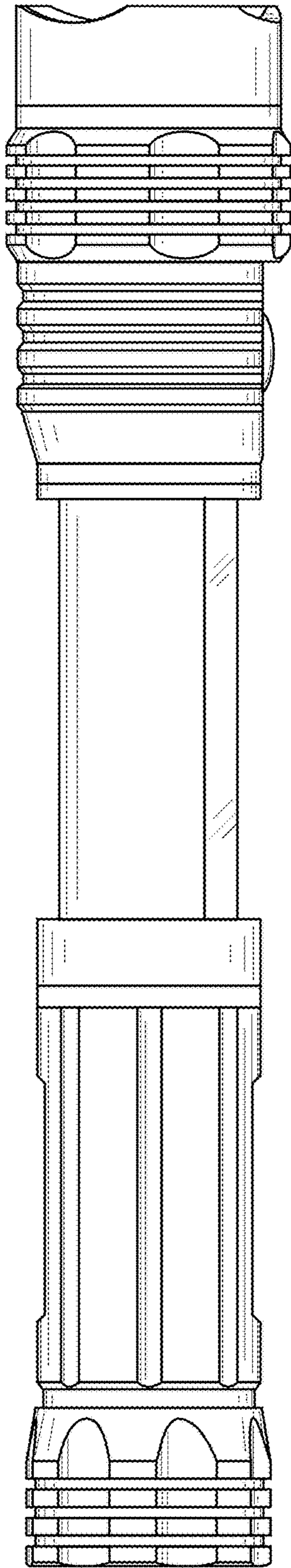


FIG. 11

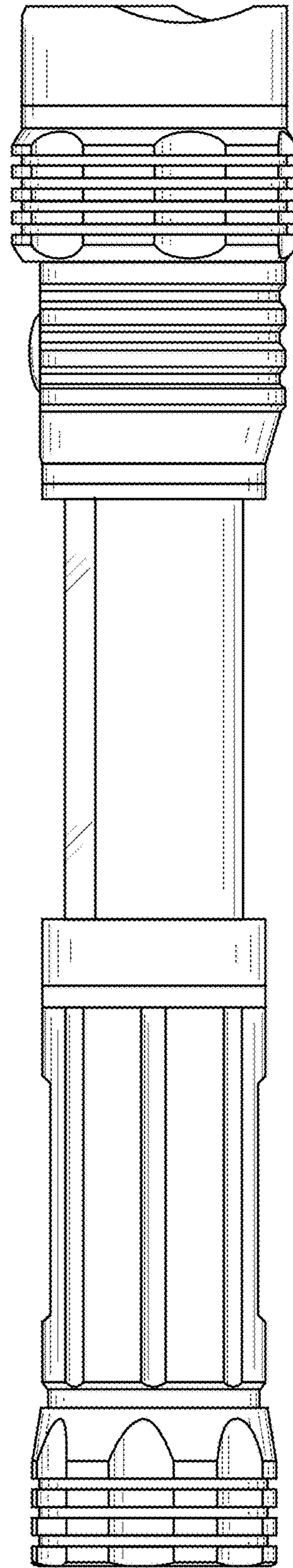


FIG. 12

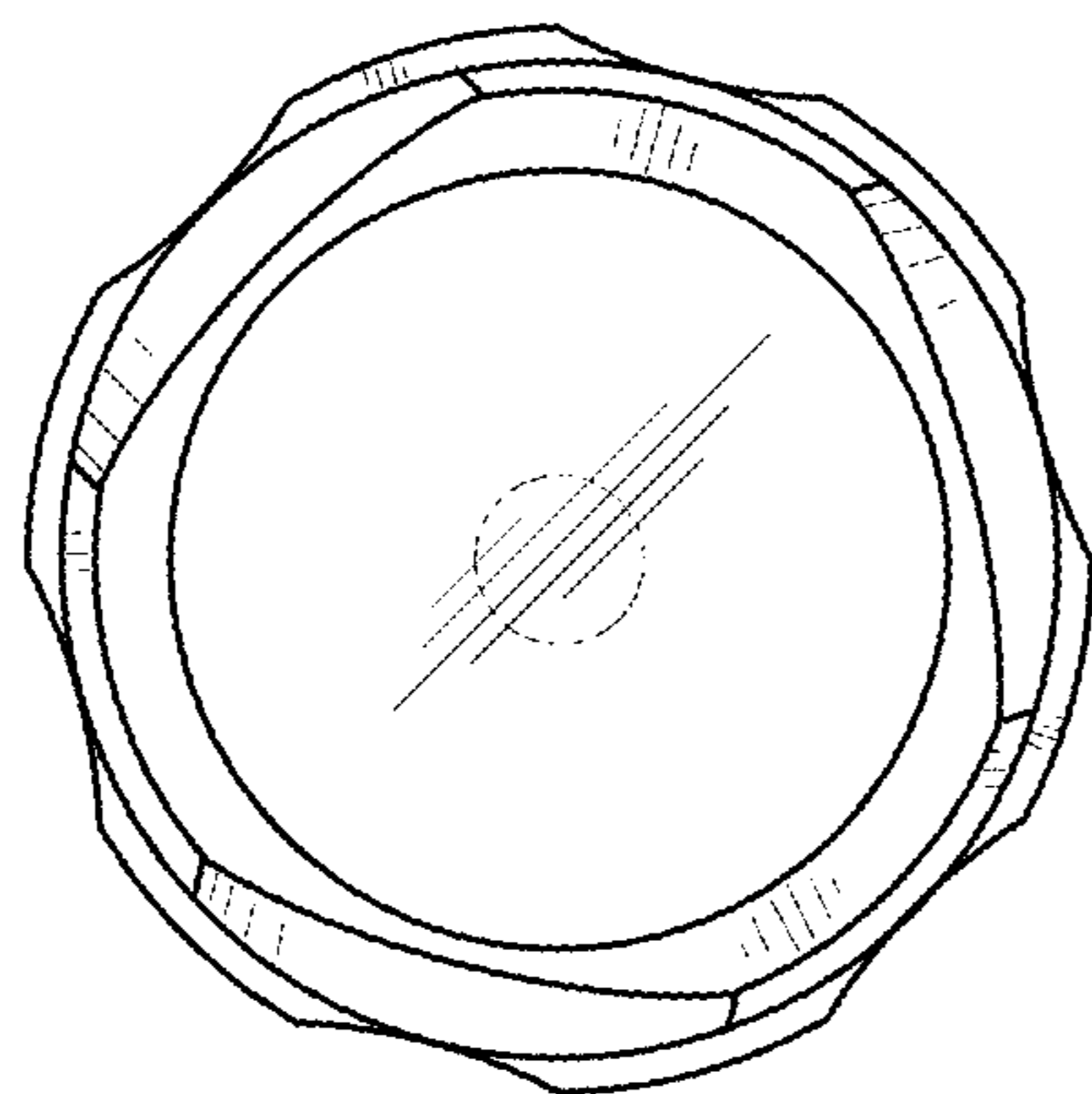


FIG. 13

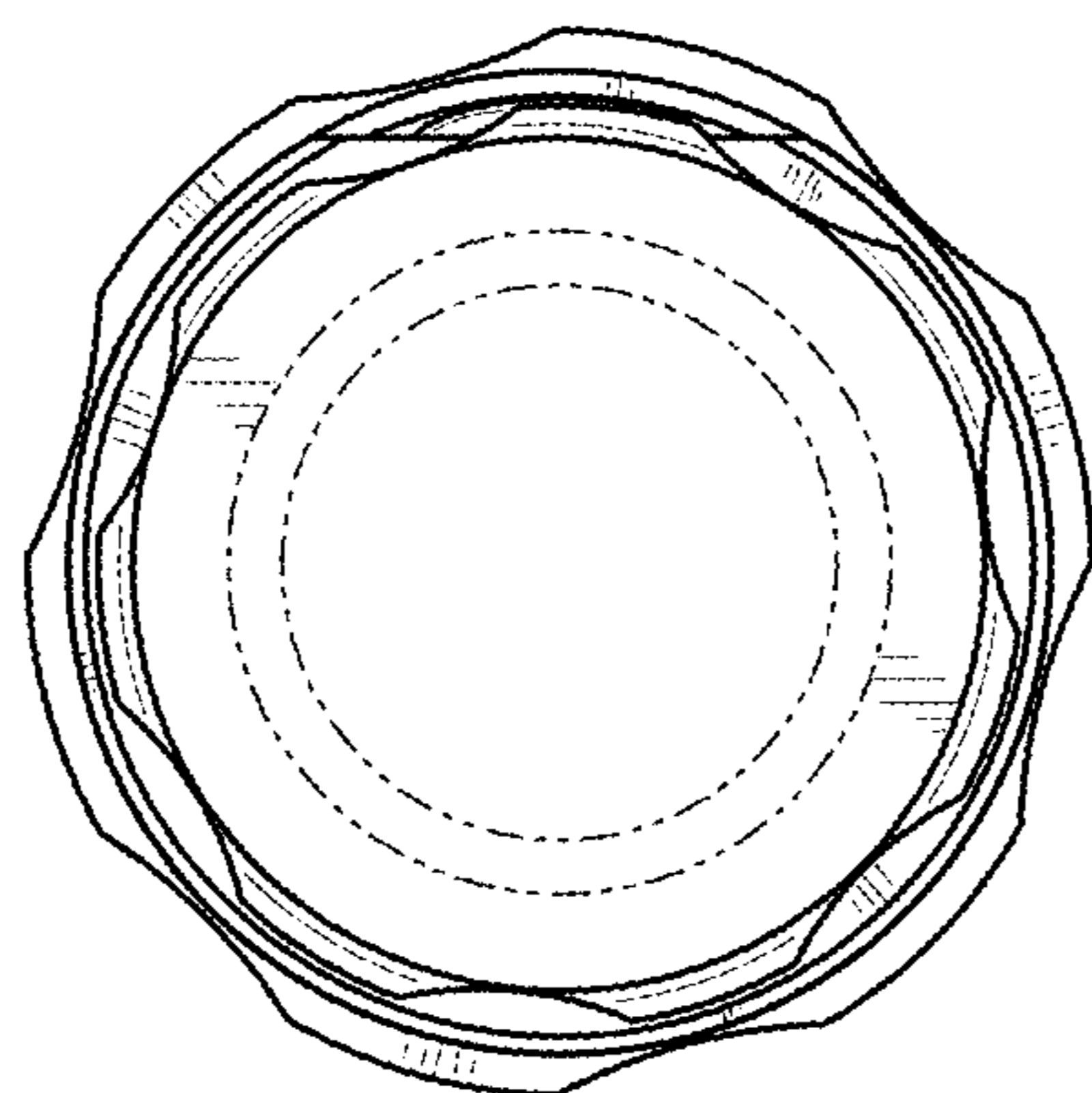


FIG. 14