



US00D786465S

(12) **United States Design Patent** (10) **Patent No.:** **US D786,465 S**  
**Goltche** (45) **Date of Patent:** **\*\* May 9, 2017**

(54) **SET OF LED LIGHT WINDSHIELD VISOR BARS**

*Primary Examiner* — Marcus Jackson  
(74) *Attorney, Agent, or Firm* — Dunlap Bennett & Ludwig PLLC

(71) Applicant: **Yehuda Goltche**, Great Neck, NY (US)

(72) Inventor: **Yehuda Goltche**, Great Neck, NY (US)

(57) **CLAIM**

(\*\*) Term: **15 Years**

The ornamental design for a set of LED light windshield visor bars, as shown and described.

(21) Appl. No.: **29/555,102**

(22) Filed: **Feb. 18, 2016**

**DESCRIPTION**

(51) **LOC (10) Cl.** ..... **26-06**

(52) **U.S. Cl.**  
USPC ..... **D26/31**

(58) **Field of Classification Search**  
USPC ..... D26/28–36; 362/80–83, 267–269,  
362/459–468, 475–478, 485–487  
CPC ..... F21S 48/00; F21S 48/10; F21S 48/115;  
F21S 48/1233; F21S 48/1266; F21S  
48/1388; F21S 48/2268; F21V 21/02;  
F21V 21/04; B60Q 1/0483  
See application file for complete search history.

FIG. 1 is a top front perspective view of a first embodiment for a set of LED light windshield visor bars; FIG. 2 is a front elevation view of FIG. 1; FIG. 3 is a rear elevation view of FIG. 1; FIG. 4 is a right elevation view of FIG. 1, the left side elevation view being a mirror image thereof; FIG. 5 is a top plan view of FIG. 1; FIG. 6 is a bottom plan view of FIG. 1; FIG. 7 is a top front perspective view of a second embodiment for the set of LED light windshield visor bars; FIG. 8 is a front elevation view of FIG. 7; FIG. 9 is a rear elevation view of FIG. 7; FIG. 10 is a right elevation view of FIG. 7; FIG. 11 is a left side elevation view of FIG. 7; FIG. 12 is a top plan view of FIG. 7; and, FIG. 13 is a bottom plan view of FIG. 7.

(56) **References Cited**

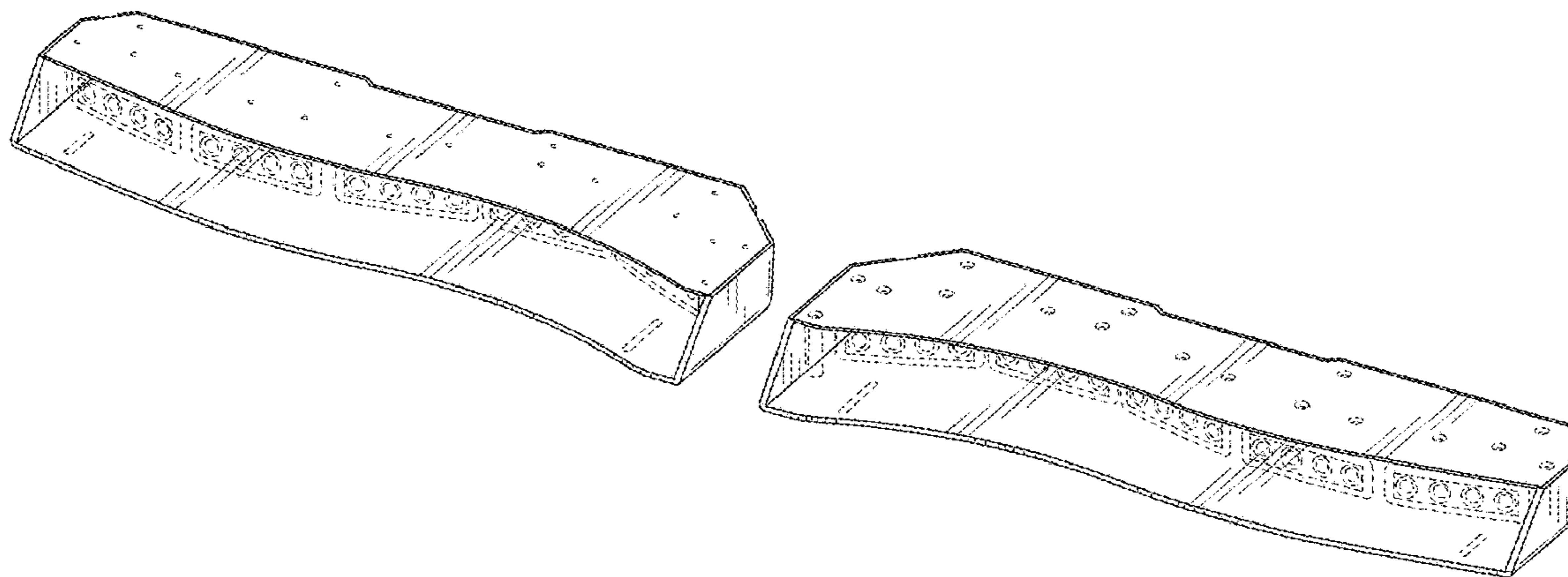
**U.S. PATENT DOCUMENTS**

D499,198 S *	11/2004	Cowan	.....	D26/31
D564,683 S *	3/2008	Roach	.....	D26/28
D656,258 S *	3/2012	Georgitsis	.....	B60Q 1/0483
				D26/31
D676,990 S *	2/2013	Adams	.....	D26/31

The broken lines shown in the drawings depict portions of the set of LED light windshield visor bars that form no part of the claimed design.

\* cited by examiner

**1 Claim, 4 Drawing Sheets**



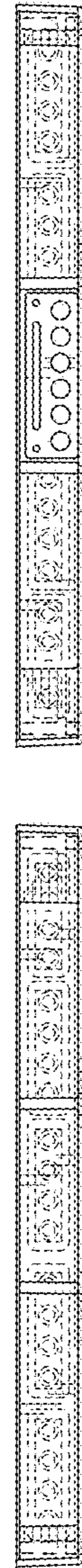
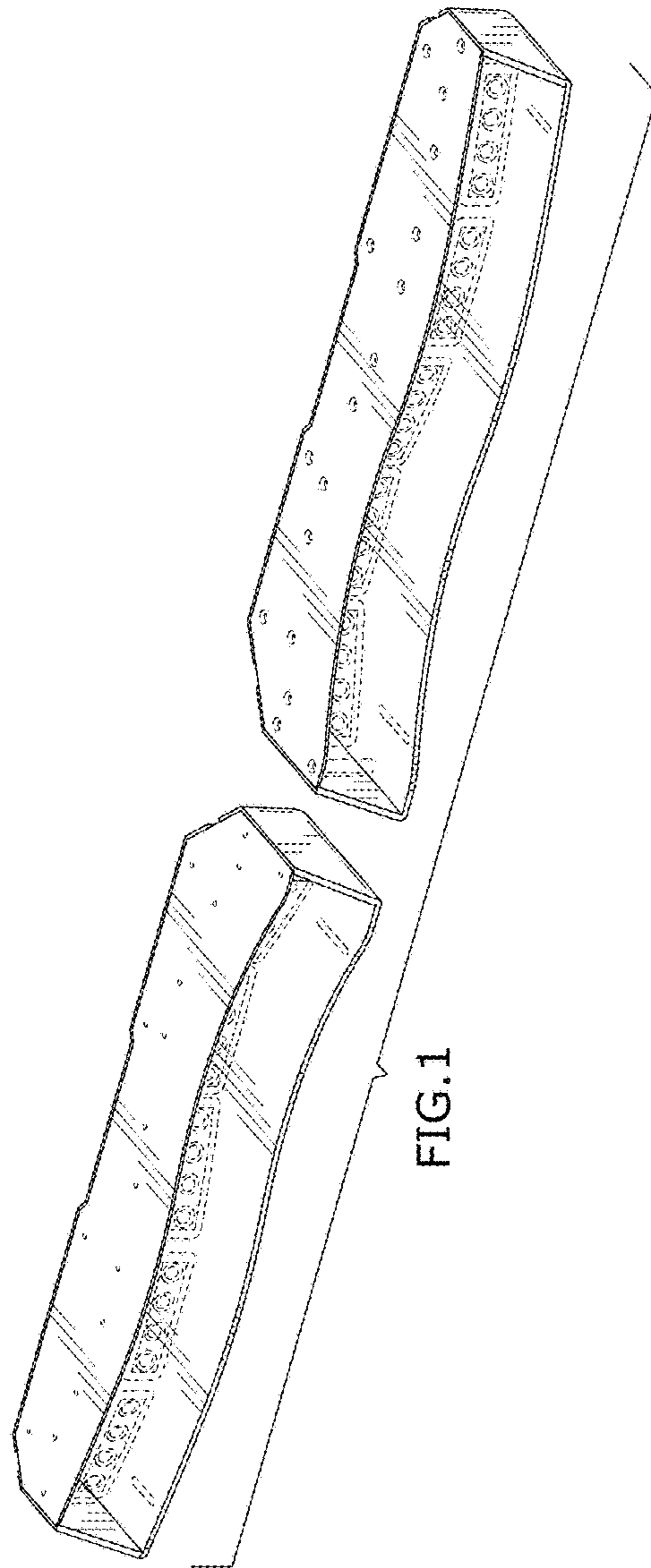


FIG. 2

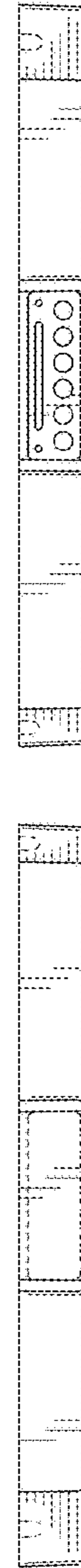


FIG. 3

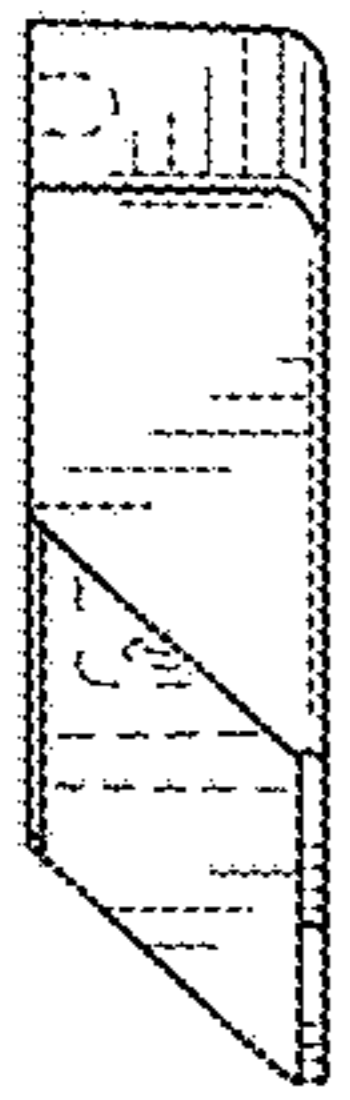


FIG. 4

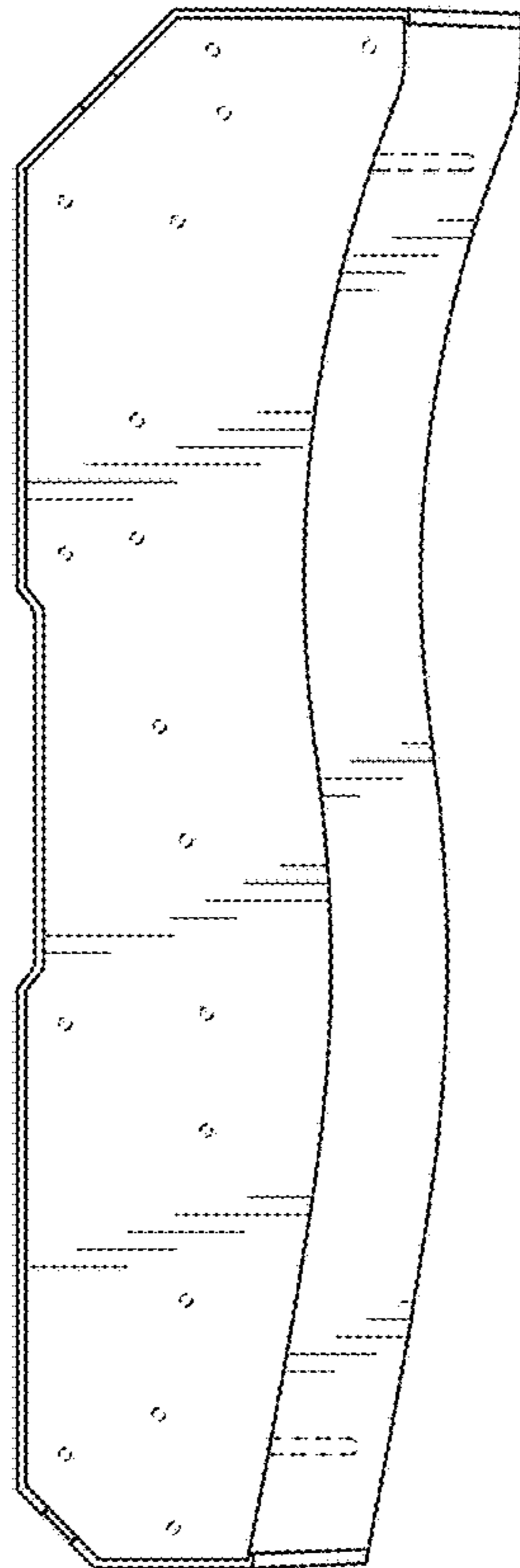
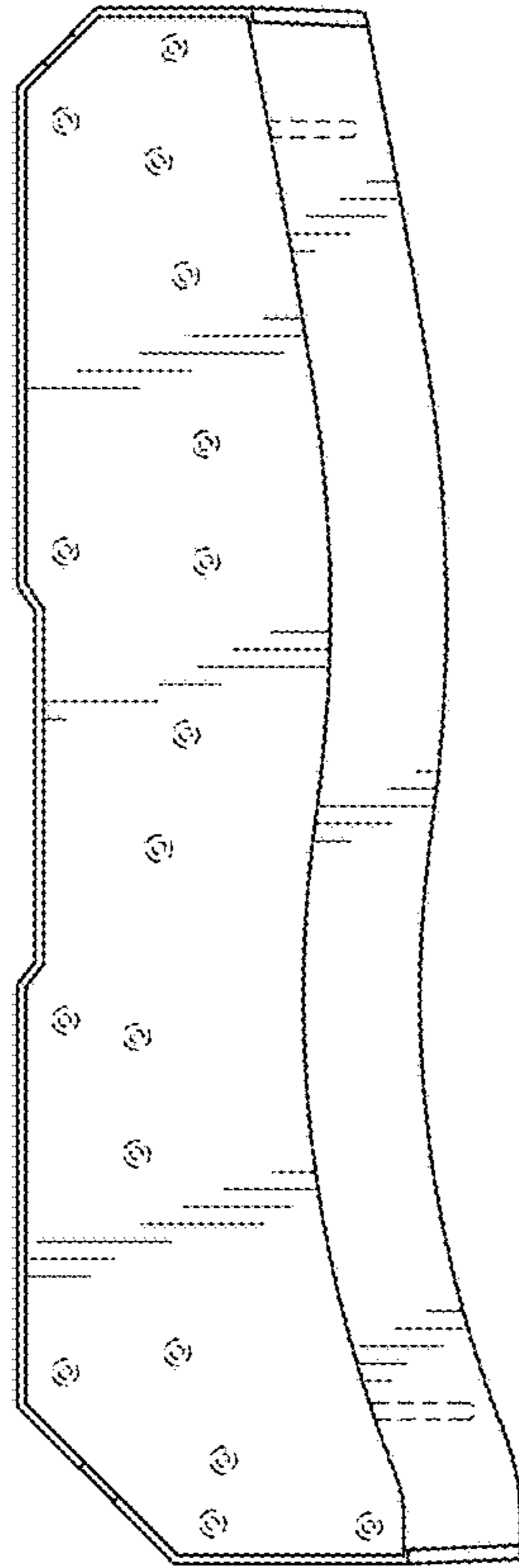


FIG. 5

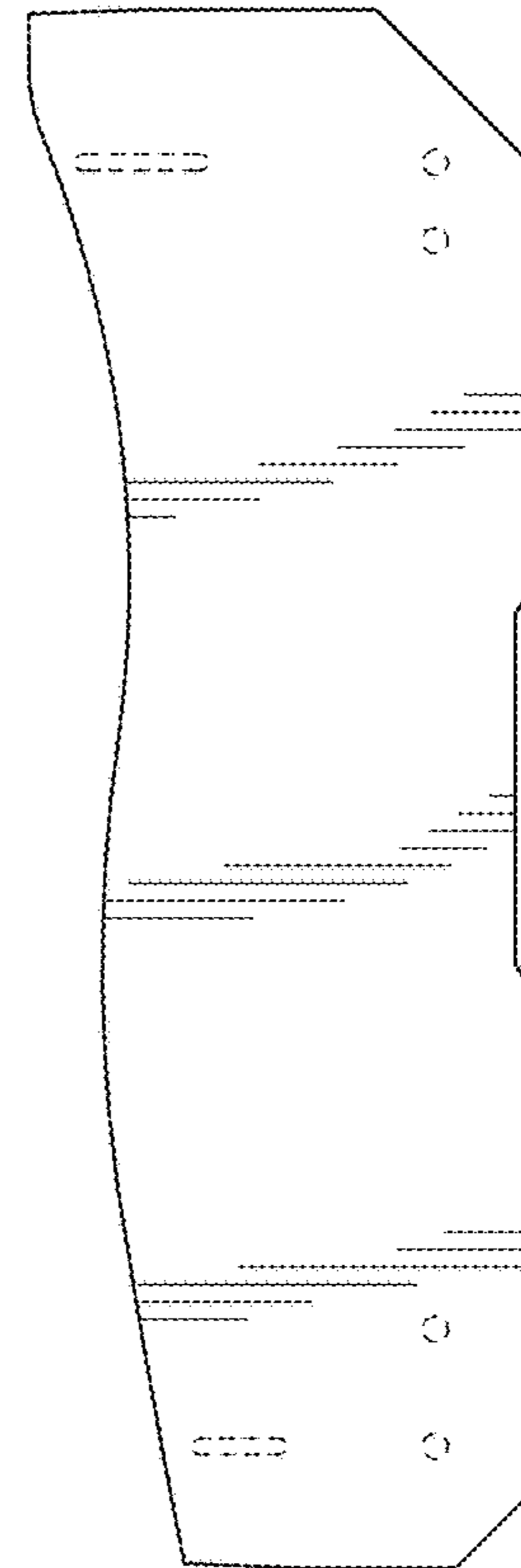
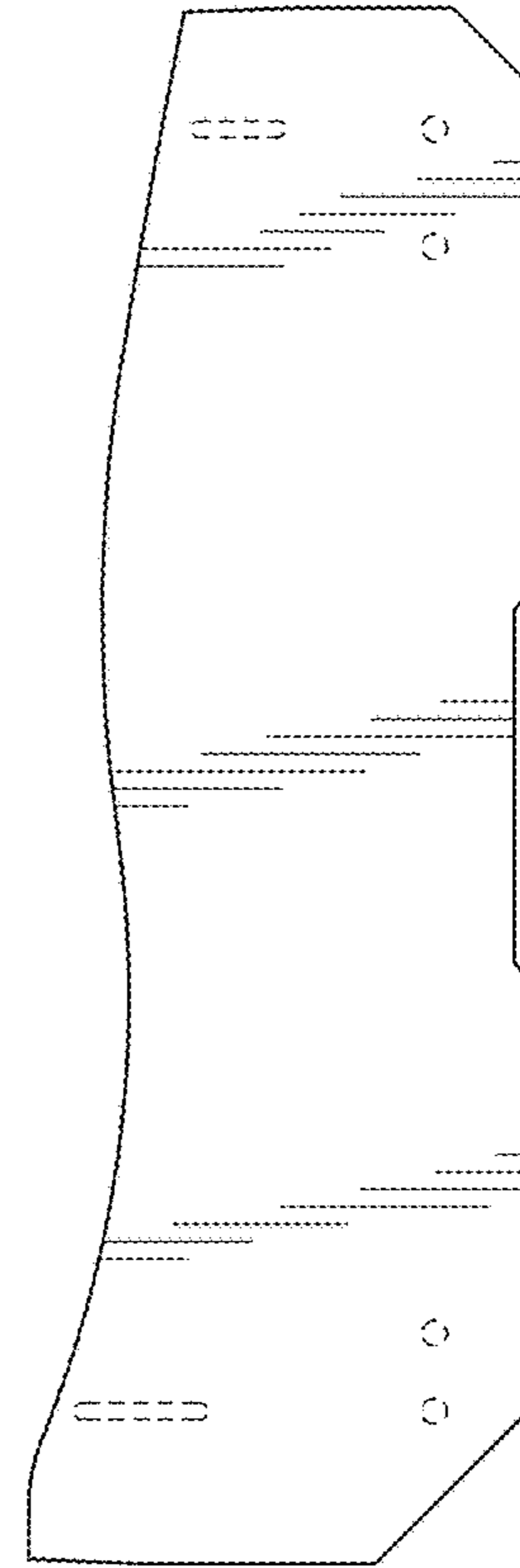


FIG. 6

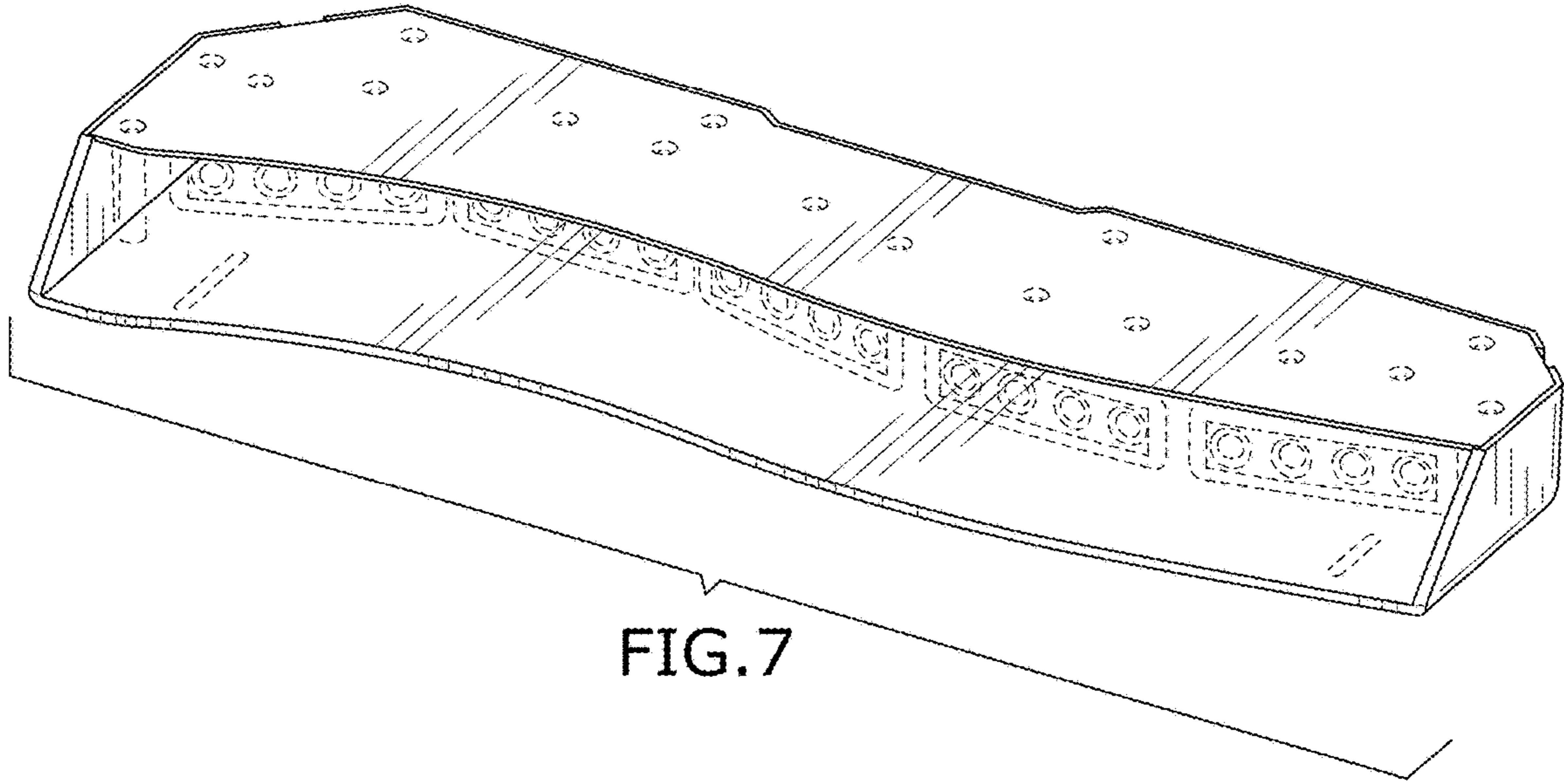


FIG. 7

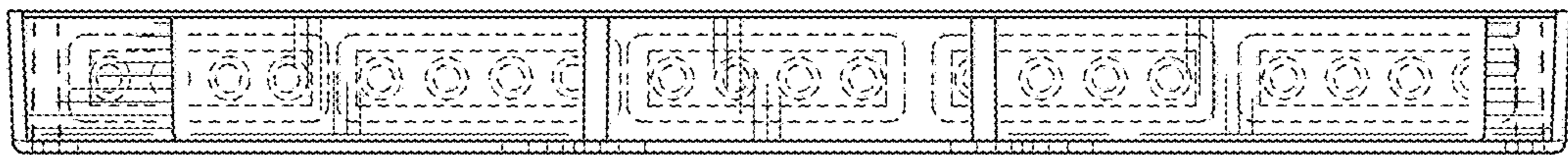


FIG. 8

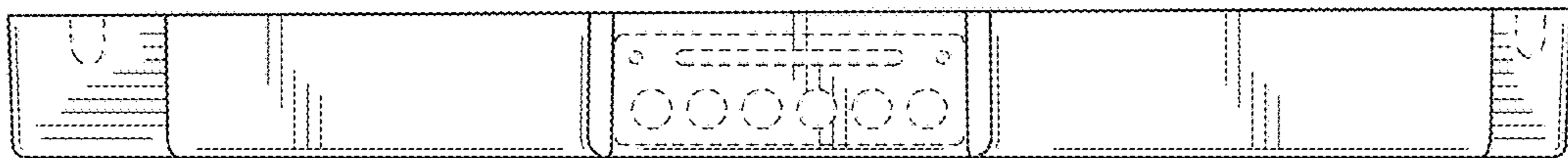


FIG. 9

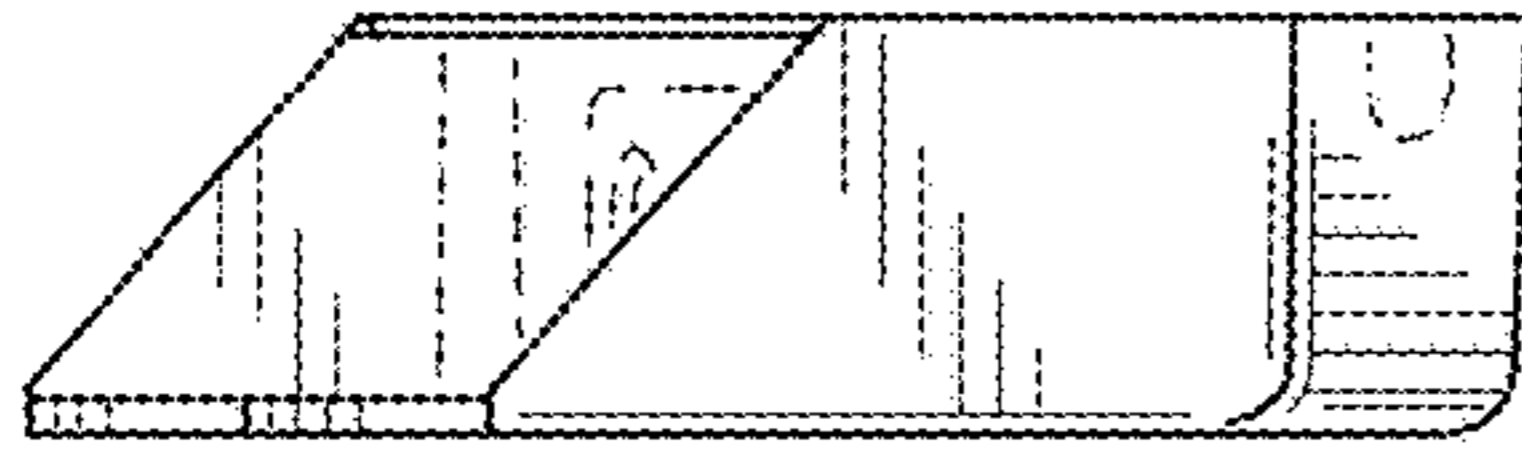


FIG. 10

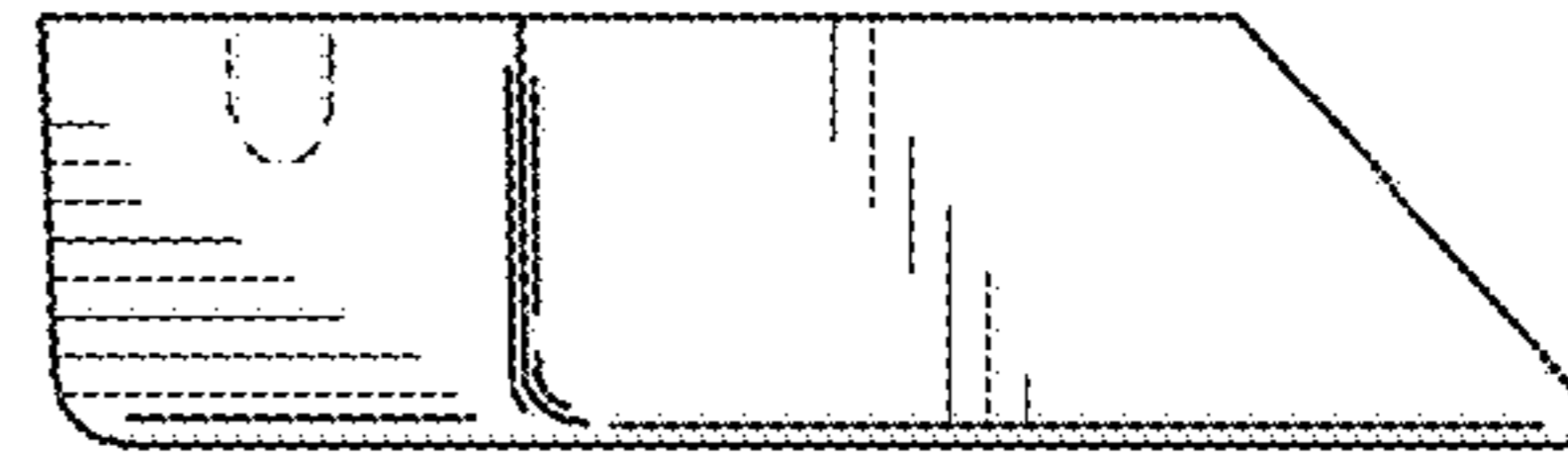


FIG. 11

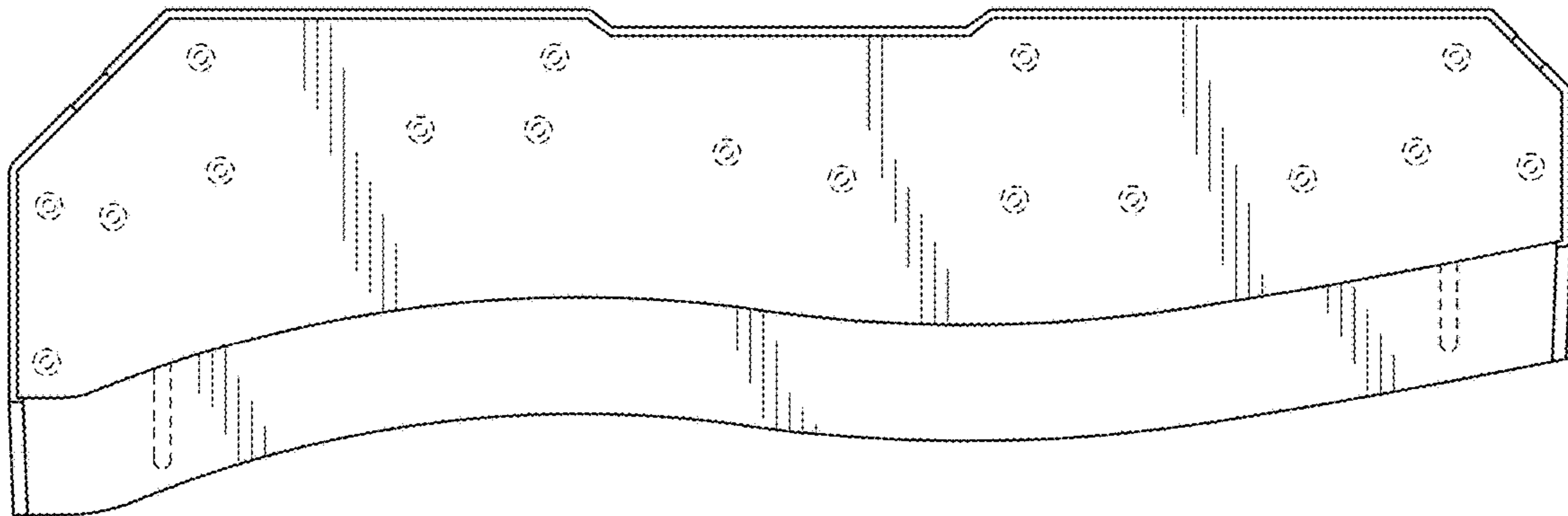


FIG. 12

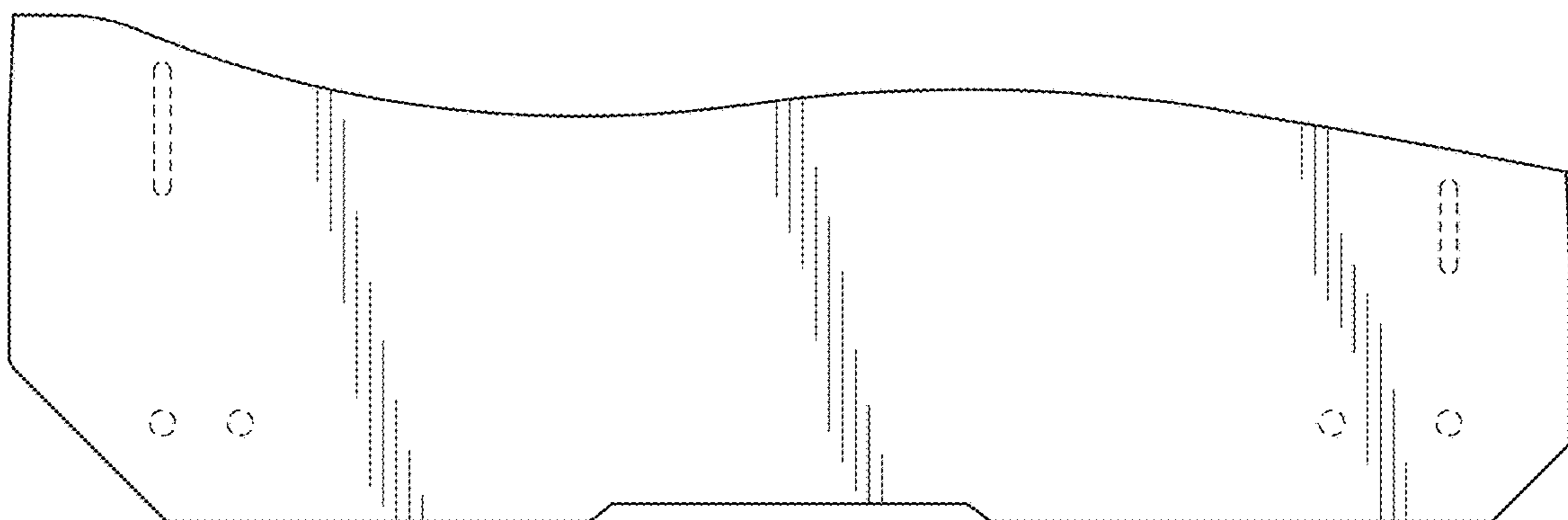


FIG. 13