



US00D786460S

(12) **United States Design Patent**
Wu et al.

(10) **Patent No.:** **US D786,460 S**

(45) **Date of Patent:** **** May 9, 2017**

(54) **LED PACKAGE**

(71) Applicant: **UNITY OPTO TECHNOLOGY CO., LTD.**, New Taipei (TW)

(72) Inventors: **Ching-Huei Wu**, New Taipei (TW);
Wei-Chung Lin, New Taipei (TW);
Yung-Ching Hu, New Taipei (TW);
Cheng-Chien Ou, New Taipei (TW)

(73) Assignee: **Unity Opto Technology Co., Ltd.**,
New Taipei (TW)

(**) Term: **15 Years**

(21) Appl. No.: **29/551,525**

(22) Filed: **Jan. 14, 2016**

(30) **Foreign Application Priority Data**

Dec. 15, 2015 (TW) 104306983

(51) **LOC (10) Cl.** **26-04**

(52) **U.S. Cl.**
USPC **D26/1; D13/180**

(58) **Field of Classification Search**
USPC **D26/1-4; 313/313, 315, 316, 317, 318,**
313/493; 315/52, 53, 56, 57, 58

See application file for complete search history.

(56) **References Cited**

U.S. PATENT DOCUMENTS

D634,863 S * 3/2011 Leung D26/1
D667,145 S * 9/2012 Bierhuizen D26/1

* cited by examiner

Primary Examiner — Marcus Jackson

(74) *Attorney, Agent, or Firm* — Rosenberg, Klein & Lee

(57) **CLAIM**

The ornamental design for a “LED package,” as shown and described.

DESCRIPTION

FIG. 1 is a perspective view of a “LED package” showing my new design;

FIG. 2 is a front view thereof;

FIG. 3 is a rear view thereof;

FIG. 4 is a left side view thereof;

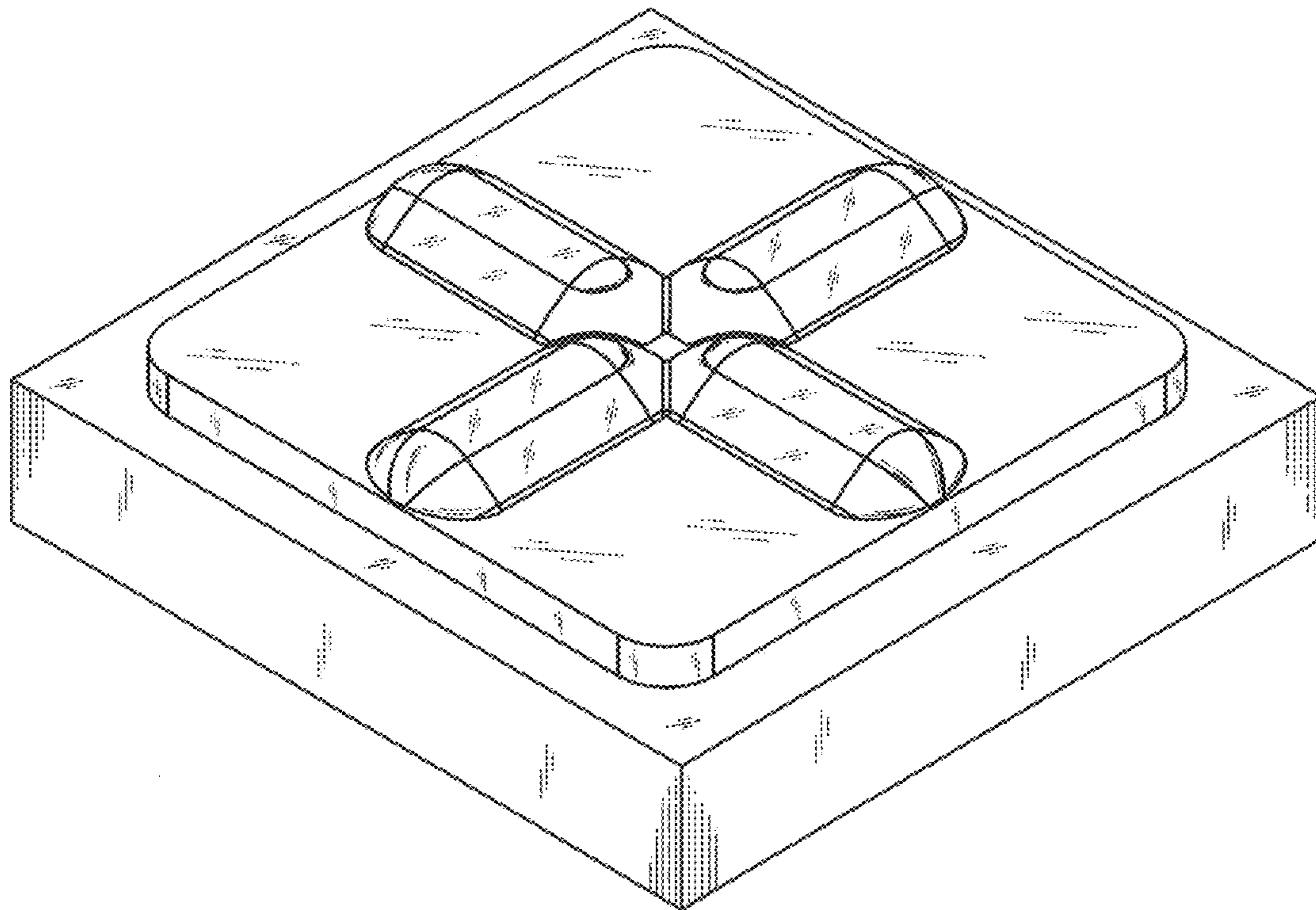
FIG. 5 is a right side view thereof;

FIG. 6 is a top view thereof;

FIG. 7 is a bottom view thereof; and,

FIG. 8 is another perspective view thereof.

1 Claim, 6 Drawing Sheets



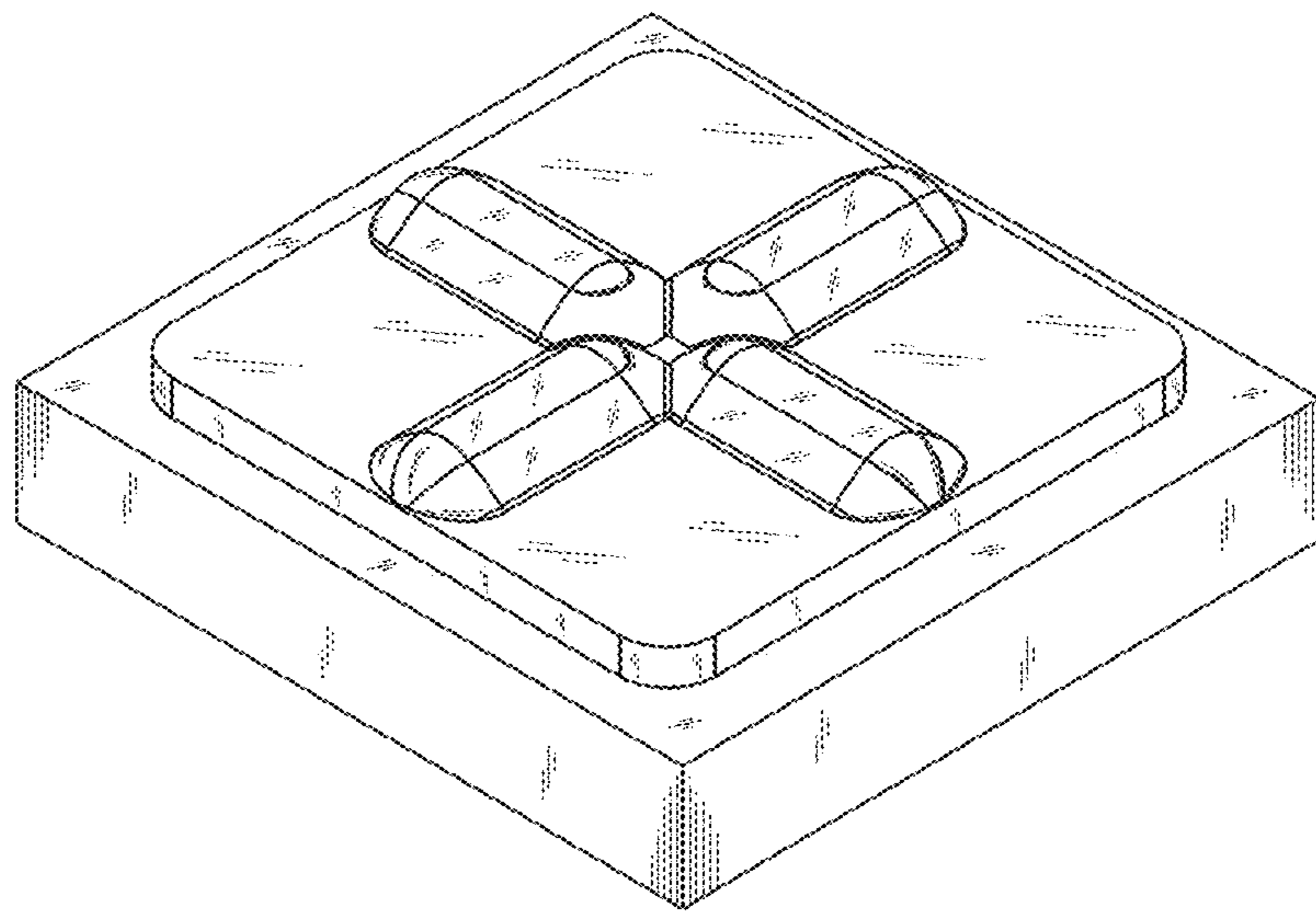


Fig. 1

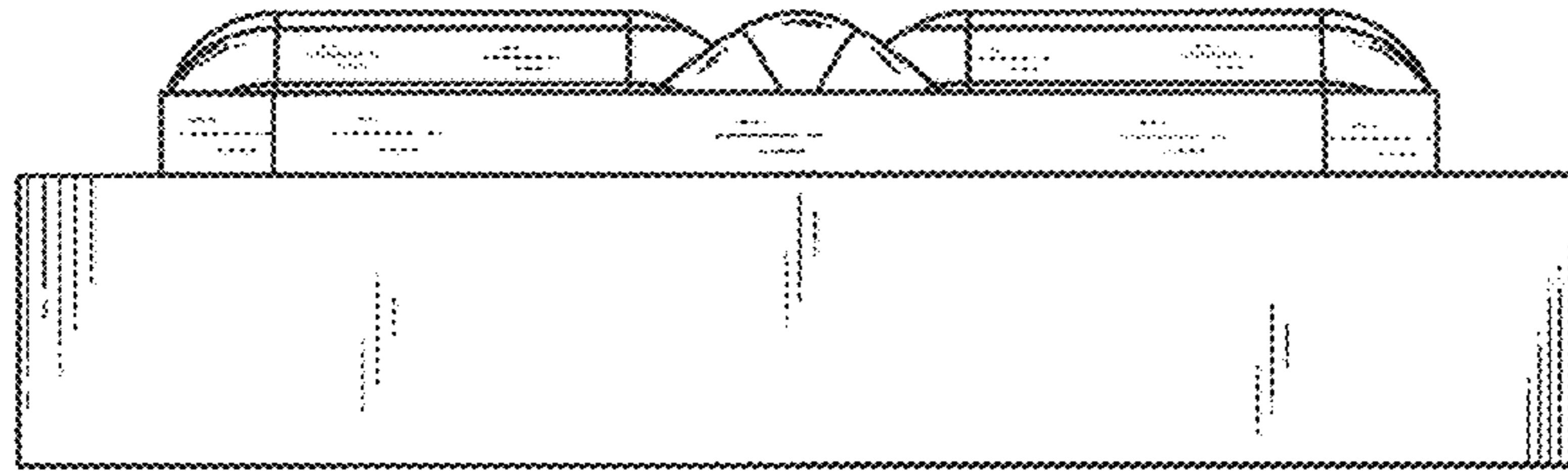


Fig. 2

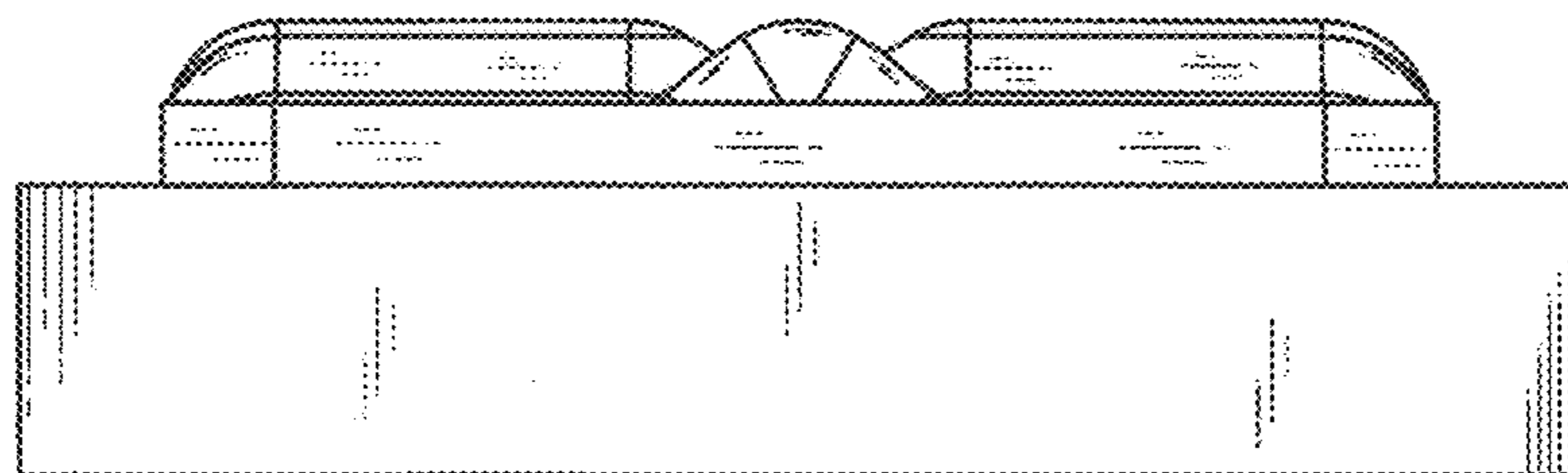


Fig. 3

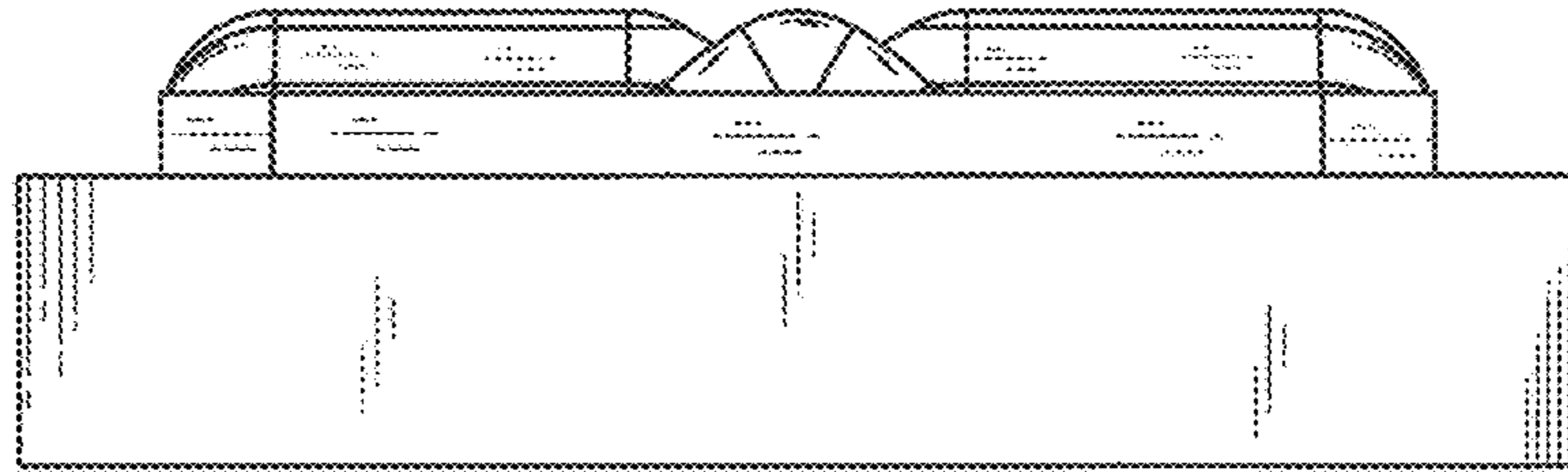


Fig. 4

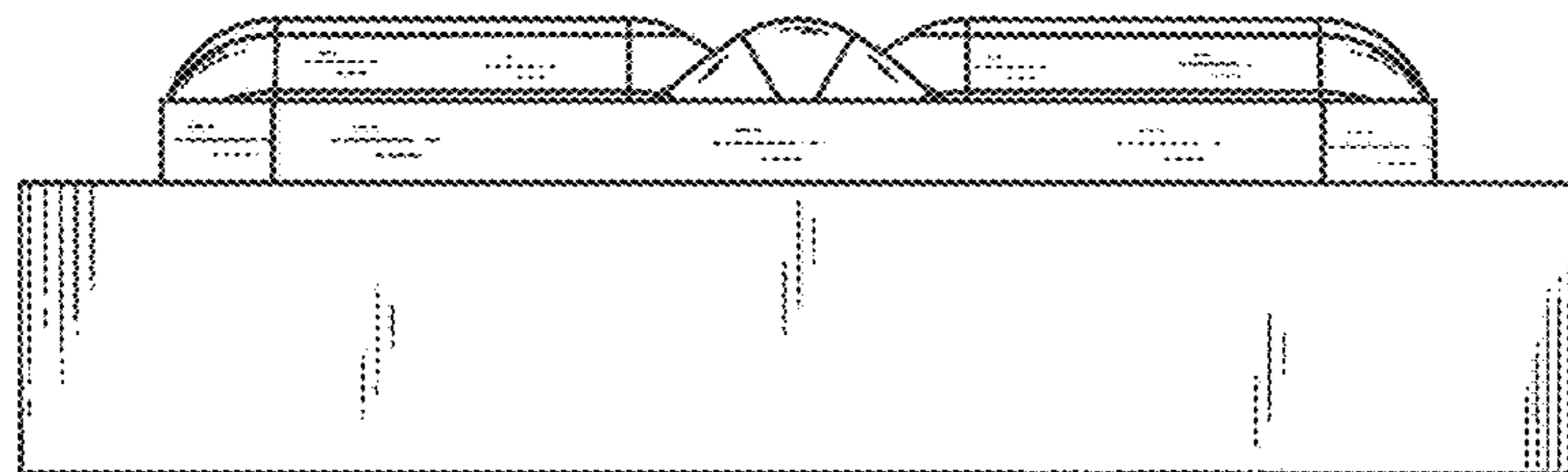


Fig. 5

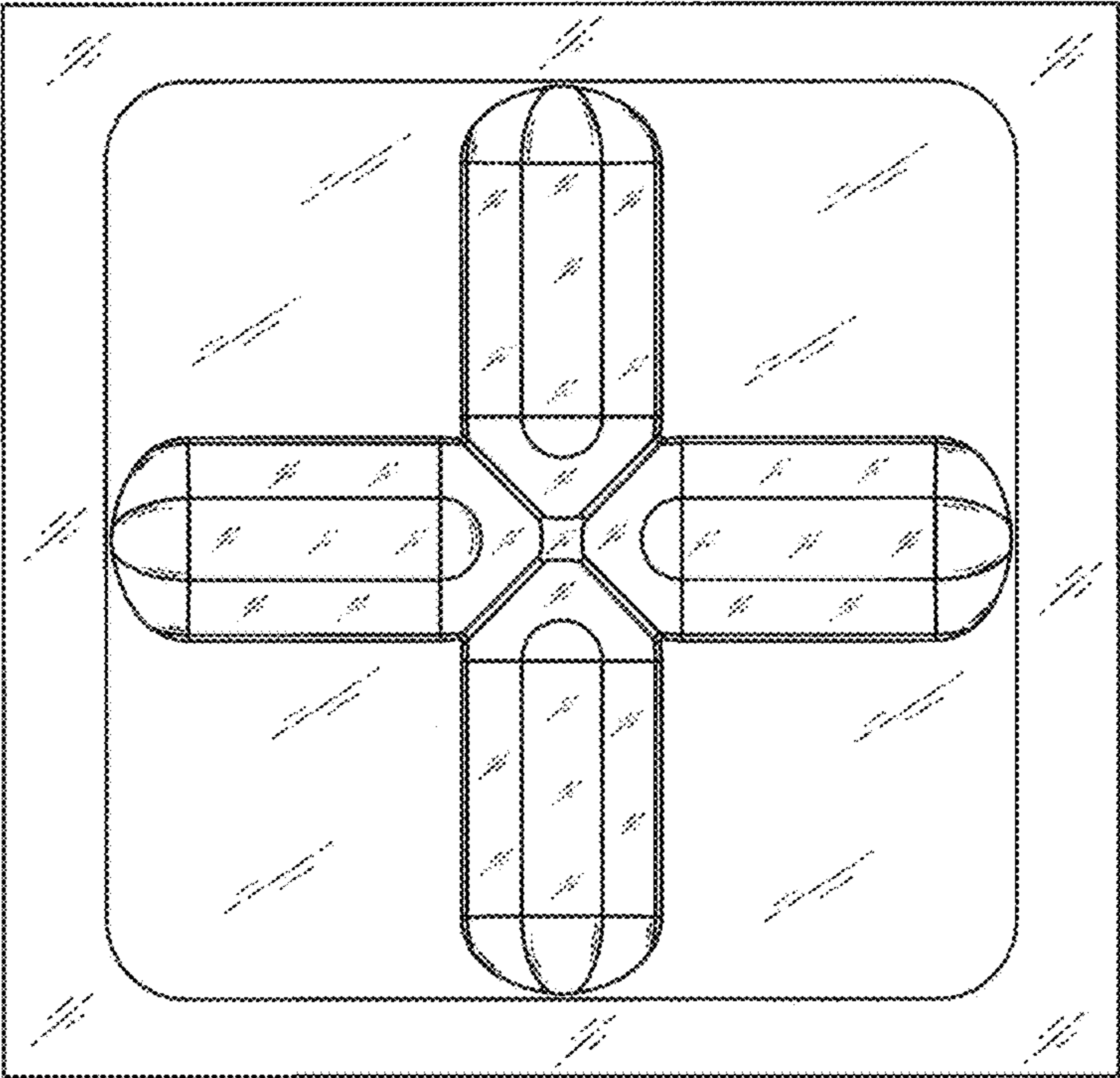


Fig. 6

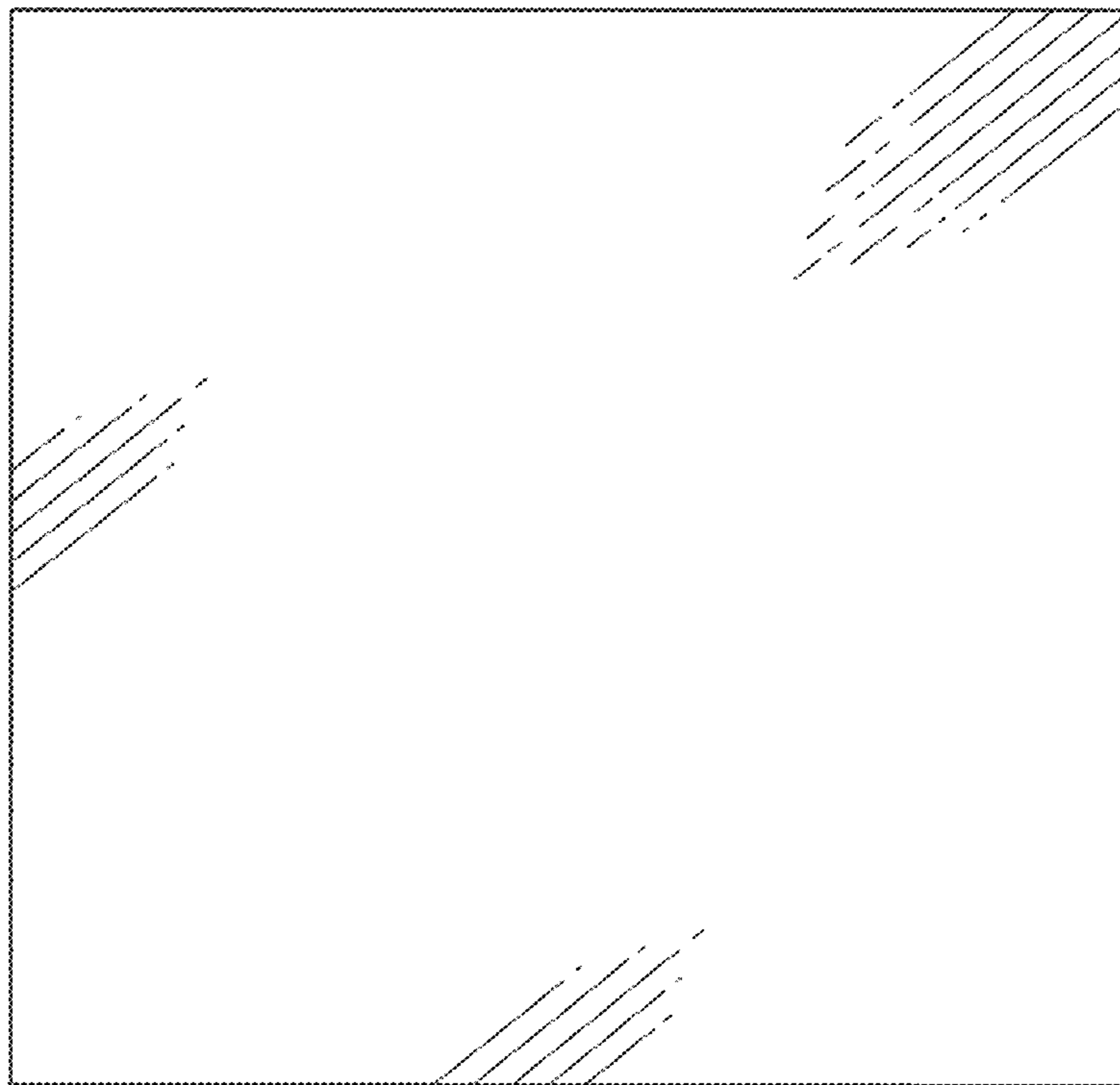


Fig. 7

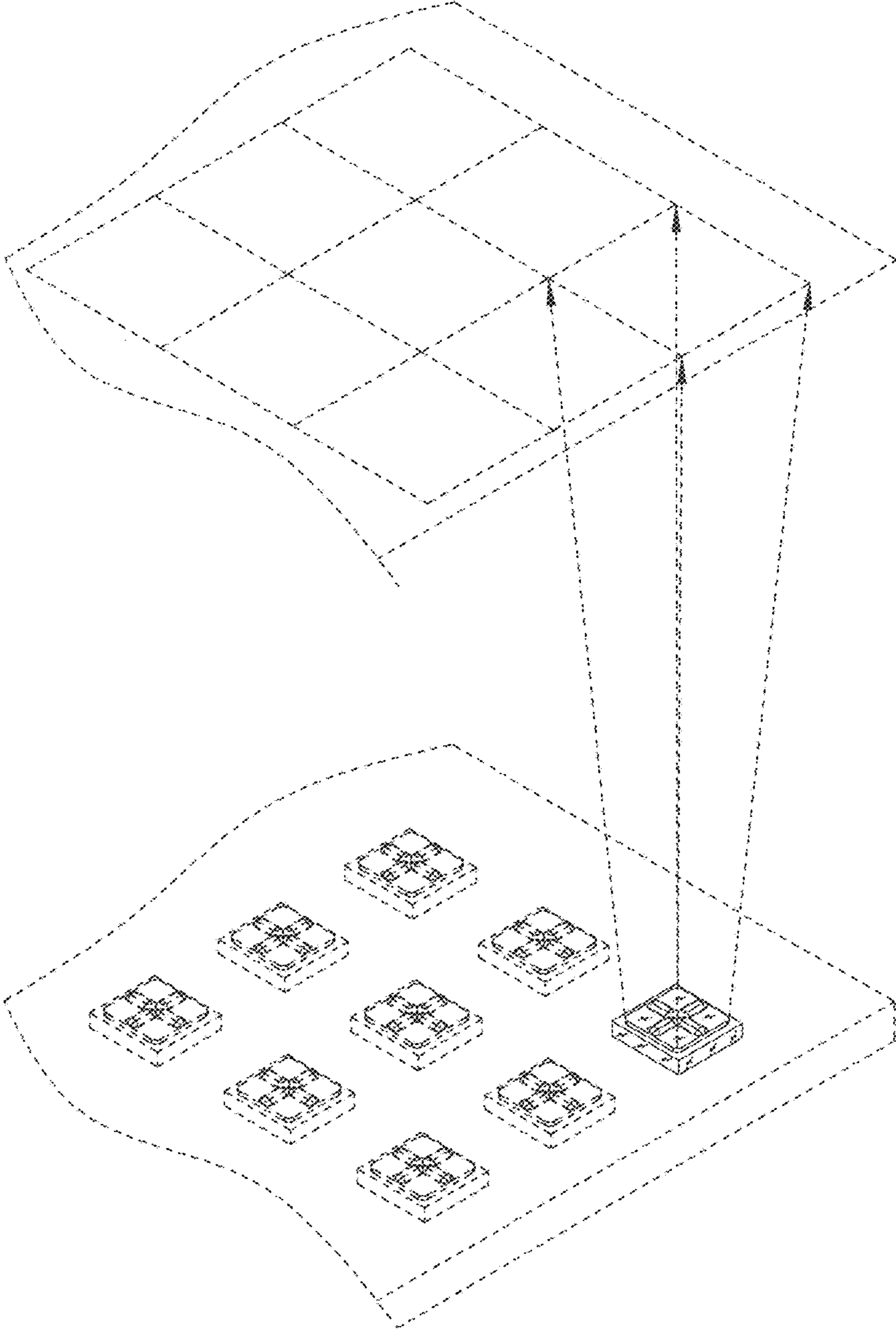


Fig. 8