



US00D786459S

(12) **United States Design Patent** (10) **Patent No.:** **US D786,459 S**
Barnetson et al. (45) **Date of Patent:** **** May 9, 2017**

(54) **VERTICAL LED LAMP**

(56) **References Cited**

(71) Applicant: **Lunera Lighting, Inc.**, Santa Clara, CA (US)

U.S. PATENT DOCUMENTS

(72) Inventors: **Donald Barnetson**, San Jose, CA (US);
Daryl Cheim, San Jose, CA (US);
George Xie, San Jose, CA (US)

D219,716 S *	1/1971	Groso	D26/1
D317,657 S *	6/1991	Iwata	D26/1
D334,990 S *	4/1993	Sekiguchi	D26/1
5,688,042 A *	11/1997	Madadi	F21K 9/135 362/240
D684,281 S *	6/2013	Rioux	D26/2
9,243,757 B2 *	1/2016	Barnetson	F21K 9/13

(73) Assignee: **Lunera Lighting, Inc.**, Santa Clara, CA (US)

* cited by examiner

(**) Term: **15 Years**

Primary Examiner — Lakiya Rogers

Assistant Examiner — Harold Blackwell, II

(21) Appl. No.: **29/544,765**

(74) *Attorney, Agent, or Firm* — Henry J. Cittone; Cittone & Chinta LLP

(22) Filed: **Nov. 5, 2015**

(57) **CLAIM**

The ornamental design for a vertical LED lamp, as shown and described.

Related U.S. Application Data

DESCRIPTION

(63) Continuation-in-part of application No. 29/512,769, filed on Dec. 22, 2014.

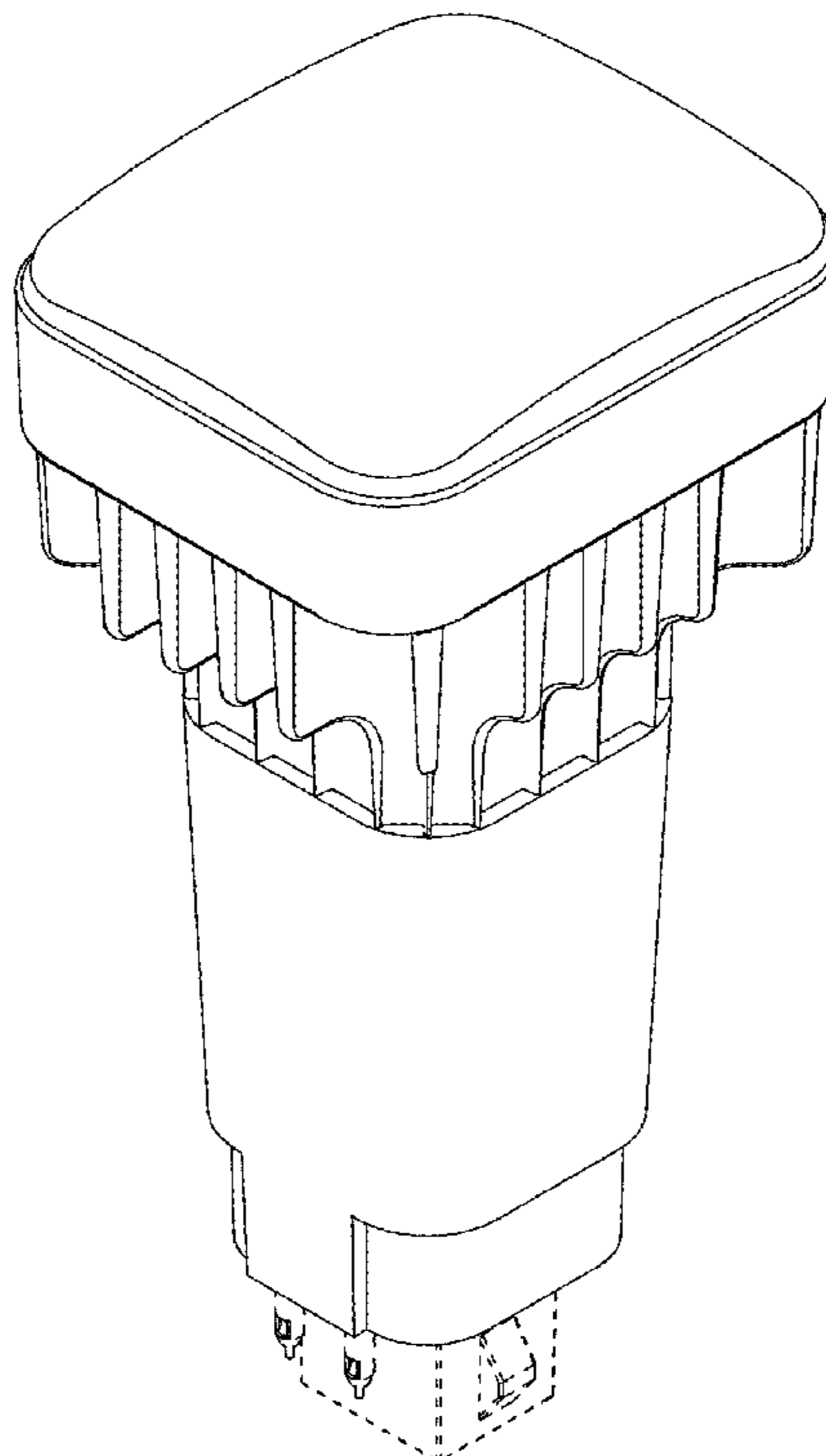
(51) **LOC (10) Cl.** **26-04**

(52) **U.S. Cl.**
USPC **D26/1**

(58) **Field of Classification Search**
USPC D26/1-4; 313/313, 315, 316, 317, 318,
313/493; 315/52, 53, 56, 57, 58;
362/235
CPC F21K 9/135; F21K 9/13; F21V 29/506;
F21Y 2103/02; Y02B 20/386
See application file for complete search history.

FIG. 1 is a perspective view from above of a vertical LED lamp, showing my new design; and FIG. 2 is right side view thereof; FIG. 3 is a left side view thereof; FIG. 4 is a front view thereof; FIG. 5 is a rear view thereof; FIG. 6 is a top view thereof; and, FIG. 7 is a bottom view thereof. The broken line illustration of environmental and other structures in the drawings are not part of the design sought to be patented.

1 Claim, 6 Drawing Sheets



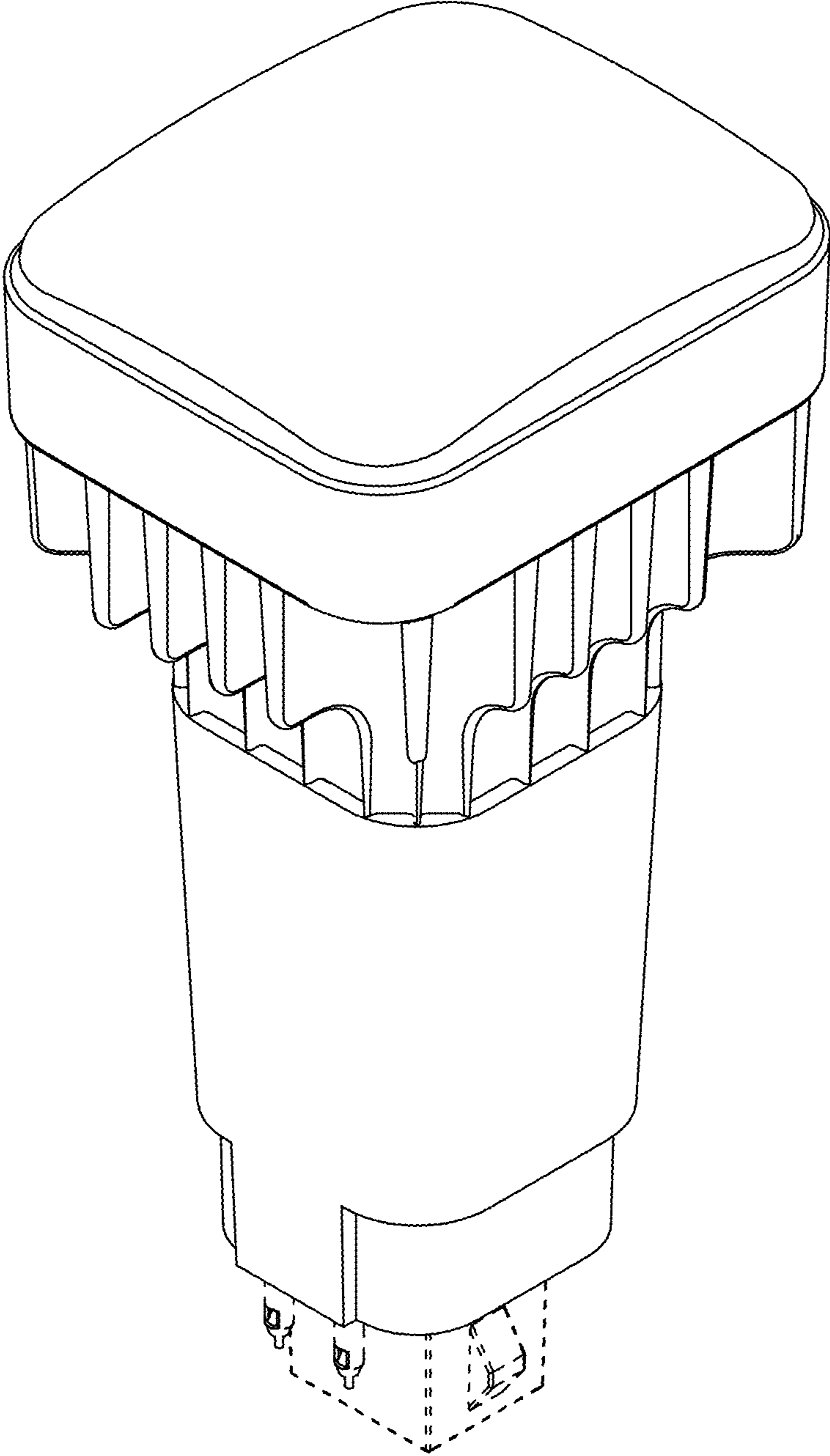


FIG. 1

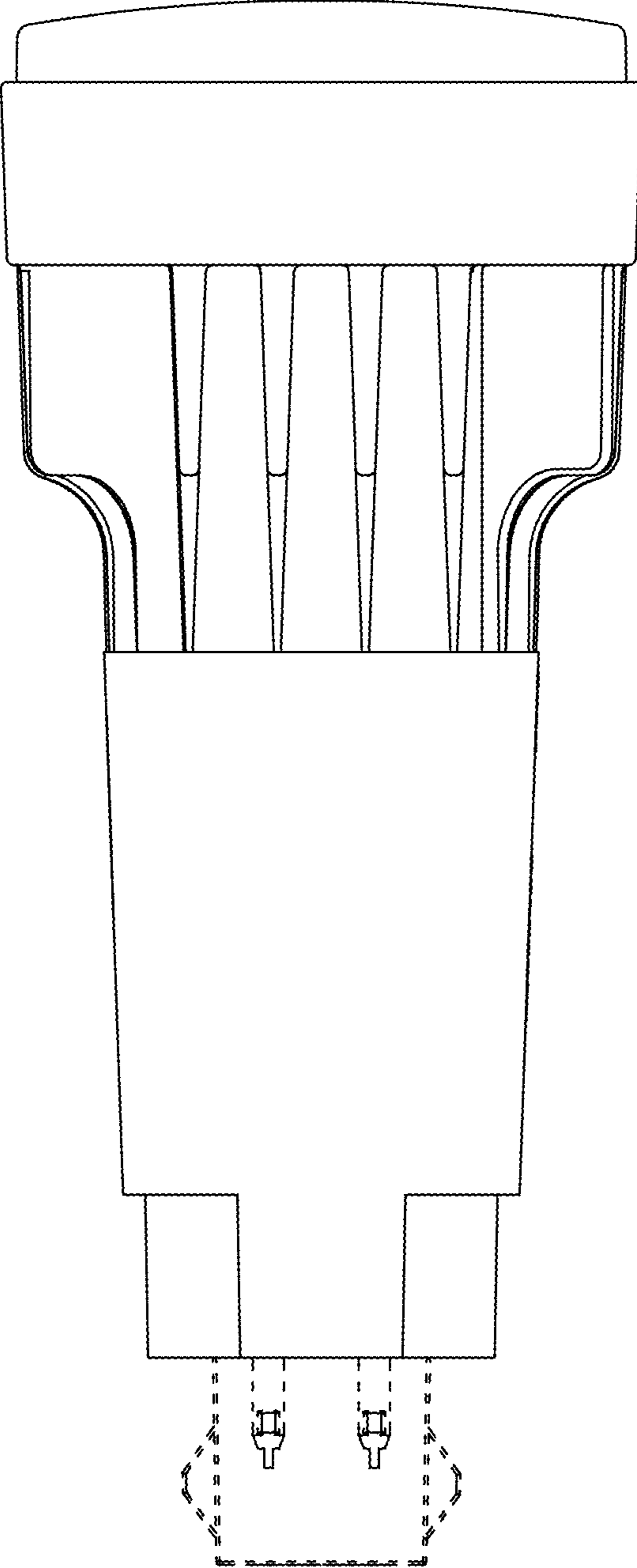


FIG. 2

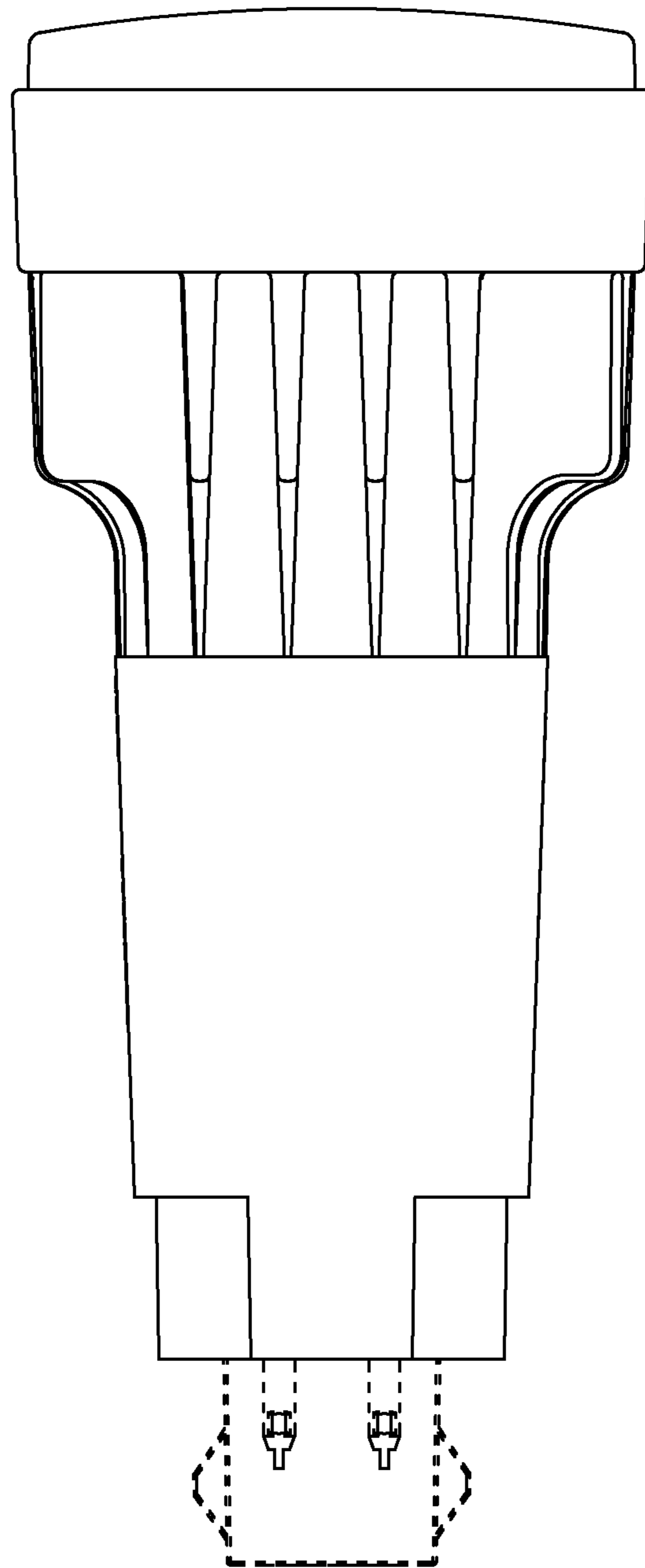


FIG. 3

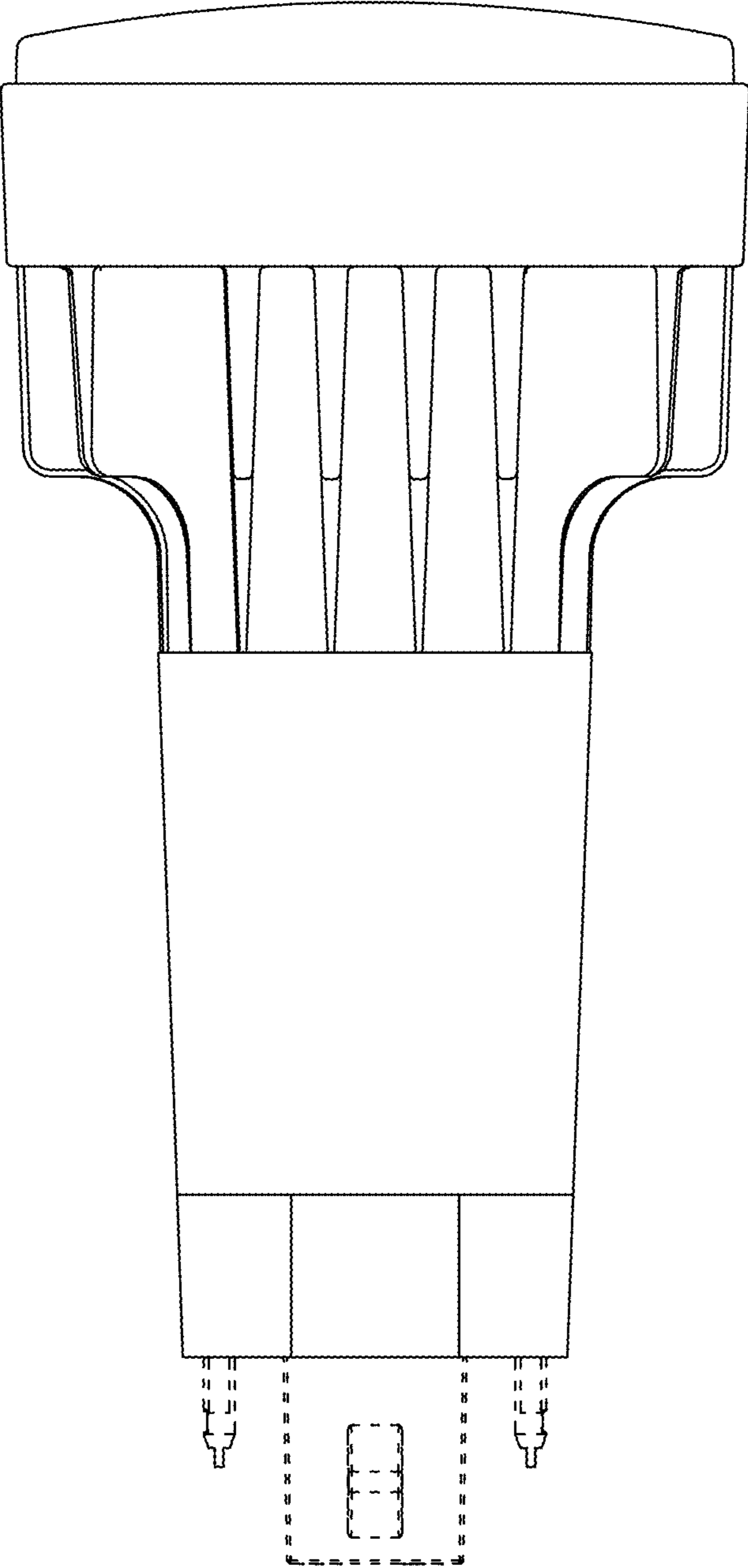


FIG. 4

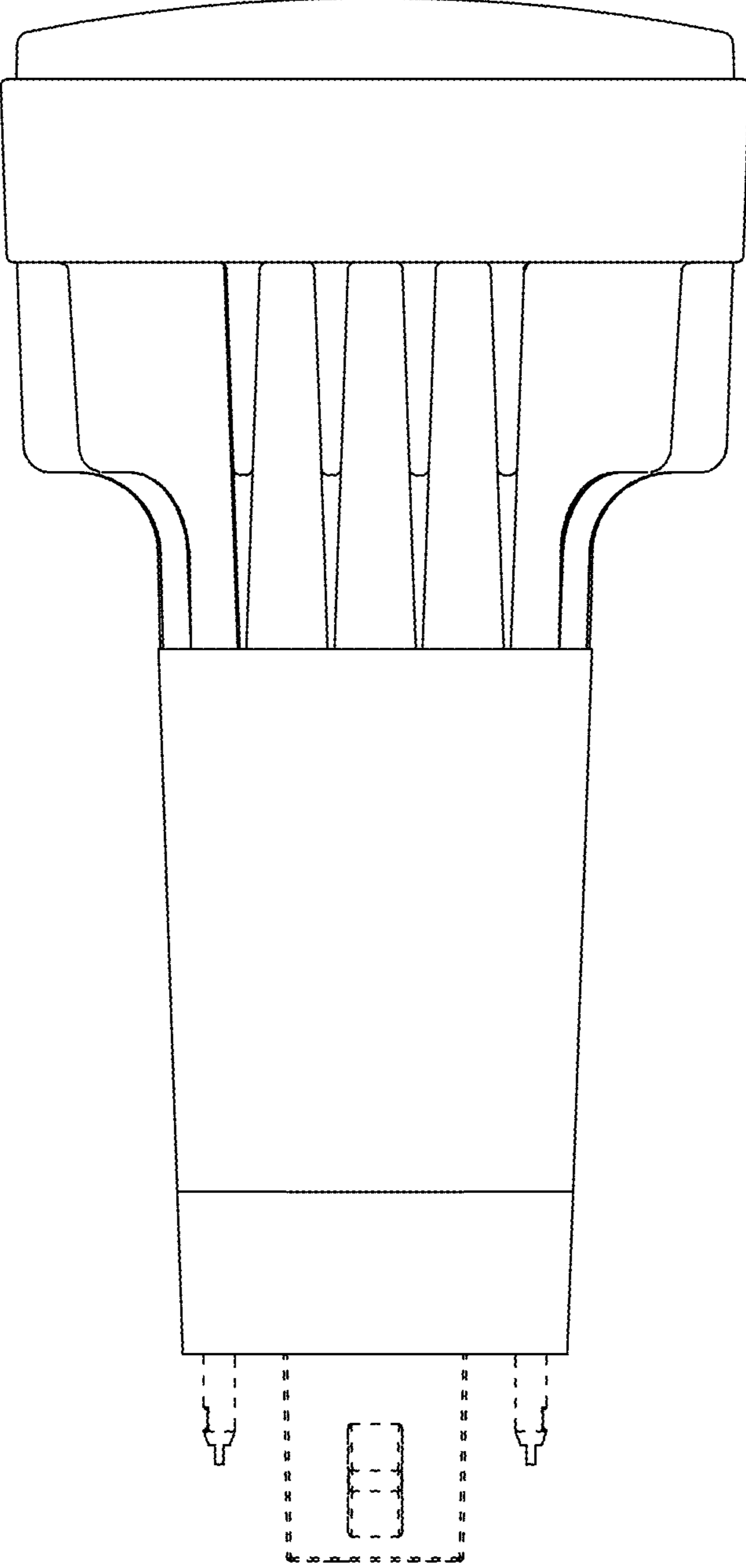


FIG. 5

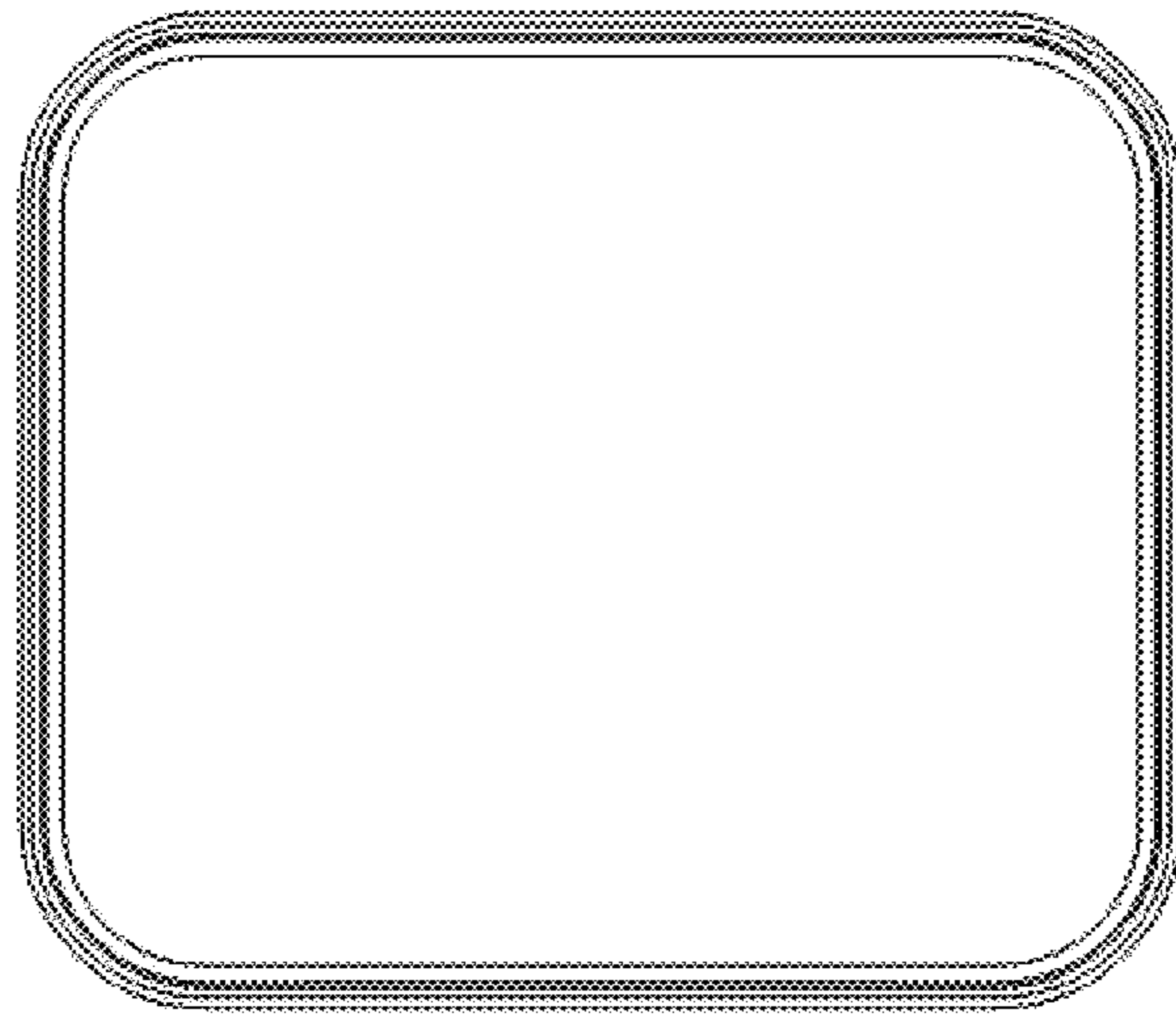


FIG. 6

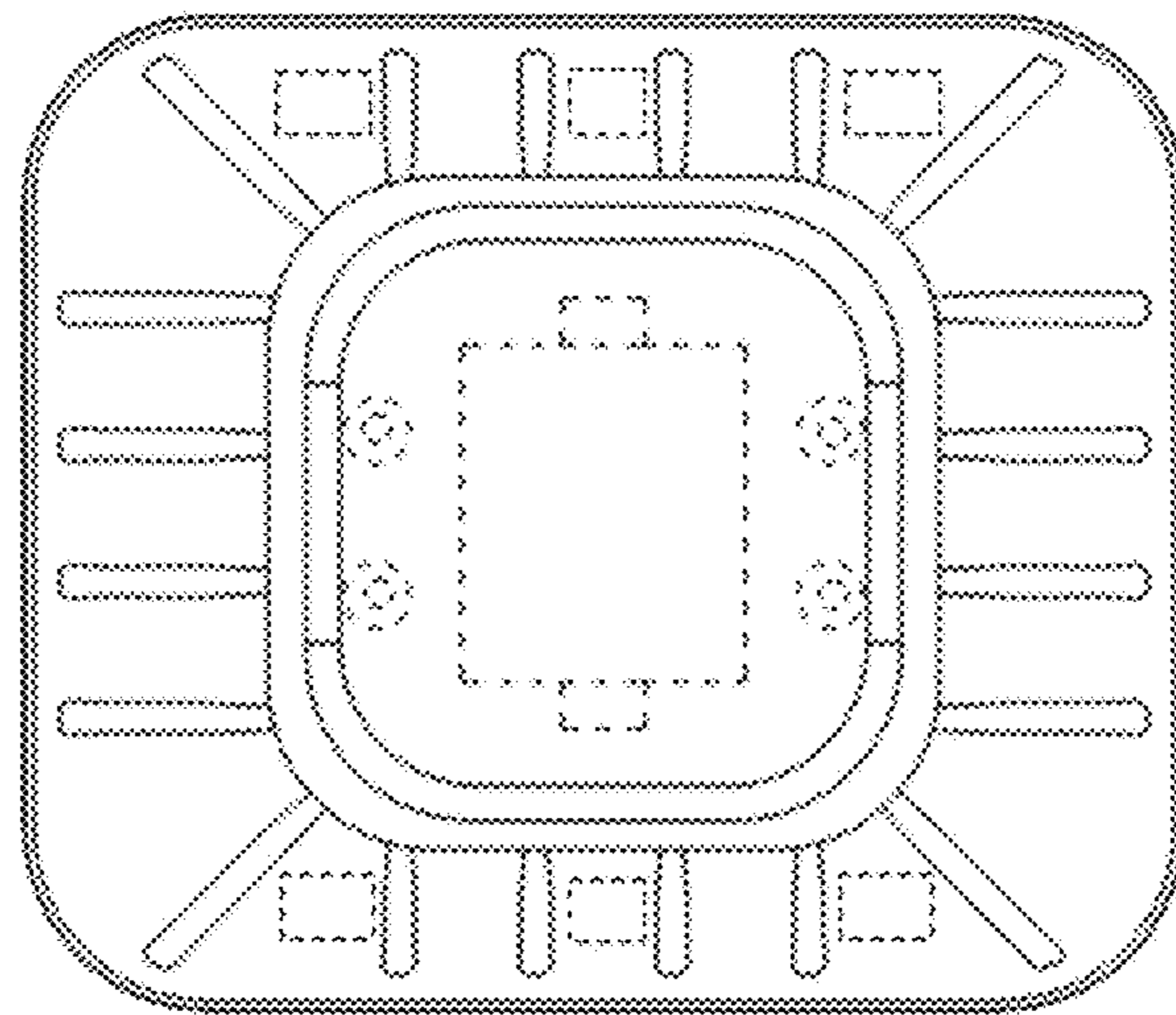


FIG. 7