



US00D786457S

(12) **United States Design Patent**  
**Metcalf**

(10) **Patent No.:** **US D786,457 S**

(45) **Date of Patent:** **\*\* May 9, 2017**

(54) **PANEL WITH BRUSHSTROKE PATTERN**

(71) Applicant: **3form, LLC**, Salt Lake City, UT (US)

(72) Inventor: **Elizabeth Egan Metcalf**, Salt Lake City, UT (US)

(73) Assignee: **3FORM, LLC**, Salt Lake City, UT (US)

(\*\*) Term: **15 Years**

(21) Appl. No.: **29/533,062**

(22) Filed: **Jul. 14, 2015**

(51) **LOC (10) Cl.** ..... **25-01**

(52) **U.S. Cl.**  
USPC ..... **D25/138**

(58) **Field of Classification Search**  
USPC ..... D5/43-44, 47, 49, 51, 60, 99; D6/332;  
D25/48.8, 102-106, 109-111, 138,  
D25/149-151, 163, 199; 52/306-308,  
52/330-333, 600-609; 428/34, 44-49,  
428/67, 105-113, 192  
CPC .... E04F 13/0871; E04F 13/0885; B44C 5/04;  
B44F 7/00; Y10T 428/24479  
See application file for complete search history.

(56) **References Cited**

U.S. PATENT DOCUMENTS

D175,223 S \* 7/1955 Holt, Jr. .... D5/47  
D536,540 S \* 2/2007 Partridge ..... D6/332

D676,580 S \* 2/2013 Canales ..... D25/104  
D676,979 S \* 2/2013 Canales ..... D25/104  
D678,556 S \* 3/2013 Metcalf ..... D25/138  
D705,949 S \* 5/2014 Schober ..... D25/105  
D720,472 S \* 12/2014 Schober ..... D25/104  
D728,828 S \* 5/2015 Metcalf ..... D25/103  
D773,073 S \* 11/2016 Bracher ..... D25/163  
D774,211 S \* 12/2016 Metcalf ..... E04F 13/0871  
D25/104  
D780,326 S \* 2/2017 Metcalf ..... E04F 13/0871  
D25/104

\* cited by examiner

*Primary Examiner* — Susan Bennett Hattan

*Assistant Examiner* — Camelia H Styles

(74) *Attorney, Agent, or Firm* — Workman Nydegger

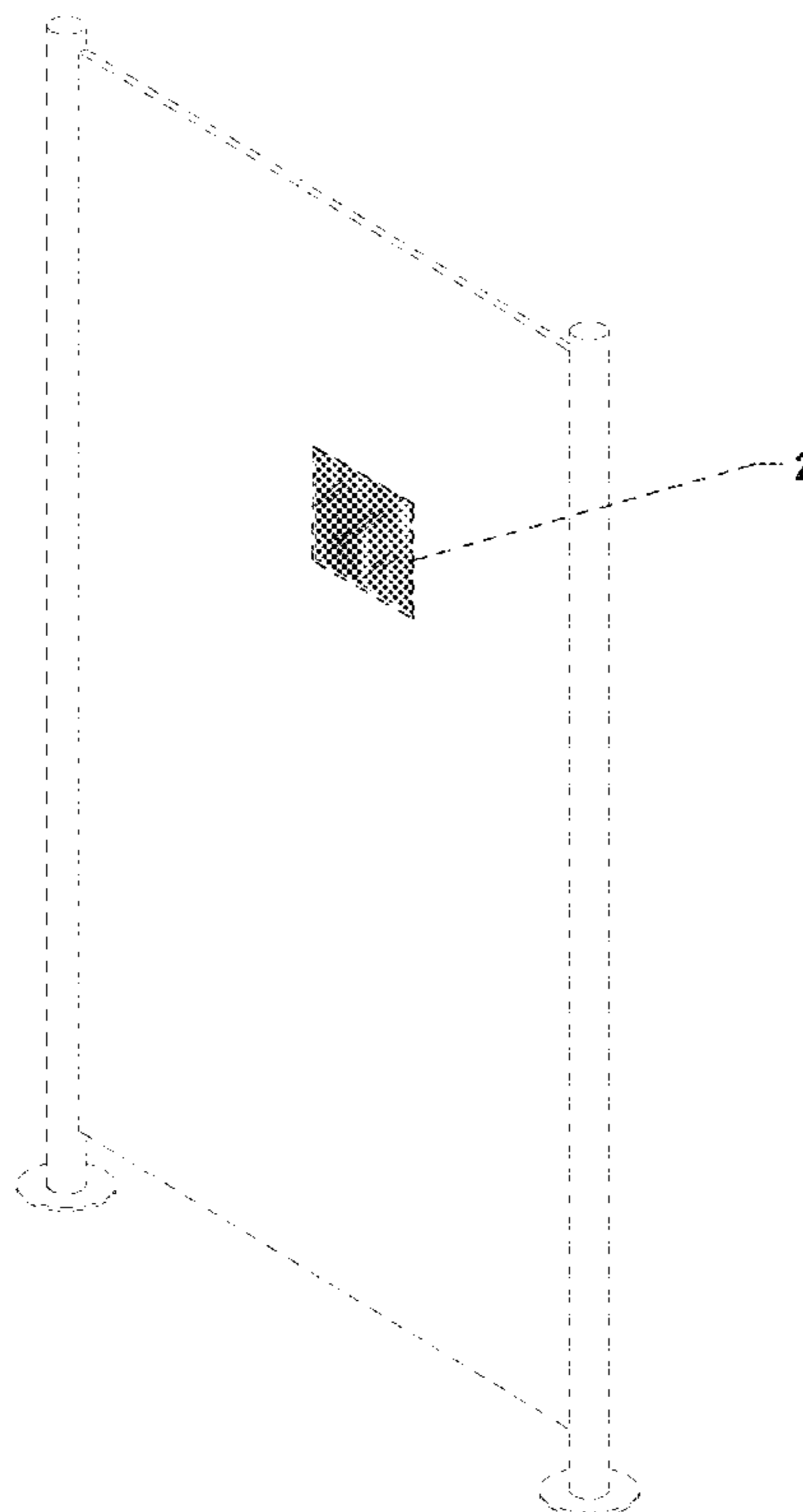
(57) **CLAIM**

The ornamental design for a panel with brushstroke pattern, as shown and described.

**DESCRIPTION**

FIG. 1 is a front perspective view of a panel with brushstroke pattern as used in a partition;  
FIG. 2 is a front perspective view thereof;  
FIG. 3 is a front elevational view thereof;  
FIG. 4 is a top plan view thereof in cross-section;  
FIG. 5 is a right elevational view thereof in cross-section;  
FIG. 6 is a left elevational view thereof in cross-section; and,  
FIG. 7 is a bottom plan view thereof in cross-section.

**1 Claim, 3 Drawing Sheets**



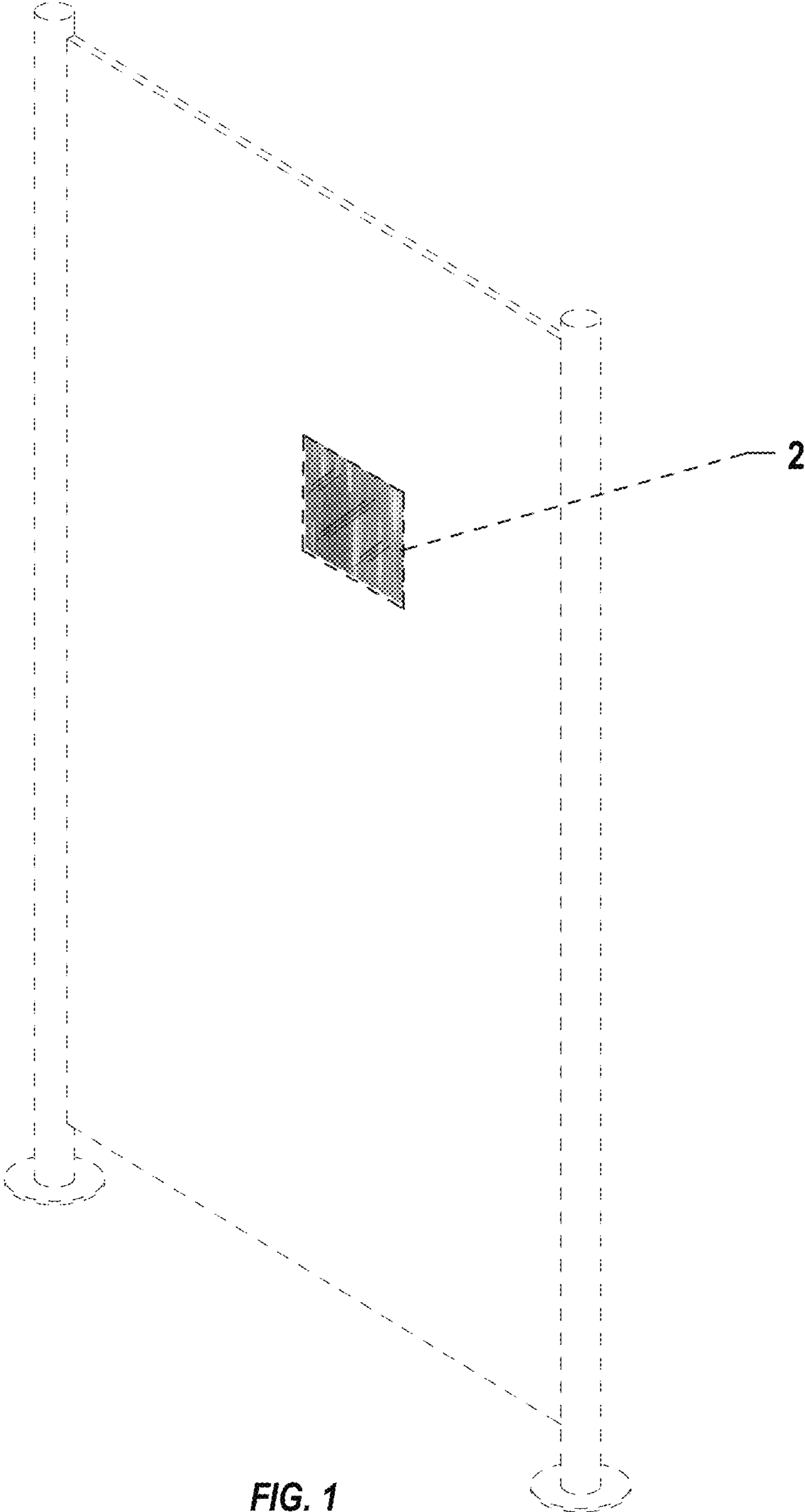


FIG. 1

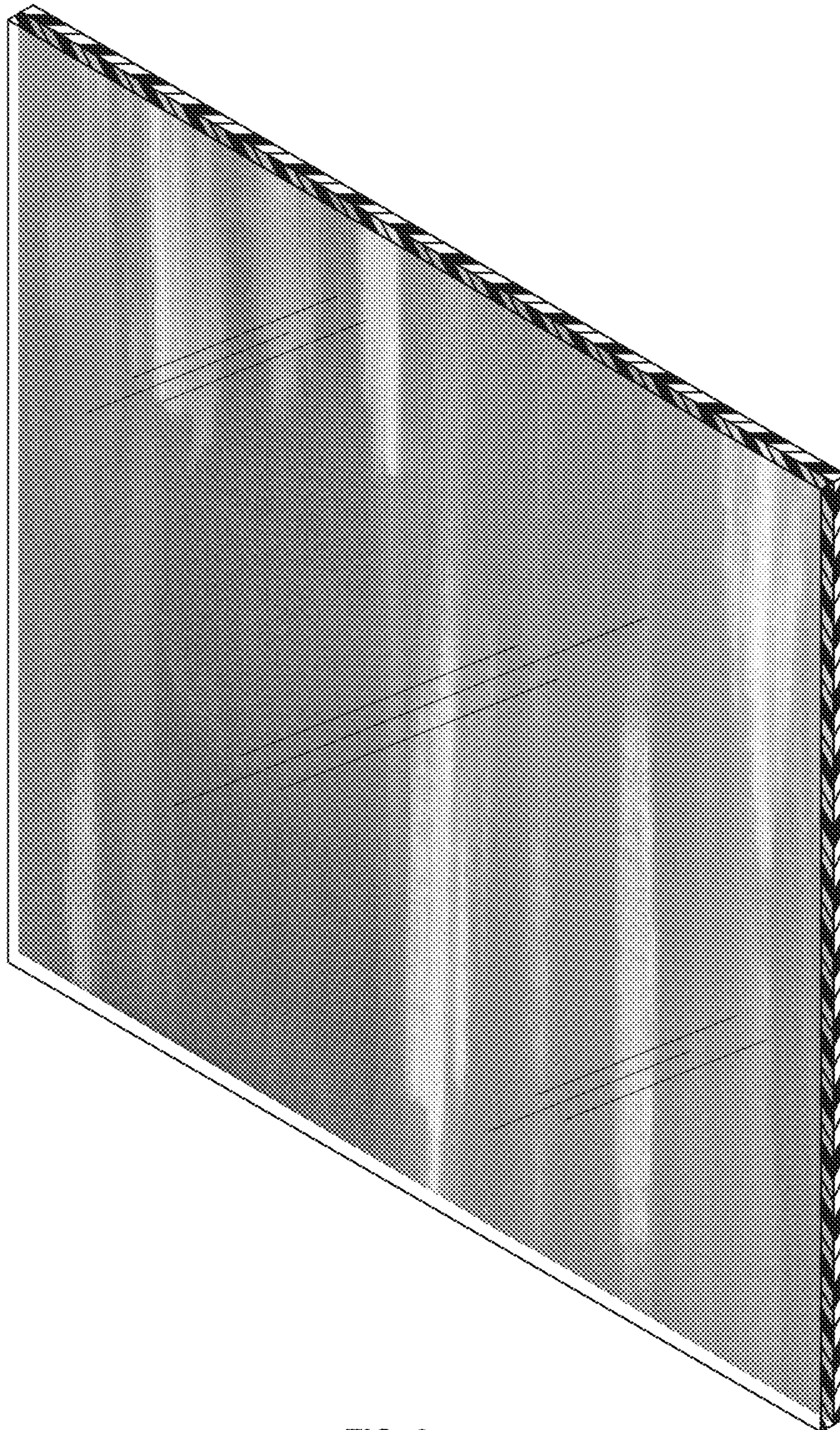


FIG. 2

