



US00D786456S

(12) **United States Design Patent** (10) **Patent No.:** **US D786,456 S**
Bokros (45) **Date of Patent:** **** May 9, 2017**

- (54) **SCAFFOLD TRESTLE LEG**
- (71) Applicant: **LOBO Systems Limited**, Derby (GB)
- (72) Inventor: **Robert Bokros**, Derby (GB)
- (73) Assignee: **LOBO Systems Limited**, Derby (GB)
- (**) Term: **15 Years**
- (21) Appl. No.: **29/544,224**
- (22) Filed: **Oct. 30, 2015**
- (30) **Foreign Application Priority Data**

Aug. 11, 2015 (EM) 2752774-0012

- (51) **LOC (10) Cl.** **25-04**
- (52) **U.S. Cl.**
USPC **D25/68**
- (58) **Field of Classification Search**
USPC D25/62-68, 119, 131; 182/82, 113, 148,
182/136; 248/226.11, 246, 407, 161
CPC E04G 7/32; E04G 5/00; E04G 1/34; E04G
5/046
See application file for complete search history.

(56) **References Cited**
U.S. PATENT DOCUMENTS

- 2,793,916 A * 5/1957 Woods E04G 1/34
182/186.2
- 6,038,829 A * 3/2000 Franks E04G 3/26
182/113
- 6,053,280 A * 4/2000 Smith E04G 3/20
182/150

- D484,617 S * 12/2003 Micheals D25/131
- 2005/0072628 A1 * 4/2005 Riley E04G 3/22
182/82
- 2007/0145215 A1 * 6/2007 Riblet E04G 1/20
248/226.11

* cited by examiner

Primary Examiner — Cynthia Ramirez
Assistant Examiner — Gino Colan
 (74) *Attorney, Agent, or Firm* — Renner, Otto, Boisselle
 and Sklar LLP

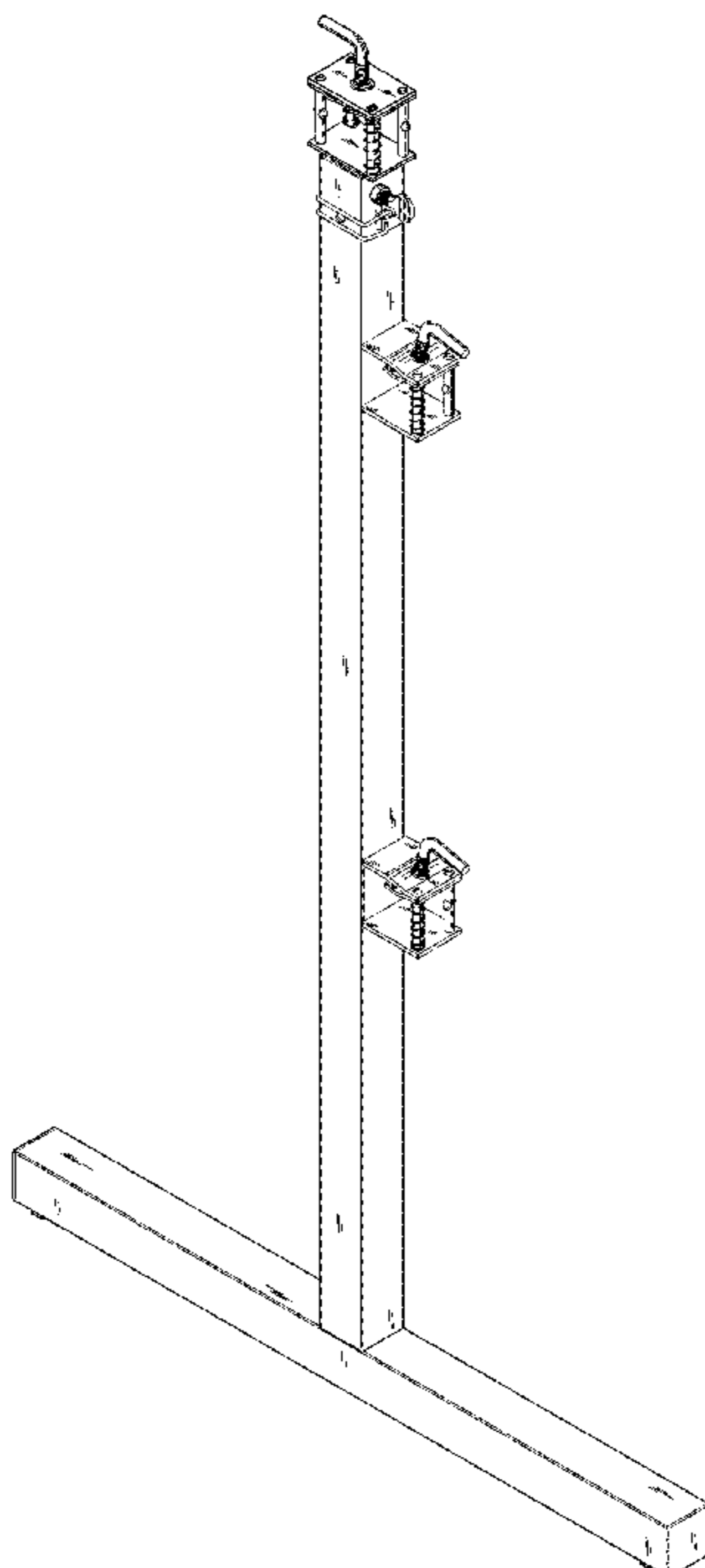
(57) **CLAIM**

The ornamental design for a scaffold trestle leg, as shown and described.

DESCRIPTION

FIG. 1 is a perspective view of the scaffold trestle leg showing my new design;
 FIG. 2 is a front view of the scaffold trestle leg shown in FIG. 1;
 FIG. 3 is a left side view of the scaffold trestle leg shown in FIG. 1;
 FIG. 4 is a back side view of the scaffold trestle leg shown in FIG. 1;
 FIG. 5 is a right side view of the scaffold trestle leg shown in FIG. 1;
 FIG. 6 is a top plan view of the scaffold trestle leg of FIG. 1 shown in a larger scale; and,
 FIG. 7 is a bottom plan view of the scaffold trestle leg of FIG. 1 shown in a larger scale.
 The broken lines in the figures are for the purpose of illustrating portions of the scaffold trestle leg and form no part of the claimed design.

1 Claim, 6 Drawing Sheets



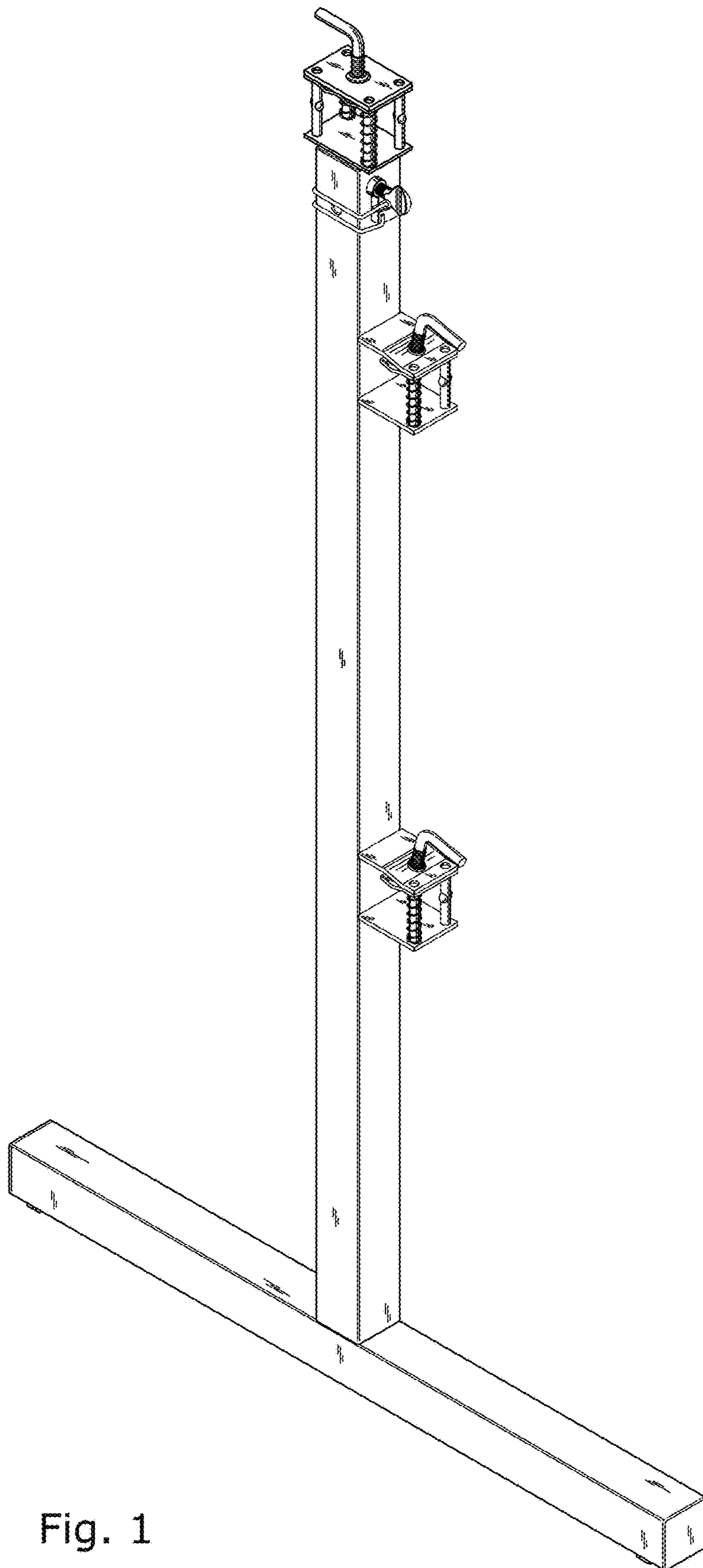


Fig. 1

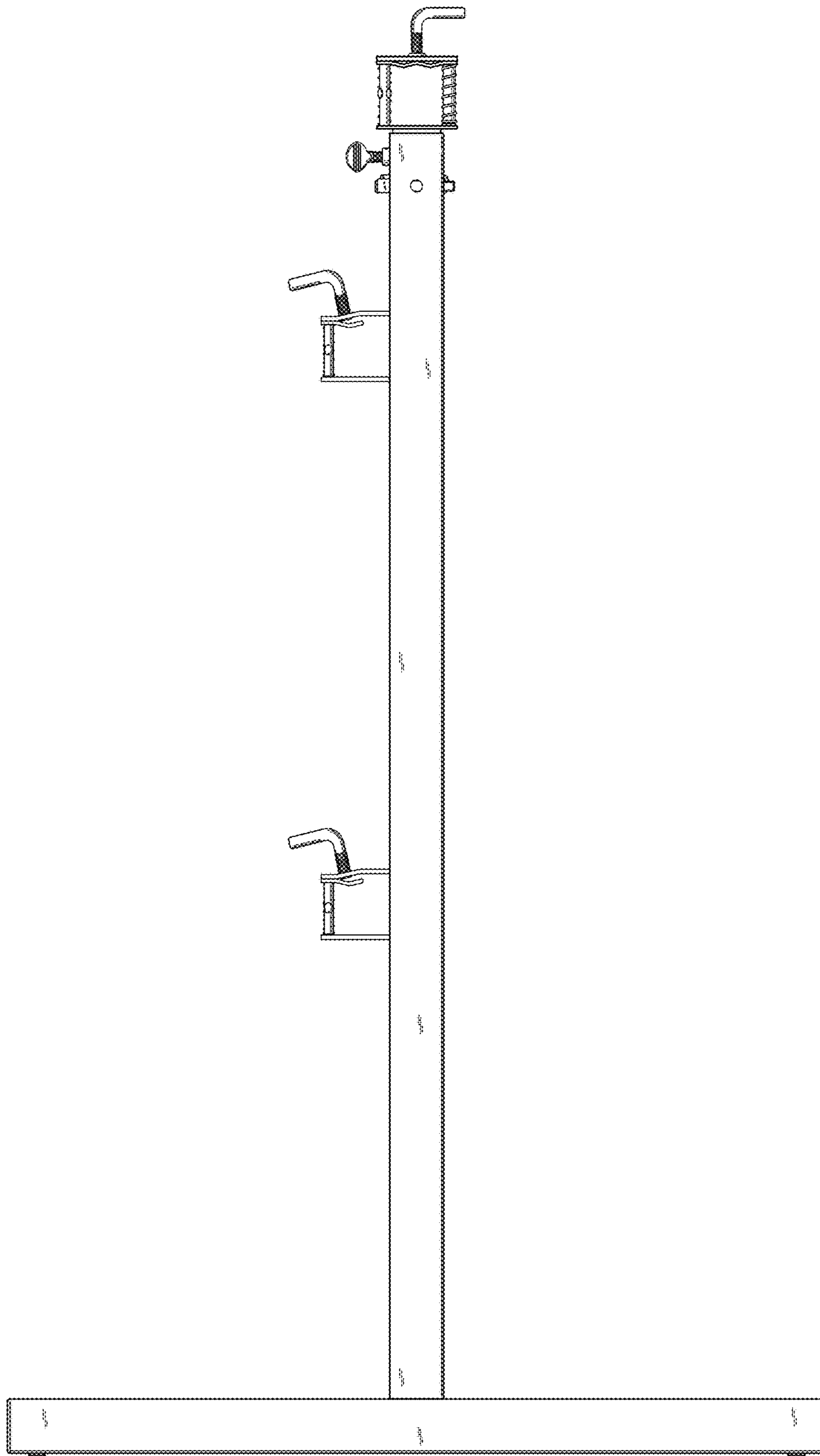


Fig. 2

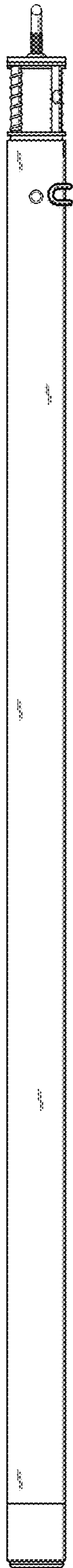


Fig. 3

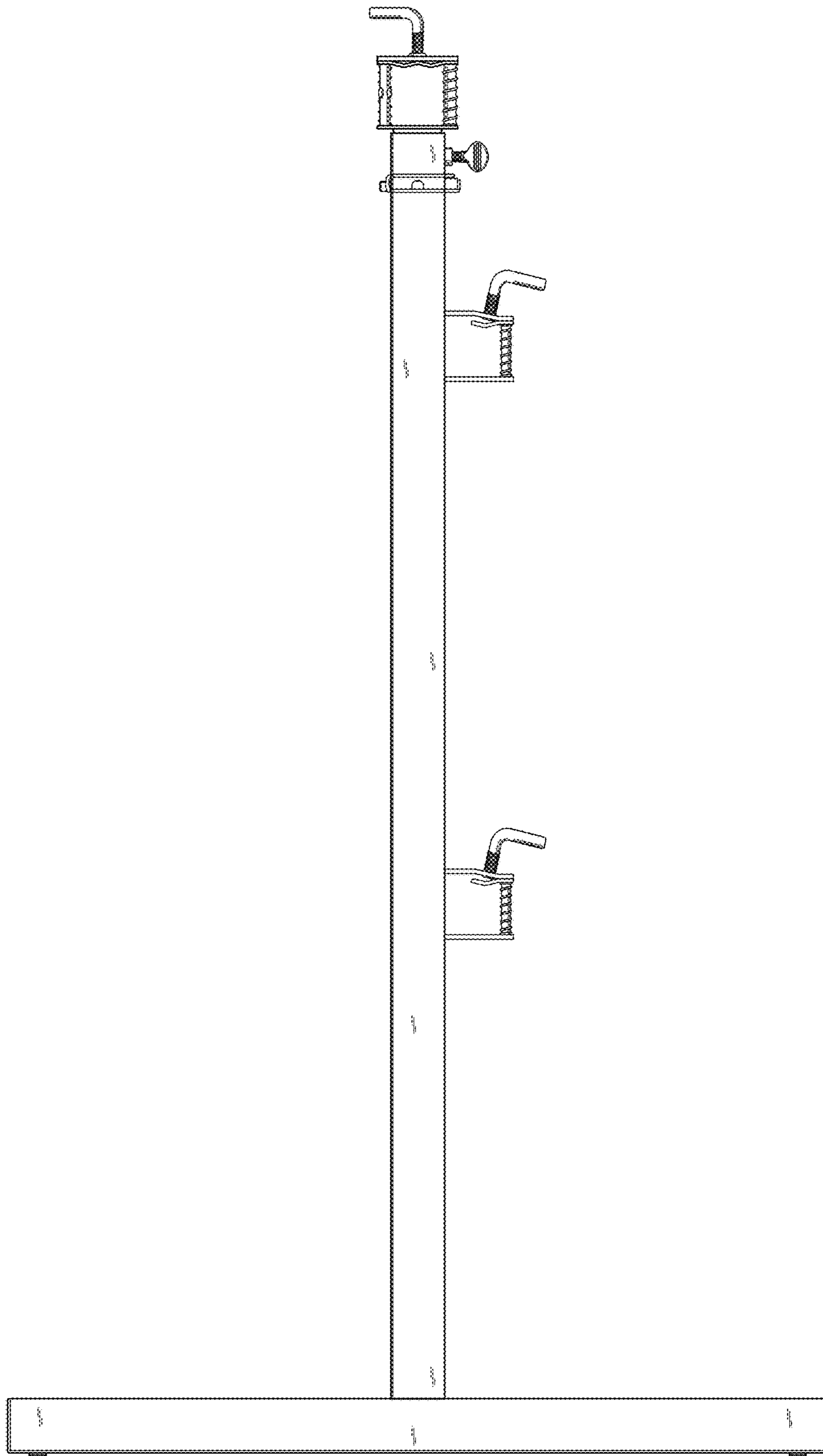


Fig. 4



Fig. 5

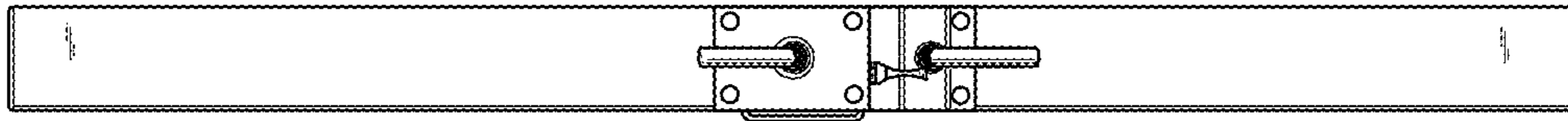


Fig. 6



Fig. 7