



US00D786455S

(12) **United States Design Patent** (10) **Patent No.:** **US D786,455 S**
Green (45) **Date of Patent:** **** May 9, 2017**

(54) **LADDER** 5,740,883 A * 4/1998 Trank E06C 7/14
182/129
(71) Applicant: **LockNClimb, LLC**, Independence, KS D721,825 S * 1/2015 Green D25/68
(US) D722,181 S * 2/2015 Green D25/64
D722,182 S * 2/2015 Green D25/64
(72) Inventor: **Jeffrey Alan Green**, Independence, KS D745,191 S * 12/2015 Green D25/64
(US) 2013/0048427 A1 * 2/2013 Sordo E06C 7/46
182/110
(73) Assignee: **LOCK N CLIMB, LLC**, Bartlesville, OK (US) 2015/0354276 A1 * 12/2015 Green E06C 1/16
182/172
2016/0024844 A1 * 1/2016 Neubauer E06C 1/38
182/106

(**) Term: **15 Years**

(21) Appl. No.: **29/558,830**

(22) Filed: **Mar. 22, 2016**

(51) **LOC (10) Cl.** **25-04**

(52) **U.S. Cl.**
USPC **D25/64**

(58) **Field of Classification Search**
USPC D25/62-69; 182/180.1, 129, 18, 172,
182/156, 166, 111, 23, 152, 167, 170,
182/173, 180.2, 179.1, 194, 165, 201,
182/159, 162, 112, 113, 215, 220, 120,
182/106, 26, 115, 207; 248/210, 238,
248/236

CPC . E06C 1/125; E06C 1/10; E06C 1/383; E06C
7/50; E06C 7/04; E06C 1/18; E06C 7/14;
E06C 7/16; E06C 1/22

See application file for complete search history.

(56) **References Cited**

U.S. PATENT DOCUMENTS

4,565,262 A * 1/1986 Hawkins E06C 1/12
182/116
4,798,262 A * 1/1989 Margolies E06C 1/20
182/106

* cited by examiner

Primary Examiner — Cynthia Ramirez

Assistant Examiner — Gino Colan

(74) *Attorney, Agent, or Firm* — Katten Muchin
Rosenman LLP

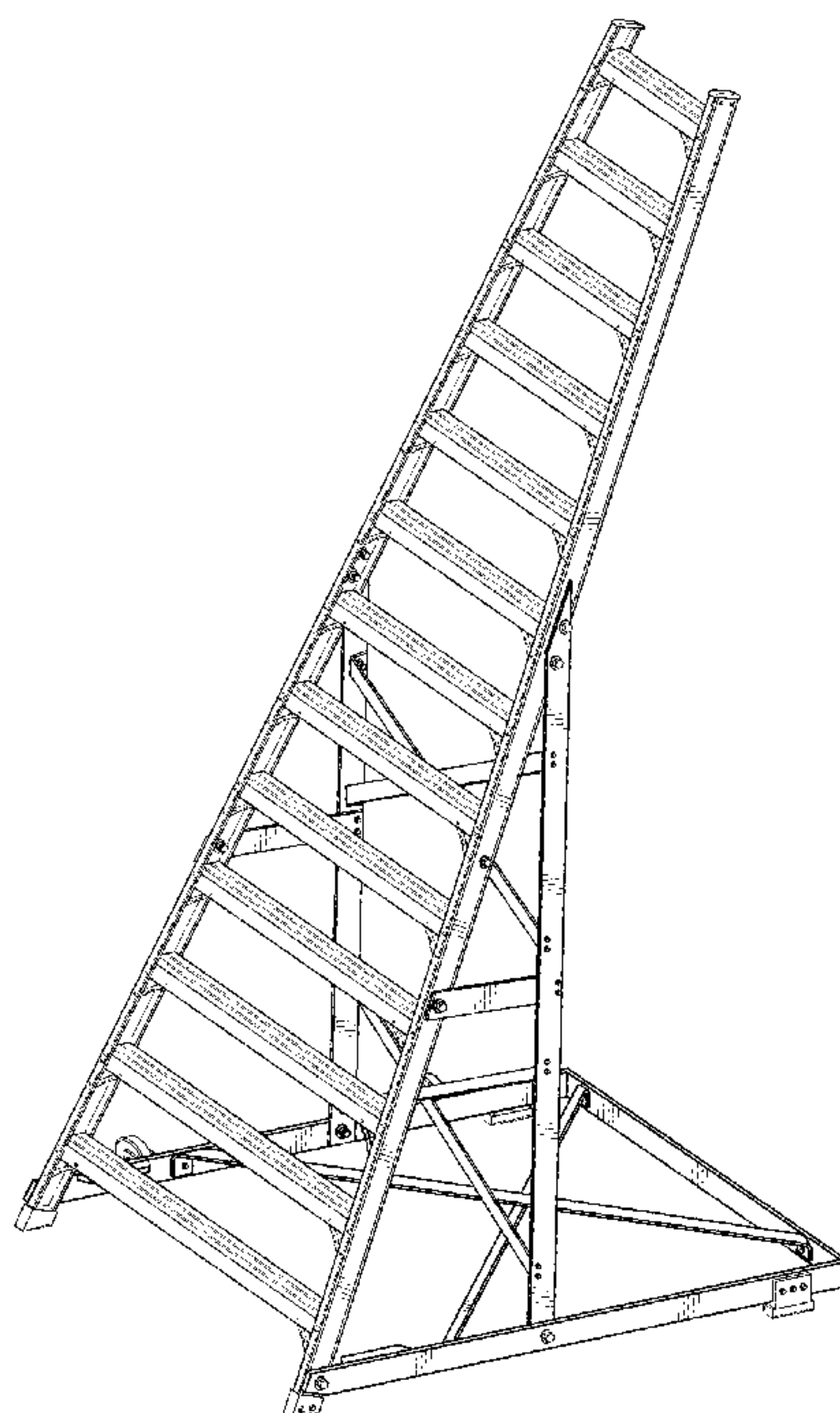
(57) **CLAIM**

The ornamental design for a ladder, as shown and described.

DESCRIPTION

FIG. 1 is a front perspective view of a ladder showing my new design;
FIG. 2 is a front elevational view thereof;
FIG. 3 is a rear elevational view thereof;
FIG. 4 is a left elevational view thereof;
FIG. 5 is a right elevational view thereof;
FIG. 6 is a top plan view thereof; and,
FIG. 7 is a bottom plan view thereof.

1 Claim, 5 Drawing Sheets



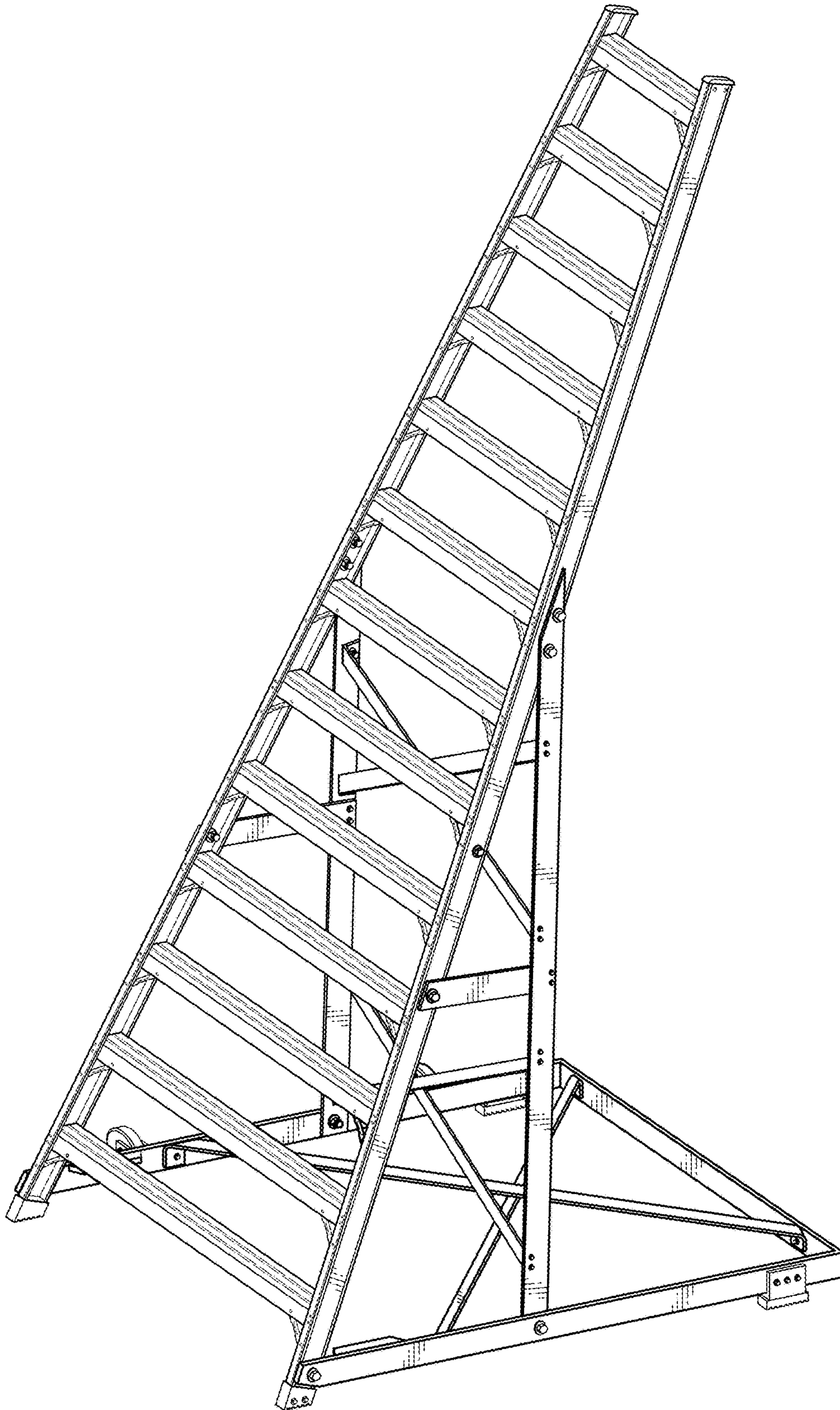


FIG. 1

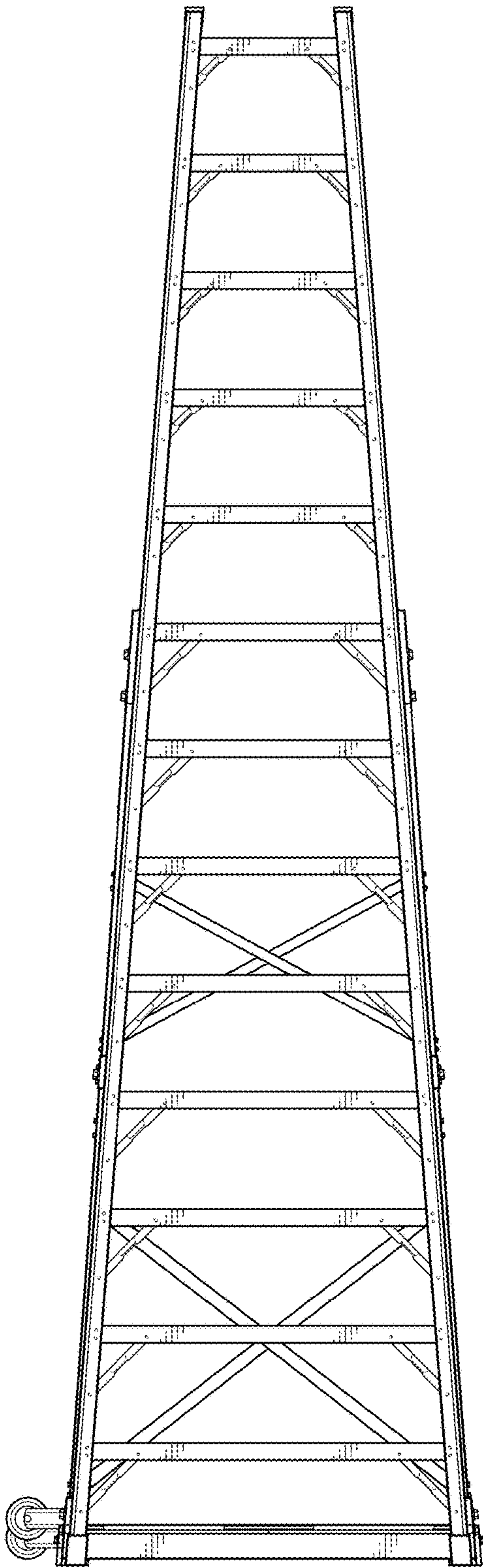


FIG. 2

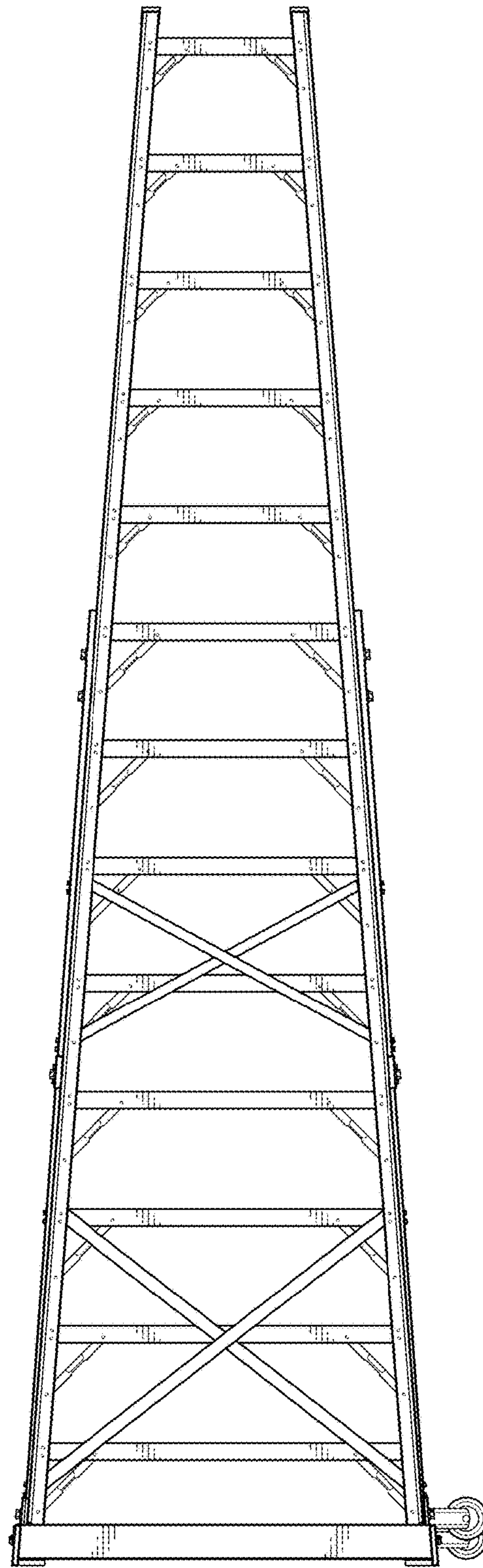


FIG. 3

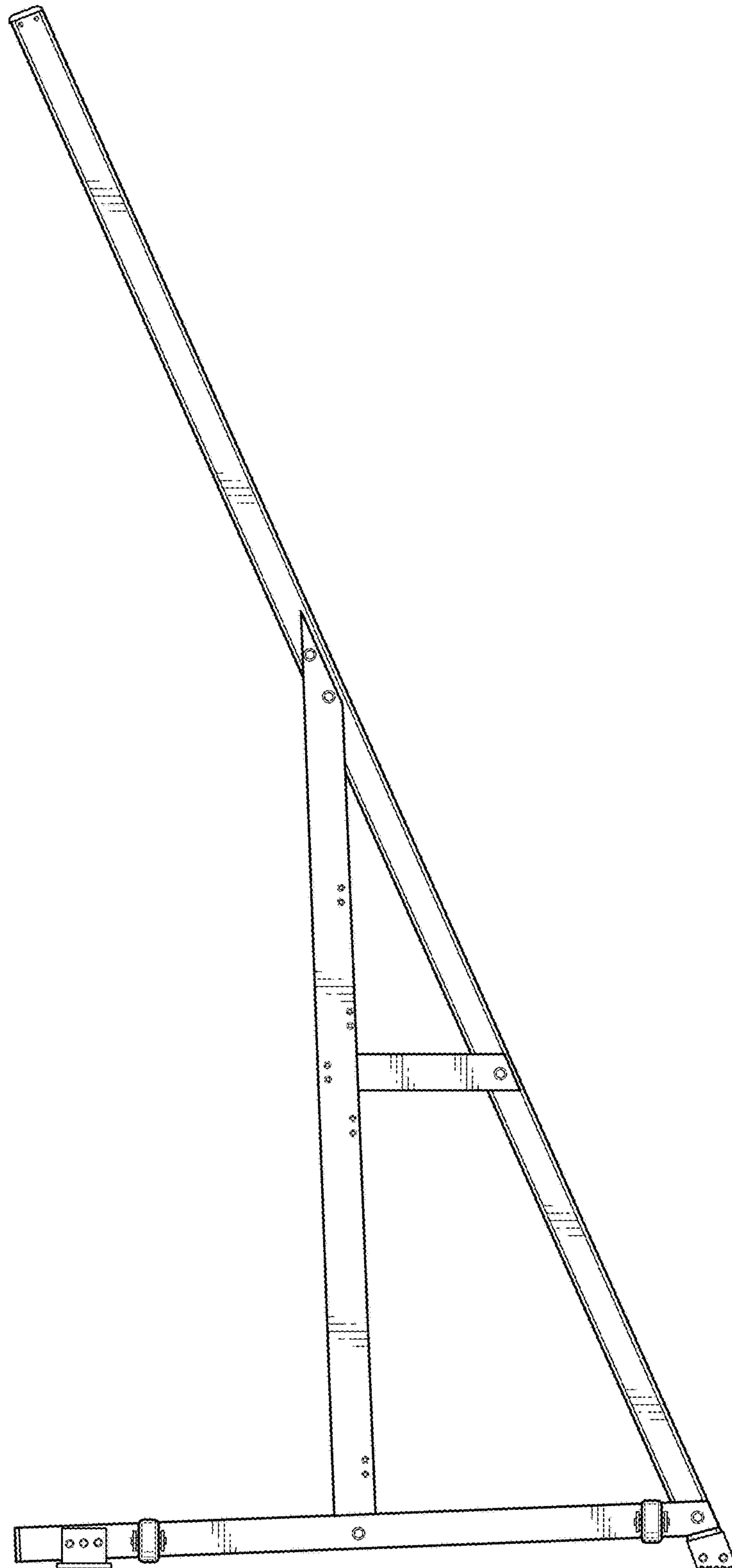


FIG. 4

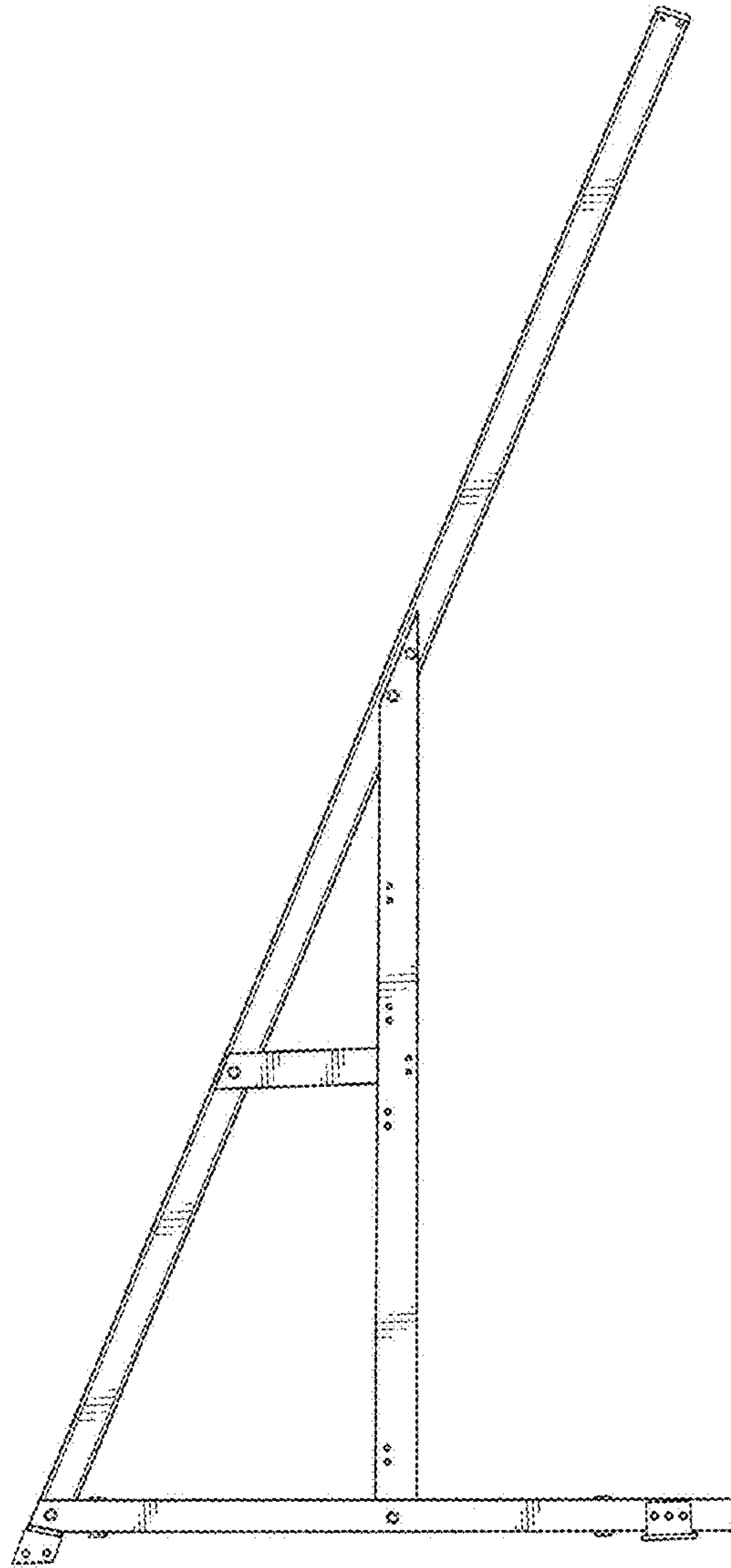


FIG. 5

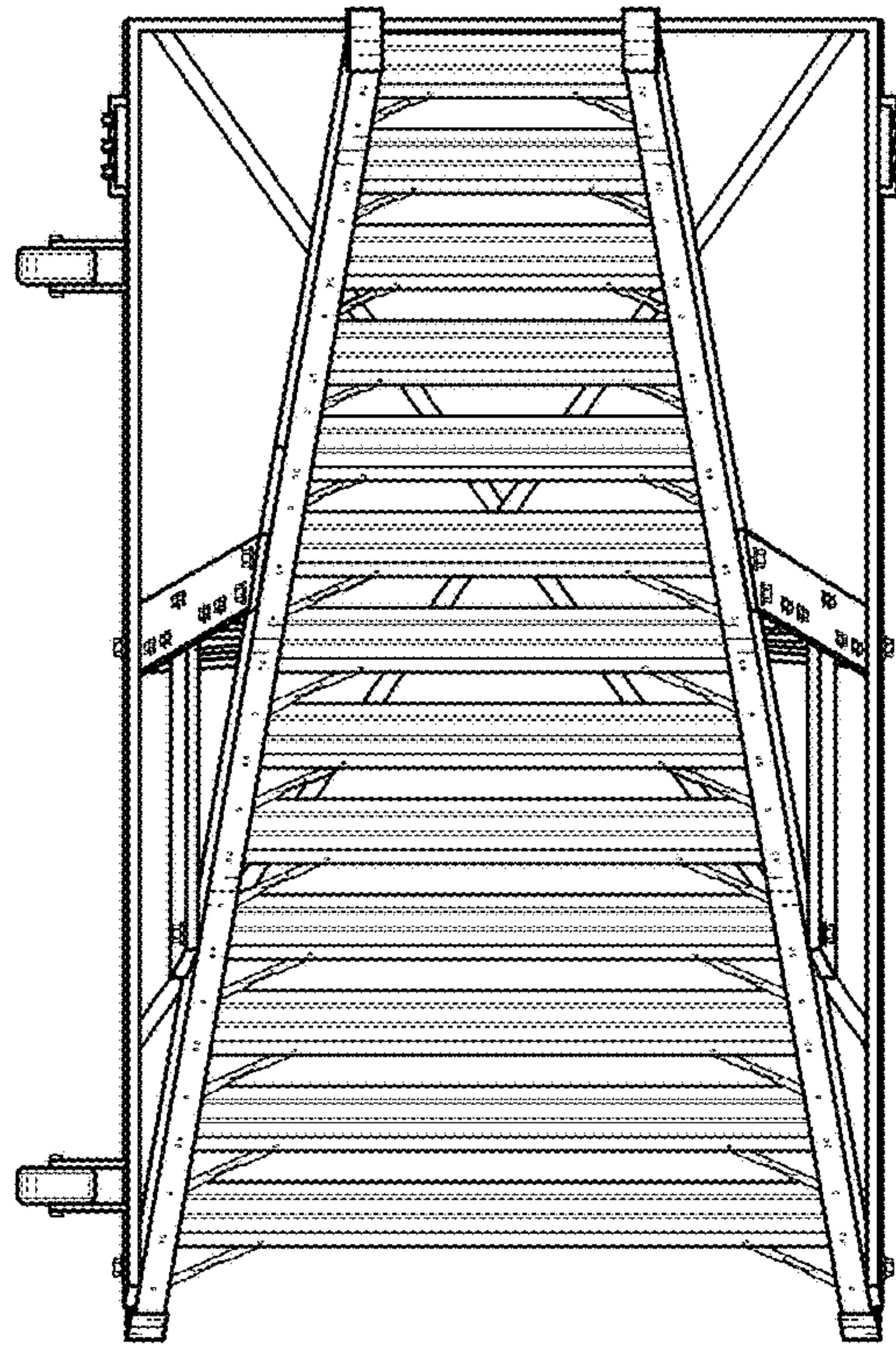


FIG. 6

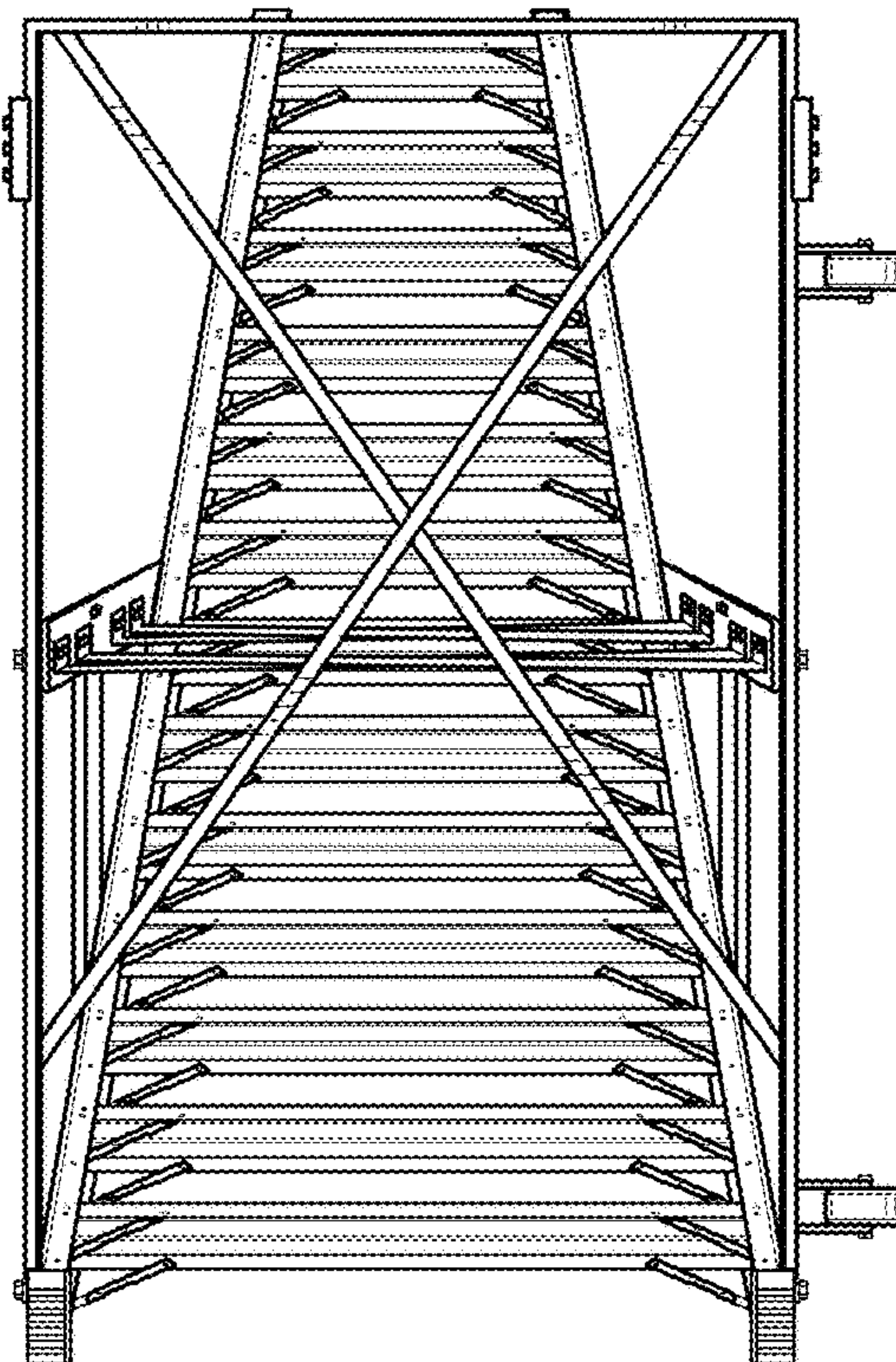


FIG. 7