



US00D786453S

(12) **United States Design Patent** (10) **Patent No.:** **US D786,453 S**
Indio da Costa et al. (45) **Date of Patent:** **** May 9, 2017**

(54) **BUS SHELTER**

(56) **References Cited**

(71) Applicant: **Odebrecht Transport Participações S/A**, São Paulo (BR)
(72) Inventors: **Luiz Eduardo Indio da Costa**, Rio de Janeiro (BR); **Luiz Augusto de Siqueira Índio da Costa**, Rio de Janeiro (BR); **Andre Cunha Lobo de Melo**, Rio de Janeiro (BR); **Till Pupak**, Rio de Janeiro (BR)
(73) Assignee: **OTIMA - CONCESSIONARIA DE EXPLORACAO DE MOBILIARIO URBANO S.A.**, Sao Paulo (BR)

U.S. PATENT DOCUMENTS

D336,136 S	*	6/1993	Foster	D25/1
D403,434 S	*	12/1998	Sander	D25/1
D406,352 S	*	3/1999	Kleihues	D25/1
D433,512 S	*	11/2000	Grange	D25/1
D500,143 S	*	12/2004	Moncho	D25/56
D535,034 S	*	1/2007	Gottesdiener	D25/56
D587,817 S	*	3/2009	Giugiaro	D25/56
D593,213 S	*	5/2009	Grimshaw	D25/56
D603,973 S	*	11/2009	Jackson	D25/56
D659,259 S	*	5/2012	Duddy	D25/32
D717,472 S	*	11/2014	Indio da Costa	D25/56
D740,966 S	*	10/2015	Indio da Costa	D25/56
D747,816 S	*	1/2016	Indio da Costa	D25/1

(**) Term: **15 Years**
(21) Appl. No.: **29/536,707**
(22) Filed: **Aug. 19, 2015**

* cited by examiner

Primary Examiner — Ian Simmons
Assistant Examiner — Samantha Q Lawrence
(74) *Attorney, Agent, or Firm* — Sughrue Mion, PLLC

Related U.S. Application Data

(62) Division of application No. 29/440,025, filed on Dec. 18, 2012, now Pat. No. Des. 747,816.

(57) **CLAIM**

The ornamental design for a bus shelter, as shown and described.

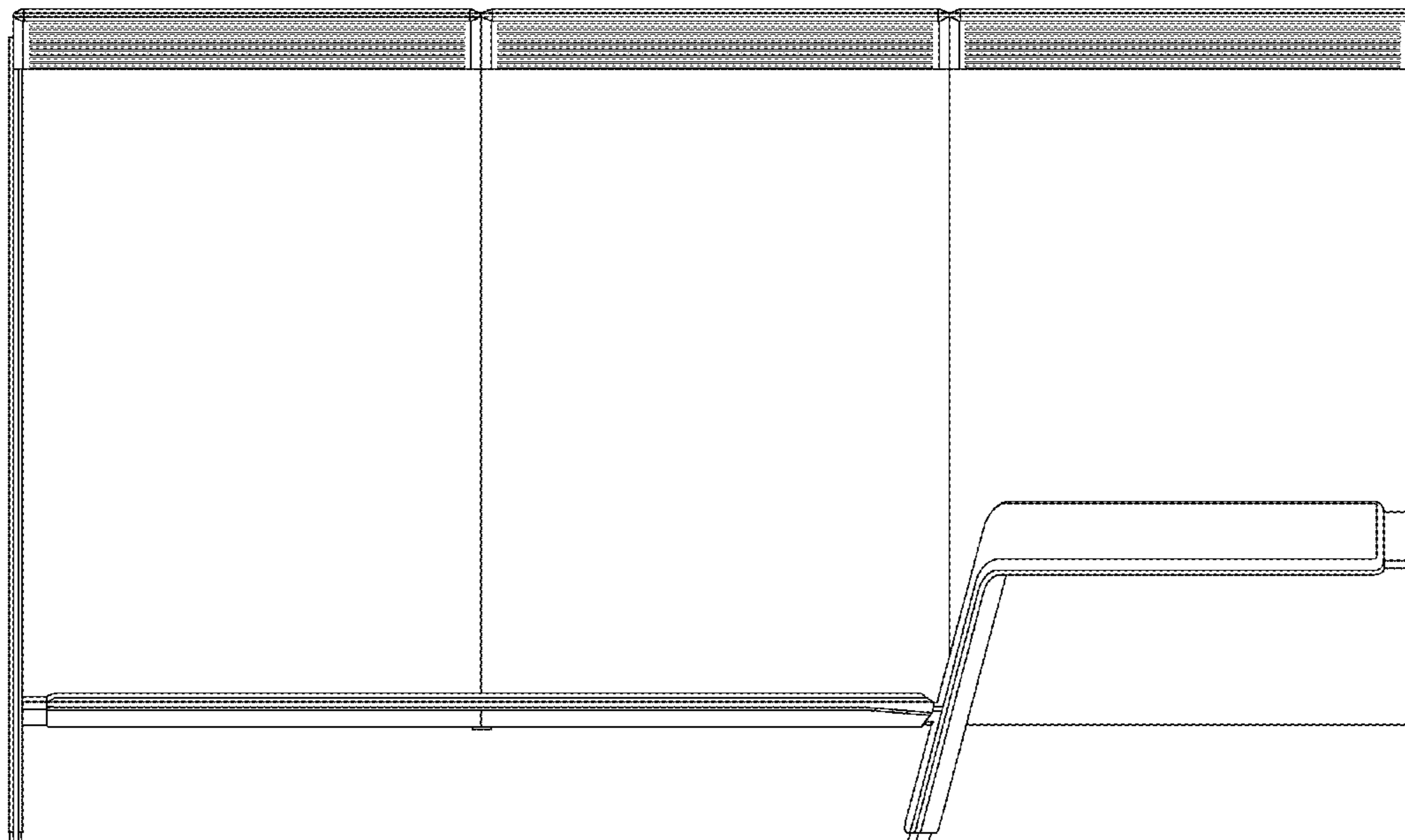
(30) **Foreign Application Priority Data**

Jun. 18, 2012 (BR) 302012003714-0
(51) **LOC (10) Cl.** **25-02**
(52) **U.S. Cl.**
USPC **D25/56**
(58) **Field of Classification Search**
USPC D25/1-35, 56; 135/90, 97; 136/251;
52/173.3, 36.2, 73, 79.1, 28, 36.1
See application file for complete search history.

DESCRIPTION

FIG. 1 is a front elevation view of a bus shelter;
FIG. 2 is a rear elevation view thereof;
FIG. 3 is a right side elevation view thereof;
FIG. 4 is a left side elevation view thereof;
FIG. 5 is a top plan view thereof;
FIG. 6 is a bottom plan view thereof;
FIG. 7 is a perspective view thereof; and,
FIG. 8 is a second perspective view thereof.

1 Claim, 7 Drawing Sheets



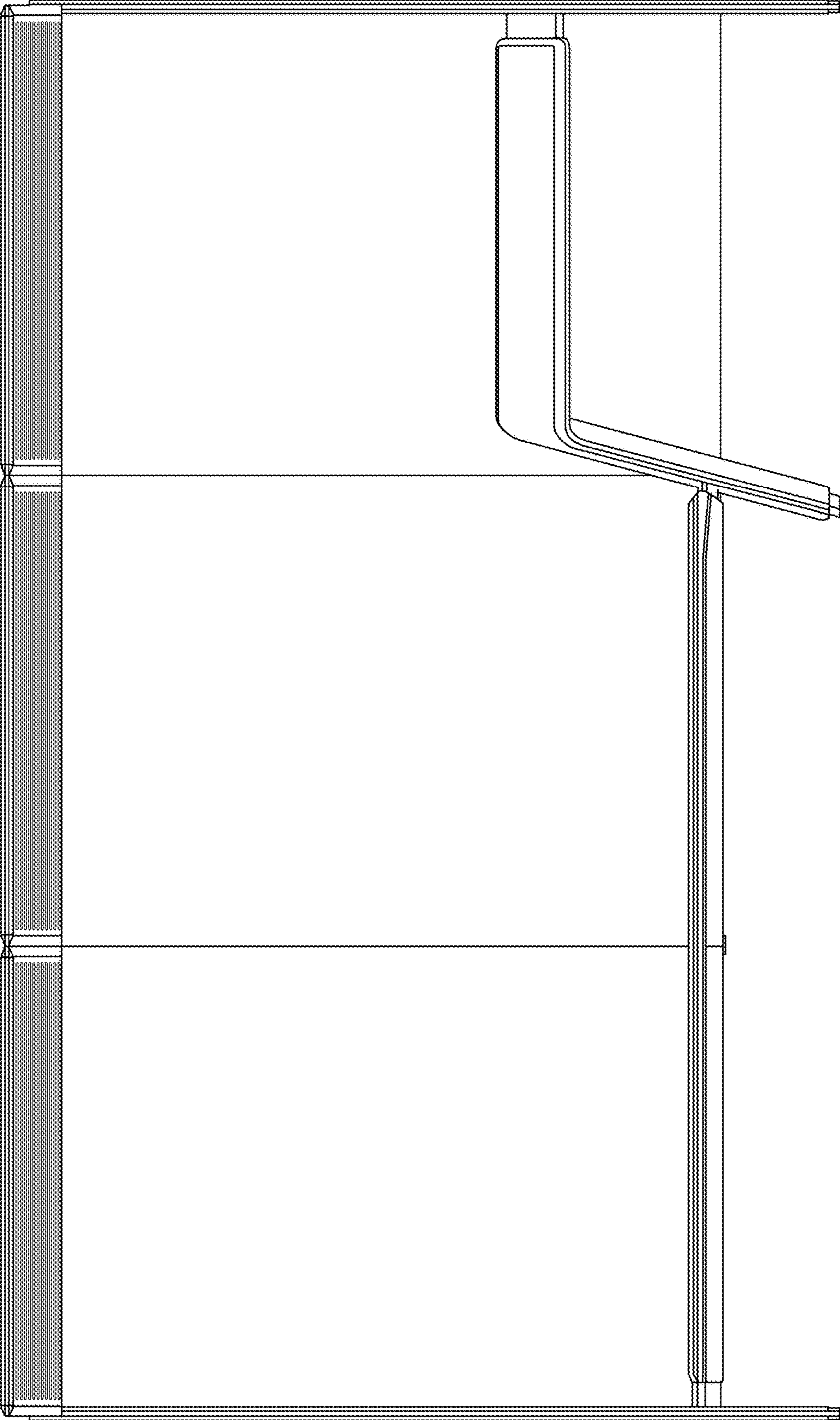


FIG. 1

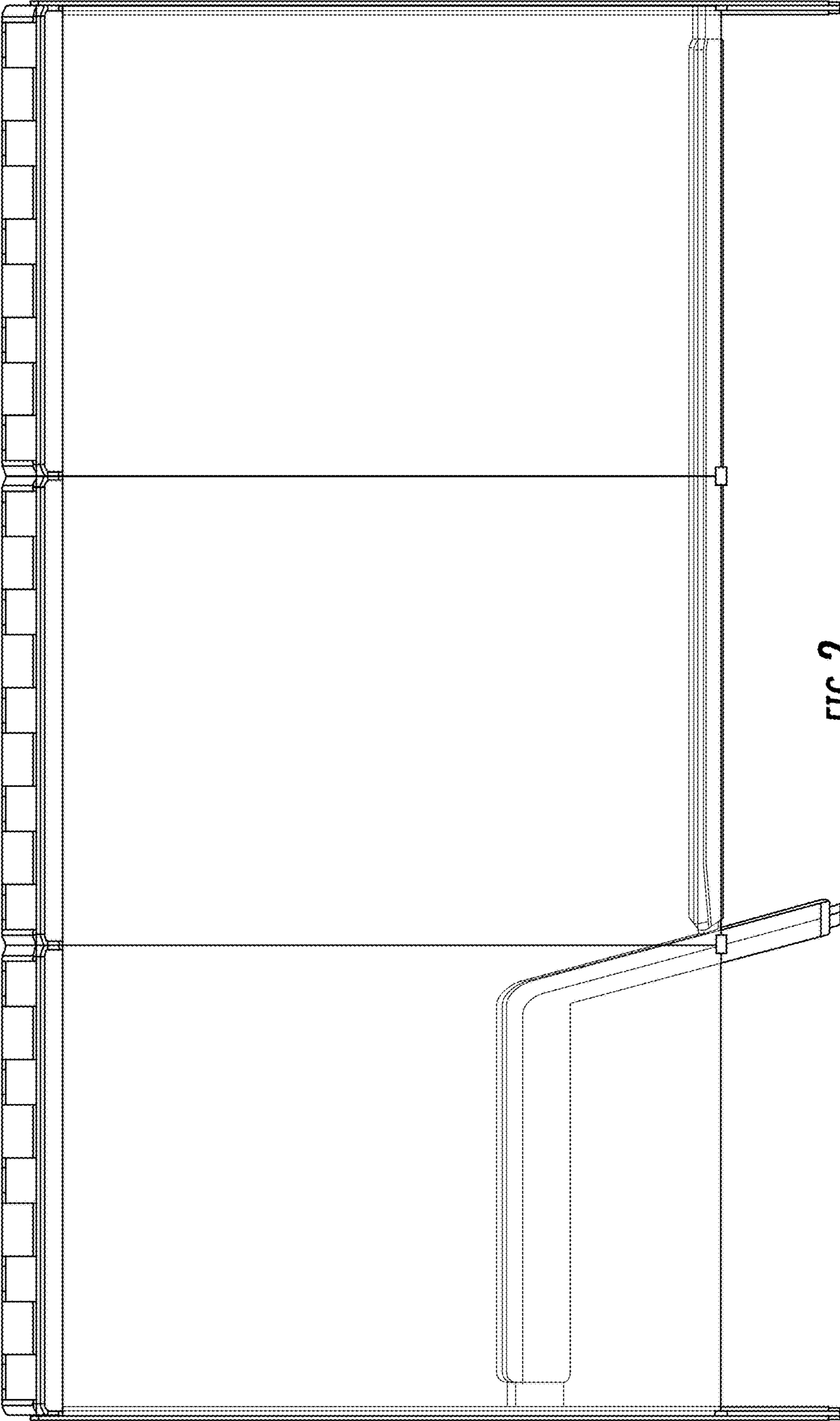


FIG. 2

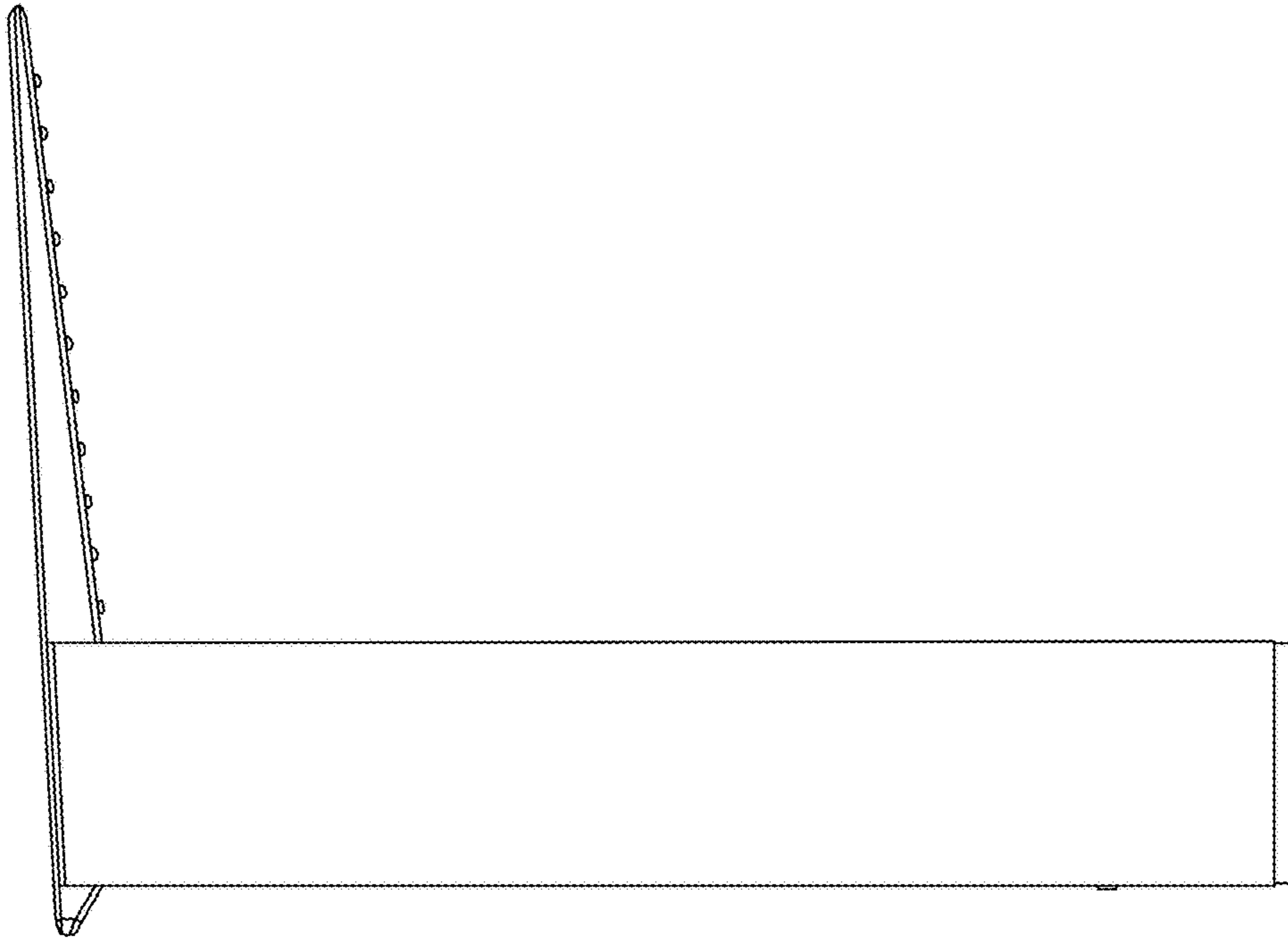


FIG. 4

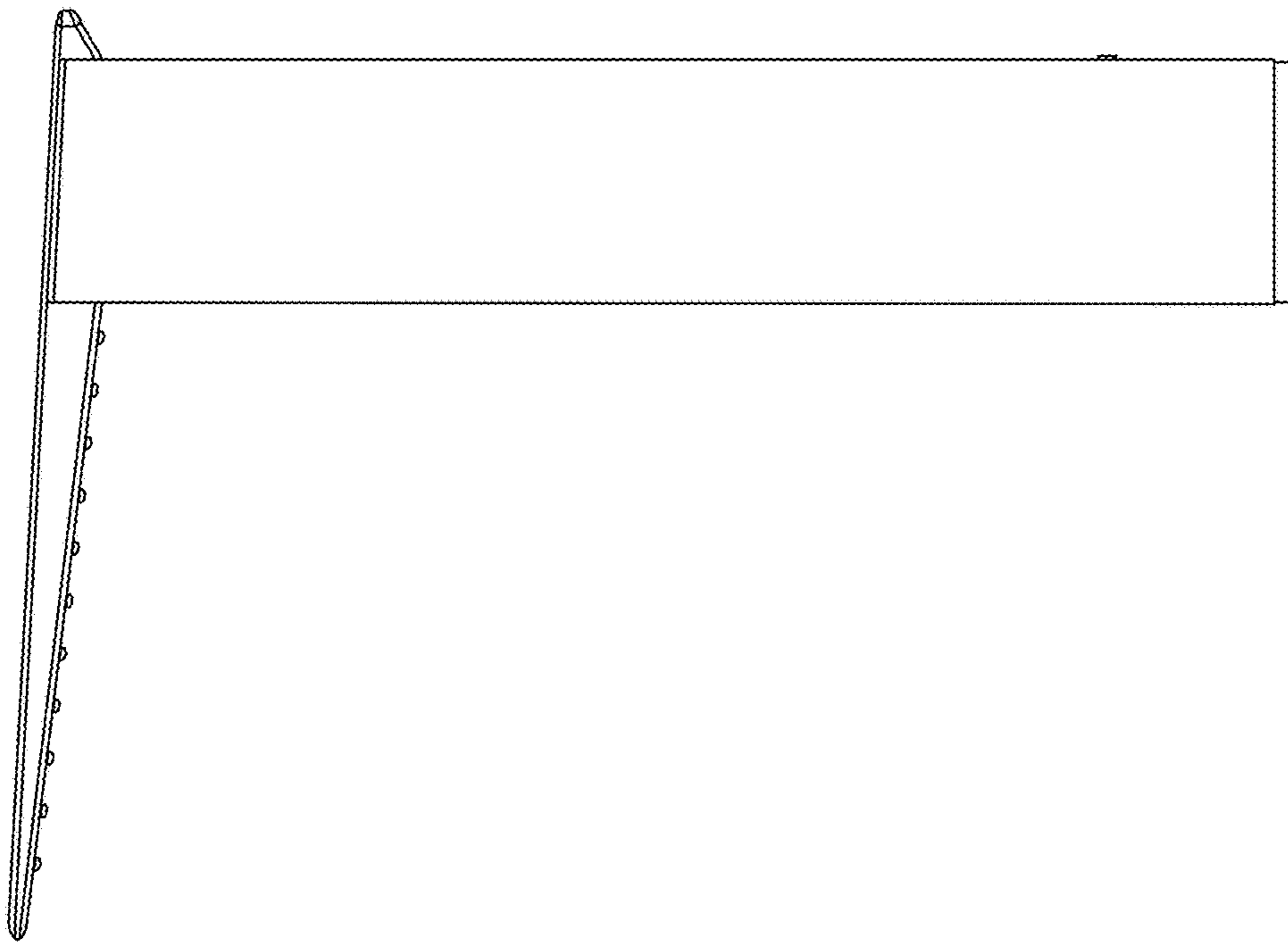


FIG. 3

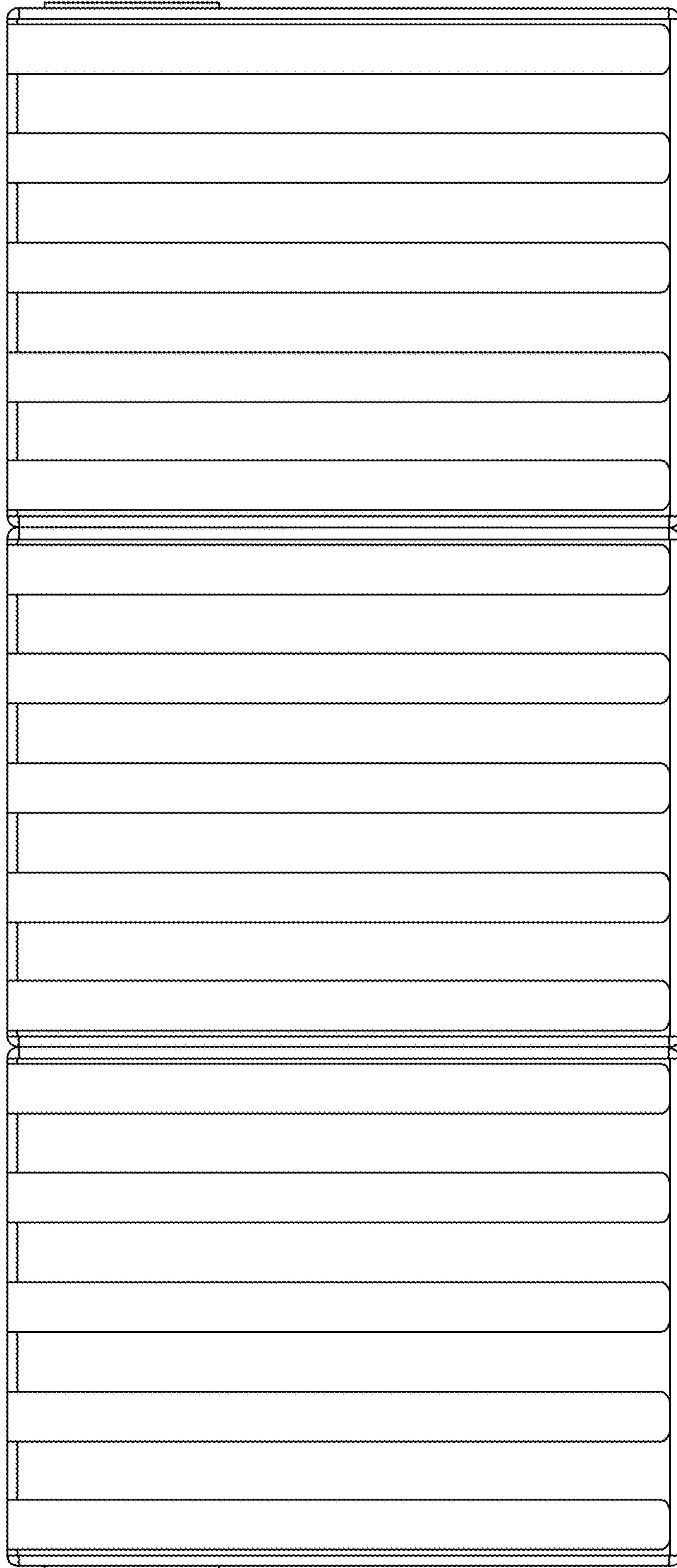


FIG. 5

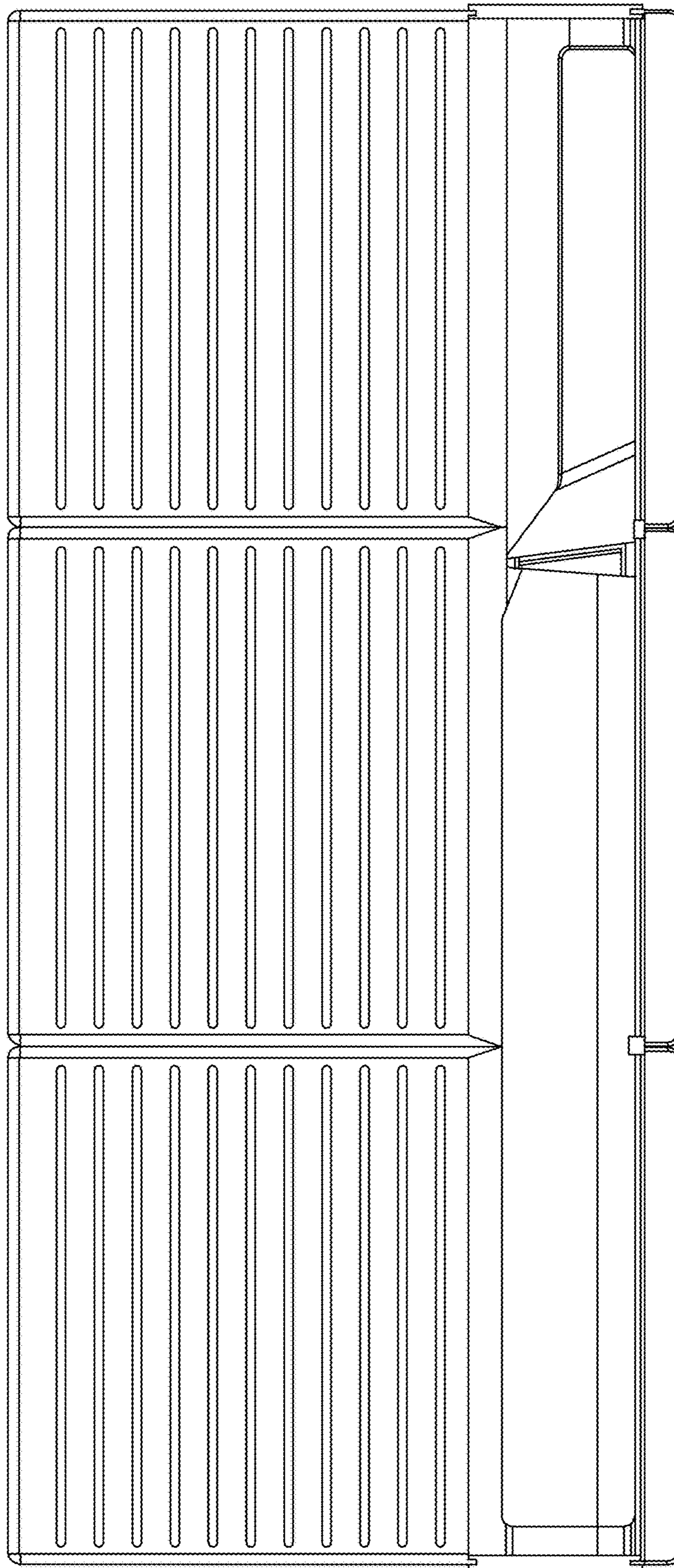


FIG. 6

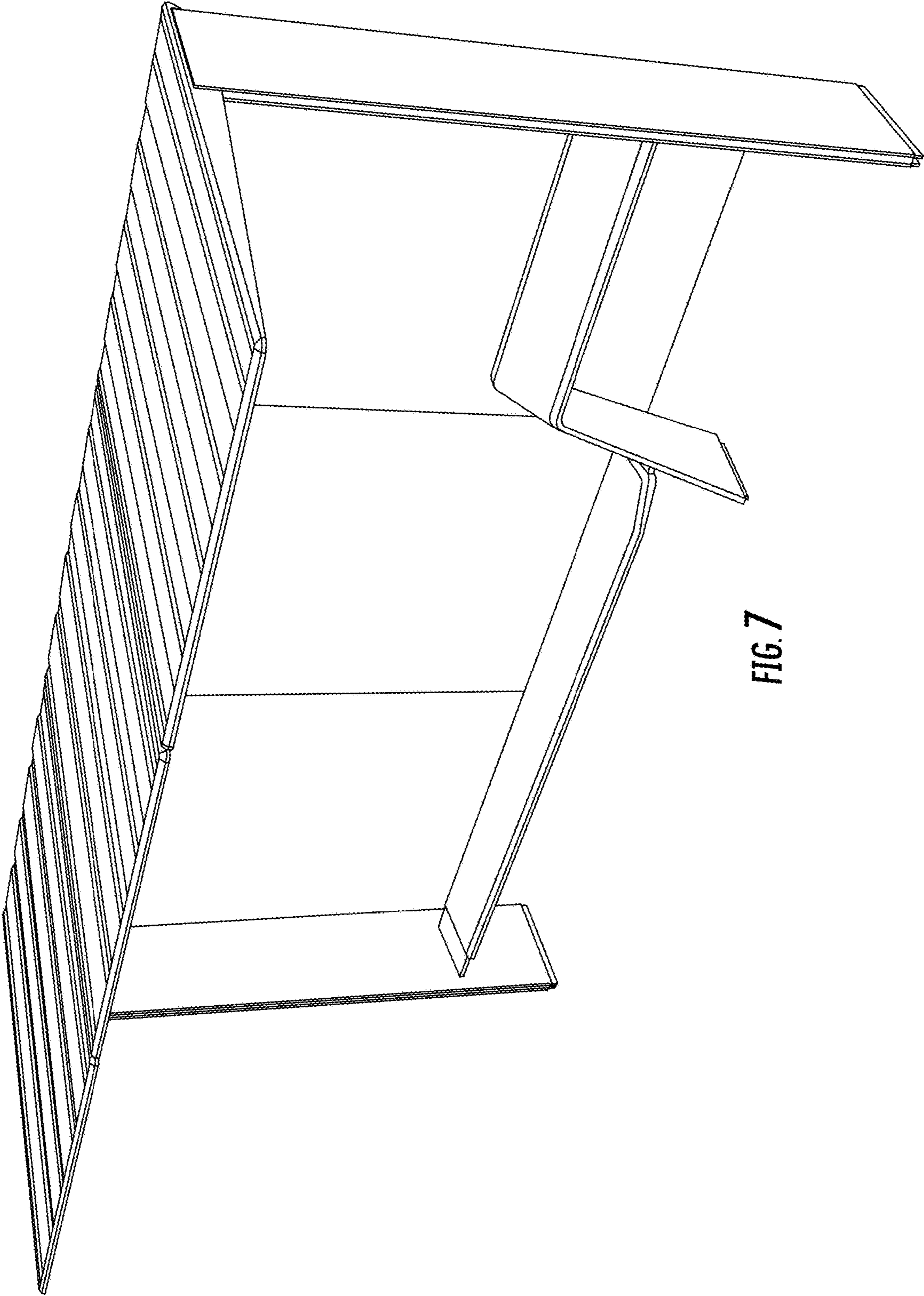


FIG. 7

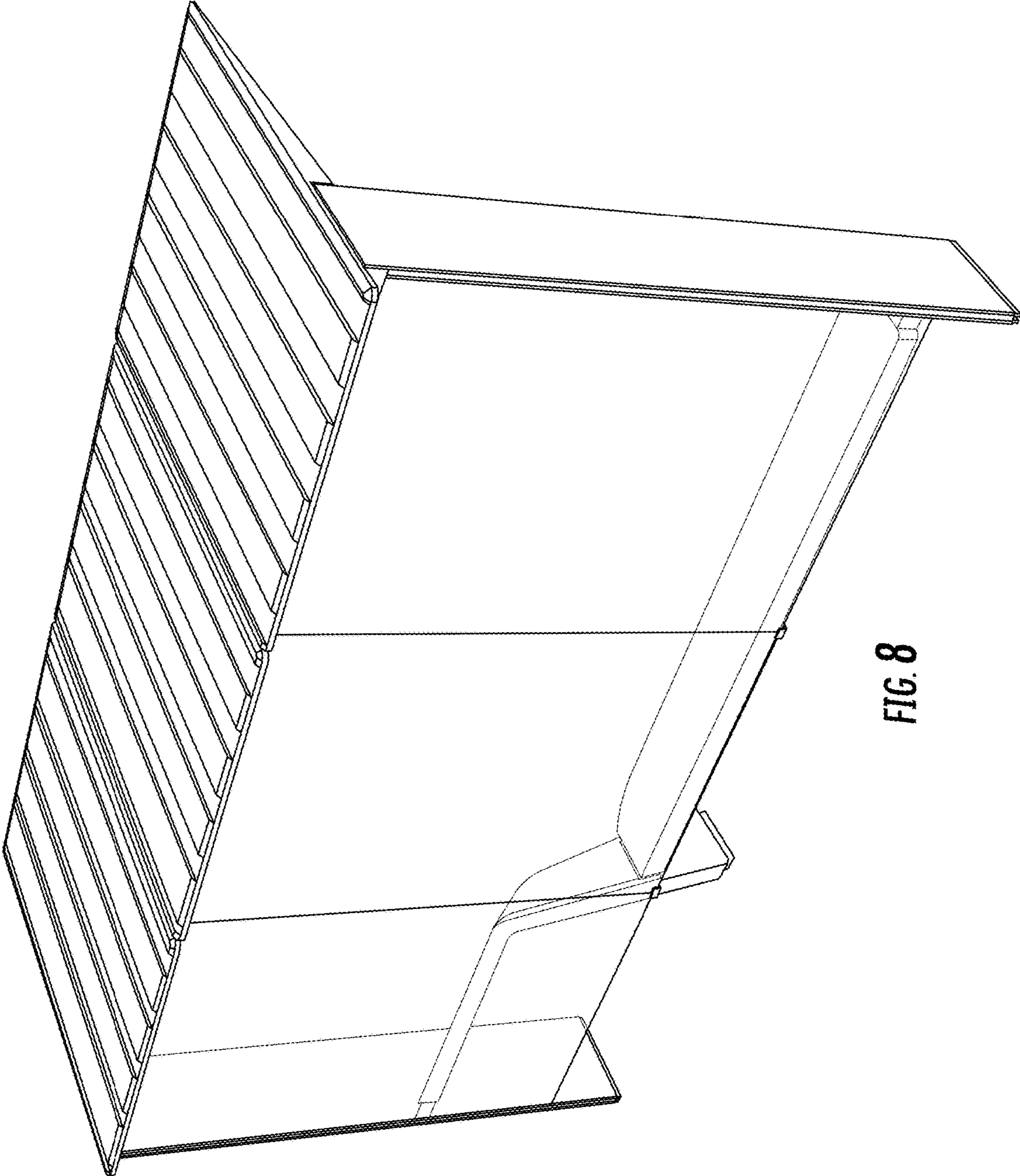


FIG. 8