



US00D786450S

(12) **United States Design Patent** (10) **Patent No.:** **US D786,450 S**  
**Schoonover** (45) **Date of Patent:** **\*\* May 9, 2017**

- (54) **DUAL BULBOUS SEAL** 4,370,833 A \* 2/1983 Niemanns ..... E06B 7/2312  
49/489.1
- (71) Applicant: **LTI Flexible Products, Inc.**, Modesto, CA (US) 6,374,545 B1 \* 4/2002 Baczuk ..... E06B 7/23  
49/470
- (72) Inventor: **James E Schoonover**, Shelby Township, MI (US) D669,820 S \* 10/2012 Schoonover ..... D12/106  
D696,104 S \* 12/2013 Kampl ..... D8/394  
8,726,575 B1 \* 5/2014 Vulpitta ..... E06B 7/22  
49/470
- (73) Assignee: **LTI Flexible Products, Inc.**, Modesto, CA (US) D741,231 S \* 10/2015 Schoonover ..... D12/106  
D741,232 S \* 10/2015 Schoonover ..... D12/106  
D745,189 S \* 12/2015 Stoesser ..... D25/125  
D747,667 S \* 1/2016 Schoonover ..... D12/106  
D760,135 S \* 6/2016 Schoonover ..... D12/190  
D773,342 S \* 12/2016 Schoonover ..... D12/106  
D775,367 S \* 12/2016 Mitchell ..... D25/48.2
- (\*\*) Term: **15 Years**
- (21) Appl. No.: **29/558,732**
- (22) Filed: **Mar. 21, 2016**

(Continued)

*Primary Examiner* — Rosemary K Tarcza  
*Assistant Examiner* — Leanne Was-Englehart  
(74) *Attorney, Agent, or Firm* — Botkin & Hall, LLP

**Related U.S. Application Data**

- (62) Division of application No. 29/503,229, filed on Sep. 24, 2014, now Pat. No. Des. 773,342.
- (51) **LOC (10) Cl.** ..... **25-01**
- (52) **U.S. Cl.**  
USPC ..... **D25/48.2; D12/106**
- (58) **Field of Classification Search**  
USPC ..... D8/400; D12/19, 100–106; D25/48.2,  
D25/102, 119–125, 136, 164; 277/562,  
277/642, 647  
CPC ..... B60R 13/04; B60R 13/06; B60R 13/043;  
B60J 10/04; B60J 10/0011; E06B 7/22;  
E06B 7/23  
See application file for complete search history.

(57) **CLAIM**

The ornamental design for a dual bulbous seal, as shown and described.

**DESCRIPTION**

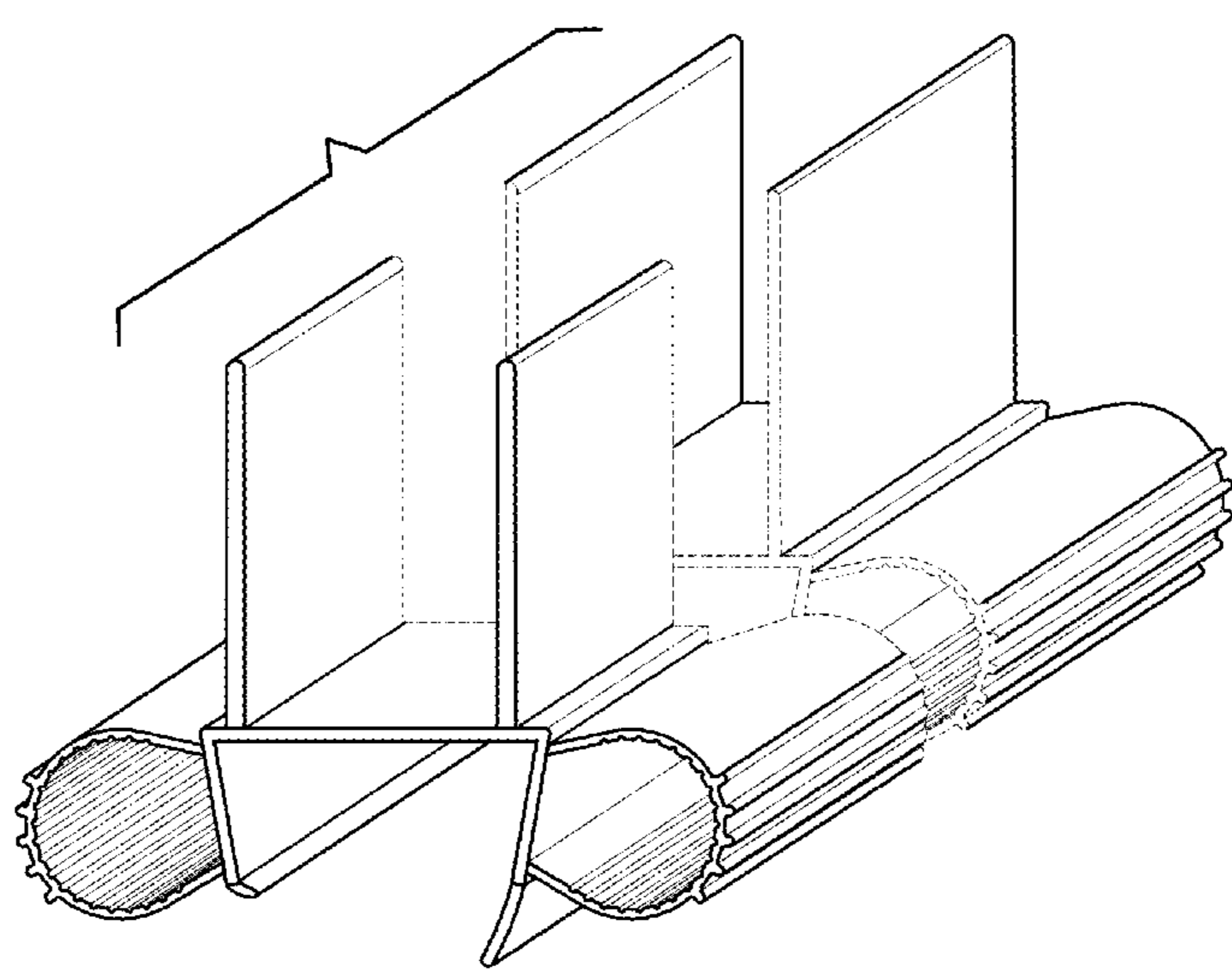
FIG. 1 is a perspective view of the dual bulbous seal; FIG. 2 is a front elevation view of the dual bulbous seal of FIG. 1, the rear elevation view of the dual bulbous seal is a mirror image of that shown in FIG. 2; FIG. 3 is a top plan view of the dual bulbous seal of FIGS. 1-2; FIG. 4 is a left side elevation view of the dual bulbous seal of FIGS. 1-3; FIG. 5 is a right side elevation view of the dual bulbous seal of FIGS. 1-4; and, FIG. 6 is a bottom plan view of the dual bulbous seal of FIGS. 1-5.  
The symbolic break lines depict the boundaries of the Claim. The area between the break lines forms no part of the claimed design.

(56) **References Cited**

**U.S. PATENT DOCUMENTS**

- 1,748,216 A \* 2/1930 Greene ..... B60J 10/74  
49/441
- 3,324,598 A \* 6/1967 Tinfow ..... E06B 7/2316  
49/482.1
- 4,119,325 A \* 10/1978 Oakley ..... E06B 7/2312  
277/642

**1 Claim, 3 Drawing Sheets**



(56)

**References Cited**

U.S. PATENT DOCUMENTS

D775,368 S \* 12/2016 Jaskiewicz ..... D25/48.2  
2012/0079771 A1\* 4/2012 Meulemans ..... E06B 7/2305  
49/484.1  
2013/0269262 A1\* 10/2013 Siegel ..... B60R 13/08  
49/492.1  
2014/0001710 A1\* 1/2014 Siegel ..... B60R 13/06  
277/630  
2014/0225333 A1\* 8/2014 Siegel ..... B60P 3/32  
277/630  
2014/0326419 A1\* 11/2014 Ona-Gonzalez .... E05D 15/0604  
160/115

\* cited by examiner

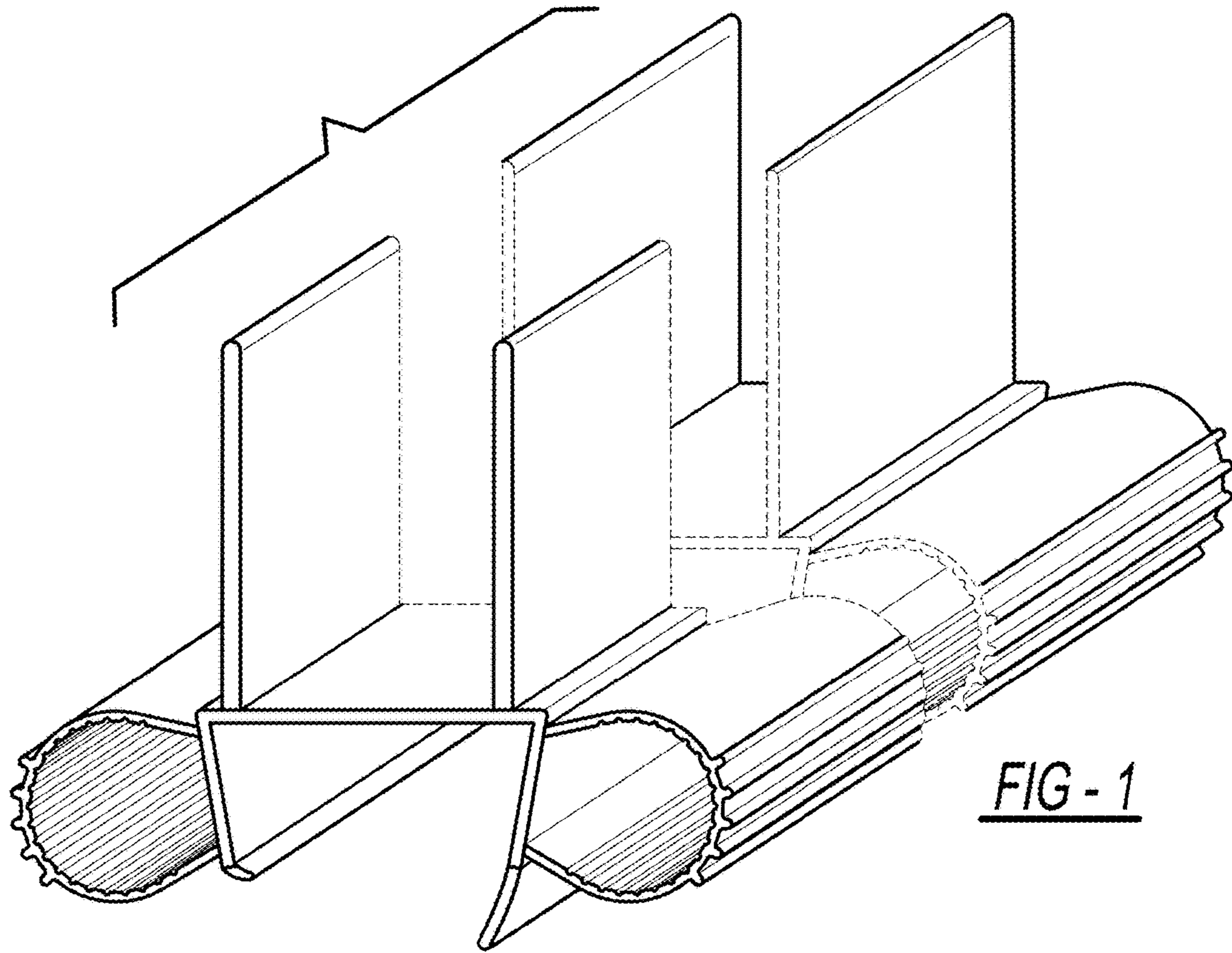
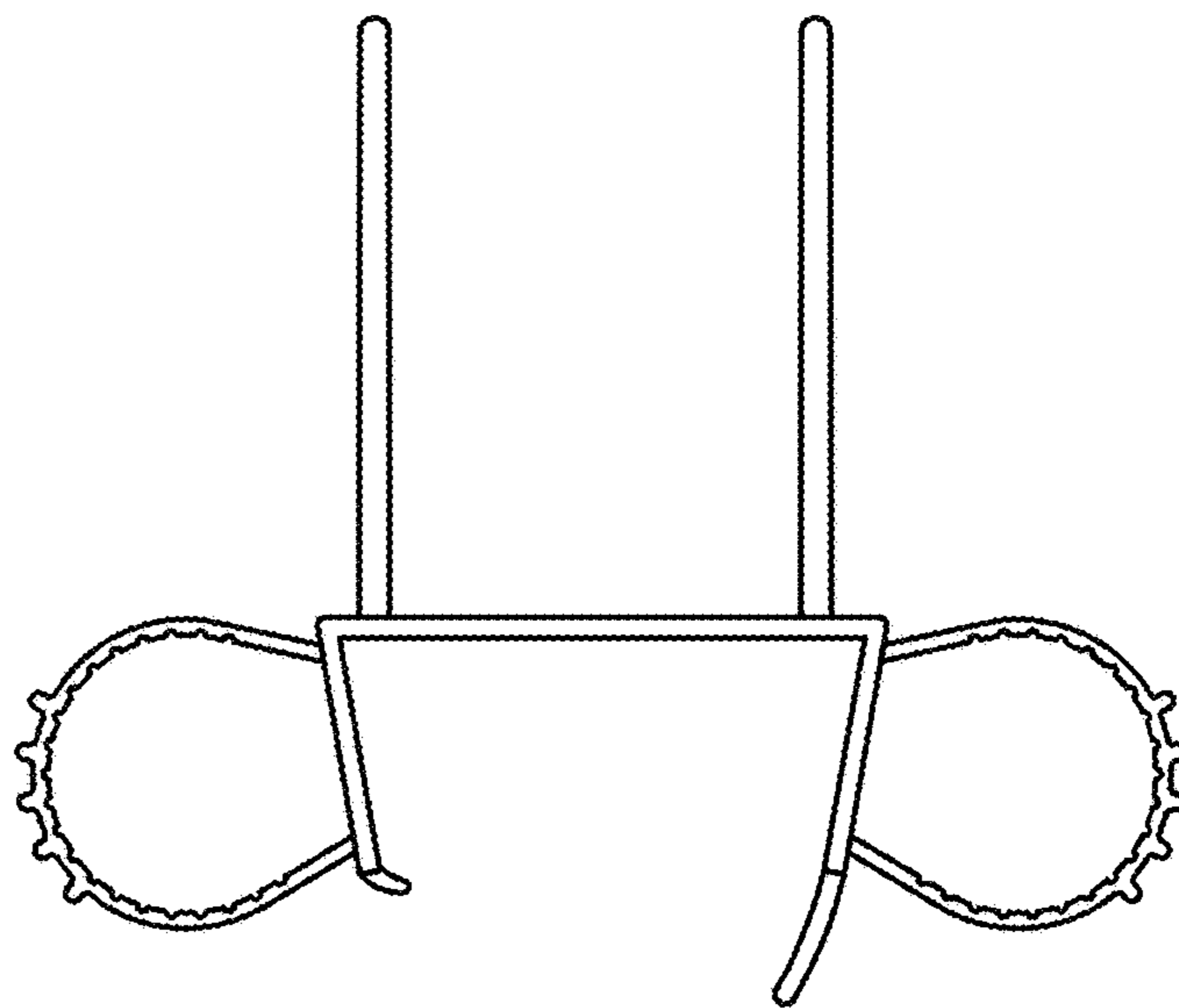


FIG - 2



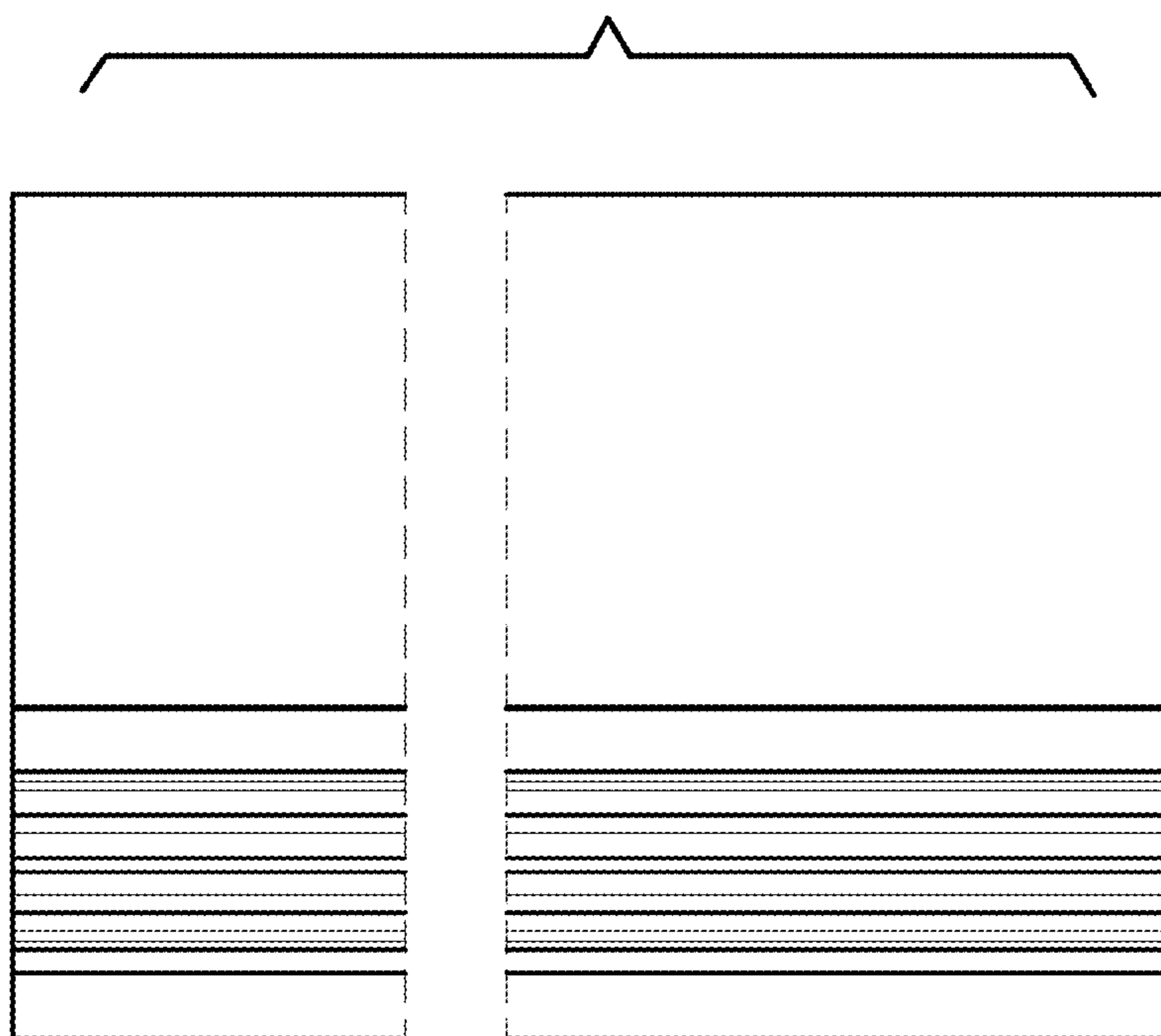
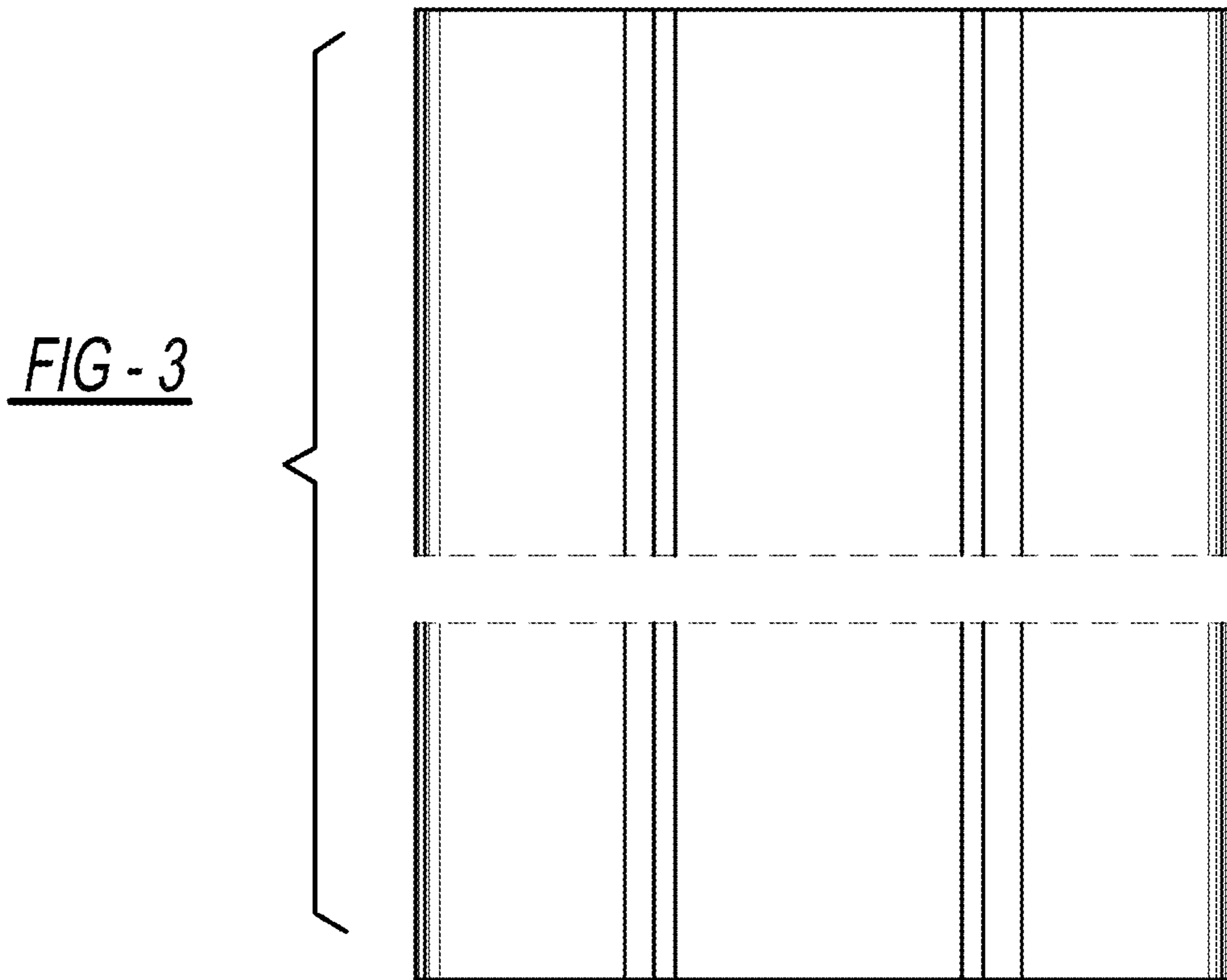


FIG - 4

