



US00D786449S

(12) **United States Design Patent** (10) **Patent No.:** **US D786,449 S**
Webster (45) **Date of Patent:** **** May 9, 2017**

(54) **ELLIPTICAL BALUSTER**
(71) Applicant: **Universal Consumer Products, Inc.,**
Grand Rapids, MI (US)
(72) Inventor: **Patrick M. Webster,** Grand Rapids, MI
(US)
(73) Assignee: **Universal Consumer Products, Inc.,**
Grand Rapids, MI (US)
(**) Term: **14 Years**

2,969,955 A 1/1961 Newman
2,976,018 A 3/1961 Dellagala
3,092,372 A 6/1963 Cogle
3,323,781 A * 6/1967 Murdock E04F 11/181
256/67
3,973,756 A * 8/1976 Lauzier E04F 11/181
256/21
4,386,761 A 6/1983 Kato
D291,006 S * 7/1987 Minichillo D25/122
D415,847 S * 10/1999 Schaefer D25/126
6,059,269 A 5/2000 Ross
D455,216 S * 4/2002 Fenstermacher D25/38.1
D476,089 S * 6/2003 Fenstermacher D25/38.1

(Continued)

(21) Appl. No.: **29/472,154**

FOREIGN PATENT DOCUMENTS

(22) Filed: **Nov. 8, 2013**
(51) **LOC (10) Cl.** **25-01**
(52) **U.S. Cl.**
USPC **D25/38.1**
(58) **Field of Classification Search**
USPC D25/38.1, 42, 126
CPC E04F 11/038; E04F 11/0226; E04F 11/18;
E04F 11/181; E04F 2011/1885; E04F
2011/1889; E04F 2011/1897; E04H
17/14; E04H 17/1413; E04H 17/1426;
E04H 17/1439; E04H 17/20
See application file for complete search history.

CN 301949506 * 6/2012
DE 10215156 A1 * 11/2003 E04B 1/585
DE 10251489 A1 * 5/2004 E04H 17/161

Primary Examiner — Susan Bennett Hattan
Assistant Examiner — Leanne Was-Englehart
(74) *Attorney, Agent, or Firm* — McGarry Bair PC

(56) **References Cited**

DESCRIPTION

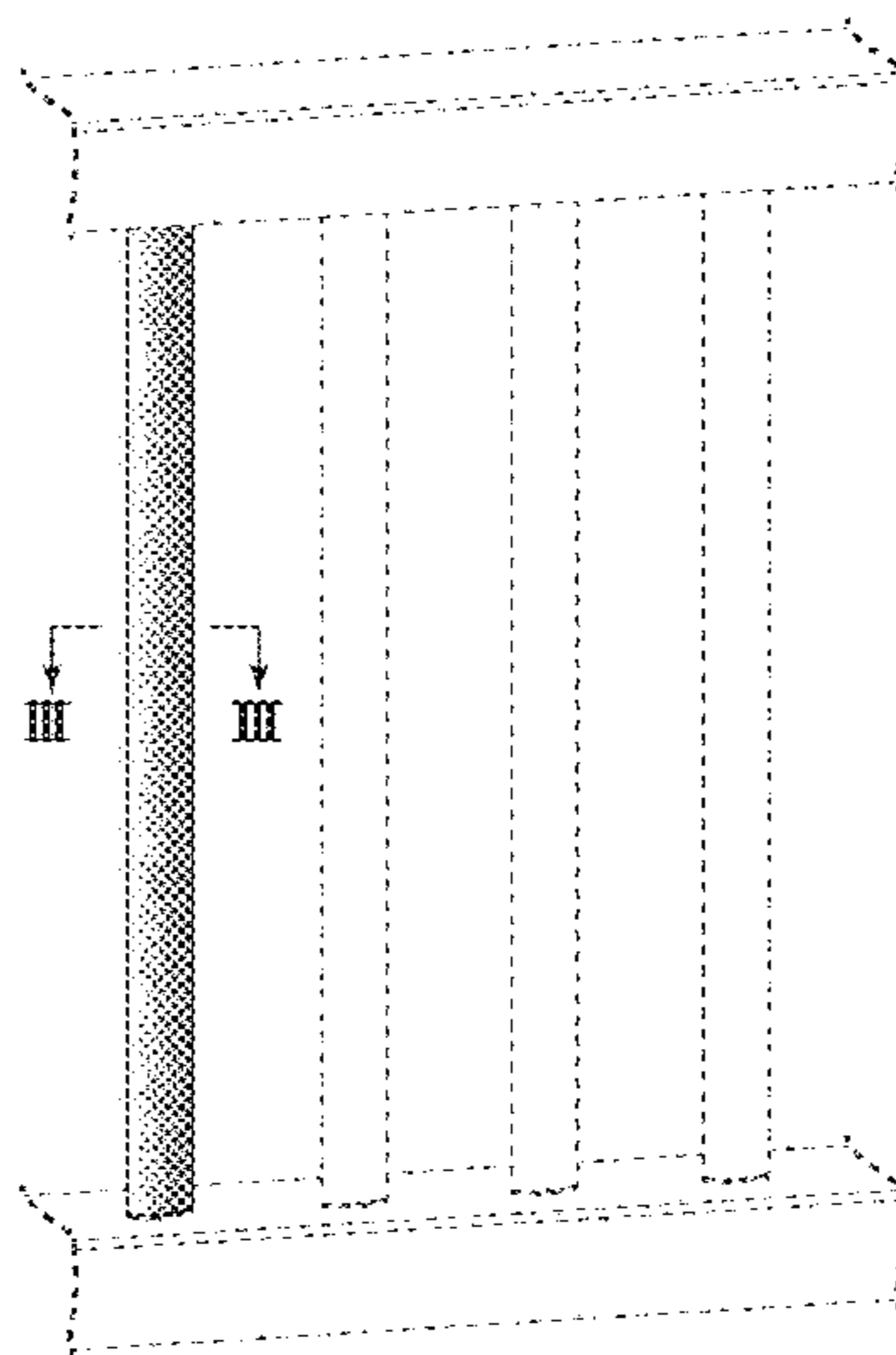
U.S. PATENT DOCUMENTS

8,149 A 6/1851 Crowell
22,448 A 12/1858 Nuttall
D12,971 S * 6/1882 Thomas D25/126
D12,972 S * 6/1882 Thomas D25/126
334,973 A * 1/1886 Newkirk E04H 17/1413
256/71
2,093,391 A * 9/1937 Rogers E04H 17/20
138/101
2,654,579 A 10/1953 Cremens
2,655,345 A 10/1953 Lindman
2,834,621 A * 5/1958 Schroer E04F 11/181
256/65.07

(57) **CLAIM**
The ornamental design for an elliptical baluster, as shown and described.

FIG. 1 is a perspective view of an elliptical baluster showing my new design shown in a straight railing that is perpendicular to the baluster.
FIG. 2 is a perspective view of an elliptical baluster showing my new design shown in an angled railing that is angled to the baluster; and,
FIG. 3 is a sectional view taken along line III-III of FIG. 1. In the drawings, the broken lines represent an environment in which the claimed design is embodied and form no part of the claimed design.

1 Claim, 2 Drawing Sheets



(56)

References Cited

U.S. PATENT DOCUMENTS

7,082,735	B2	8/2006	Ramsey	
D543,638	S *	5/2007	Mertins	D25/38.1
7,971,412	B1	7/2011	Lim	
D760,523	S *	7/2016	Bonuccelli	D25/122
2002/0070377	A1	6/2002	Erwin	
2004/0177586	A1	9/2004	McLean	
2005/0205855	A1	9/2005	Chung	
2006/0076546	A1	4/2006	Bertato	
2006/0175592	A1	8/2006	DeRogatis et al.	
2008/0169456	A1	7/2008	Ross	
2011/0198553	A1	8/2011	Holterman	

* cited by examiner

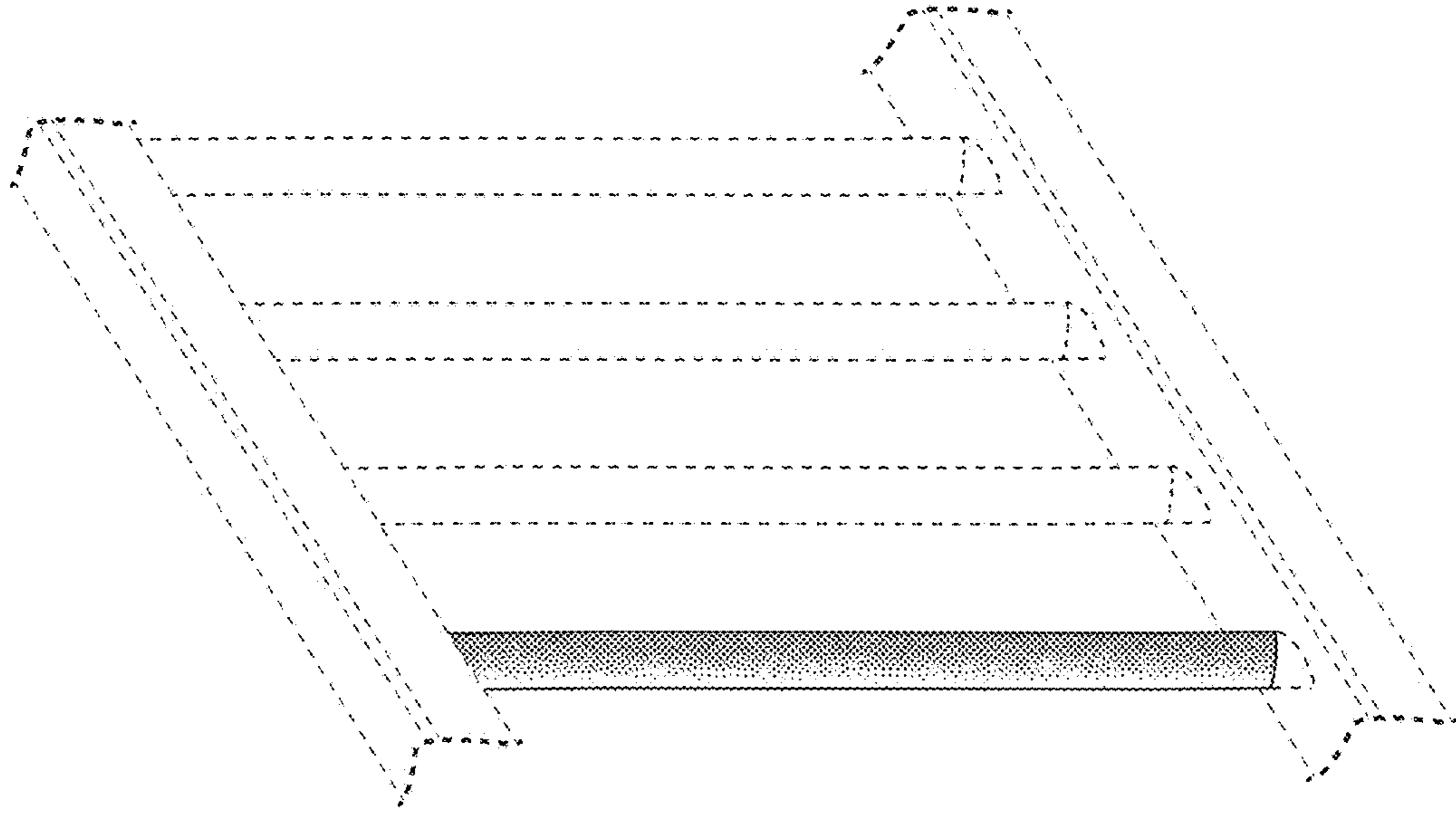


FIG. 2

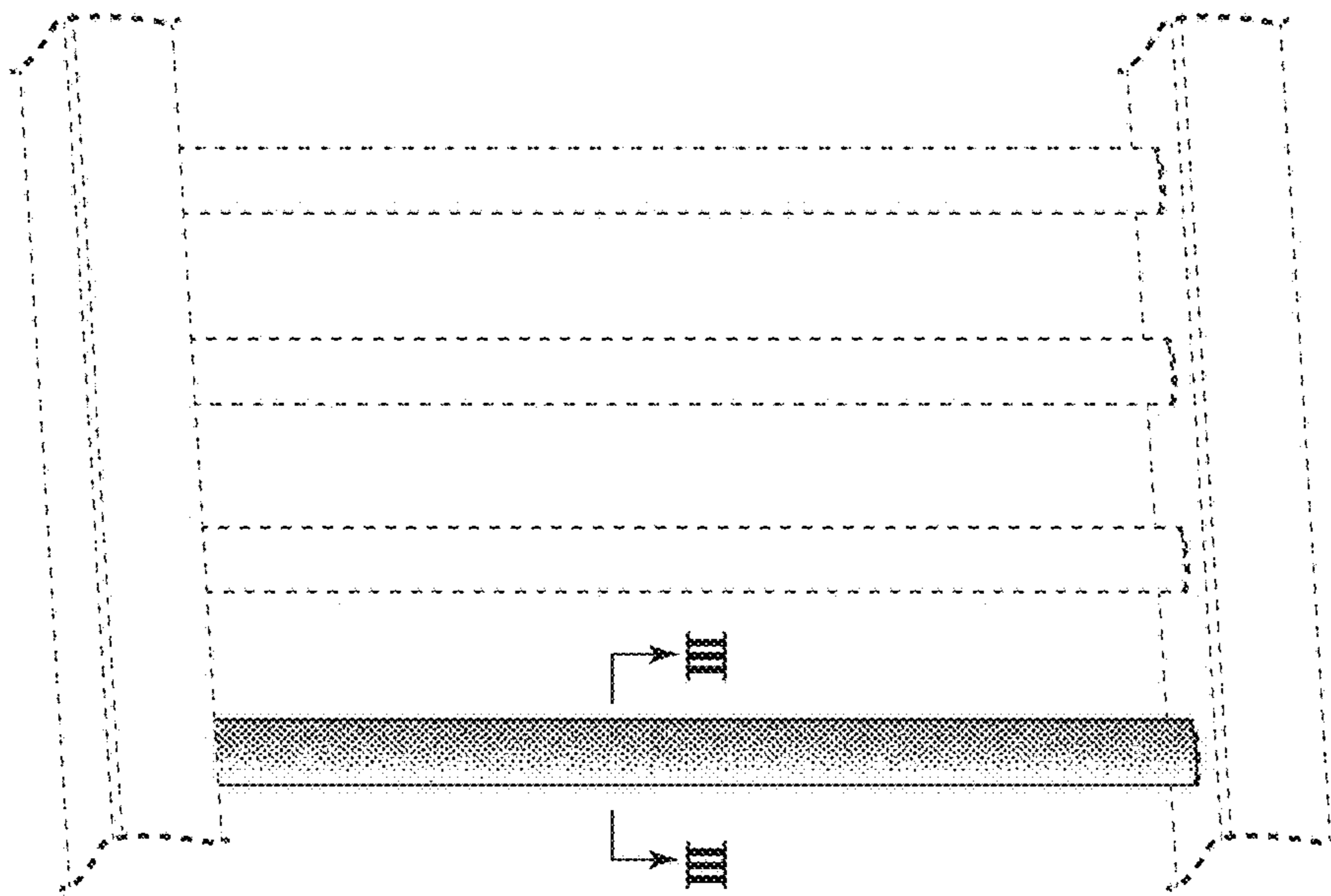


FIG. 1

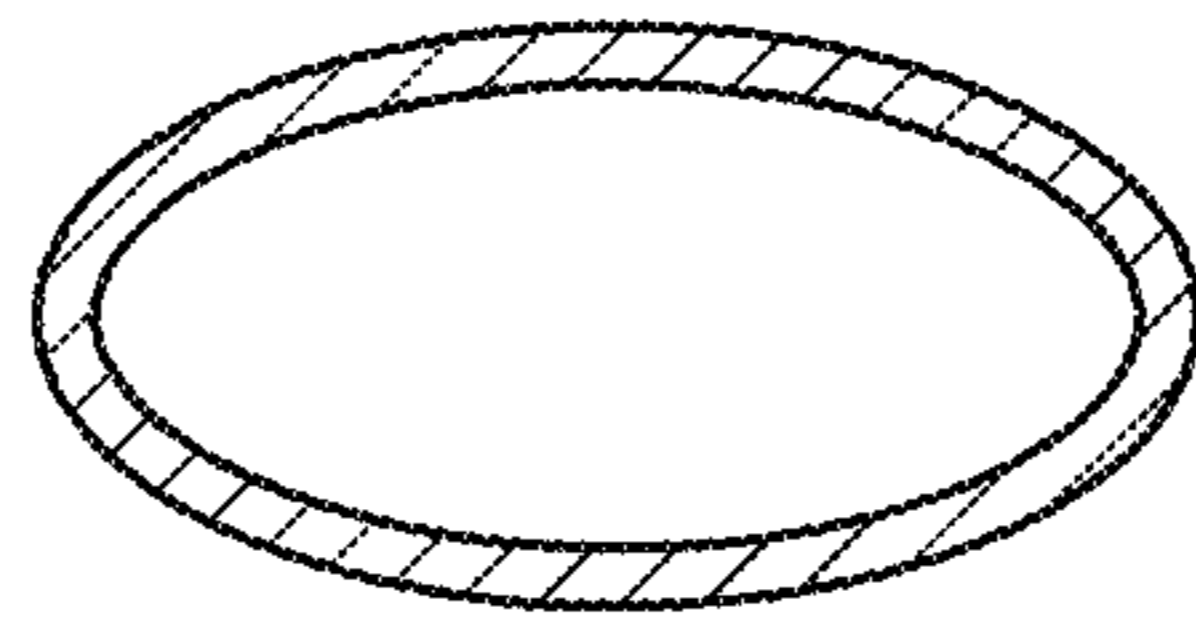


FIG. 3