



US00D786446S

(12) **United States Design Patent**
Takama et al.

(10) **Patent No.:** **US D786,446 S**

(45) **Date of Patent:** **** May 9, 2017**

(54) **WEARABLE MOTION ASSIST DEVICE**

(71) Applicant: **CYBERDYNE Inc.**, Ibaraki (JP)

(72) Inventors: **Masahiro Takama**, Ibaraki (JP);
Hiromasa Hara, Ibaraki (JP)

(73) Assignee: **CYBERDYNE Inc.**, Ibaraki (JP)

(**) Term: **15 Years**

(21) Appl. No.: **29/539,607**

(22) Filed: **Sep. 16, 2015**

(30) **Foreign Application Priority Data**

Mar. 19, 2015 (JP) 2015-005841

(51) **LOC (10) Cl.** **24-04**

(52) **U.S. Cl.**
USPC **D24/190**

(58) **Field of Classification Search**

USPC D24/188-190, 200, 206, 155; D21/683,
D21/687, 688, 689; D29/100, 101.3,
D29/101.5; D2/624, 627, 629, 634, 635
CPC A61F 5/028; A61F 5/03; A61F 7/02; A61F
5/34; A61H 2201/1628; A61H 2205/081;
A41D 13/0525; A41D 13/0531; A41C
1/08

See application file for complete search history.

(56) **References Cited**

U.S. PATENT DOCUMENTS

D329,925 S * 9/1992 Tilbury D24/190
D379,836 S * 6/1997 Chen D21/691
D384,379 S * 9/1997 Lin D21/687
D461,658 S * 8/2002 Koepke D6/716.4
8,317,732 B2 * 11/2012 Yasuhara A63B 21/4011
600/587
D749,227 S * 2/2016 Takama D15/199
9,289,345 B2 * 3/2016 Yasuhara A61H 3/00

9,326,905 B2 * 5/2016 Bhat A61G 7/05776
2009/0254015 A1 * 10/2009 Segal A61F 5/028
602/19
2010/0049102 A1 * 2/2010 Yasuhara A61H 1/0244
601/5

(Continued)

OTHER PUBLICATIONS

Hal, announced Sep. 30, 2014, [online], [site visited Nov. 7, 2016].
Available from Internet, <URL: <https://www.youtube.com/watch?v=S2XvuzE8nuk>>.*

Primary Examiner — George D Kirschbaum

Assistant Examiner — Jennifer Watkins

(74) *Attorney, Agent, or Firm* — IPUSA, PLLC

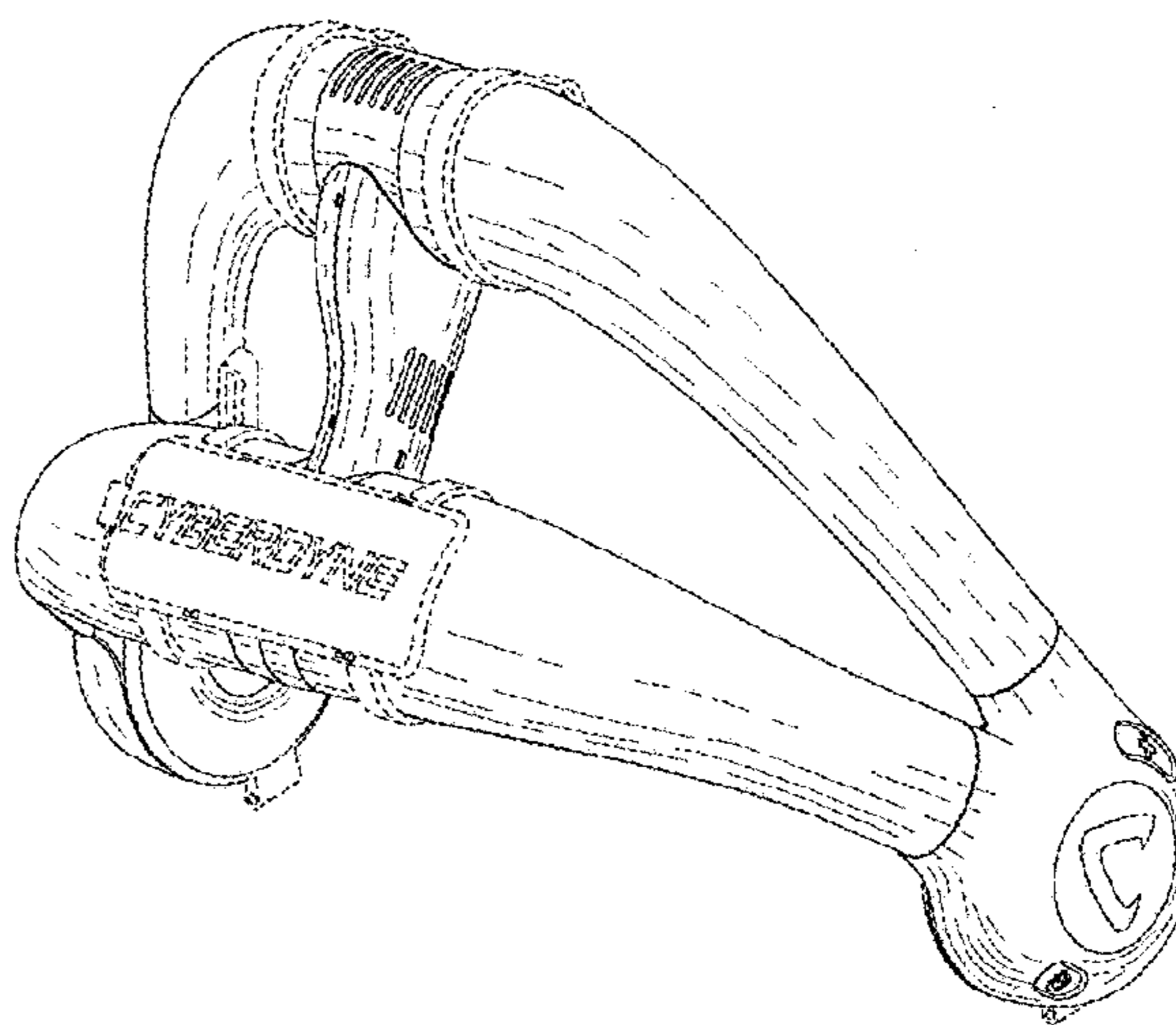
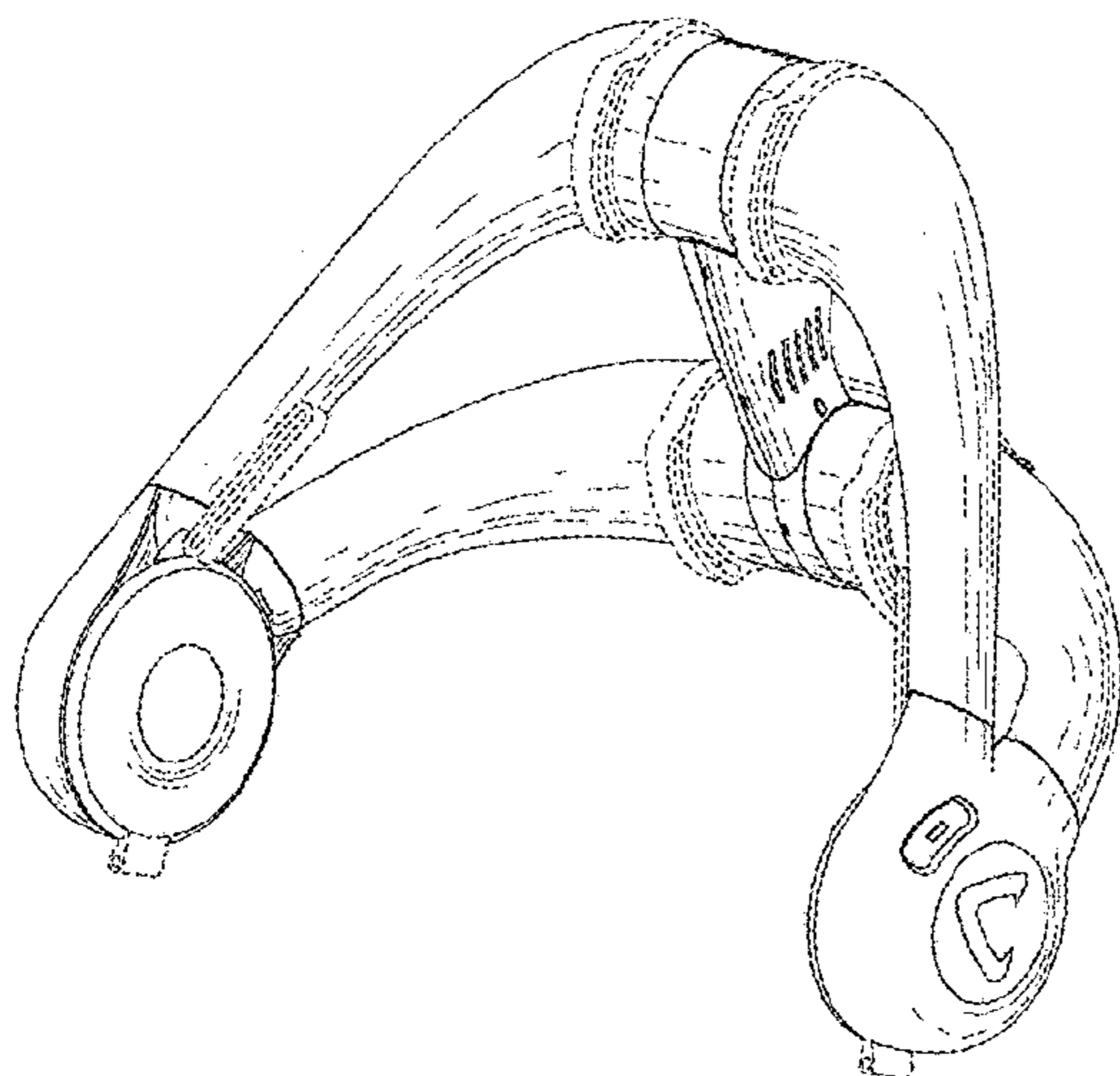
(57) **CLAIM**

The ornamental design for a wearable motion assist device,
as shown and described.

DESCRIPTION

FIG. 1 is a front perspective view of a wearable motion assist device of the claimed design;
FIG. 2 is a rear perspective view of the claimed portion thereof;
FIG. 3 is a front view thereof;
FIG. 4 is a rear view thereof;
FIG. 5 is a top plan view thereof;
FIG. 6 is a bottom view thereof;
FIG. 7 is a left side view thereof;
FIG. 8 is a right side view thereof;
FIG. 9 is a cross-sectional view, along line 9-9 in FIG. 3;
FIG. 10 is a rear view thereof, shown in a state of use; and
FIG. 11 is a left side view thereof, shown in a state of use.
The broken lines are for the purpose of illustrating portions of a wearable motion assist device and form no part of the claim. The broken lines showing a human in FIG. 10 are for the purpose of illustrating environment and form no part of the claim.

1 Claim, 6 Drawing Sheets



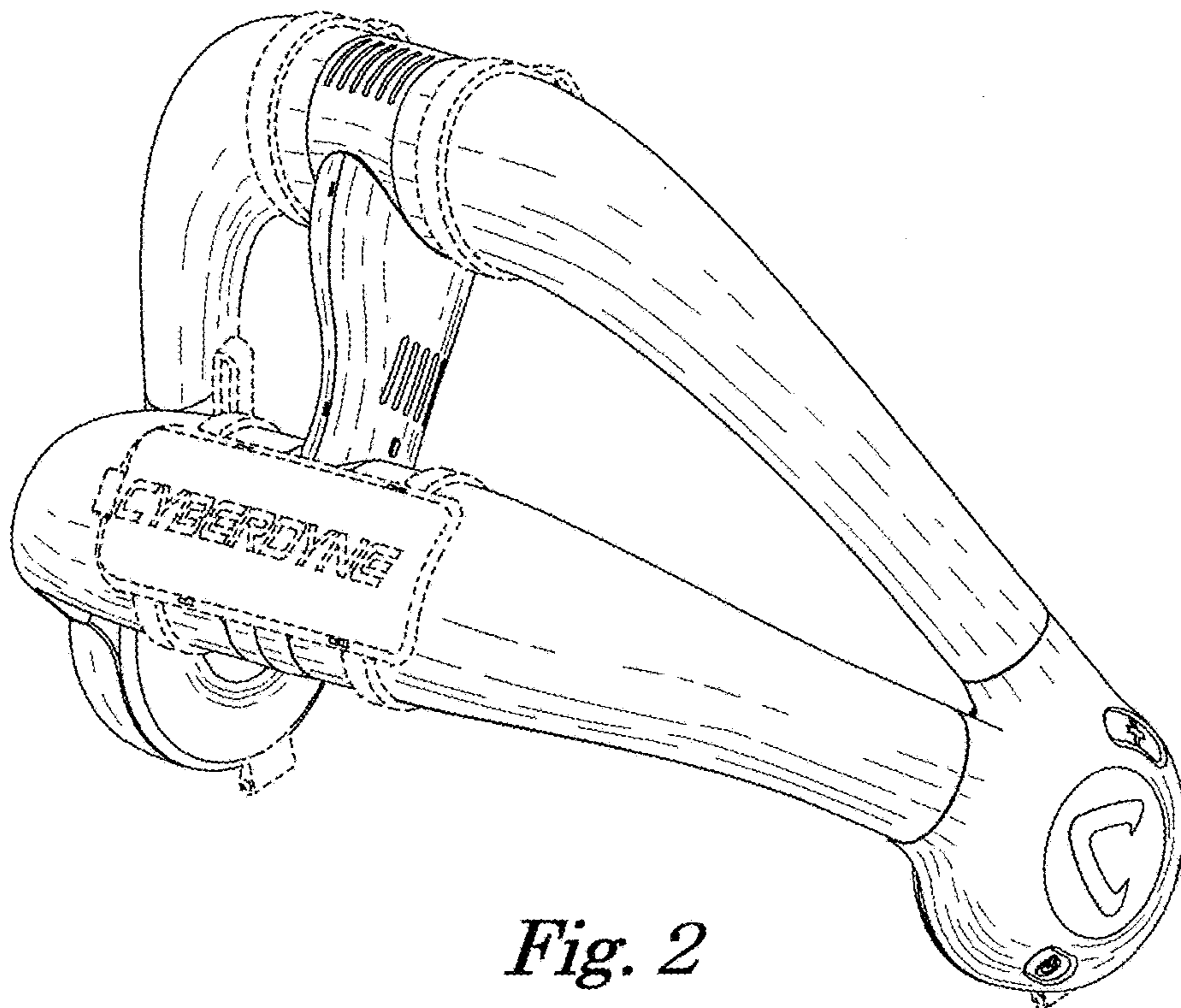
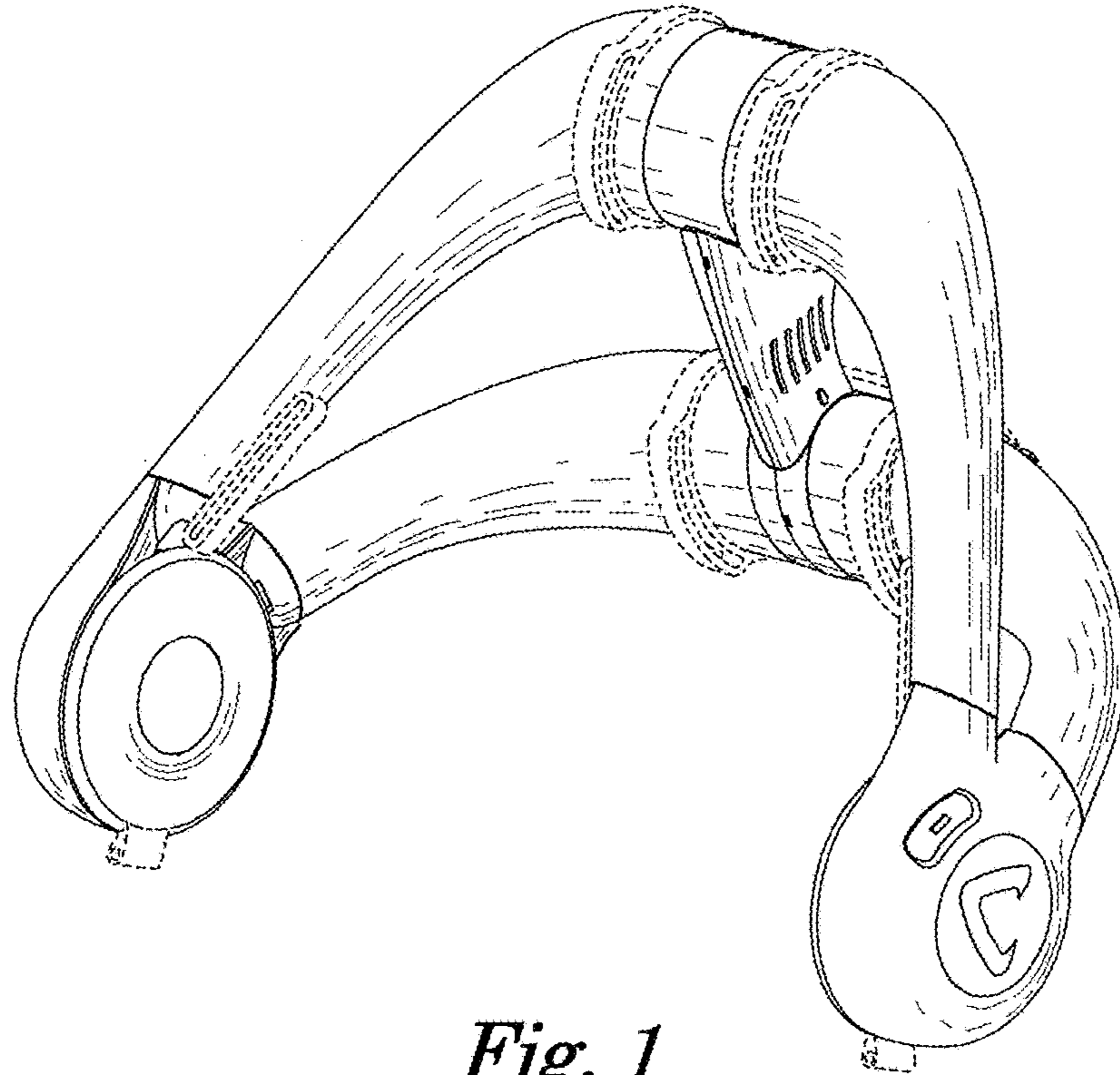
(56)

References Cited

U.S. PATENT DOCUMENTS

2010/0271051 A1* 10/2010 Sankai A61B 5/1038
324/679
2011/0288453 A1* 11/2011 Endo A61H 1/0244
601/35
2013/0006159 A1* 1/2013 Nakashima A61H 1/024
602/23

* cited by examiner



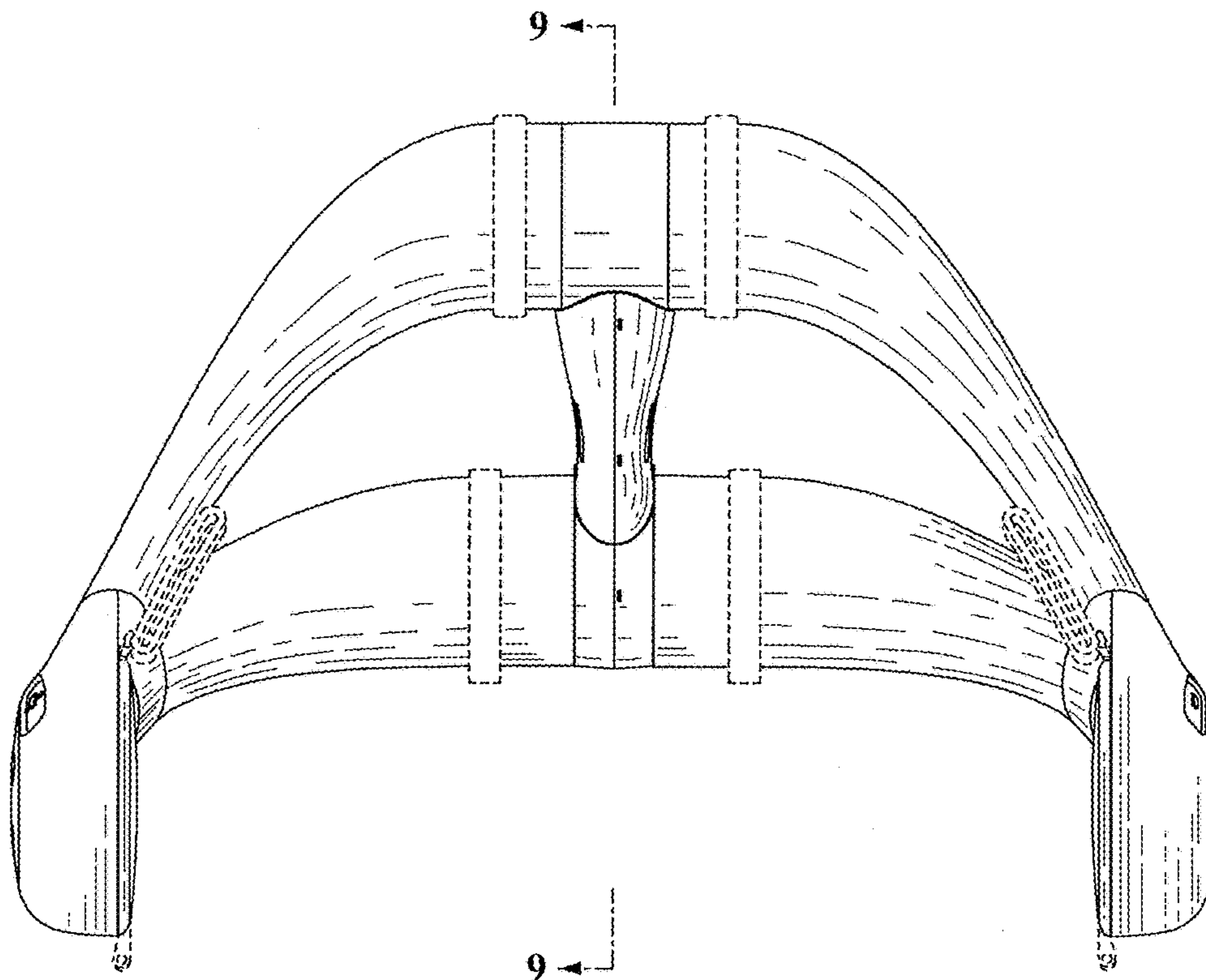


Fig. 3

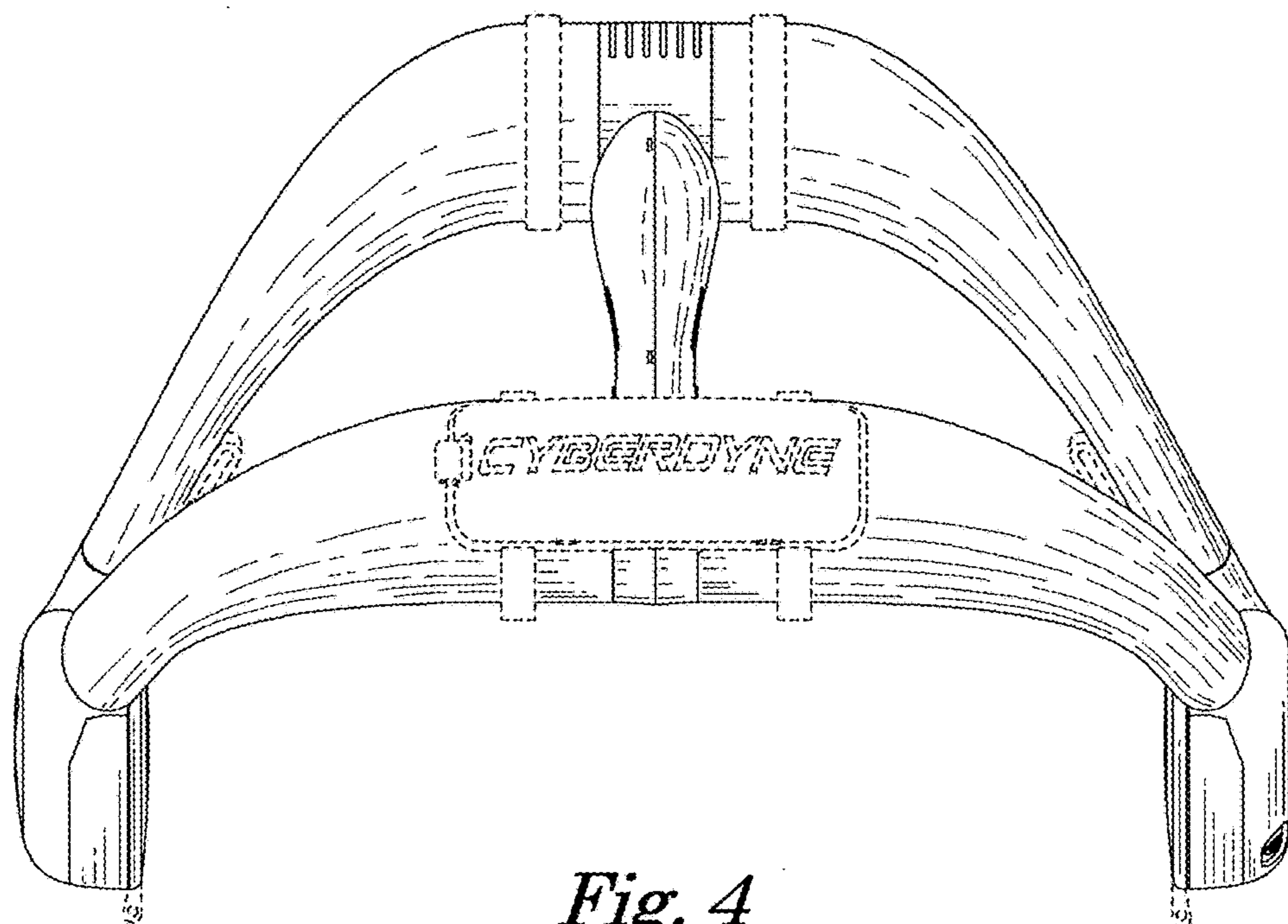


Fig. 4

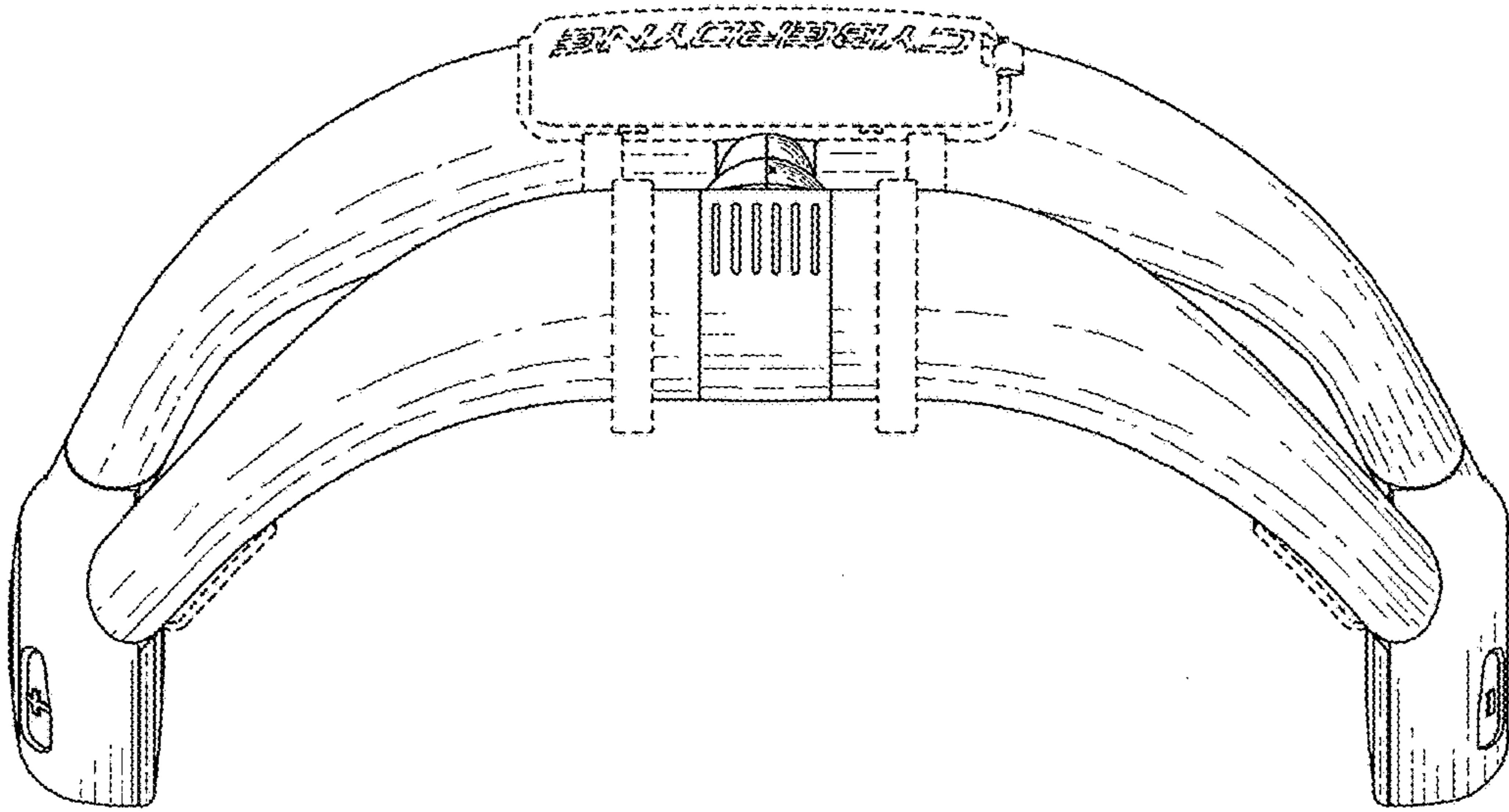


Fig. 5

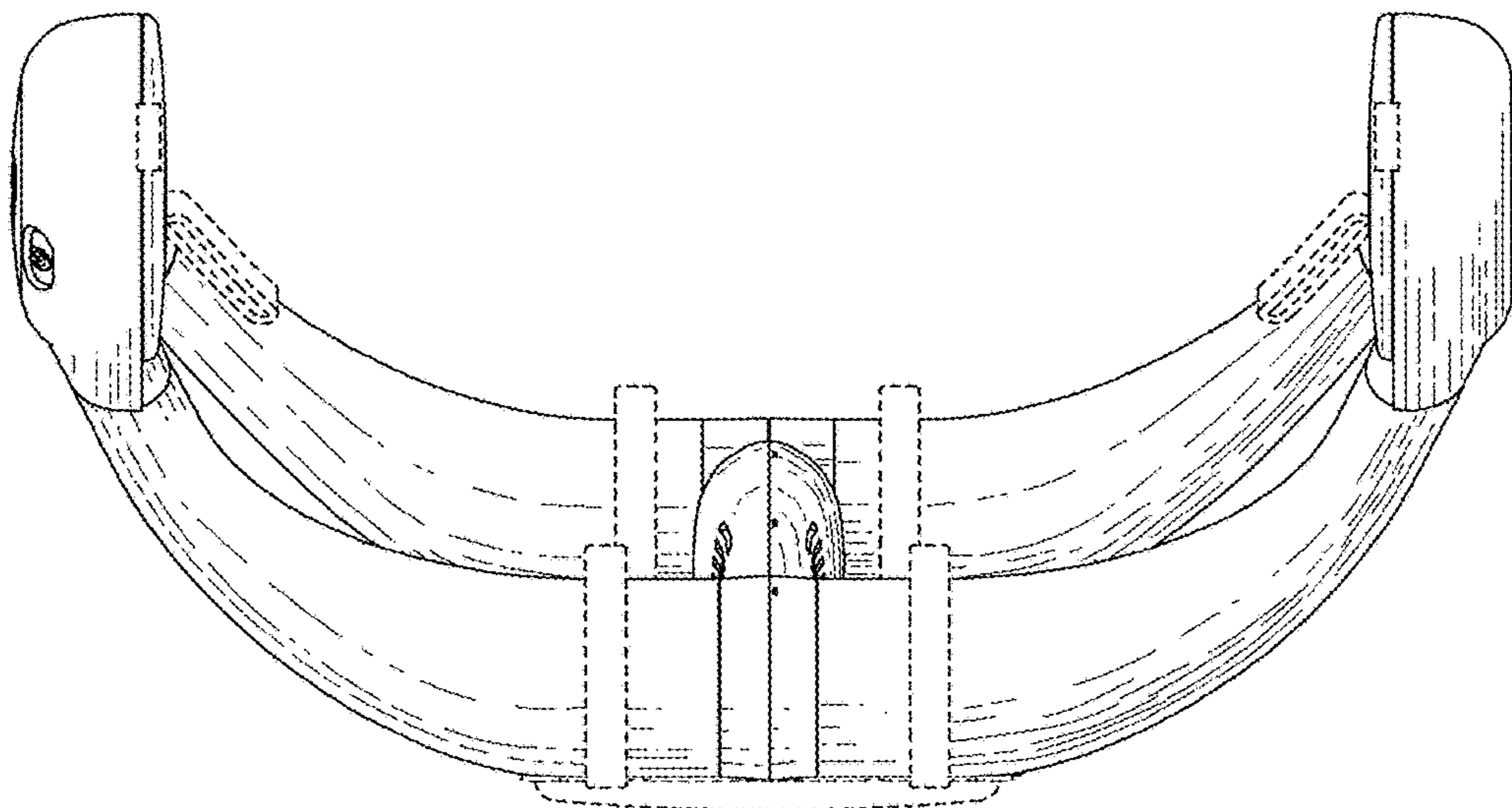


Fig. 6

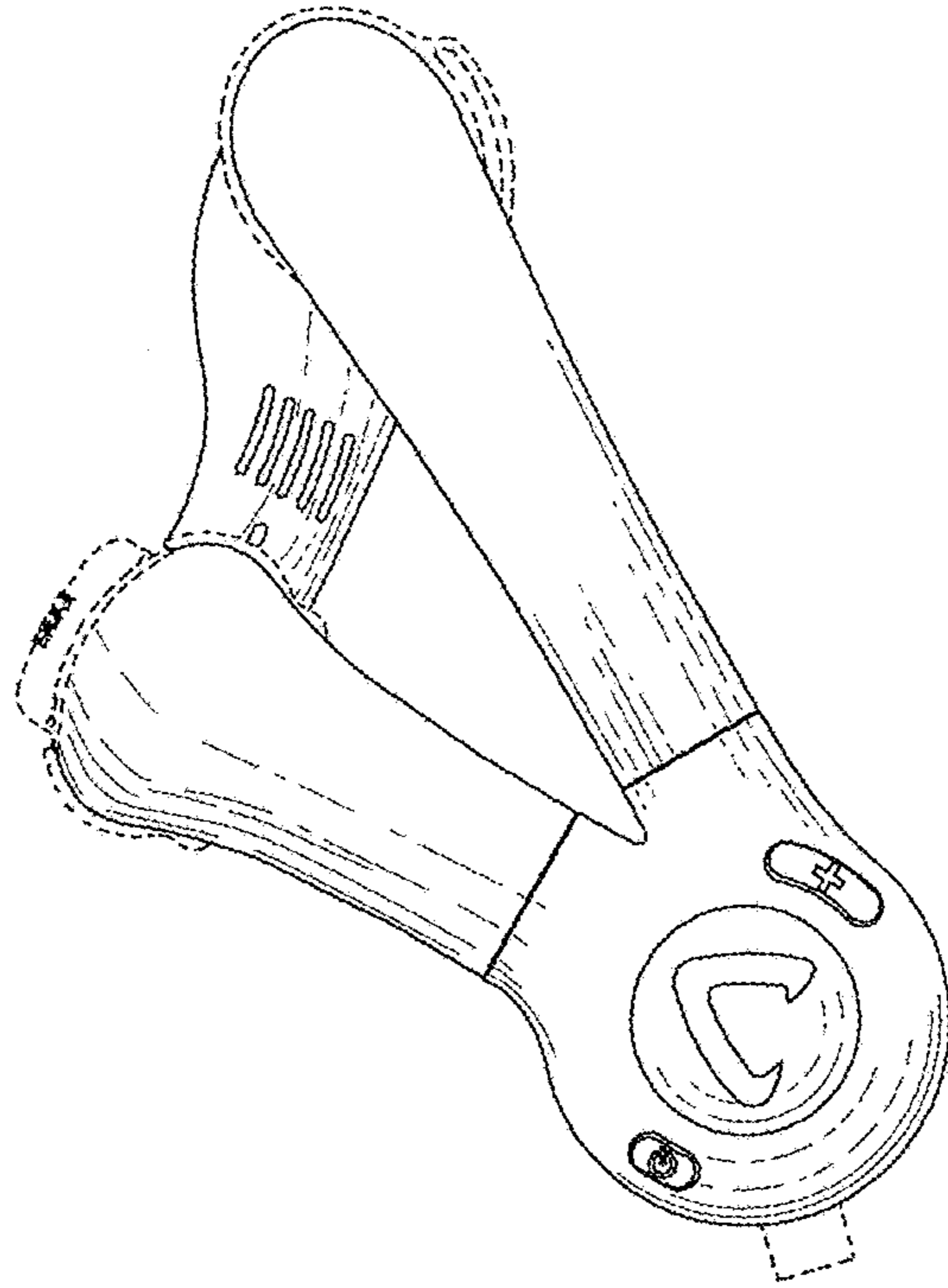


Fig. 7

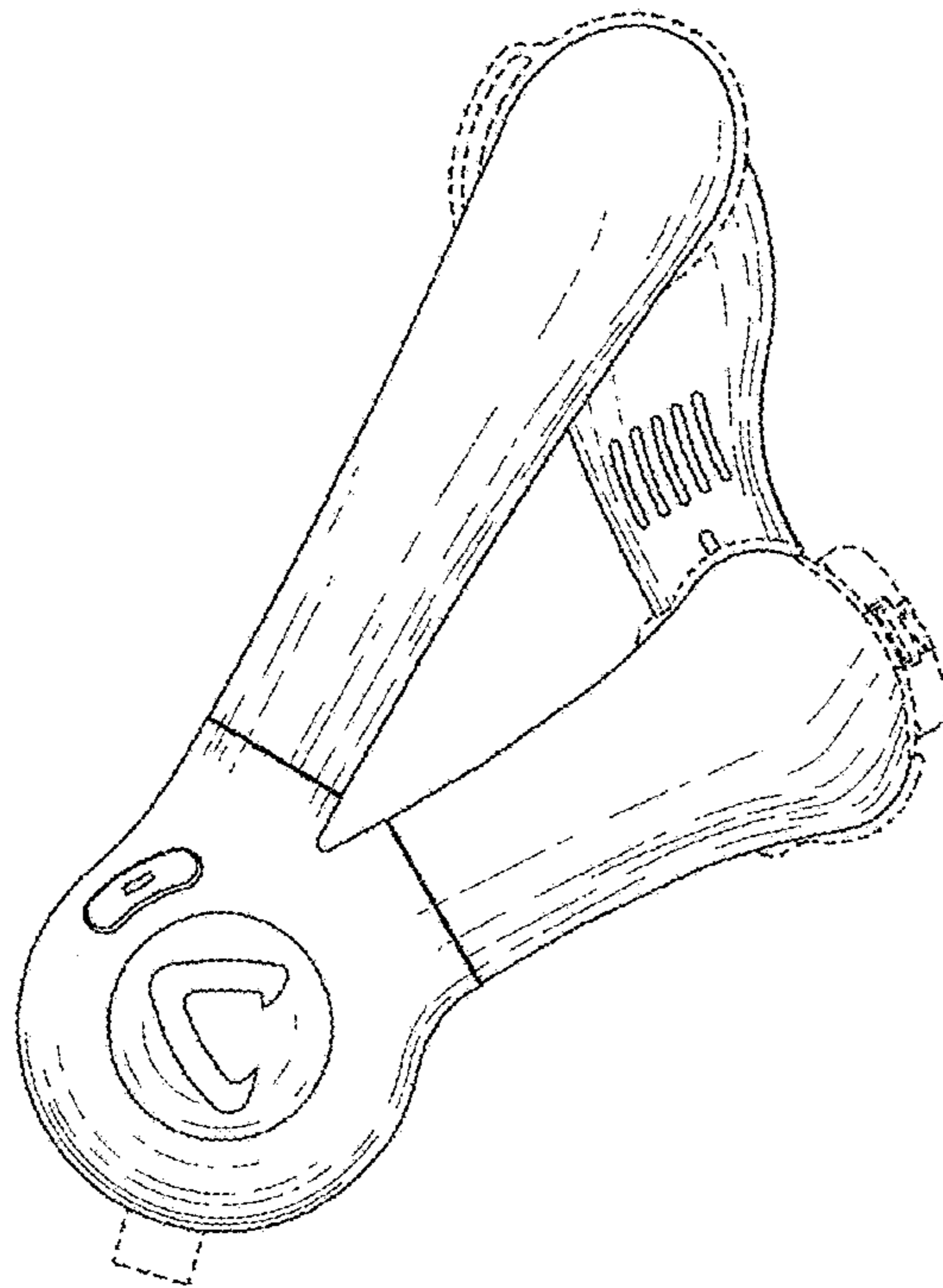


Fig. 8

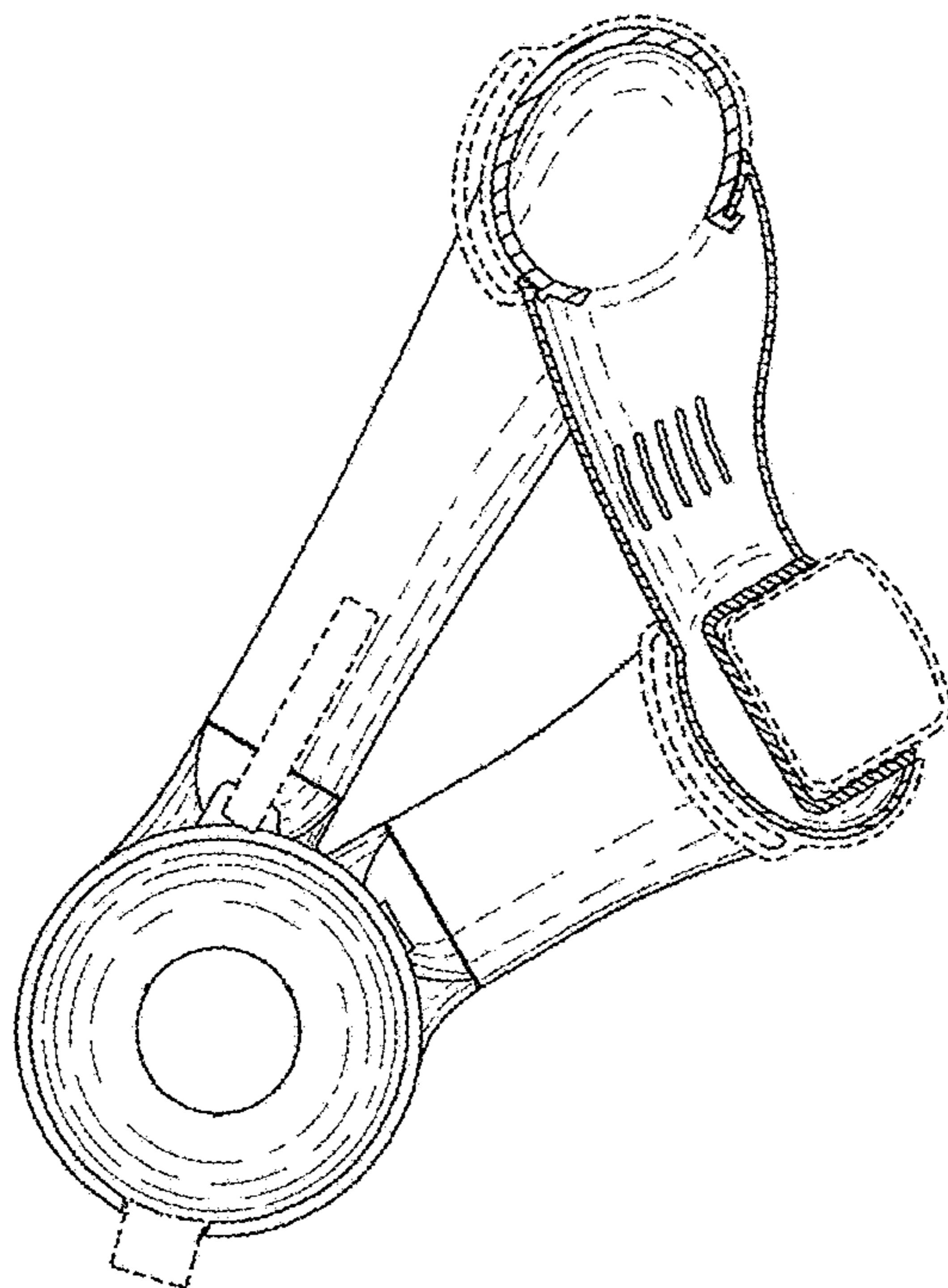


Fig. 9

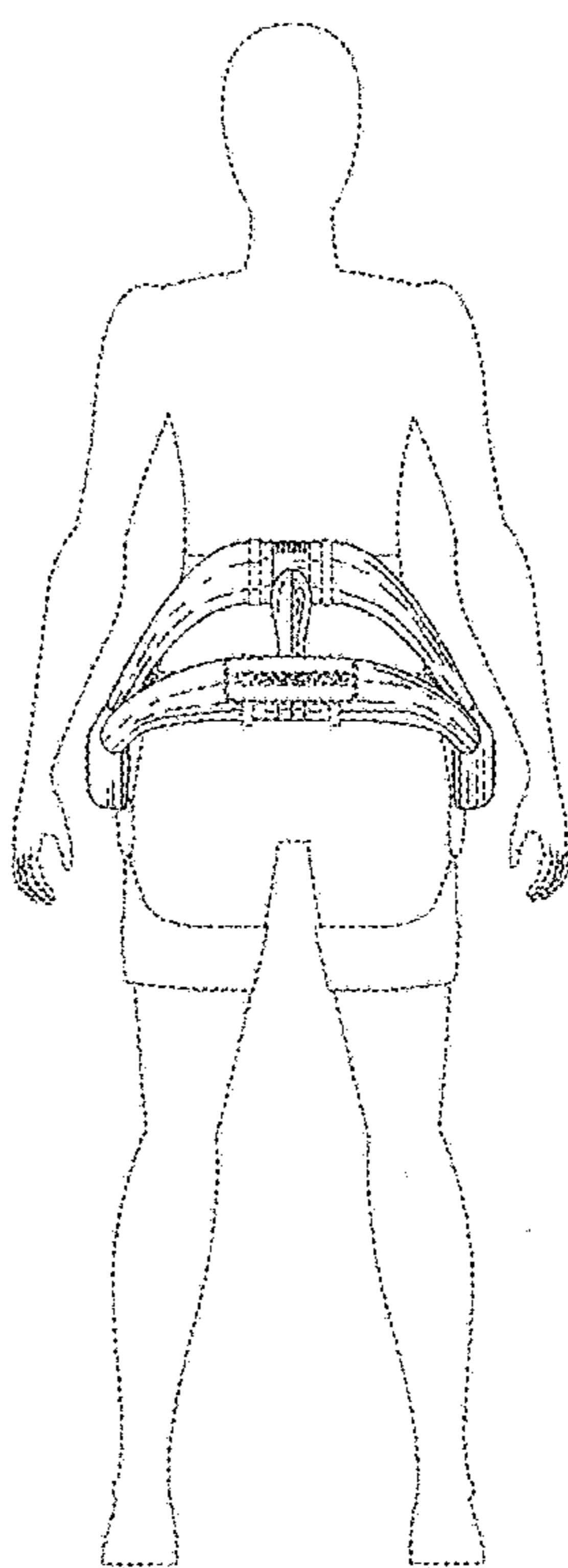


Fig. 10

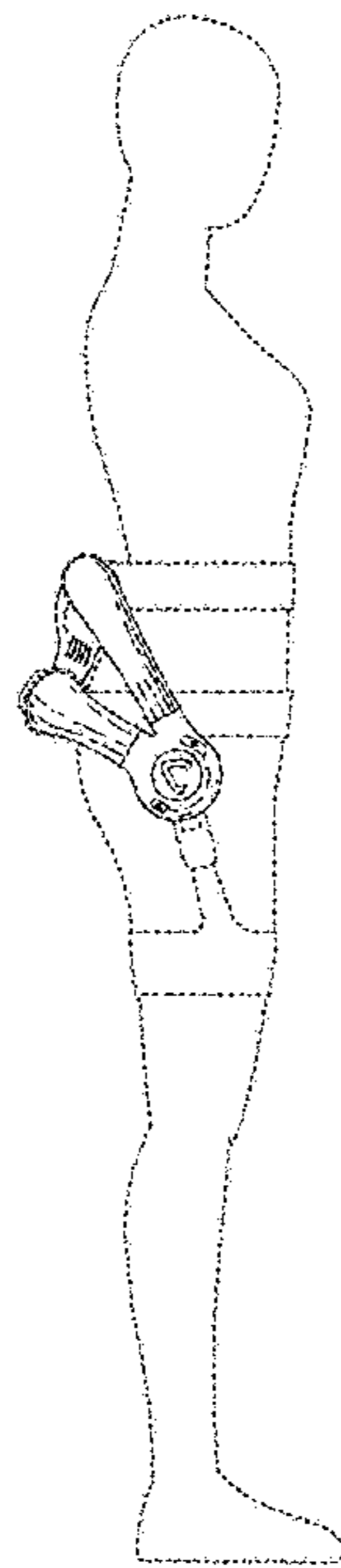


Fig. 11