



US00D786442S

(12) **United States Design Patent** (10) **Patent No.:** **US D786,442 S**
Ogura (45) **Date of Patent:** **** May 9, 2017**

(54) **MEDICAL X-RAY IMAGING APPARATUS**
(71) Applicant: **FUJIFILM CORPORATION**, Tokyo (JP)
(72) Inventor: **Ryosuke Ogura**, Kanagawa (JP)
(73) Assignee: **FUJIFILM Corporation**, Tokyo (JP)
(**) Term: **15 Years**

(21) Appl. No.: **29/565,866**
(22) Filed: **May 25, 2016**

(30) **Foreign Application Priority Data**

Nov. 27, 2015 (JP) 2015-026553

(51) **LOC (10) Cl.** **24-01**

(52) **U.S. Cl.**
USPC **D24/158**

(58) **Field of Classification Search**
USPC D24/158-161, 186, 107, 185; D14/371,
D14/375, 376, 377, 126, 129, 448, 451,
D14/452

CPC .. A61B 5/05; A61B 5/055; A61B 6/03; A61B
6/035; A61B 6/4405; A61B 6/4411; A61B
6/4435; A61B 6/4441; A61B 6/4447;
G06F 1/1601; H05K 5/0204

See application file for complete search history.

(56) **References Cited**

U.S. PATENT DOCUMENTS

D509,826 S *	9/2005	Jobs	D14/371
D546,459 S *	7/2007	Banryu	D24/186
D558,350 S *	12/2007	Kitayama	D24/186
D598,917 S *	8/2009	Luber	D14/375
D617,906 S *	6/2010	Nakahara	D24/158
D690,012 S *	9/2013	Yanase	D24/158
D715,440 S *	10/2014	Kim	D24/158

(Continued)

Primary Examiner — Anhdao Doan
(74) *Attorney, Agent, or Firm* — Young & Thompson

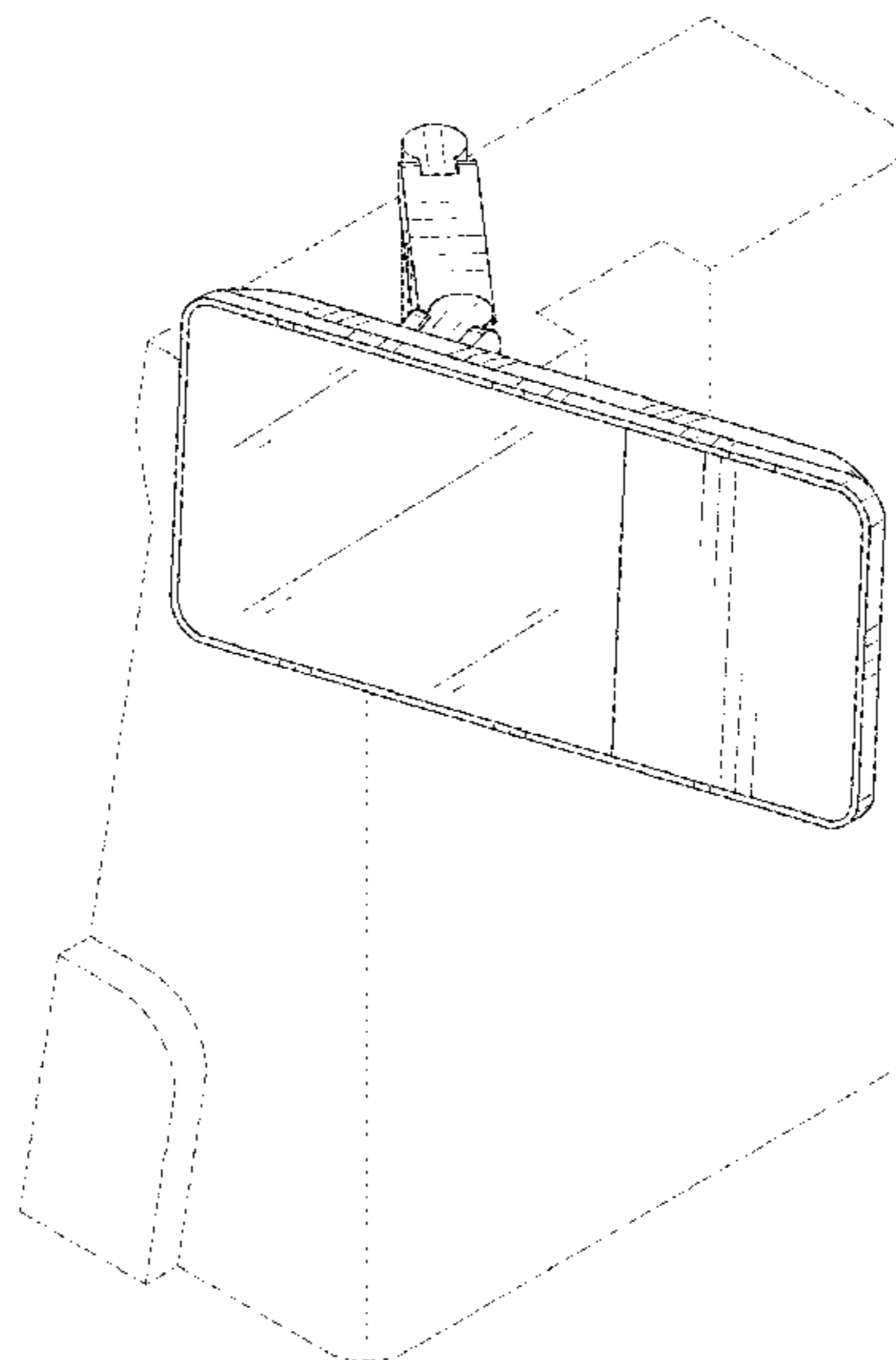
(57) **CLAIM**

The ornamental design for a medical X-ray imaging apparatus, as shown and described.

DESCRIPTION

FIG. 1 is a top, front and left side perspective view of a medical X-ray imaging apparatus showing my new design; FIG. 2 is a top, rear and left side perspective view thereof; FIG. 3 is a front elevational view thereof; FIG. 4 is a rear elevational view thereof; FIG. 5 is a top plan view thereof; FIG. 6 is a bottom plan view thereof; FIG. 7 is a left side elevational view thereof; FIG. 8 is a right side elevational view thereof; FIG. 9 is a front elevational view thereof in a state that the operation panel faces forward upon being rotated about a first rotational axis and a second rotational axis, the first rotational axis being provided between a supporting column and a connecting section and the second rotational axis being provided between the connecting section and the operation panel; FIG. 10 is an enlarged perspective view thereof, in which an X-ray irradiation device and the like are omitted; FIG. 11 is an enlarged perspective view thereof in a state that the operation panel faces forward upon being rotated about the first rotational axis and the second rotational axis; FIG. 12 is a top, rear and left side perspective view thereof, showing a state that an electronic cassette is put in a housing section disposed at the back of a main body; and, FIG. 13 is an enlarged view of an operation screen provided to the operation panel in a manner of use. The broken line portions of the X-ray imaging apparatus throughout the drawings are shown to illustrate environment only and form no part of the claimed design.

1 Claim, 13 Drawing Sheets



(56)

References Cited

U.S. PATENT DOCUMENTS

D724,738 S * 3/2015 Dorris D24/158
D735,342 S * 7/2015 Asad D24/185
D769,446 S * 10/2016 Liu D24/158
2008/0164395 A1* 7/2008 Chang F16M 11/105
248/276.1
2014/0233703 A1* 8/2014 Omura A61B 6/4405
378/98
2016/0199013 A1* 7/2016 Moreno Vallejo ... A61B 6/4405
378/194

* cited by examiner

FIG. 1

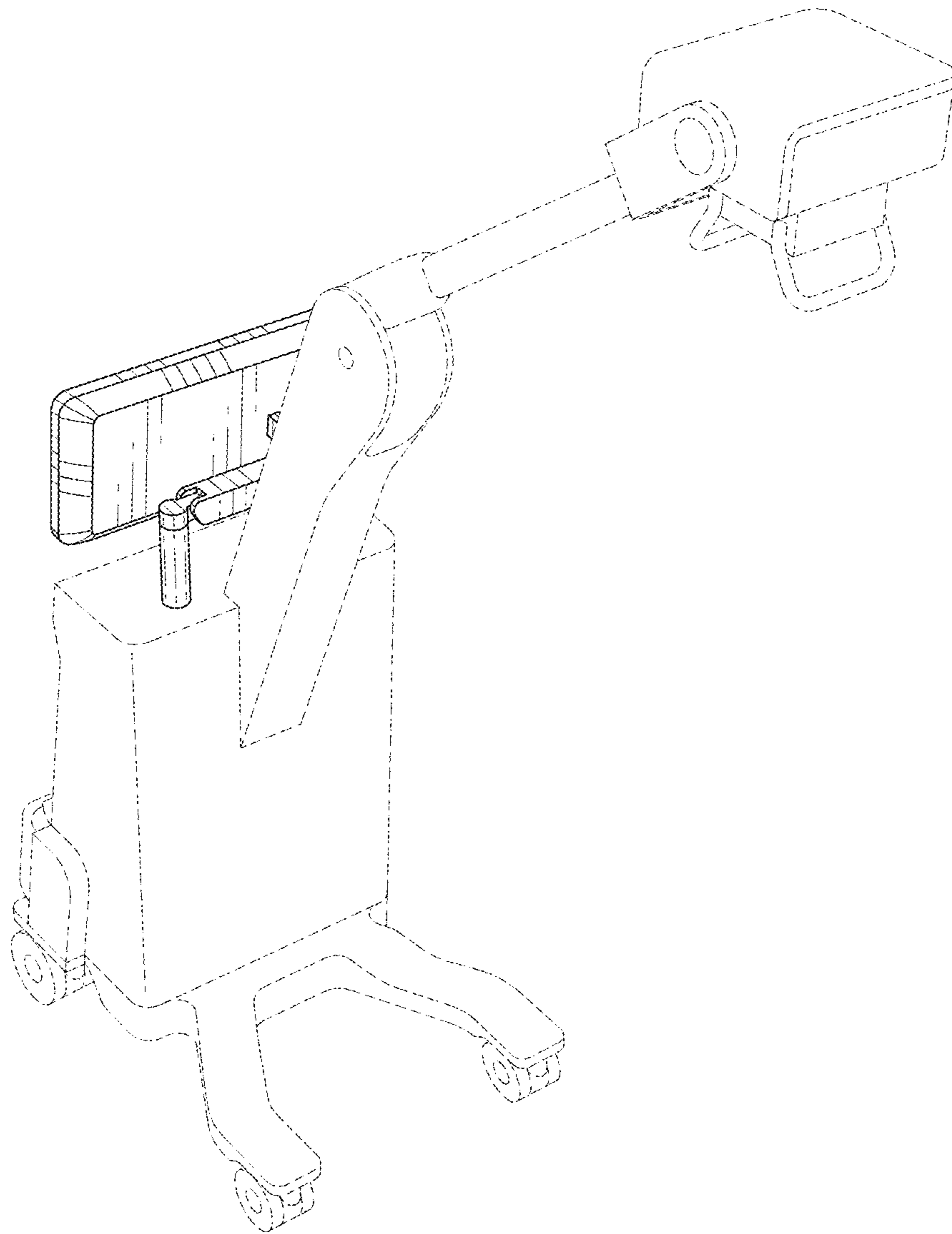


FIG. 2

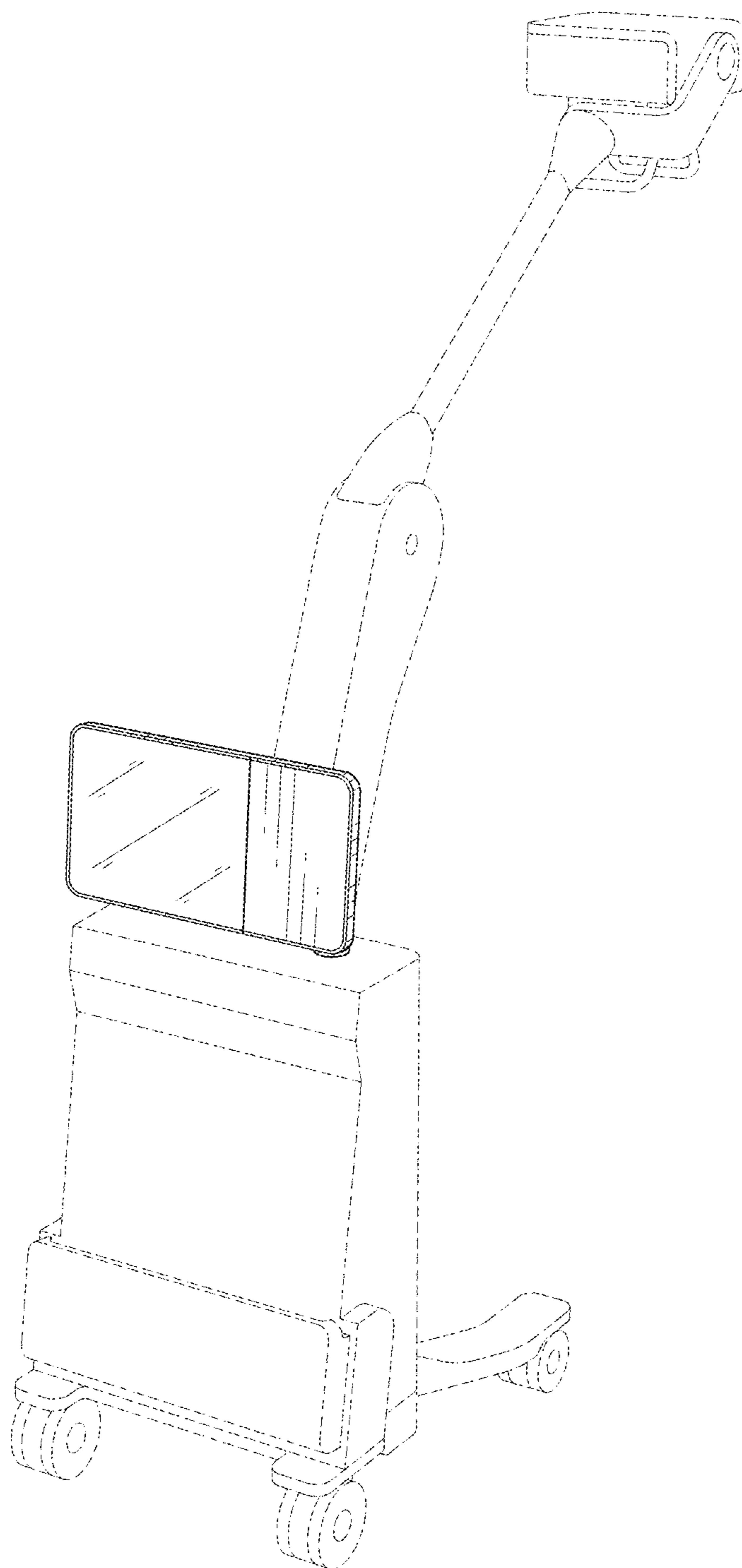


FIG. 3

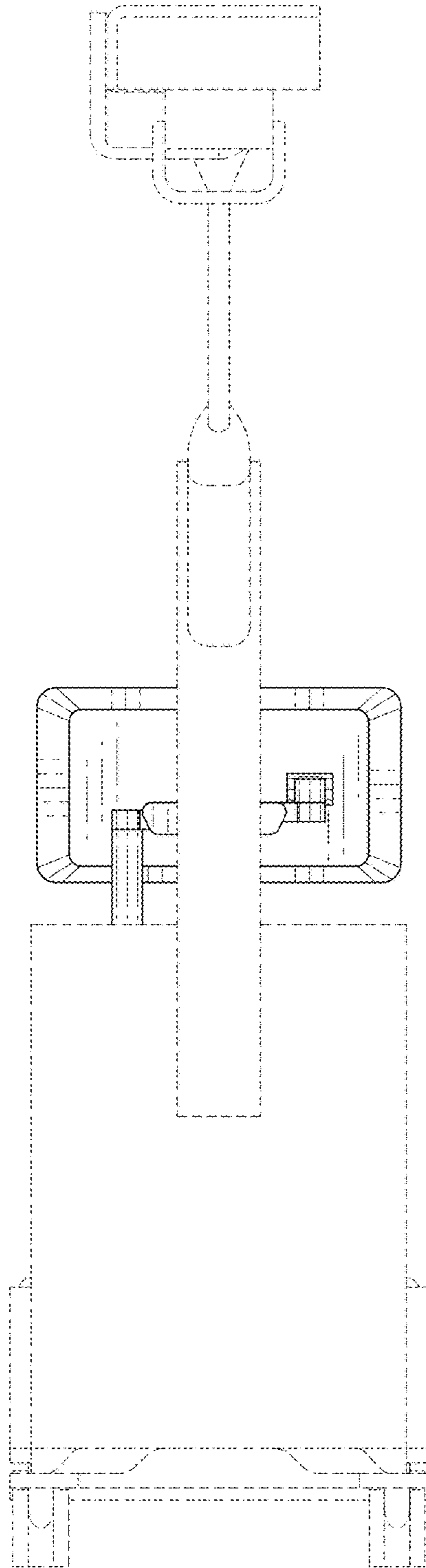


FIG. 4

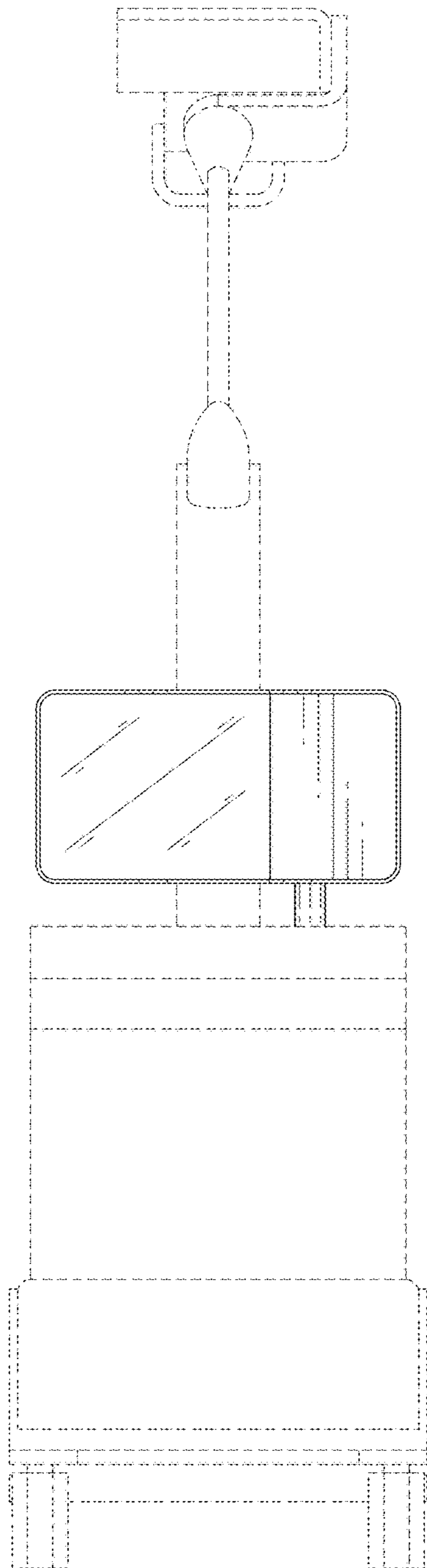


FIG. 5

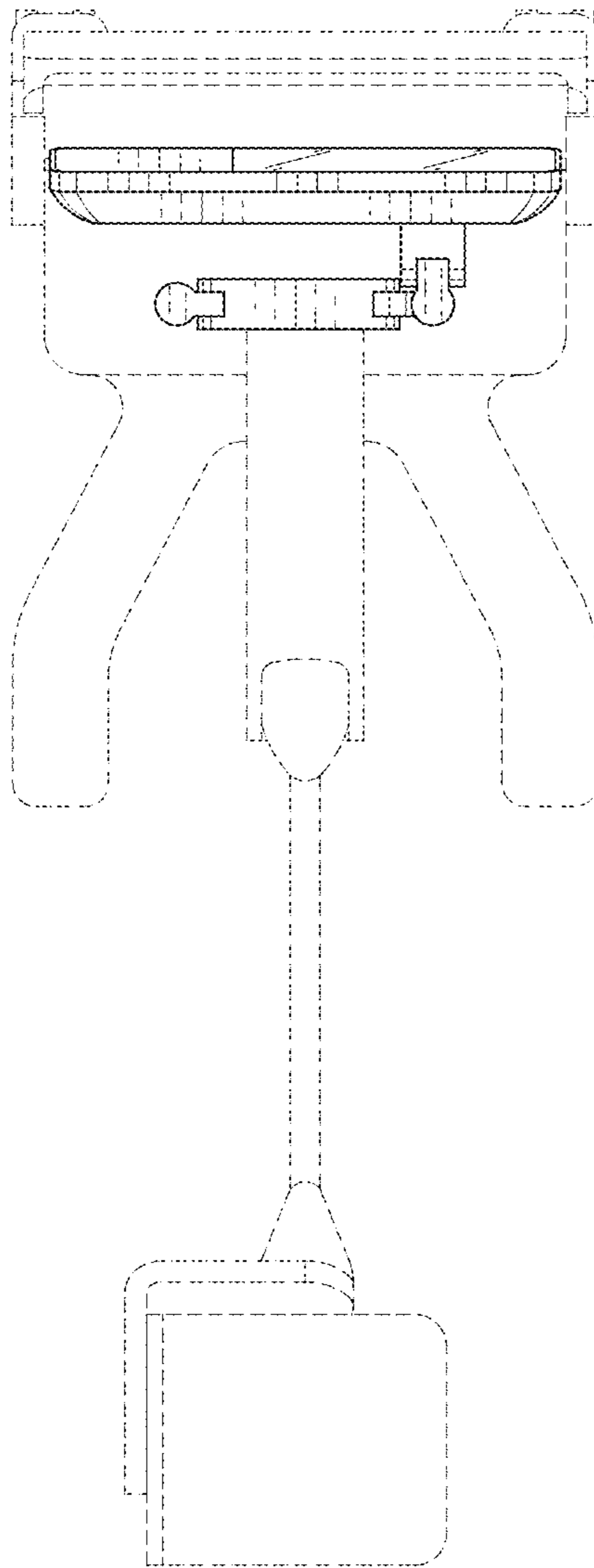


FIG. 6

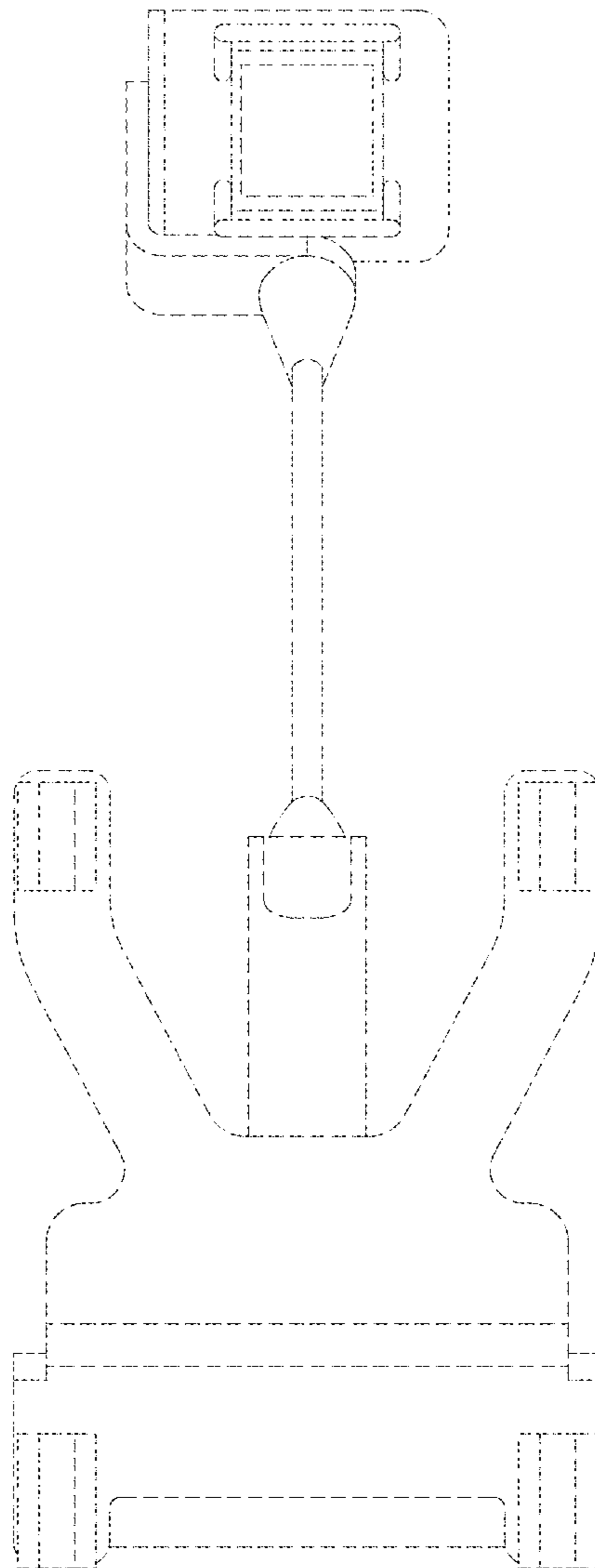


FIG. 7

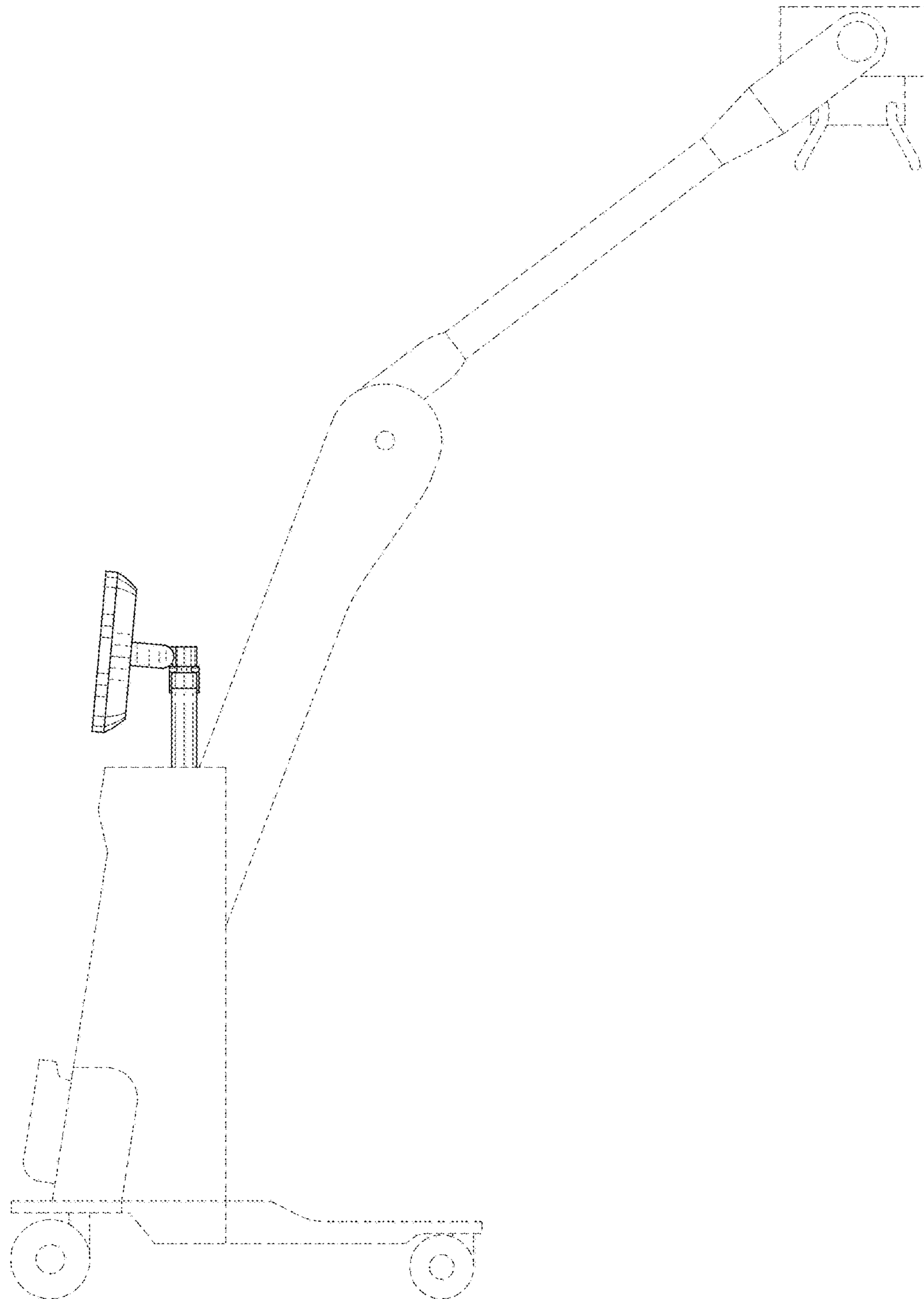


FIG. 8

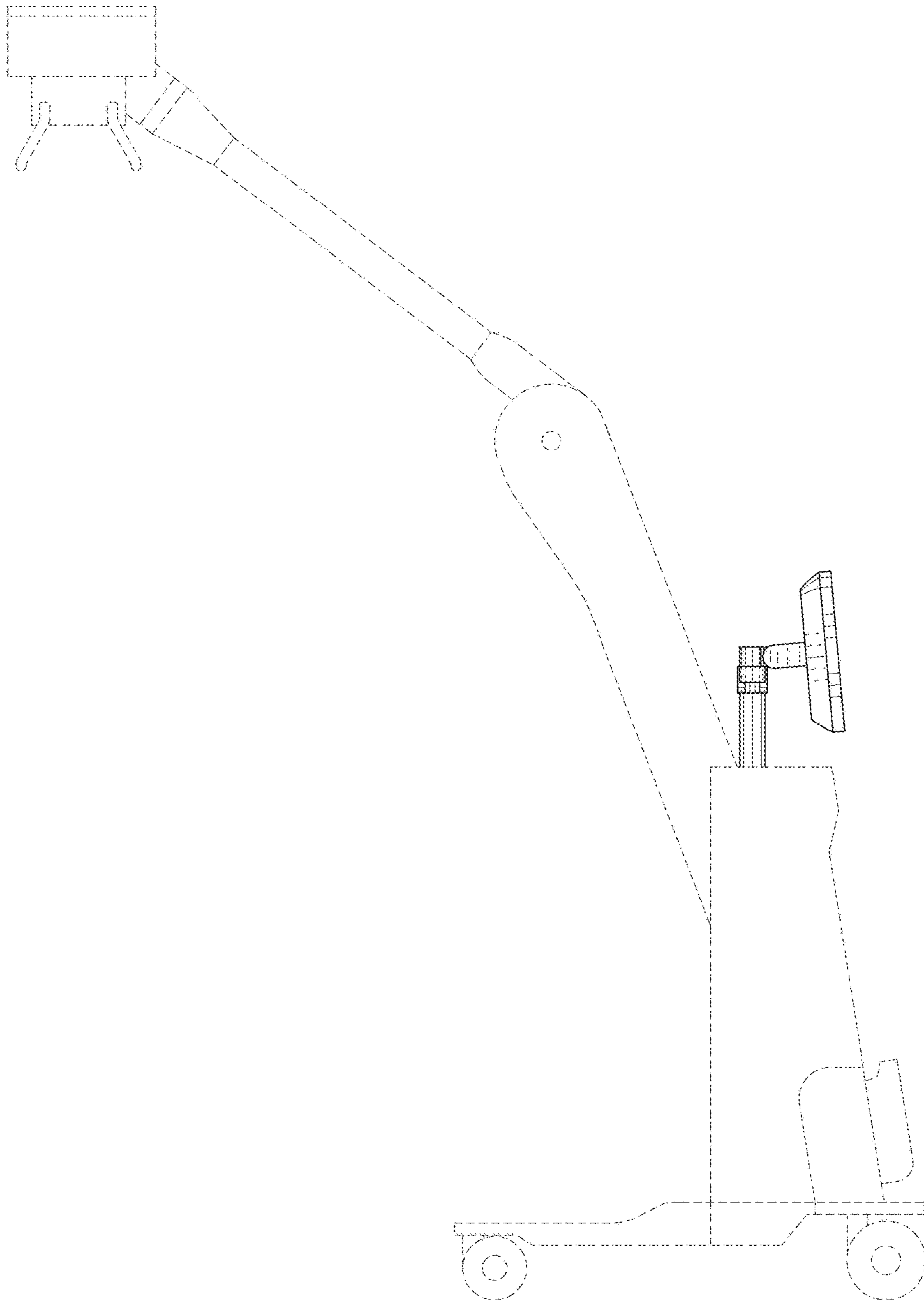


FIG. 9

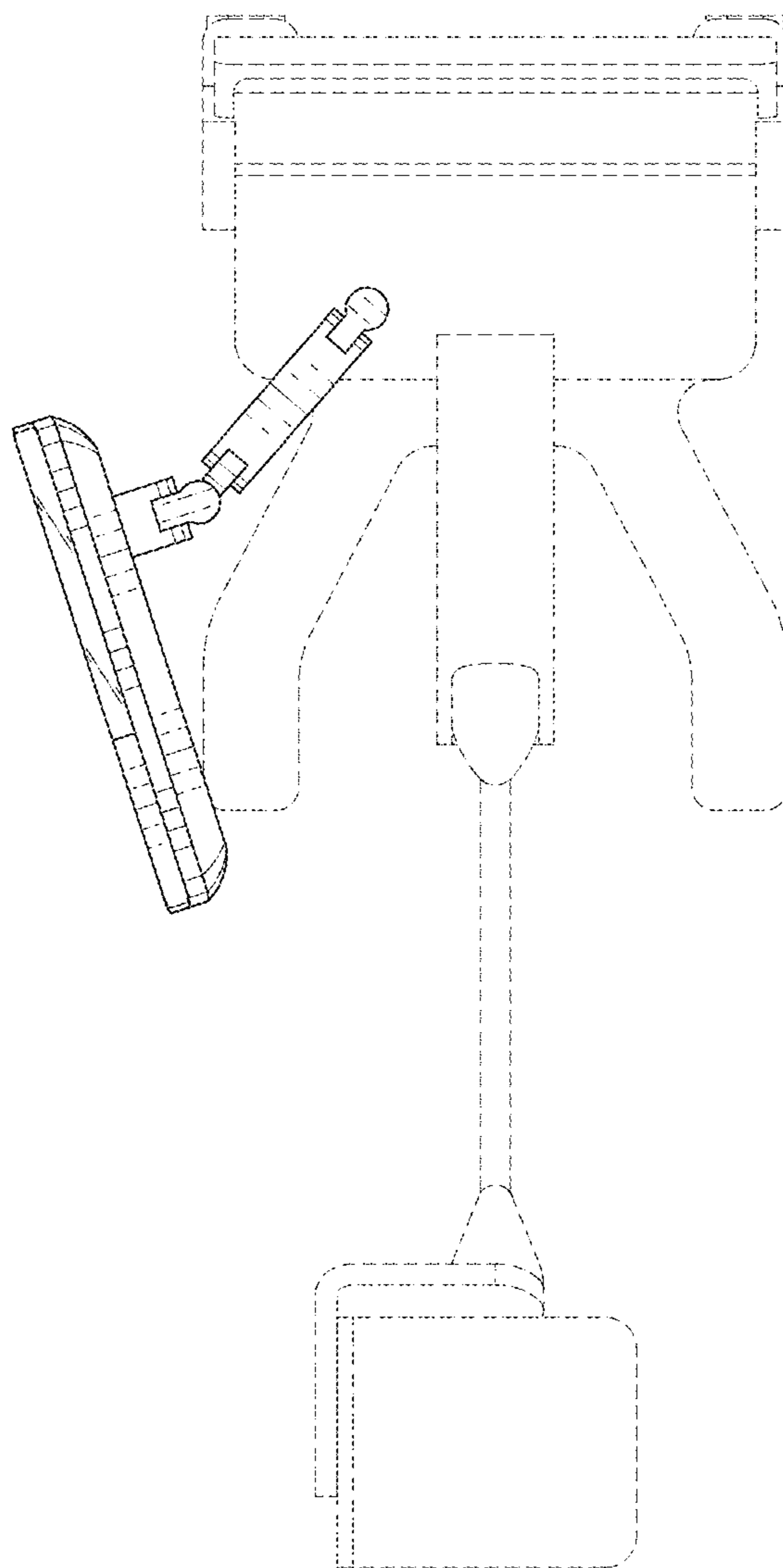


FIG. 10

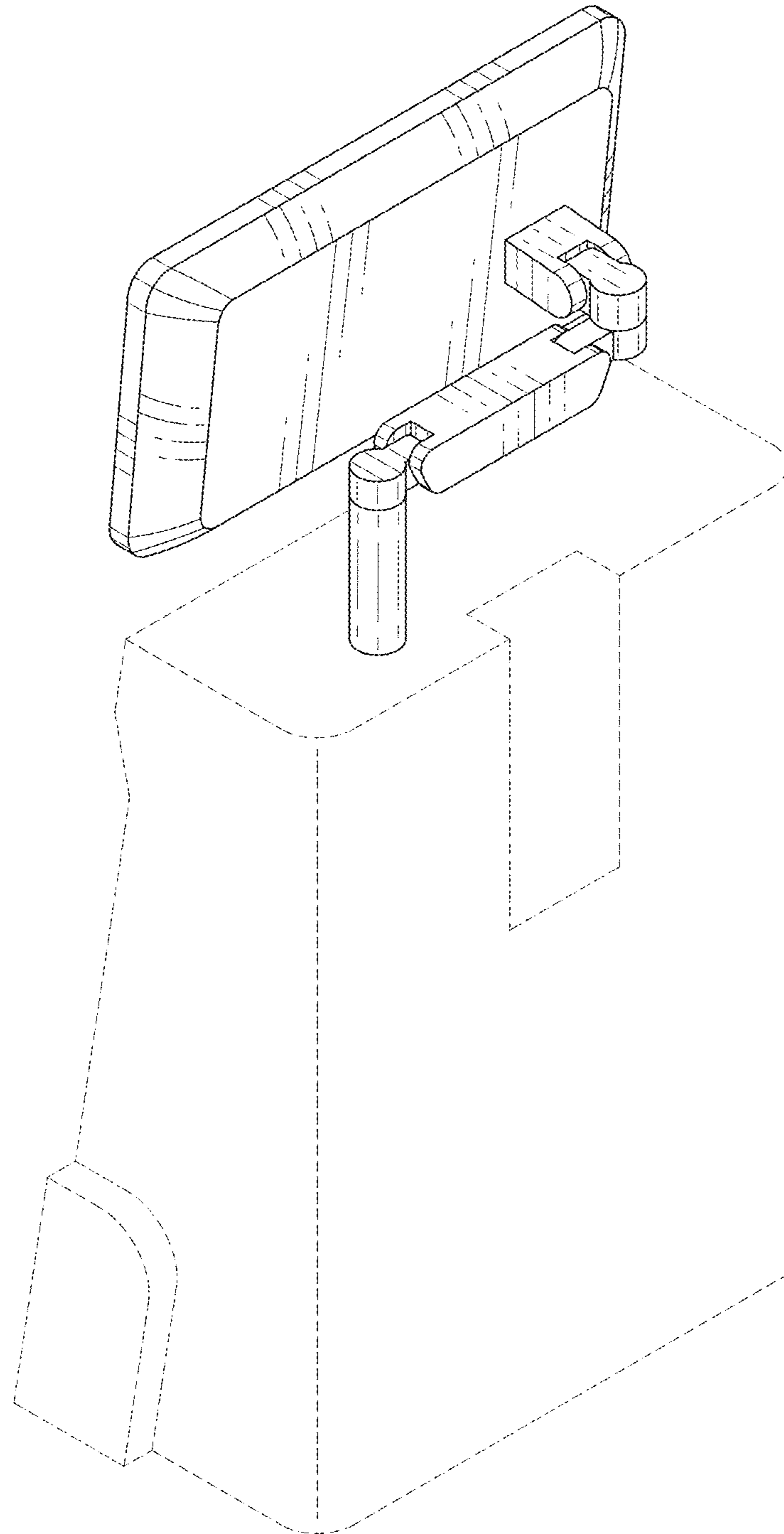


FIG. 11

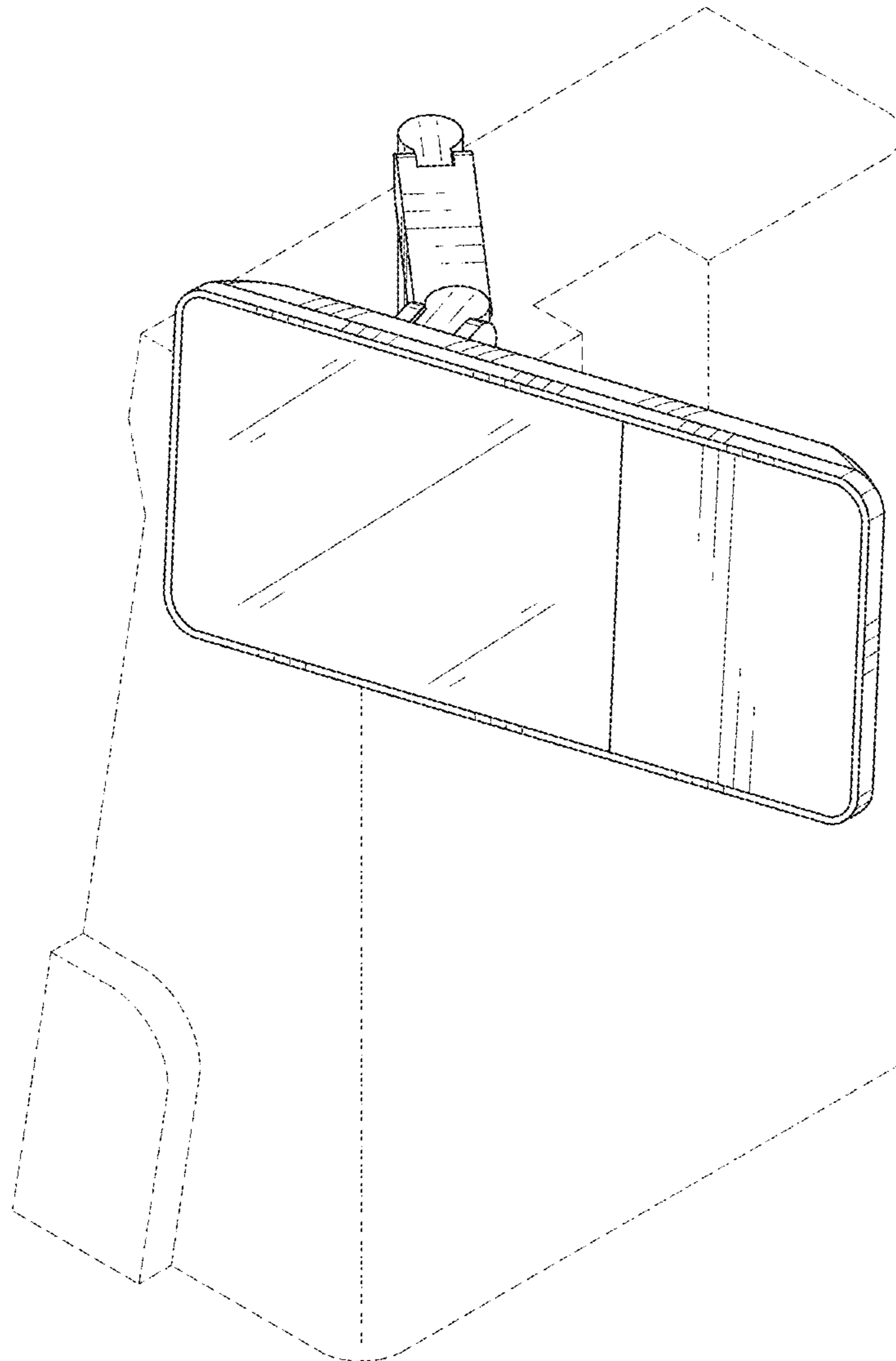


FIG. 12

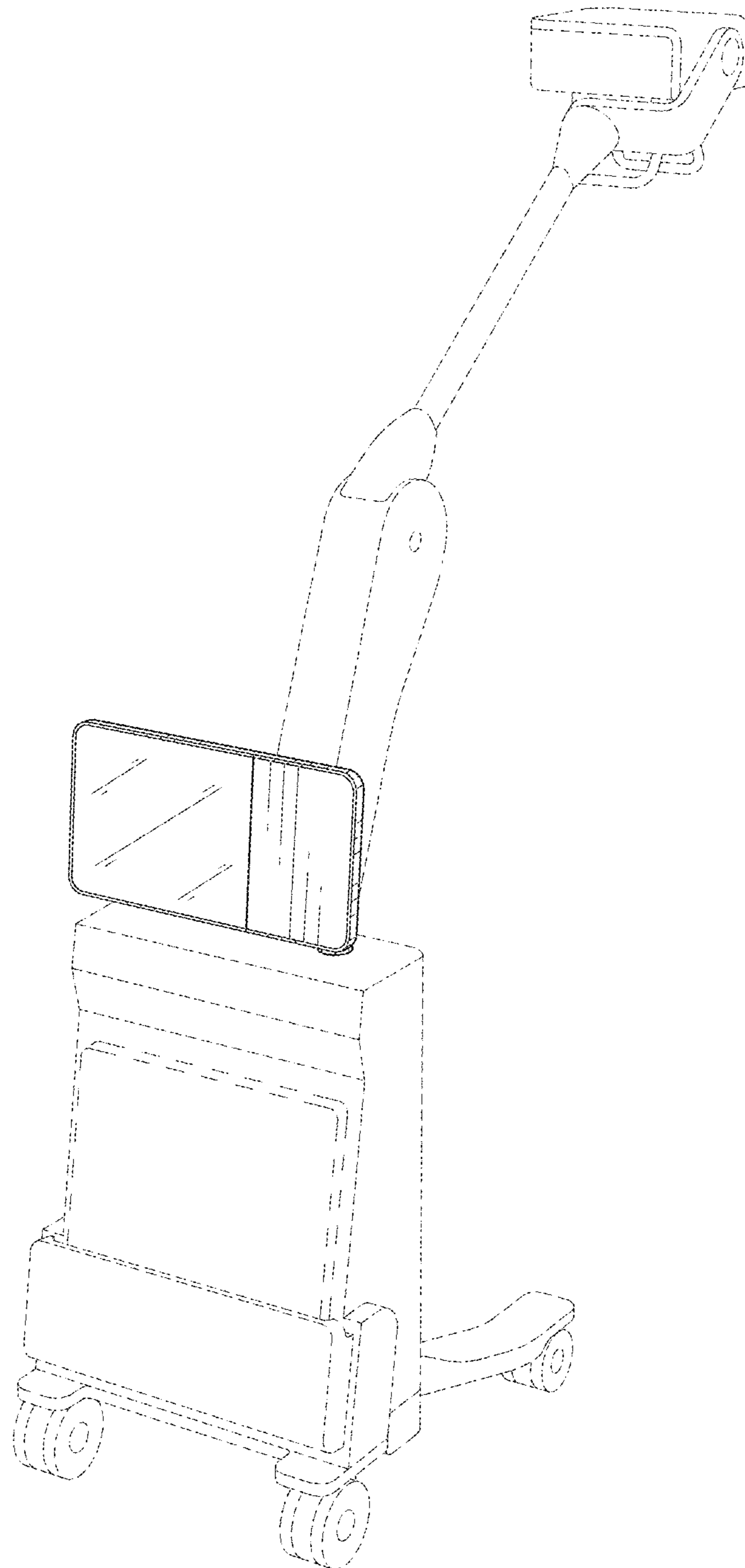


FIG. 13

